

FXT. TYPE	DESCRIPTION	LAMPS		BALLAST	VOLTAGE	MANUFACTURER	CATALOG NUMBER	REMARKS
		NO.	WATTS					
L1	CEILING RECESSED LINEAR LENSED SLOT FIXTURE	12/FT	Y	UNV	PHINACLUX SELUX	EAM-30HC-X-XX-UNV-1C-W	APPROVED EQUAL	SEE NOTES 1, 2, 3, 4, 5, 6
L2	CEILING RECESSED LINEAR WALL WASH FIXTURE	10/FT	Y	UNV	PHINACLUX SELUX	EAM-30HC-X-XX-UNV-1C-W	APPROVED EQUAL	
L3	CEILING RECESSED LINEAR WALL WASH FIXTURE	10/FT	Y	UNV	PHINACLUX SELUX	EAM-30HC-X-XX-UNV-1C-W	APPROVED EQUAL	
P1	CEILING LINEAR DIRECT/INDIRECT PENDANT FIXTURE	22/FT	Y	UNV	PHINACLUX SELUX	EAM-30HC-X-XX-UNV-1C-W	APPROVED EQUAL	
P2	CEILING LINEAR DIRECT/INDIRECT PENDANT FIXTURE	22/FT	Y	UNV	PHINACLUX SELUX	EAM-30HC-X-XX-UNV-1C-W	APPROVED EQUAL	
P3	CEILING CIRCULAR PENDANT FIXTURE	190	Y	UNV	PHINACLUX SELUX	EAM-30HC-X-XX-UNV-1C-W	APPROVED EQUAL	CUSTOM COLOR BY ARCHITECT
R1	CEILING RECESSED SQUARE DOWNLIGHT	22	Y	277	WILLIAMS KURT VERSEN	LED5045-0520-830-EDDYS-277	APPROVED EQUAL	CUSTOM COLOR BY ARCHITECT
R2	CEILING RECESSED LENSED 1'x4' FIXTURE	47	Y	UNV	EDSON PRICE LOUIS POLISEN	LED5045-0520-830-EDDYS-277	APPROVED EQUAL	CUSTOM COLOR BY ARCHITECT
R3	CEILING RECESSED ADJUSTABLE ACENT CORRIDOR SIGNAGE	18.5	Y	UNV	INTER-LUX/WHITEGOODS KURT VERSEN	MC-8150SRG-X1830-1420-UNV-S-FR	APPROVED EQUAL	CUSTOM COLOR BY ARCHITECT
UC	SERVERS UNITS/USERS CABINET FIXTURE WITH INTERAREA OCCUPANCY SENSOR	14/FT	Y	UNV	TECH LIGHTING COLOR KINETICS	7000CTM-X-3-3-W-LED-CSS	APPROVED EQUAL	COORDINATE ARROW DIRECTIONS WITH FLOOR PLANS
Ⓢ	EDGE-LIT LED EXIT SIGN	2	Y	UNV	PHILIPS ISOLUTE	SOV-AC-R-1C/2M-BA-PX-XX	APPROVED EQUAL	

LIGHTING FIXTURE SCHEDULE NOTES:
1. COORDINATE ALL FIXTURE FINISH COLORS WITH ARCHITECT PRIOR TO BID.
2. COORDINATE COLOR AND TEMPERATURE OF ALL LAMPS WITH ARCHITECT.
3. COORDINATE FIXTURE LENGTH AND SPACING WITH ARCHITECT. ALL FIXTURES TO BE INSTALLED WITH THE SAME FINISH AND COORDINATE FIXTURE LENGTH AND SPACING WITH ARCHITECT. ALL FIXTURES TO BE INSTALLED WITH THE SAME FINISH AND COORDINATE FIXTURE LENGTH AND SPACING WITH ARCHITECT.
4. TO BE CONSIDERED AN "APPROVED EQUAL" FIXTURE SPECIFICATIONS SHALL MATCH BASIS OF DESIGN.
5. FIXTURE CHARACTERISTICS (LUMEN OUTPUT, WATTAGE, DIMENSIONS, CONSTRUCTION MATERIALS, ETC.)
6. COORDINATE FIXTURE MOUNTING TYPE (GRID/PLANE WITH CEILING TYPE WHERE INSTALLED).

RECEPTACLE SCHEDULE WITH ELECTRICAL SERVICE REQUIREMENTS-NON TWIST LOCK TYPE

TYPE CLASS	NEMA CLASS	RATING OF RECEPTACLES	MANUFACTURER CATALOG No.		SERVICE FROM POWER DISTRIBUTION UNITS				REMARKS
			HUBBELL LEVITON	OR APPROVED AS EQUIVALENT	FRAME (AMPS)	TRIP (AMPS)	POLES	FEEDER DATA	
A	5-20R	125V, 2P, 3W, W/ GROUND - 20A	HLB381	5381	100	20	1	2#12 & 1#12G - 3/4" C	
B	5-30R	125V, 2P, 3W, W/ GROUND - 30A	HLB380	5371	100	30	1	2#10 & 1#10G - 3/4" C	
C	5-50R	125V, 2P, 3W, W/ GROUND - 50A	HLB380	5373	100	50	1	2#8 & 1#8G - 3/4" C	
D	6-20R	250V, 2P, 3W, W/ GROUND - 20A	HLB481	5461	100	20	2	2#12 & 1#12G - 3/4" C	
E	6-30R	250V, 2P, 3W, W/ GROUND - 30A	HLB481	5372	100	30	2	2#10 & 1#10G - 3/4" C	
F	6-50R	250V, 2P, 3W, W/ GROUND - 50A	HLB481	5374	100	50	2	2#8 & 1#8G - 3/4" C	
G	14-20R	125/250V, 3P, 4W W/ GROUND-20A	HLB4810	-	100	20	2	2#12 & 1#12G - 3/4" C	
H	14-30R	125/250V, 3P, 4W W/ GROUND-30A	HLB4810A	278	100	30	2	2#10 & 1#10G - 3/4" C	
J	14-50R	125/250V, 3P, 4W W/ GROUND-50A	HLB4810A	279	100	50	2	2#8 & 1#8G - 1" C	
K	15-20R	250V, 3P, 3W, W/ GROUND-20A	HLB4820A	8460A	100	20	3	2#12 & 1#12G - 3/4" C	
L	15-30R	250V, 3P, 3W, W/ GROUND-30A	HLB4820A	-	100	30	3	2#10 & 1#10G - 3/4" C	
M	15-50R	250V, 3P, 3W, W/ GROUND-50A	HLB4820A	8450A	100	50	3	2#8 & 1#8G - 1" C	
N	15-50R	250V, 3P, 3W, W/ GROUND-50A	HLB4820A	8450A	100	50	3	2#12 & 1#12G - 3/4" C	
P	15-50R	250V, 3P, 3W, W/ GROUND-50A	HLB4820A	8460A	100	60	3	2#8 & 1#8G - 1" C	

RECEPTACLE SCHEDULE WITH ELECTRICAL SERVICE REQUIREMENTS-TWIST LOCK TYPE

TYPE CLASS	NEMA CLASS	RATING OF RECEPTACLES	MANUFACTURER CATALOG No.		SERVICE FROM POWER DISTRIBUTION UNITS				REMARKS
			HUBBELL LEVITON	OR APPROVED AS EQUIVALENT	FRAME (AMPS)	TRIP (AMPS)	POLES	FEEDER DATA	
AA	15-20R	125V, 2P, 3W, W/ GROUND - 20A	HLB210	2310	100	20	1	2#12 & 1#12G - 3/4" C	
BB	15-30R	125V, 2P, 3W, W/ GROUND - 30A	HLB210	2610	100	30	1	2#10 & 1#10G - 3/4" C	
CC	15-50R	125V, 2P, 3W, W/ GROUND - 50A	HLB210	2320	100	50	1	2#8 & 1#8G - 3/4" C	
DD	16-20R	250V, 2P, 3W, W/ GROUND - 20A	HLB220	2410	100	20	2	2#12 & 1#12G - 3/4" C	
EE	16-30R	250V, 2P, 3W, W/ GROUND - 30A	HLB220	2710	100	30	2	2#10 & 1#10G - 3/4" C	
FF	16-50R	250V, 2P, 3W, W/ GROUND - 50A	HLB220	2710	100	50	2	2#8 & 1#8G - 3/4" C	
GG	115-20R	125/250V, 3P, 4W W/ GROUND-20A	HLB220	2420	100	20	3	2#12 & 1#12G - 3/4" C	
HH	115-30R	125/250V, 3P, 4W W/ GROUND-30A	HLB220	2720	100	30	3	2#10 & 1#10G - 3/4" C	
JJ	121-20R	120/208V, 3P, 4P, 5W W/ GROUND-20A	HLB210	2510	100	20	3	2#12 & 1#12G - 3/4" C	
KK	121-30R	120/208V, 3P, 4P, 5W W/ GROUND-30A	HLB210	2810	100	30	3	2#10 & 1#10G - 3/4" C	

TRANSFORMER SCHEDULE

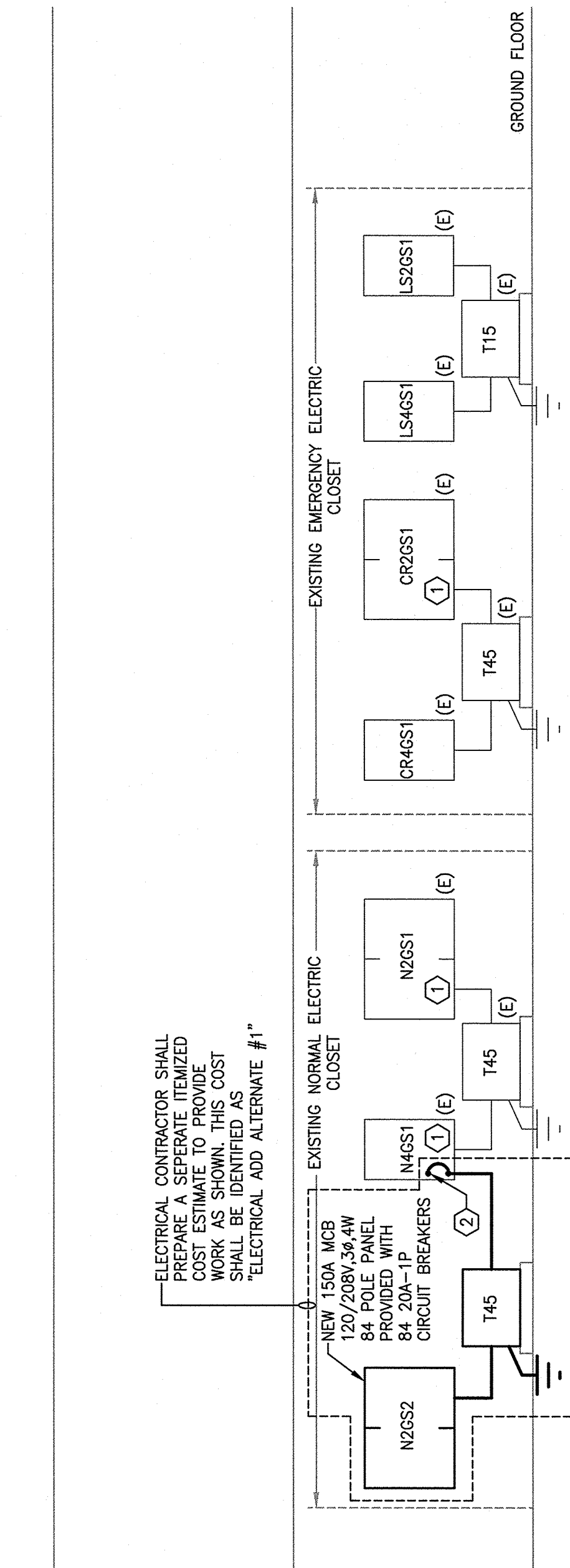
No.	KVA	PHASE	PRIMARY			SECONDARY			SYSTEM GROUND & BOND			
			VOLT	AMPS	C.B.	VOLT	AMPS	C.B.				
T9	9	3	480	11	20A-3P	(3)#12 & (1)#10-3/4" C	208	25	30A-3P	(0)#10 & (1)#8-3/4" C	NO	(1)#8-3/4" C
T15	15	3	480	16	30A-3P	(3)#12 & (1)#10-3/4" C	208	42	50A-3P	(0)#8 & (1)#6-1" C	NO	(1)#6-3/4" C
T30	30	3	480	36	60A-3P	(3)#12 & (1)#10-3/4" C	208	83	100A-3P	(0)#6-1 1/2" C	NO	(1)#6-3/4" C
T45	45	3	480	54	80A-3P	(3)#12 & (1)#10-3/4" C	208	125	150A-3P	(0)#6-2" C	NO	(1)#6-3/4" C
T75	75	3	480	90	150A-3P	(3)#12 & (1)#10-3/4" C	208	208	250A-3P	(0)#6-3" C	NO	(1)#6-3/4" C
T12	112.5	3	480	135	250A-3P	(3)#12 & (1)#10-3/4" C	208	313	400A-3P	(0)#6-4" C	NO	(1)#6-3/4" C
T25	150	3	480	180	300A-3P	(3)#12 & (1)#10-3/4" C	208	417	500A-3P	(0)#6-5" C	NO	(1)#6-3/4" C
T22	225	3	480	270	400A-3P	(3)#12 & (1)#10-3/4" C	208	625	800A-3P	(0)#6-6" C	NO	(1)#6-3/4" C
T300	300	3	480	360	600A-3P	(3)#12 & (1)#10-3/4" C	208	834	1000A-3P	(0)#6-8" C	NO	(1)#6-3/4" C
T500	500	3	480	600	1000A-3P	(3)#12 & (1)#10-3/4" C	208	1400	1600A-3P	(0)#6-10" C	NO	(1)#6-3/4" C

NOTES:
1. THE GROUNDING ELECTRODE CONDUCTOR SHALL NOT BE SPALLLED.
2. THE SECONDARY CONDUCTORS SHALL BE IDENTIFIED BY THE MANUFACTURER USING THE FOLLOWING IDENTIFICATION SYSTEM:
3. THE SECONDARY CONDUCTOR PROTECTION DEVICE SHALL BE LOCATED SUCH THAT THE MAXIMUM LENGTH OF SECONDARY CONDUCTORS DOES NOT EXCEED 10'-0".
4. FOR ALL TRANSFORMERS SERVING ISOLATED GROUND PANELS, PROVIDE ADDITIONAL GROUND "0" TYPE. REFER TO SPECIFICATIONS.

LIGHTING FIXTURE SCHEDULE

FXT. TYPE	DESCRIPTION	LAMPS		BALLAST	VOLTAGE	MANUFACTURER	CATALOG NUMBER	REMARKS
		NO.	WATTS					
L1	CEILING RECESSED LINEAR LENSED SLOT FIXTURE	12/FT	Y	UNV	PHINACLUX SELUX	EAM-30HC-X-XX-UNV-1C-W	APPROVED EQUAL	SEE NOTES 1, 2, 3, 4, 5, 6
L2	CEILING RECESSED LINEAR WALL WASH FIXTURE	10/FT	Y	UNV	PHINACLUX SELUX	EAM-30HC-X-XX-UNV-1C-W	APPROVED EQUAL	
L3	CEILING RECESSED LINEAR WALL WASH FIXTURE	10/FT	Y	UNV	PHINACLUX SELUX	EAM-30HC-X-XX-UNV-1C-W	APPROVED EQUAL	
P1	CEILING LINEAR DIRECT/INDIRECT PENDANT FIXTURE	22/FT	Y	UNV	PHINACLUX SELUX	EAM-30HC-X-XX-UNV-1C-W	APPROVED EQUAL	
P2	CEILING LINEAR DIRECT/INDIRECT PENDANT FIXTURE	22/FT	Y	UNV	PHINACLUX SELUX	EAM-30HC-X-XX-UNV-1C-W	APPROVED EQUAL	
P3	CEILING CIRCULAR PENDANT FIXTURE	190	Y	UNV	PHINACLUX SELUX	EAM-30HC-X-XX-UNV-1C-W	APPROVED EQUAL	CUSTOM COLOR BY ARCHITECT
R1	CEILING RECESSED SQUARE DOWNLIGHT	22	Y	277	WILLIAMS KURT VERSEN	LED5045-0520-830-EDDYS-277	APPROVED EQUAL	CUSTOM COLOR BY ARCHITECT
R2	CEILING RECESSED LENSED 1'x4' FIXTURE	47	Y	UNV	EDSON PRICE LOUIS POLISEN	LED5045-0520-830-EDDYS-277	APPROVED EQUAL	CUSTOM COLOR BY ARCHITECT
R3	CEILING RECESSED ADJUSTABLE ACENT CORRIDOR SIGNAGE	18.5	Y	UNV	INTER-LUX/WHITEGOODS KURT VERSEN	MC-8150SRG-X1830-1420-UNV-S-FR	APPROVED EQUAL	CUSTOM COLOR BY ARCHITECT
UC	SERVERS UNITS/USERS CABINET FIXTURE WITH INTERAREA OCCUPANCY SENSOR	14/FT	Y	UNV	TECH LIGHTING COLOR KINETICS	7000CTM-X-3-3-W-LED-CSS	APPROVED EQUAL	COORDINATE ARROW DIRECTIONS WITH FLOOR PLANS
Ⓢ	EDGE-LIT LED EXIT SIGN	2	Y	UNV	PHILIPS ISOLUTE	SOV-AC-R-1C/2M-BA-PX-XX	APPROVED EQUAL	

LIGHTING FIXTURE SCHEDULE NOTES:
1. COORDINATE ALL FIXTURE FINISH COLORS WITH ARCHITECT PRIOR TO BID.
2. COORDINATE COLOR AND TEMPERATURE OF ALL LAMPS WITH ARCHITECT.
3. COORDINATE FIXTURE LENGTH AND SPACING WITH ARCHITECT. ALL FIXTURES TO BE INSTALLED WITH THE SAME FINISH AND COORDINATE FIXTURE LENGTH AND SPACING WITH ARCHITECT.
4. TO BE CONSIDERED AN "APPROVED EQUAL" FIXTURE SPECIFICATIONS SHALL MATCH BASIS OF DESIGN.
5. FIXTURE CHARACTERISTICS (LUMEN OUTPUT, WATTAGE, DIMENSIONS, CONSTRUCTION MATERIALS, ETC.)
6. COORDINATE FIXTURE MOUNTING TYPE (GRID/PLANE WITH CEILING TYPE WHERE INSTALLED).



1 EXISTING PARTIAL POWER RISER DIAGRAM

SCALE: 1/8" = 1'-0"

RISER DIAGRAM KEYED NOTES:

- PRIOR TO THE ELECTRICAL CONTRACTOR'S METEER EXISTING PANEL BOARD, THE ELECTRICAL CONTRACTOR SHALL VERIFY THE LOCATION AND IDENTIFICATION OF ALL ELECTRICAL PANELS AND EQUIPMENT. A COPY OF THIS REPORT SHALL BE GIVEN TO THE ARCHITECT AND ENGINEER UPON METEER COMPLETION. ELECTRICAL CONTRACTOR SHALL NOT BE RESPONSIBLE FOR METEER UNLESS IT HAS BEEN REVIEWED BY THE ENGINEER.
- PHASE INDICATED ON CIRCUIT BREAKER AS INDICATED ON THE EQUIPMENT AND MEET THE AVAILABLE FAULT AT THE POINT OF INSTALLATION.

PANELBOARD SCHEDULES

PANEL No.	LOCATION	MTG.	VOLTAGE	CIRCUIT BREAKERS							TOTAL POLES	AC	BUS SIZE	MAN. C.B.	NEUTRAL 200K BUS	GND. BUS	ISO. BUS	REMARKS	
				20/1 GFI	20/1	20/2	20/3	30/1	30/2	30/3									40/3
E1	GROUND FLOOR	SURF	277/480, 3P, 4W	-	-	-	-	-	-	-	-	-	-	-	-	-	-	-	-
E1	GROUND FLOOR	SURF	120/208, 3P, 4W	-	-	-	-	-	-	-	-	-	-	-	-	-	-	-	-
E1	GROUND FLOOR	SURF	277/480, 3P, 4W	-	-	-	-	-	-	-	-	-	-	-	-	-	-	-	-
E1	GROUND FLOOR	SURF	120/208, 3P, 4W	-	-	-	-	-	-	-	-	-	-	-	-	-	-	-	-
E1	GROUND FLOOR	SURF	277/480, 3P, 4W	-	-	-	-	-	-	-	-	-	-	-	-	-	-	-	-
E1	GROUND FLOOR	SURF	120/208, 3P, 4W	-	-	-	-	-	-	-	-	-	-	-	-	-	-	-	-

* AC RATING SHALL MEET THE AVAILABLE FAULT AND EQUIPMENT AT THE POINT OF INSTALLATION.