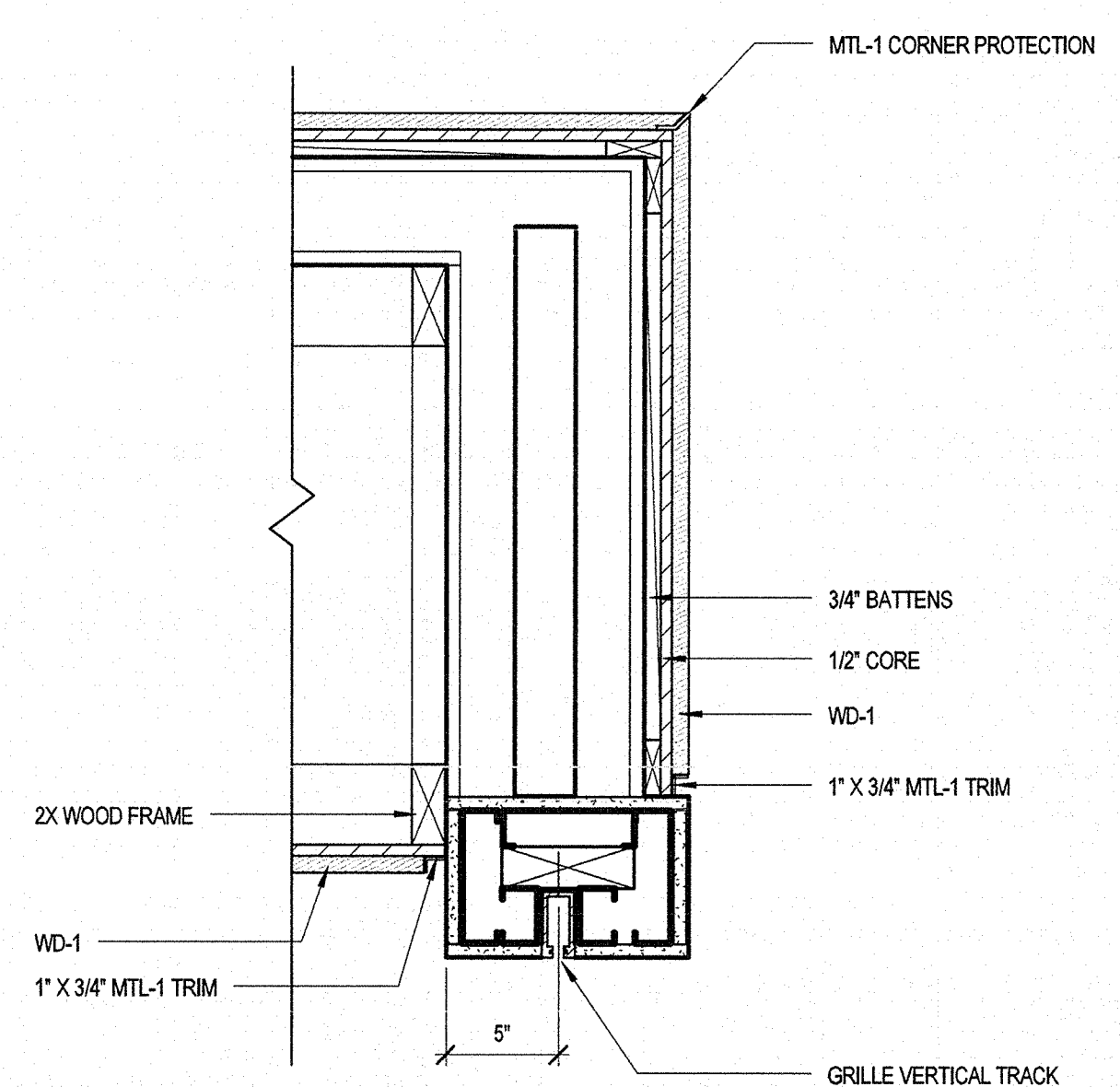
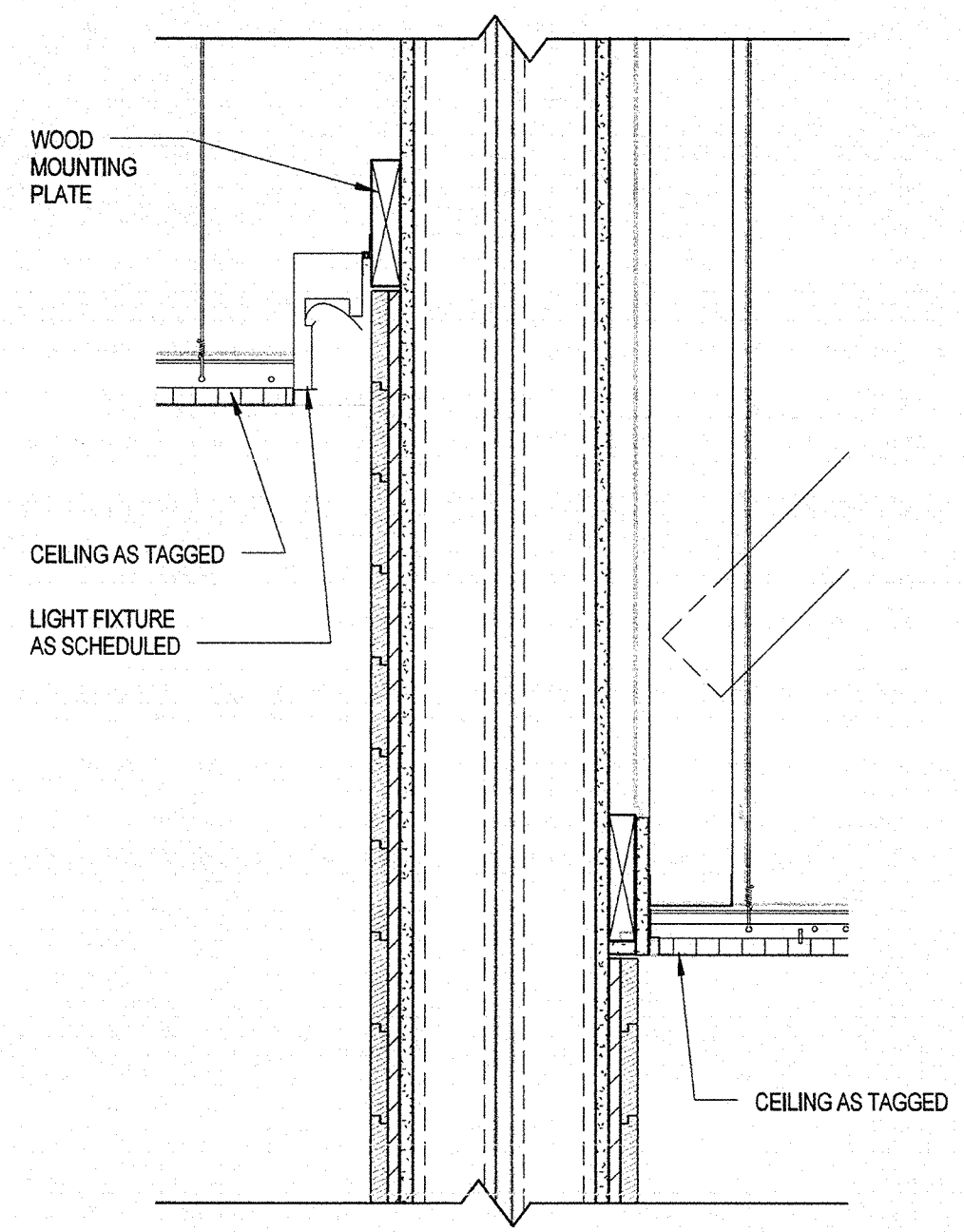


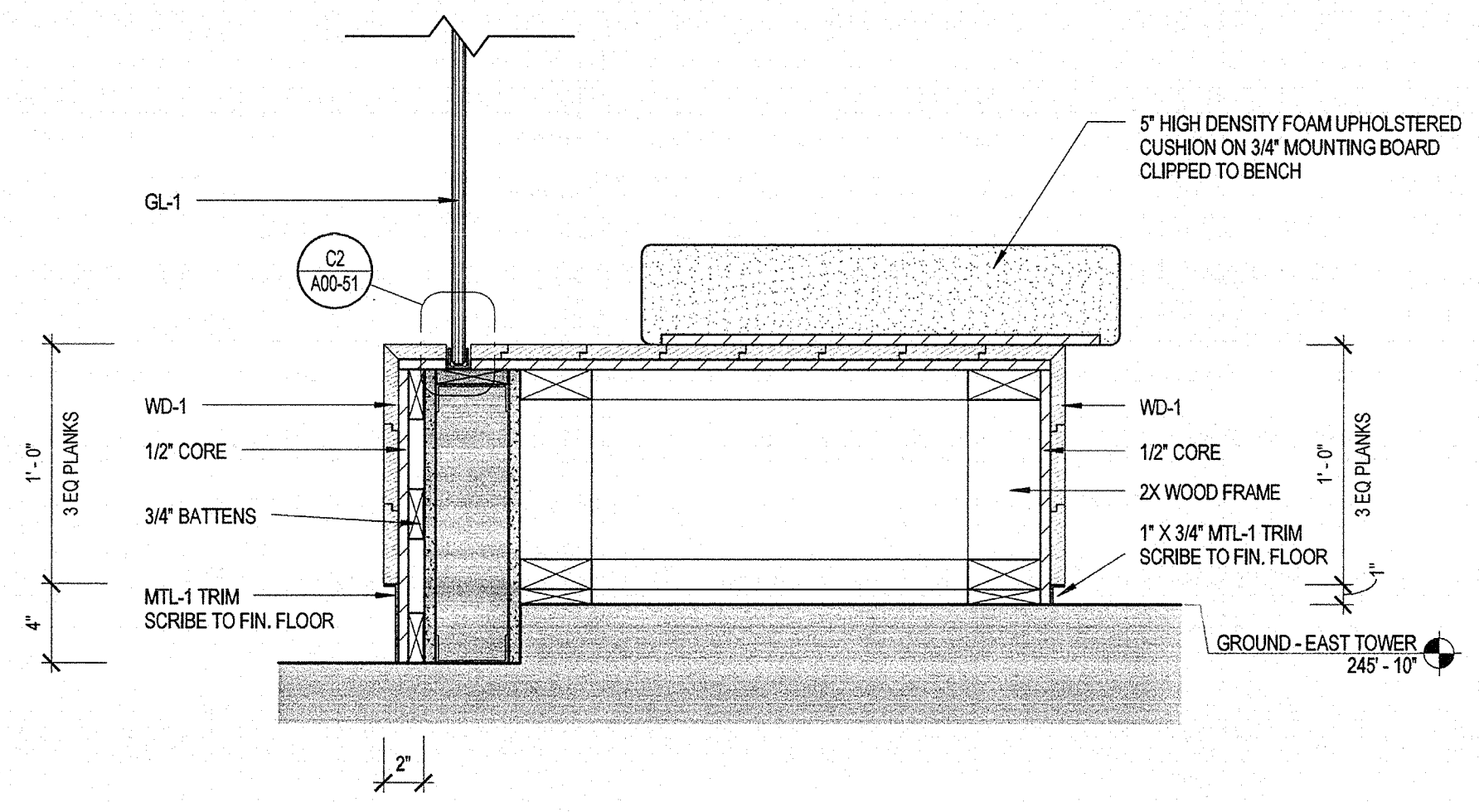
C5 BENCH 3D CUTAWAY AT CORRIDOR CORNER
FOR REFERENCE ONLY - NOT TO SCALE



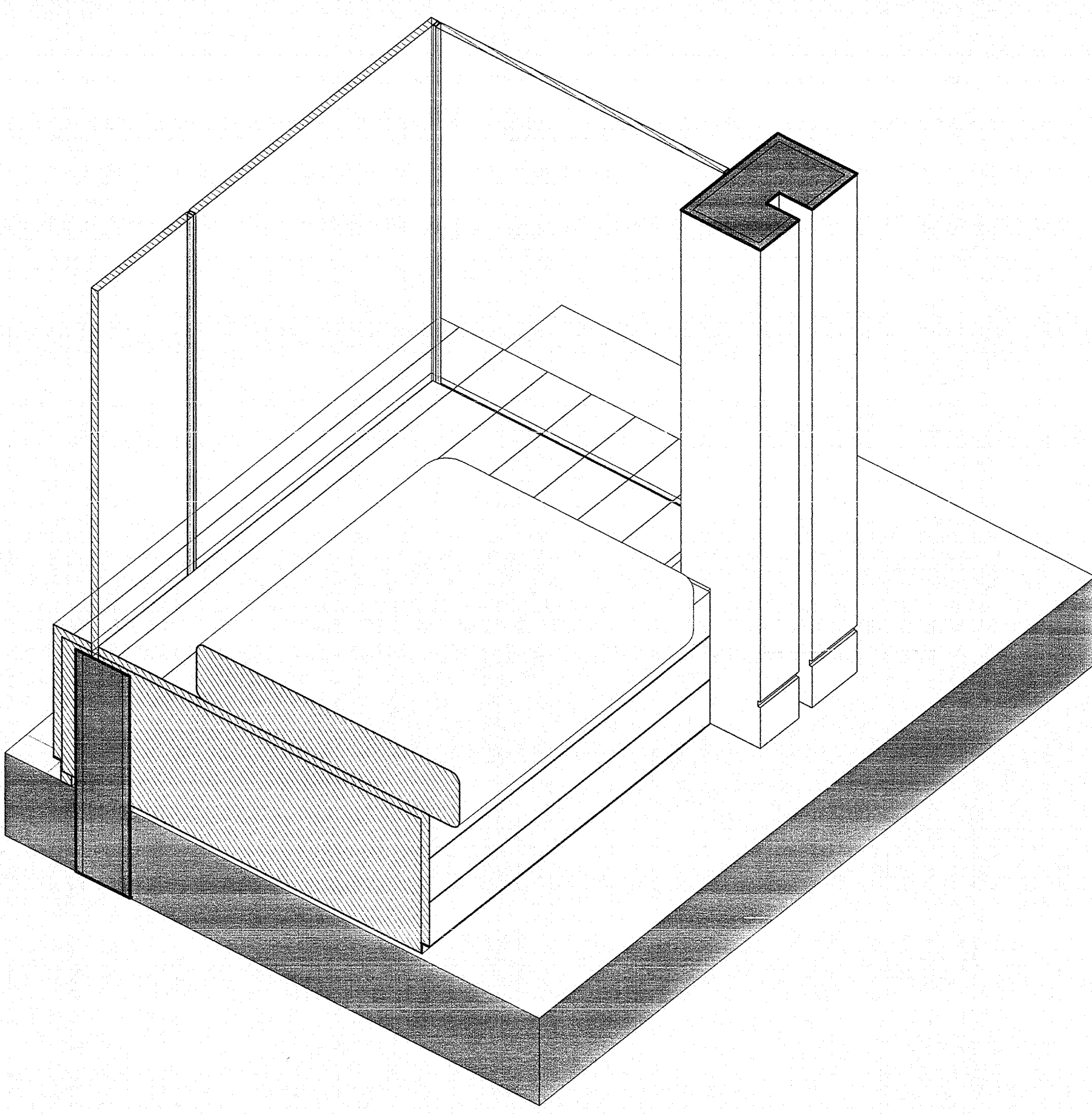
C3 GRILLE JAMB @ BENCH DETAIL
1 1/2\"/>



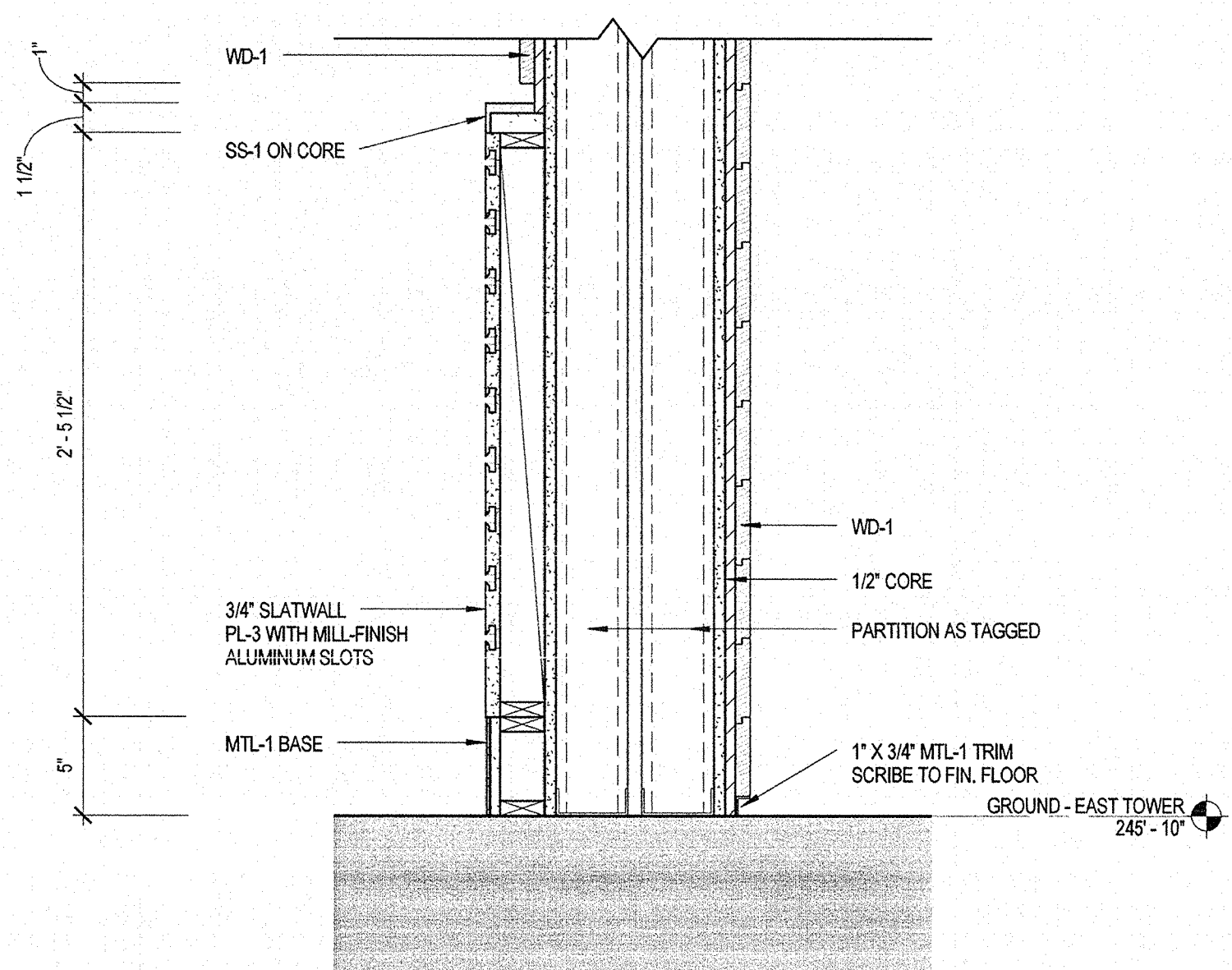
B3 GRILLE JAMB @ WOOD WALL
1 1/2\"/>



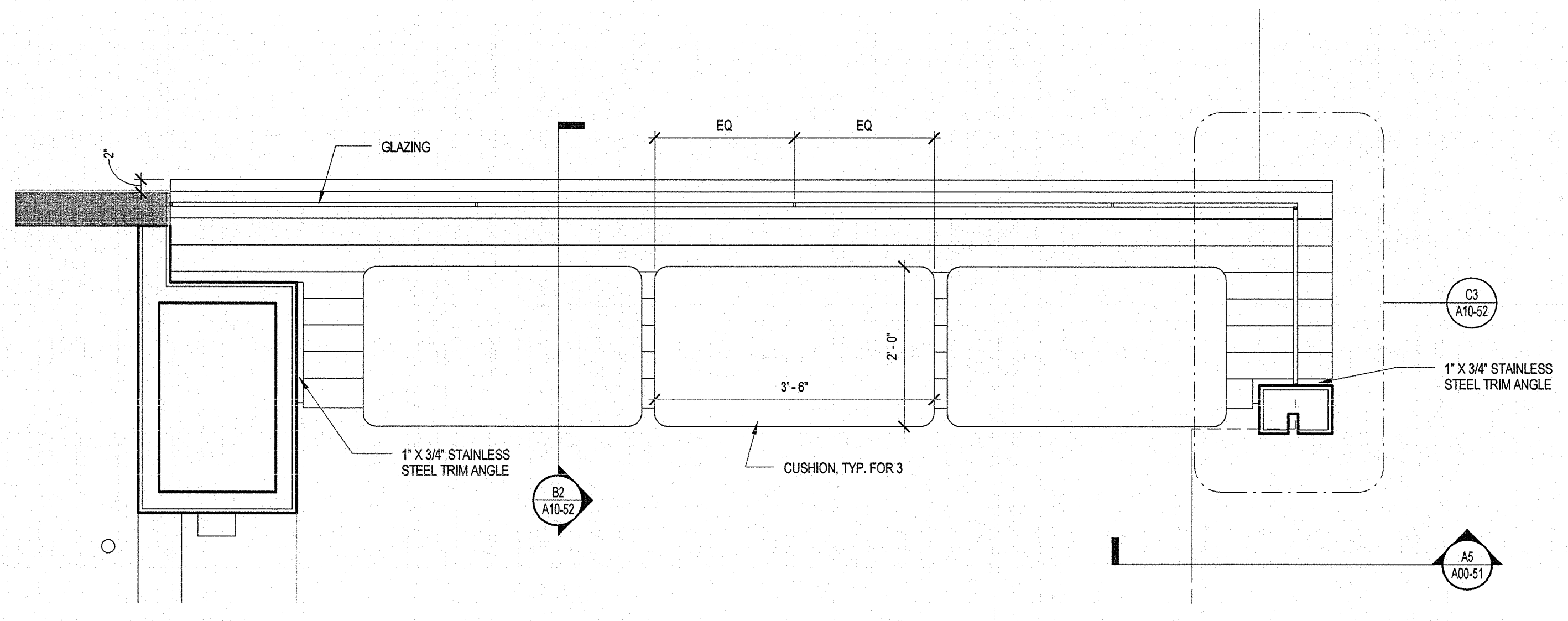
B2 BENCH SECTION
1 1/2\"/>



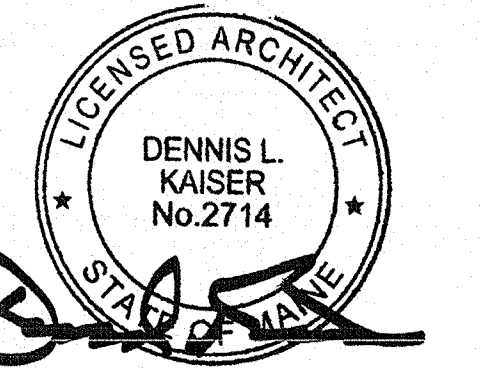
A5 BENCH 3D CUTAWAY IN RETAIL AREA
FOR REFERENCE ONLY - NOT TO SCALE



A4 WOOD WALL DETAIL
1 1/2\"/>



A3 BENCH ENLARGED PLAN
3/4\"/>



Revisions

ISSUED FOR PERMIT	08.11.2014	
1	07.11.2014	
NO	ISSUE	DATE
Sheet Information		
Date	AUGUST 11, 2014	
Job #	152188.010	
Drawn	Author	
Checked	Checker	
Approved	Approver	
Title		

**MILLWORK
DETAILS - BENCH
& WOOD WALL**

Sheet
A10-52