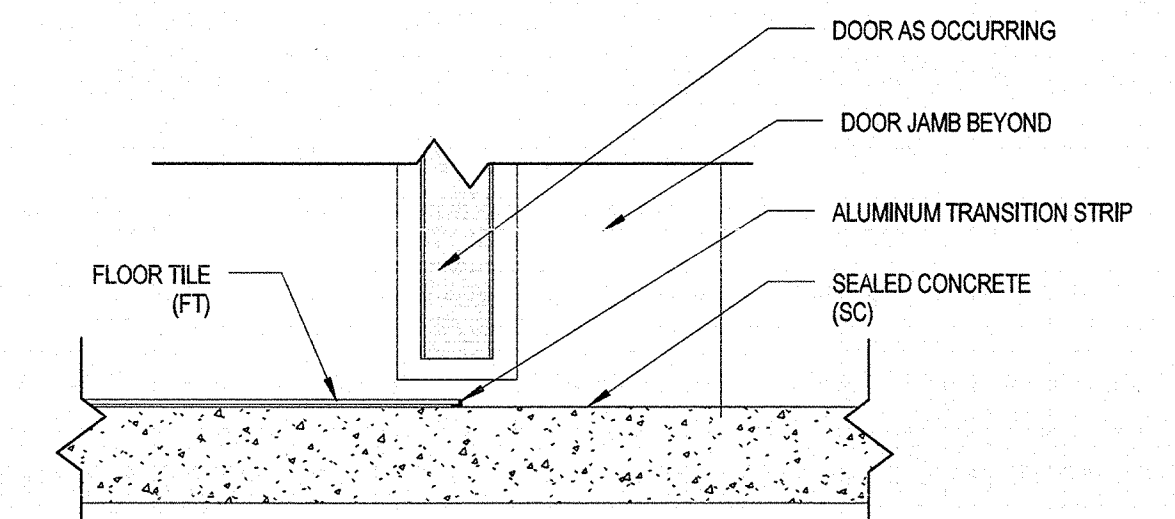
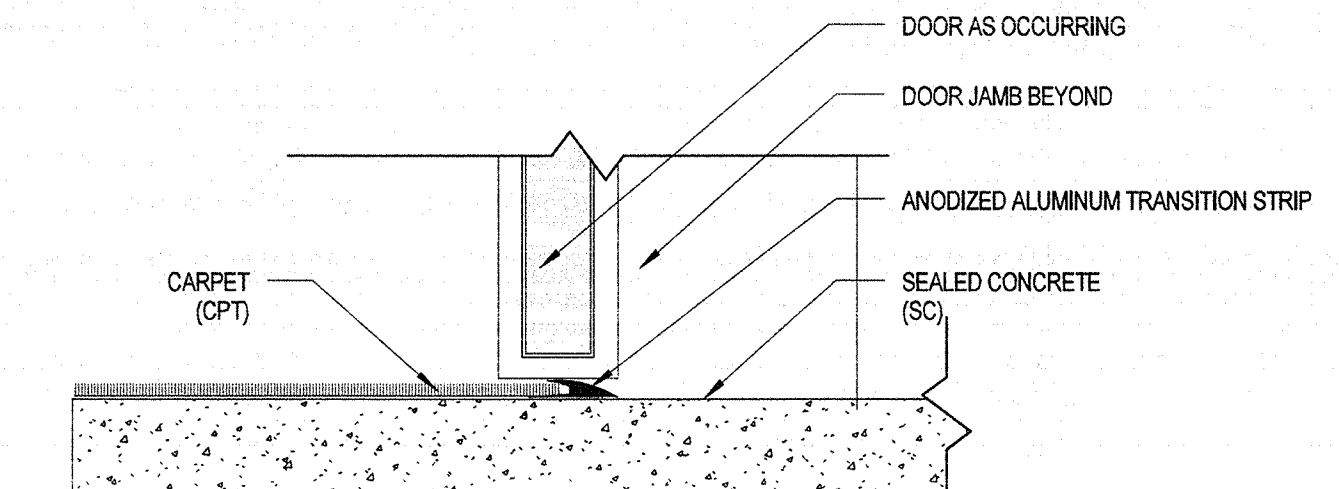


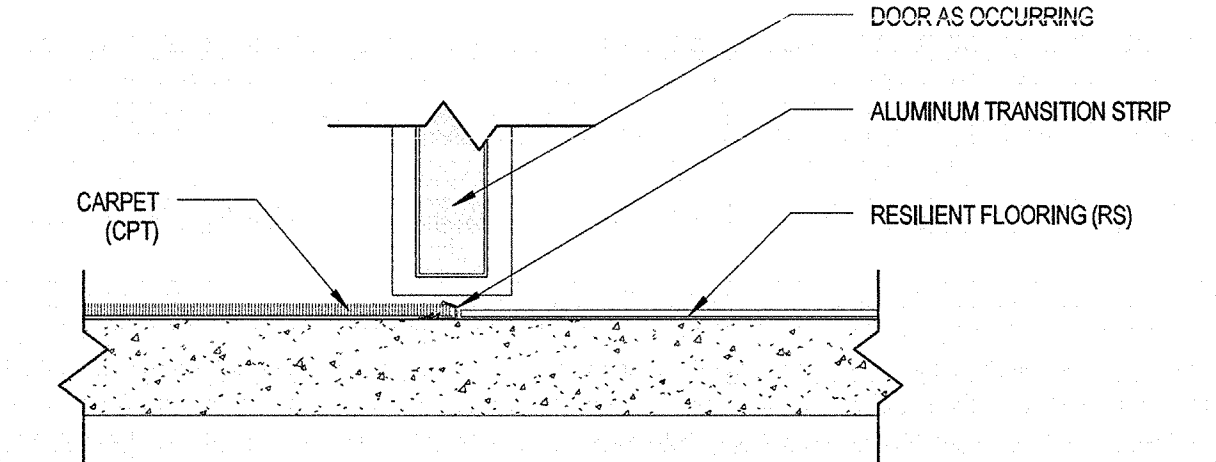
5 RESILIENT FLOORING TO CONCRETE
3" = 1'-0"



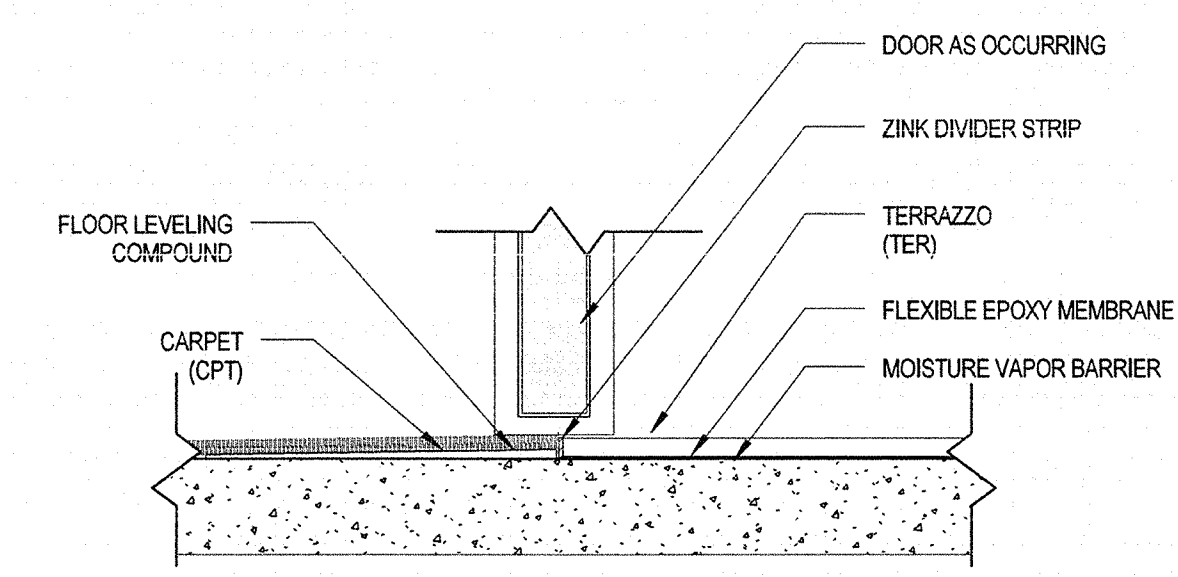
4 RESILIENT FLOORING TO CERAMIC TILE
3" = 1'-0"



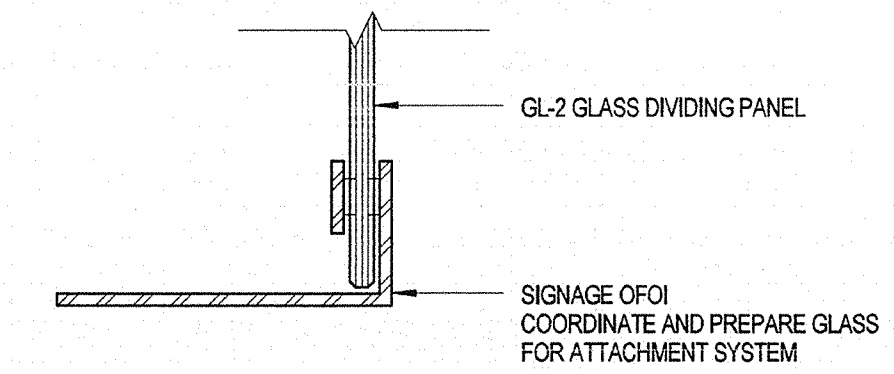
2 CARPET TO SEALED CONCRETE
3" = 1'-0"



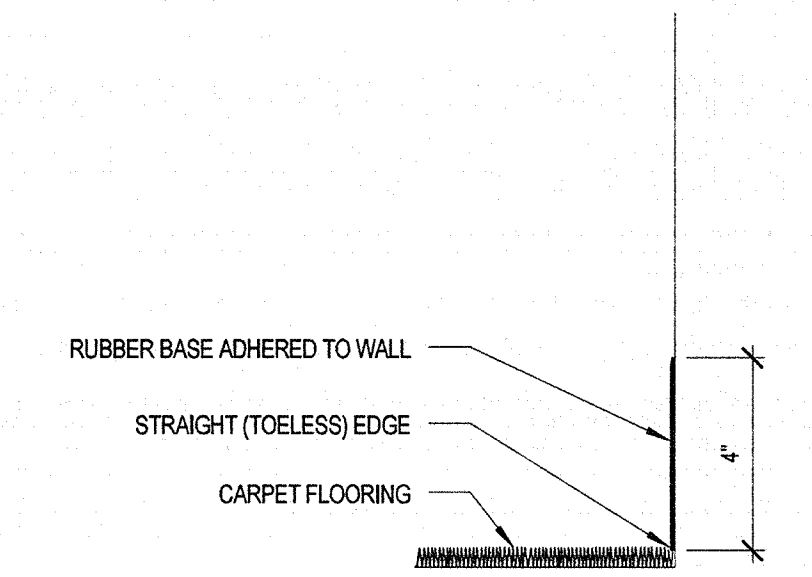
1 CARPET TO RESILIENT FLOORING
3" = 1'-0"



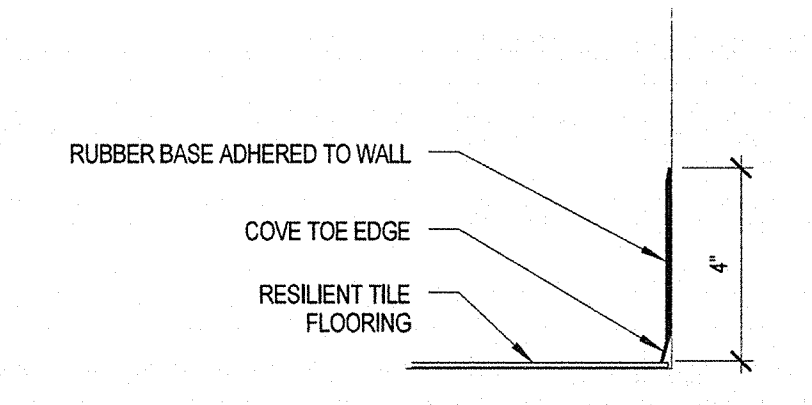
A1 CARPET TO CERAMIC TILE
3" = 1'-0"



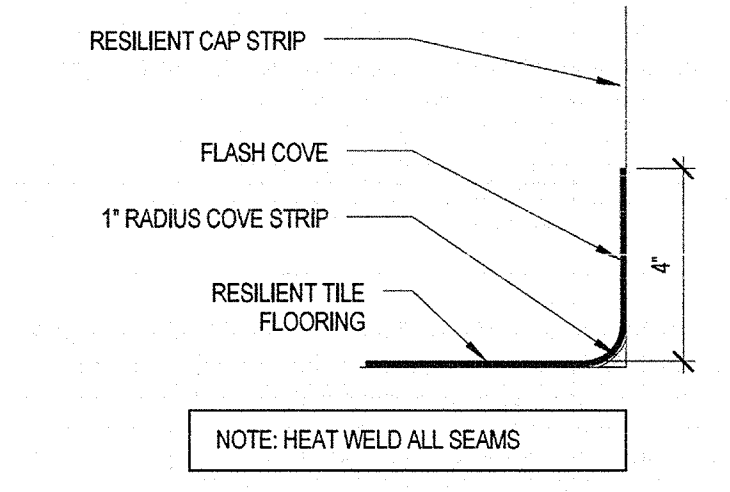
8 SIGNAGE @ GLASS DIVIDING PANEL
3" = 1'-0"



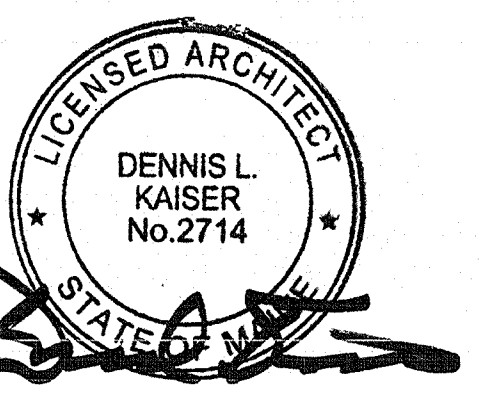
7 STRAIGHT BASE AT CARPET
3" = 1'-0"



6 RUBBER BASE
3" = 1'-0"



3 RESILIENT FLASH COVE BASE
3" = 1'-0"



Revisions

NO.	ISSUE	DATE
1	ISSUED FOR BID	07.11.2014
	ISSUED FOR PERMIT	08.11.2014

Sheet Information

Date: AUGUST 11, 2014
Job #: 152168.010
Drawn: _____ Author: _____
Checked: _____ Checker: _____
Approved: _____ Approver: _____

Title

INTERIOR DETAILS