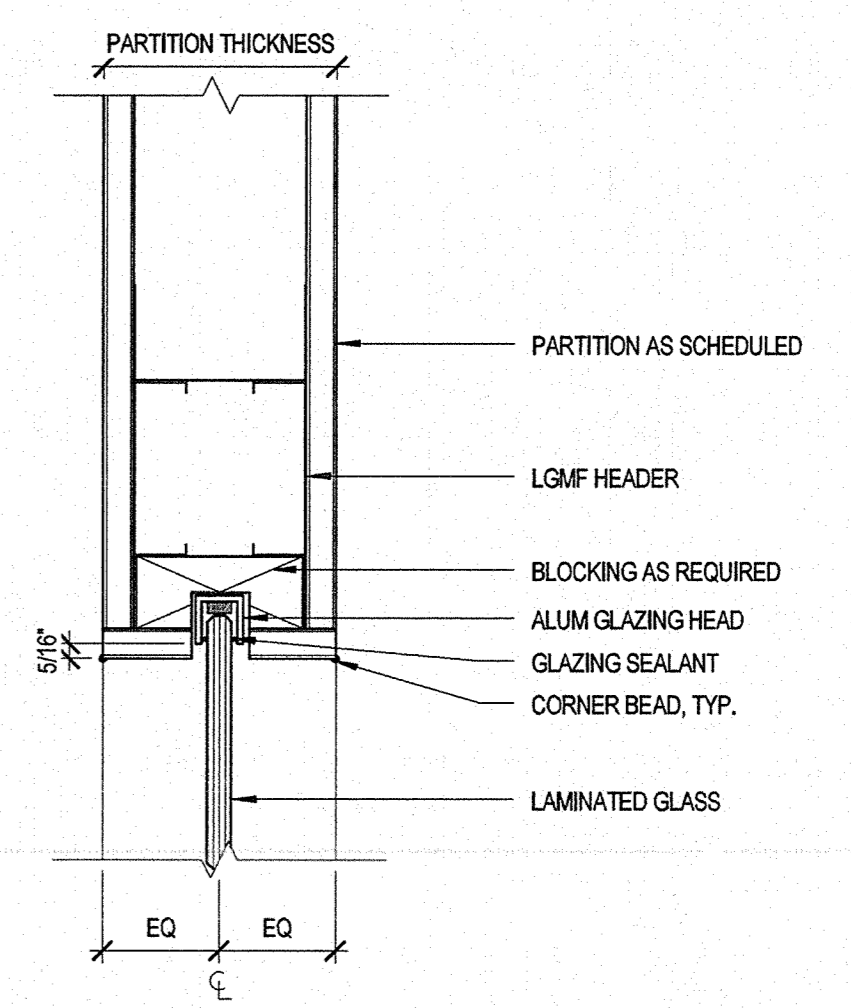
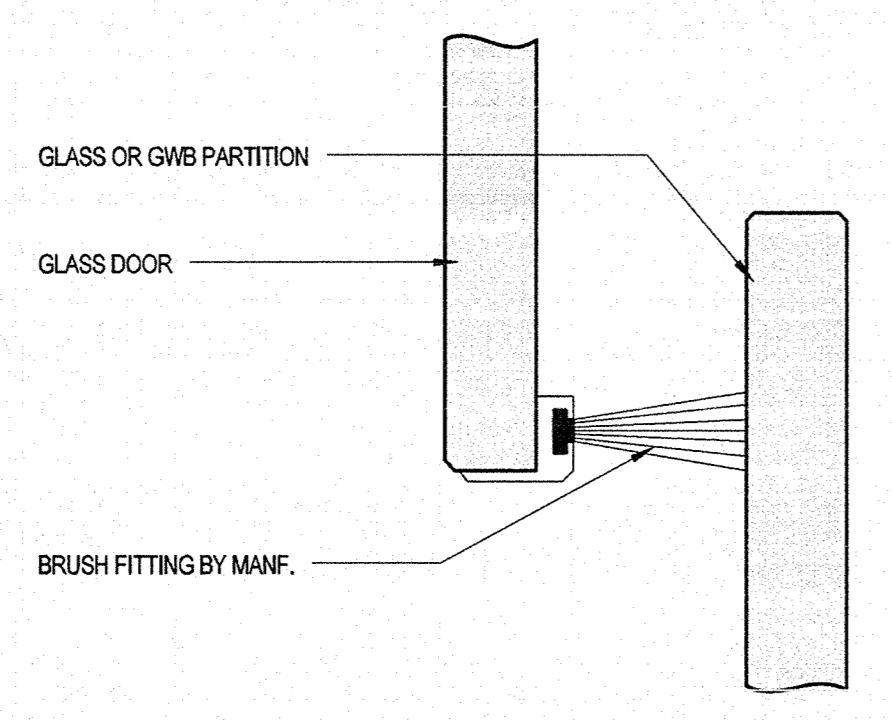


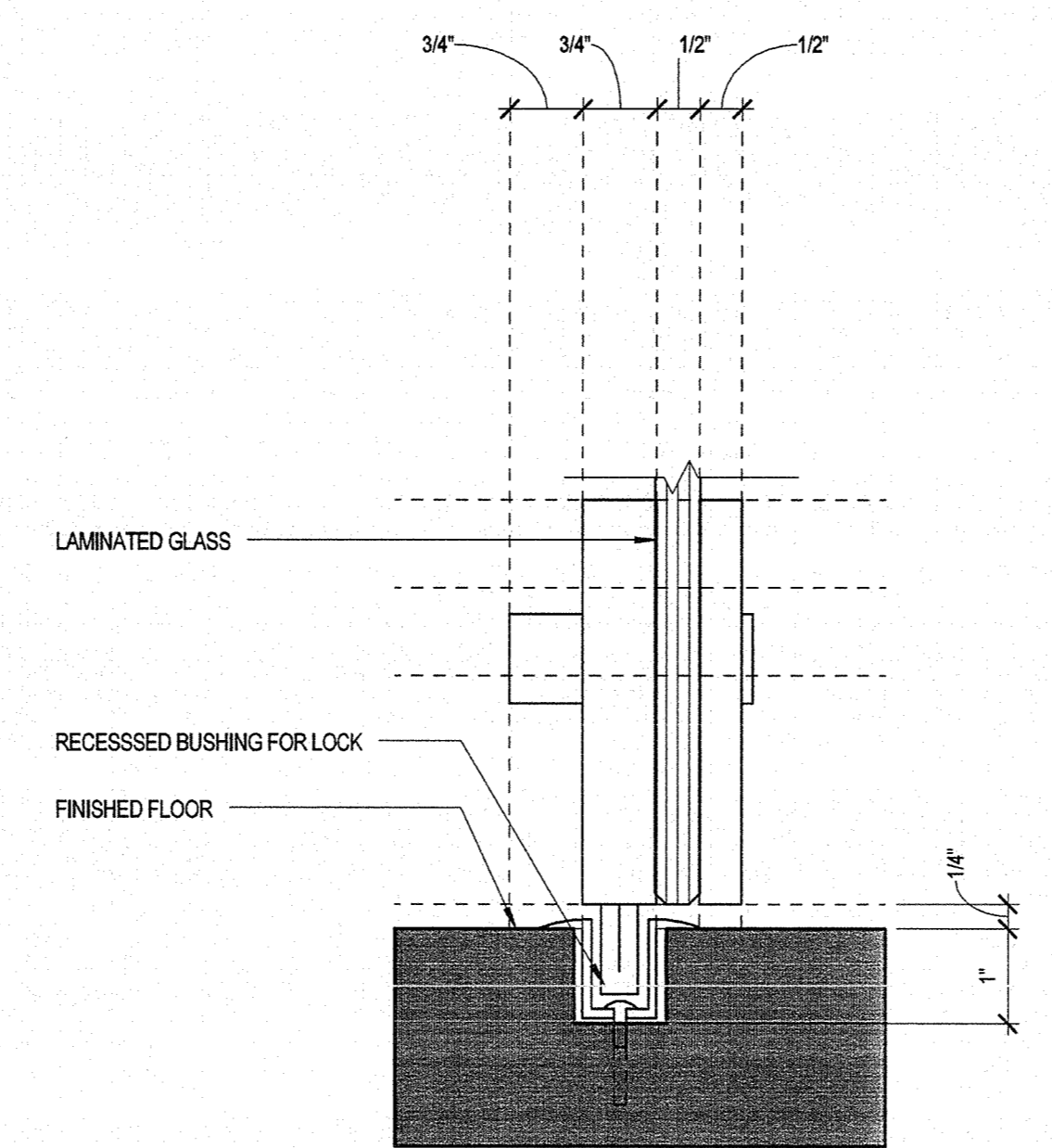
D2 TYP BUTT JOINT DTL @ INT GLASS PARTITION  
6" = 1'-0"



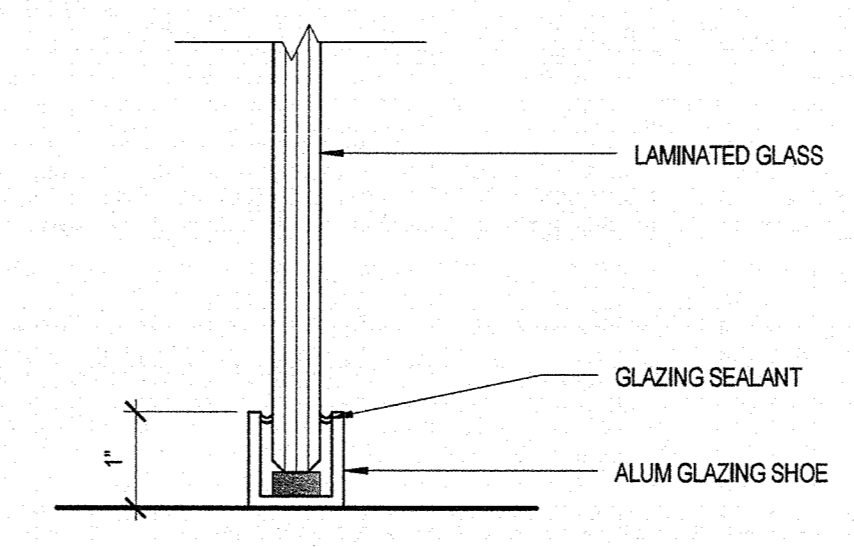
D1 TYP HEAD DTL @ INTERIOR GLASS PARTITION  
3" = 1'-0"



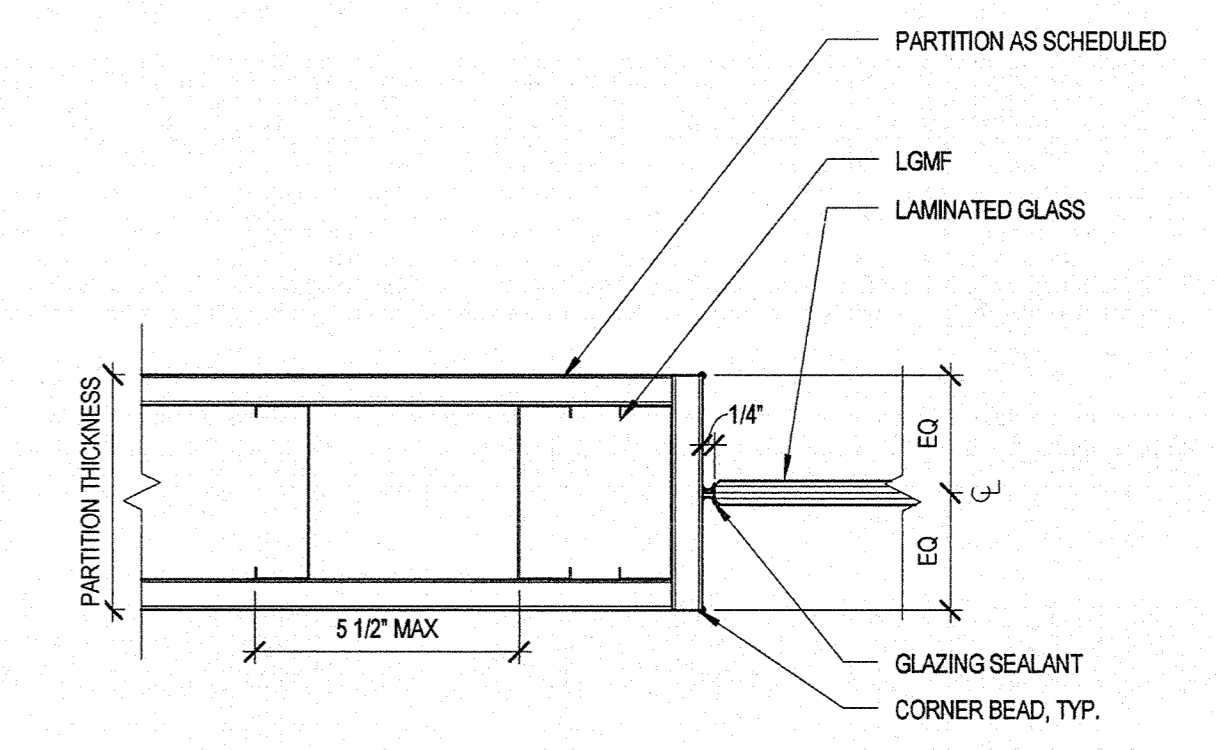
C4 ALUMINIUM BRUSH PROFILE  
3" = 1'-0"



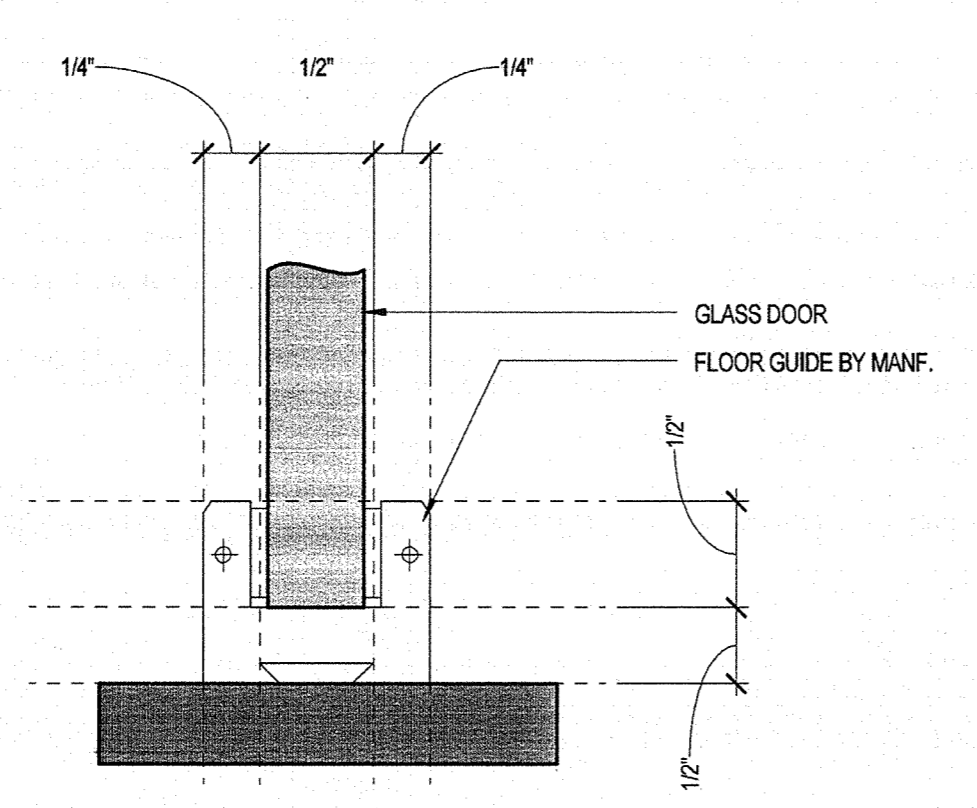
C3 GLASS DOOR SILL DETAIL  
6" = 1'-0"



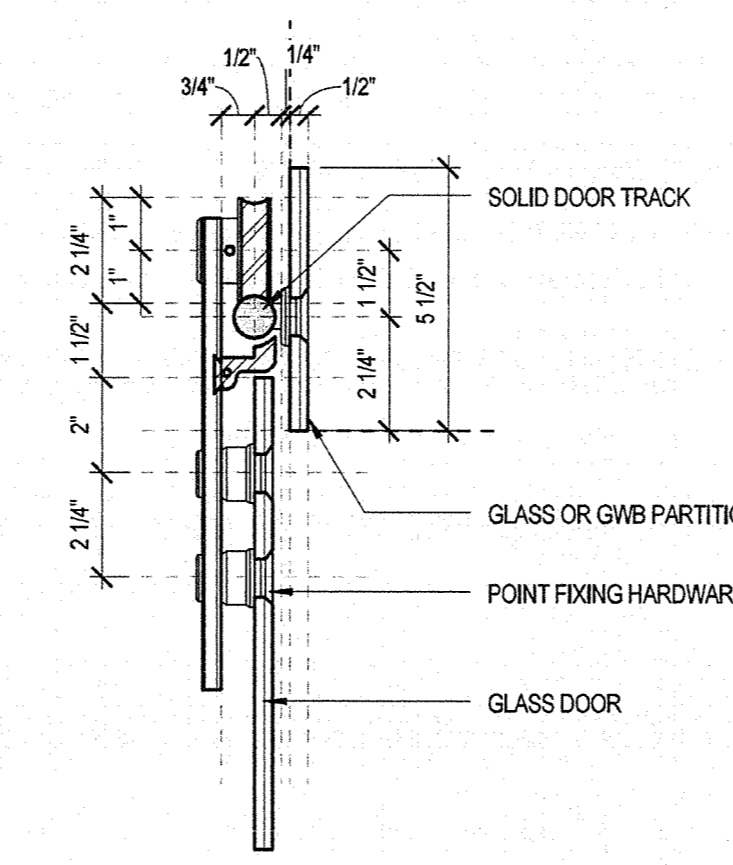
C2 TYP SILL DTL @ INTERIOR GLASS PARTITION  
6" = 1'-0"



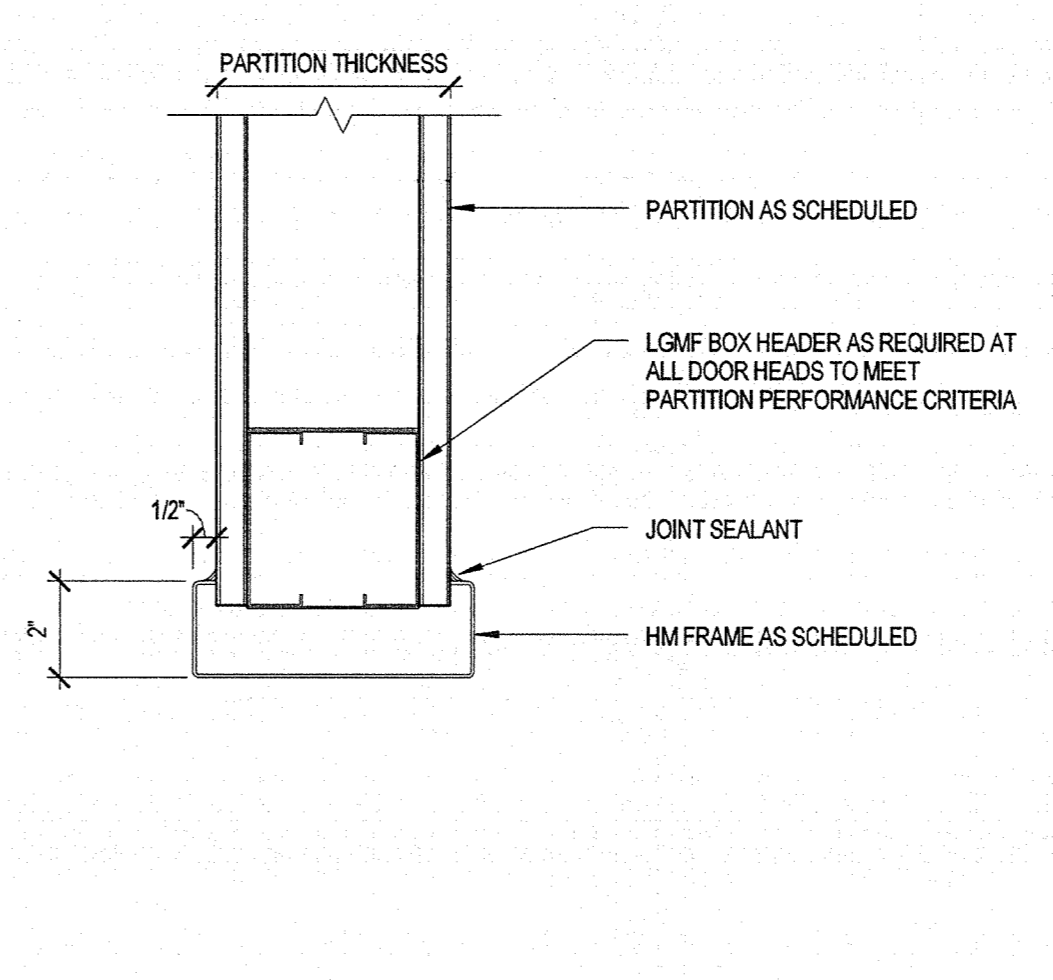
C1 TYP JAMB DTL @ INTERIOR GLASS PARTITION  
3" = 1'-0"



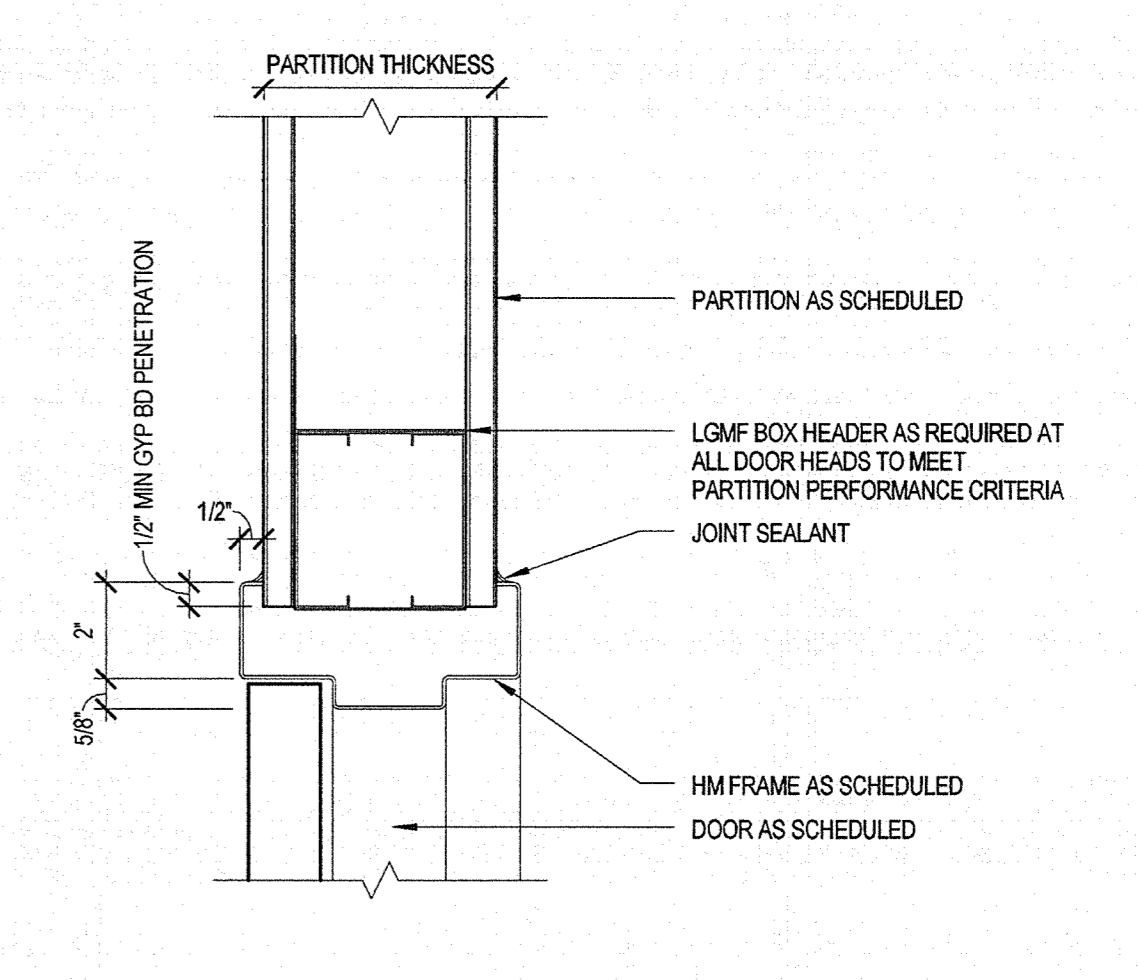
B4 GLASS DOOR SILL DETAIL - FLOOR GUIDE  
12" = 1'-0"



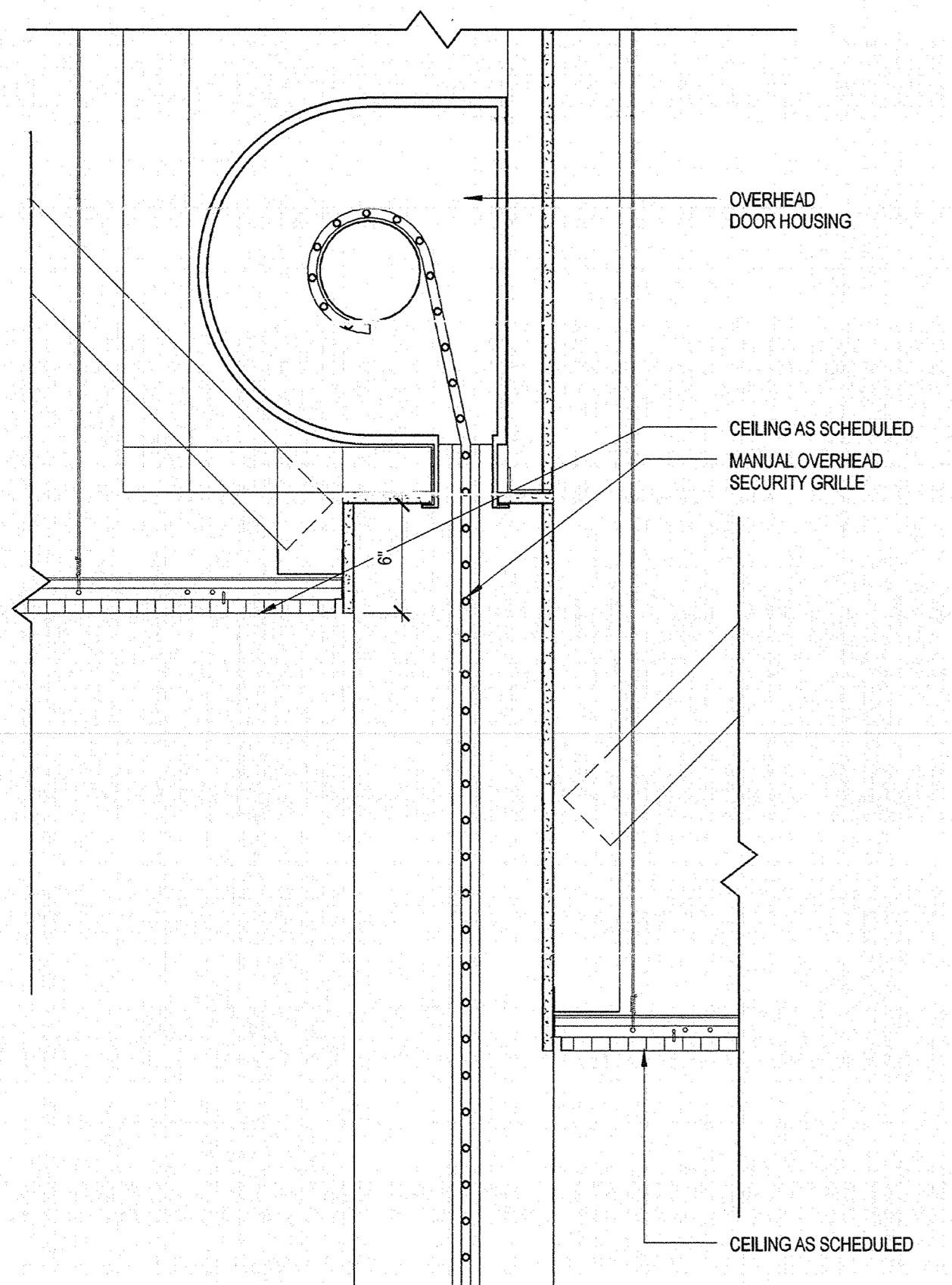
B3 SLIDING DOOR WITH SOLID TRACK  
3" = 1'-0"



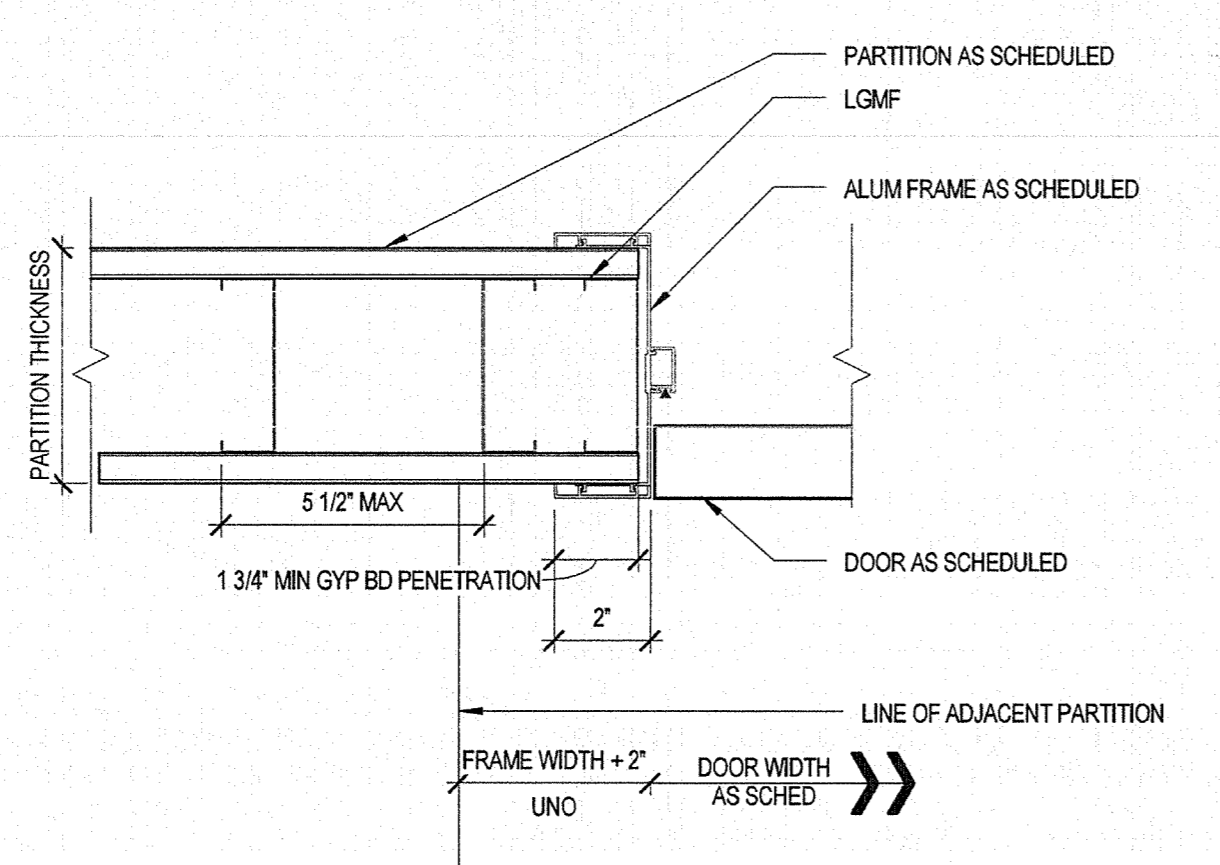
B2 TYP HMF HEAD DETAIL @ CASED OPENING  
3" = 1'-0"



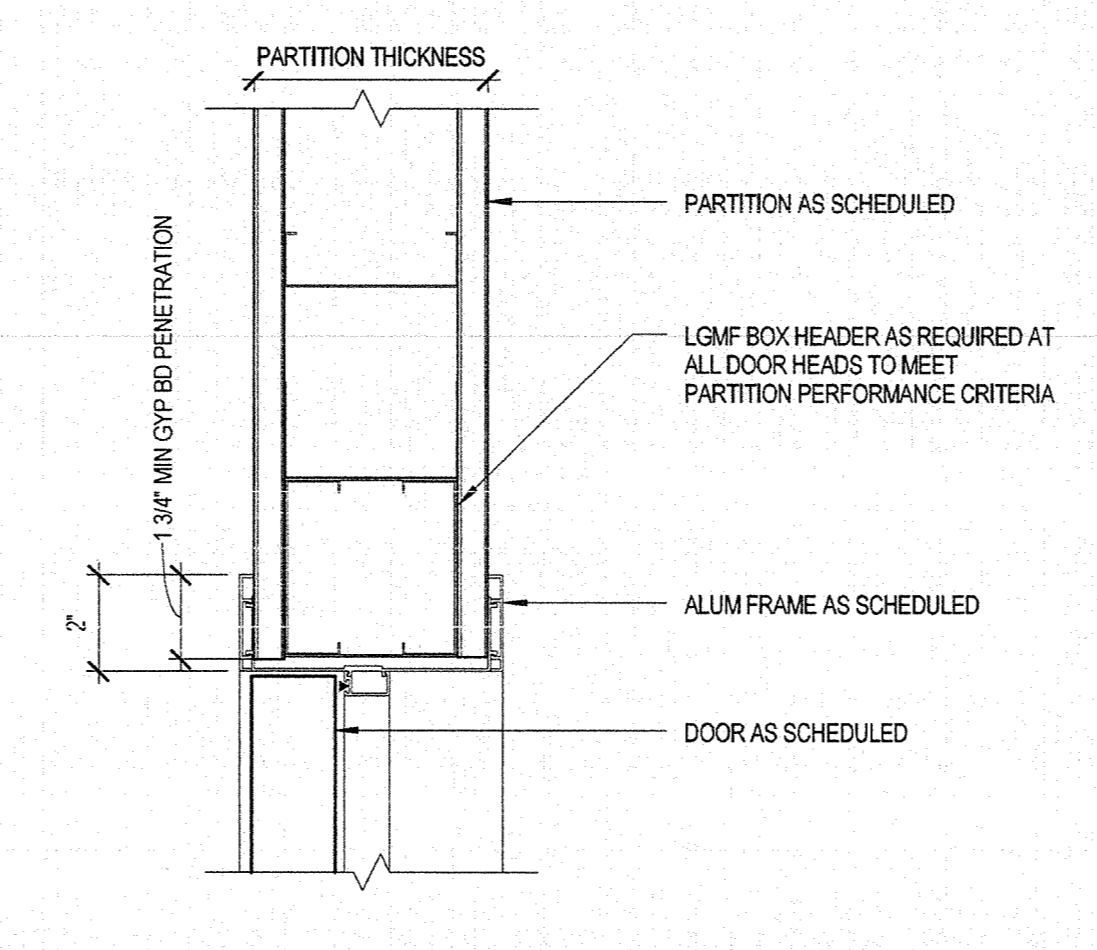
B1 TYP HMF HEAD DETAIL @ GWB PARTITION  
3" = 1'-0"



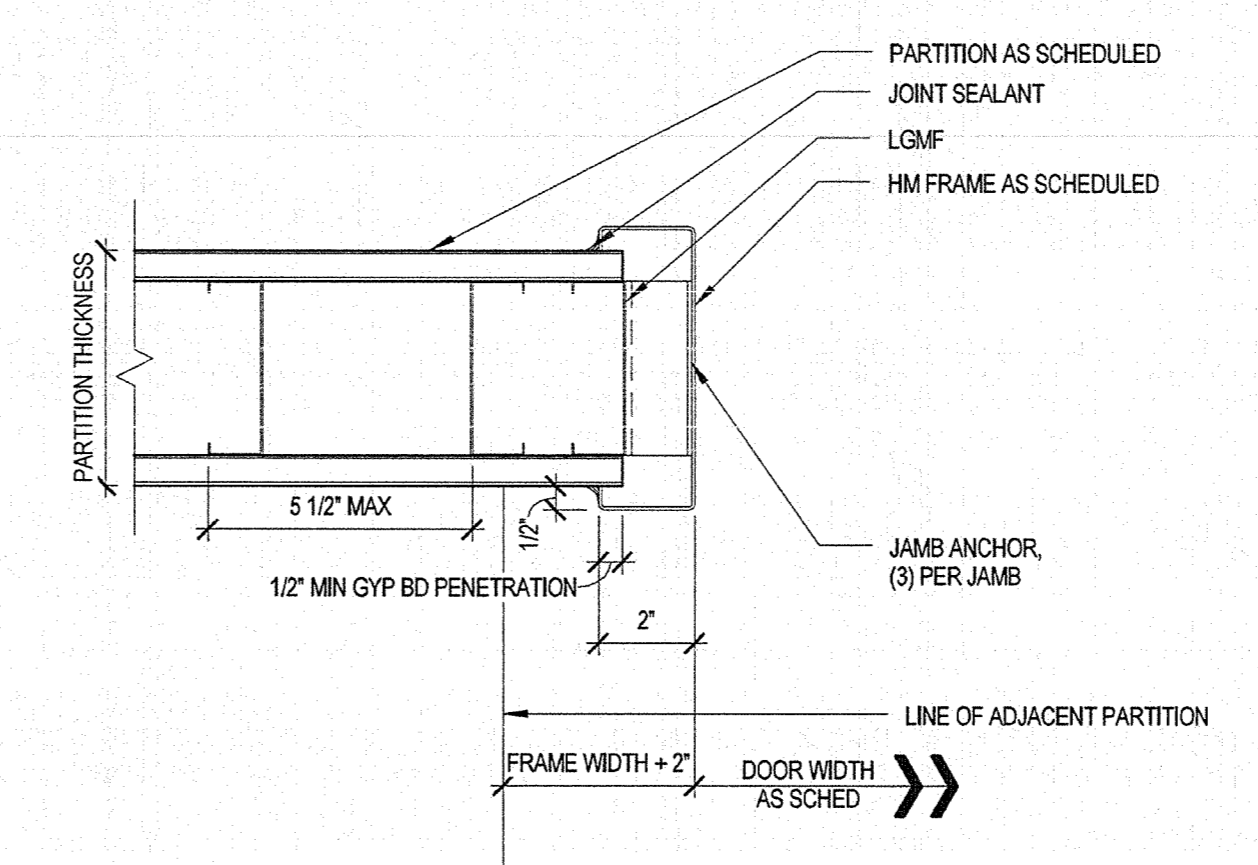
A5 OVERHEAD GRILLE SECTION DETAIL  
1 1/2" = 1'-0"



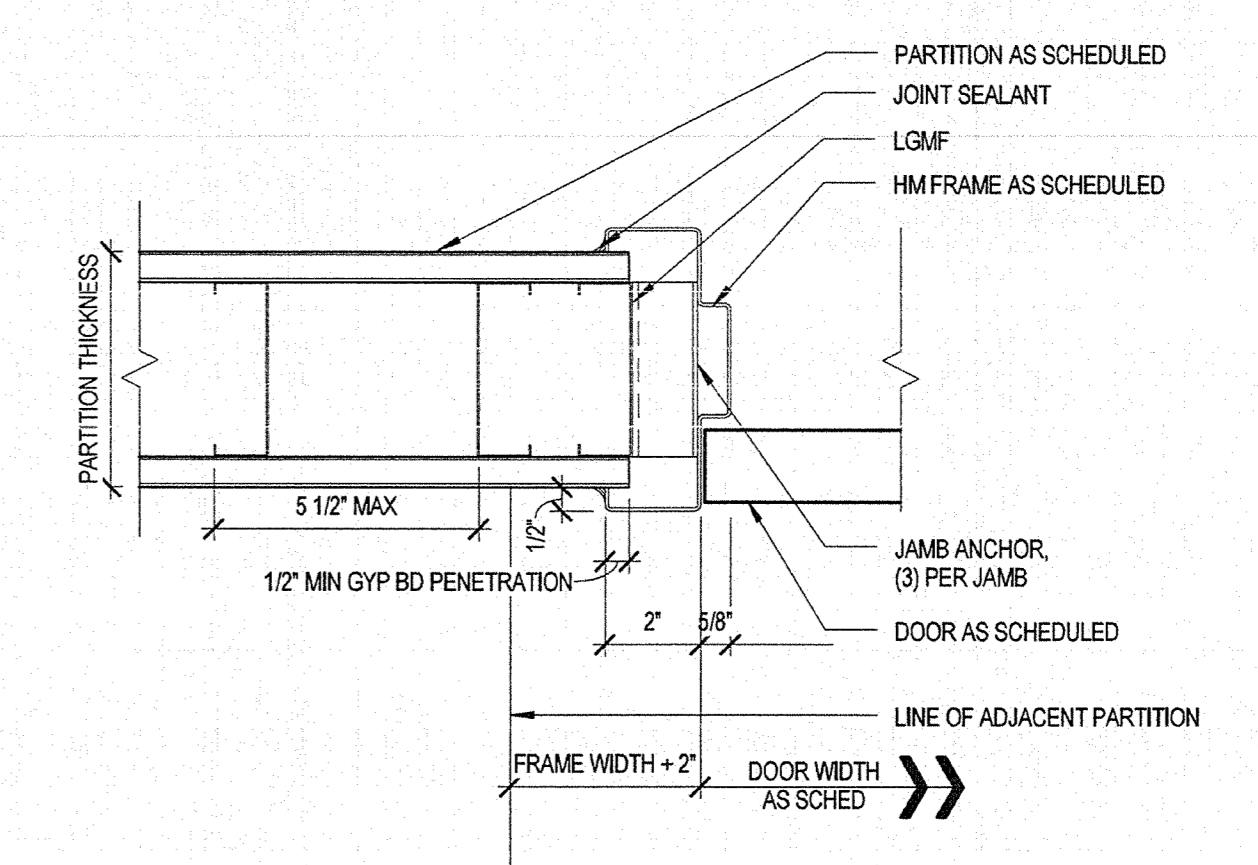
A4 TYP AL JAMB DETAIL @ GWB PARTITION  
3" = 1'-0"



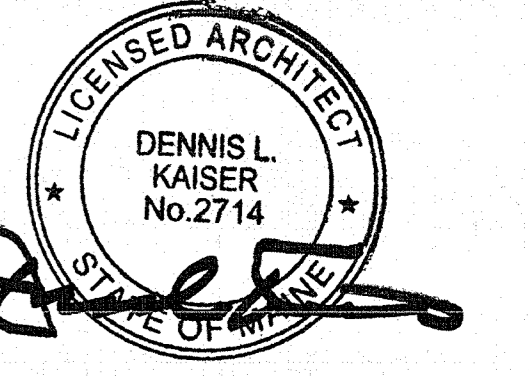
A3 TYP AL HEAD DETAIL @ GWB PARTITION  
3" = 1'-0"



A2 TYP HMF JAMB DETAIL @ CASED OPENING  
3" = 1'-0"



A1 TYP HMF JAMB DETAIL @ GWB PARTITION  
3" = 1'-0"



Revisions

ISSUED FOR PERMIT	08.11.2014
1 ISSUED FOR BID	07.11.2014
NO	ISSUE DATE
Date	AUGUST 11, 2014
Job #	152188.010
Drawn	Author
Checked	Checker
Approved	Approver
	Title

DOOR DETAILS