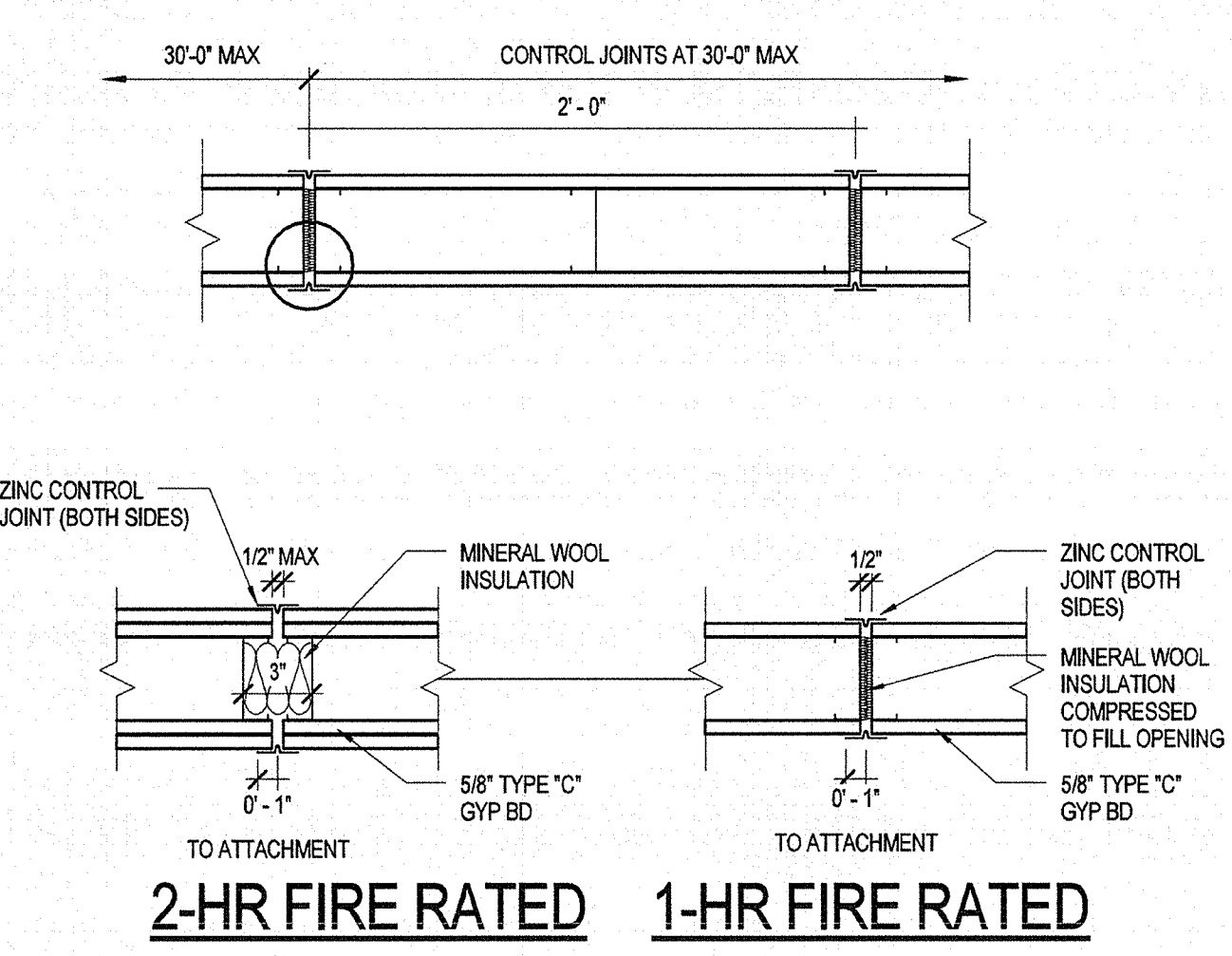
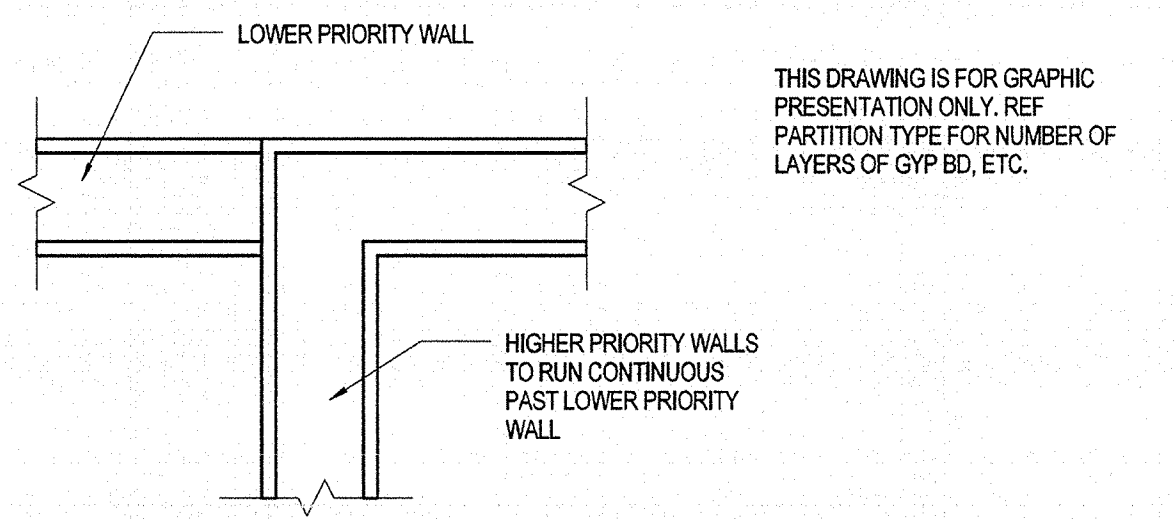


D5 FIRE RATED ASSEMBLY BOTTOM OF PARTITION
3\"/>

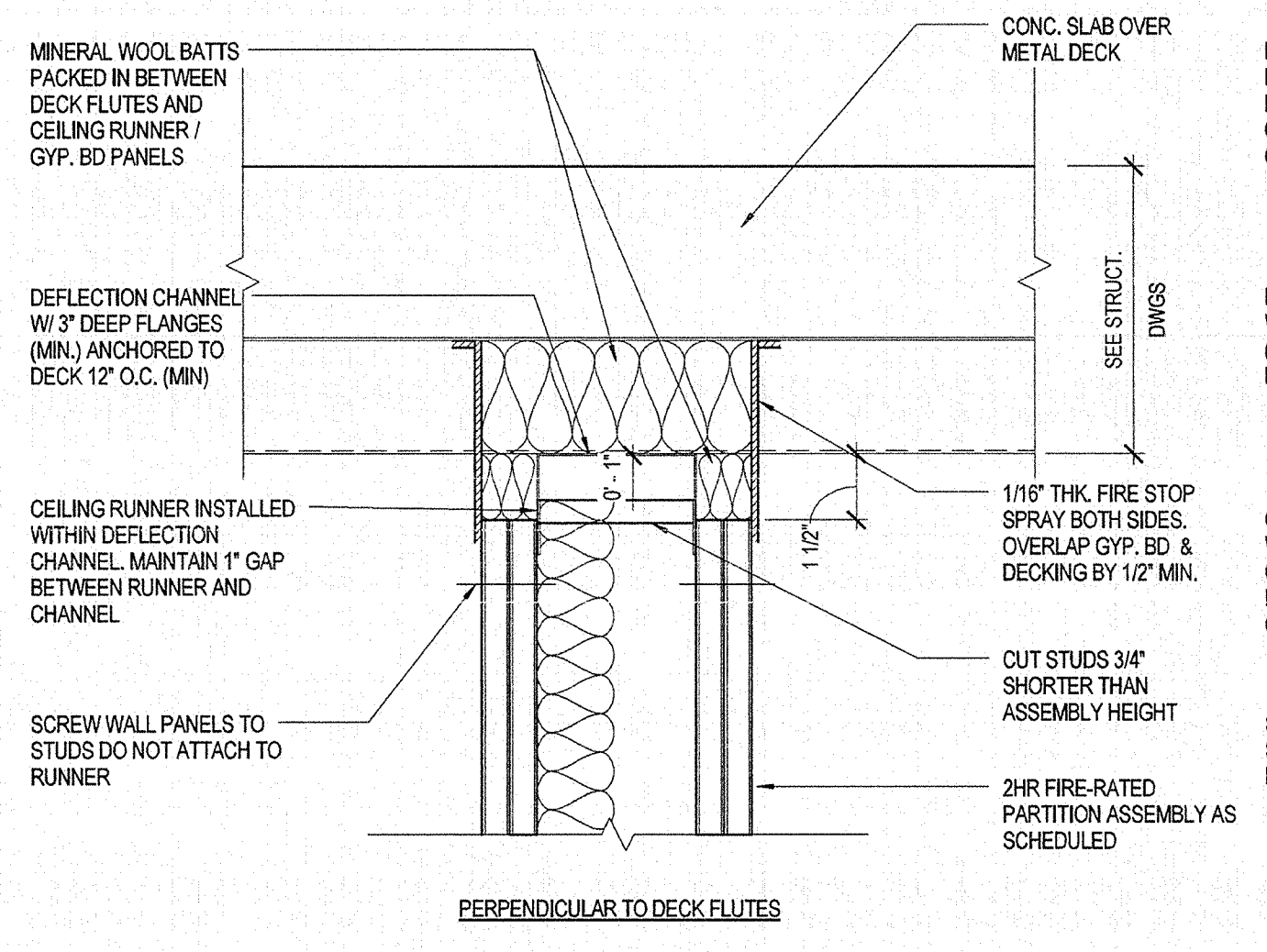


D2 GYP.BD PARTITION CONTROL JOINT DETAILS
1 1/2\"/>

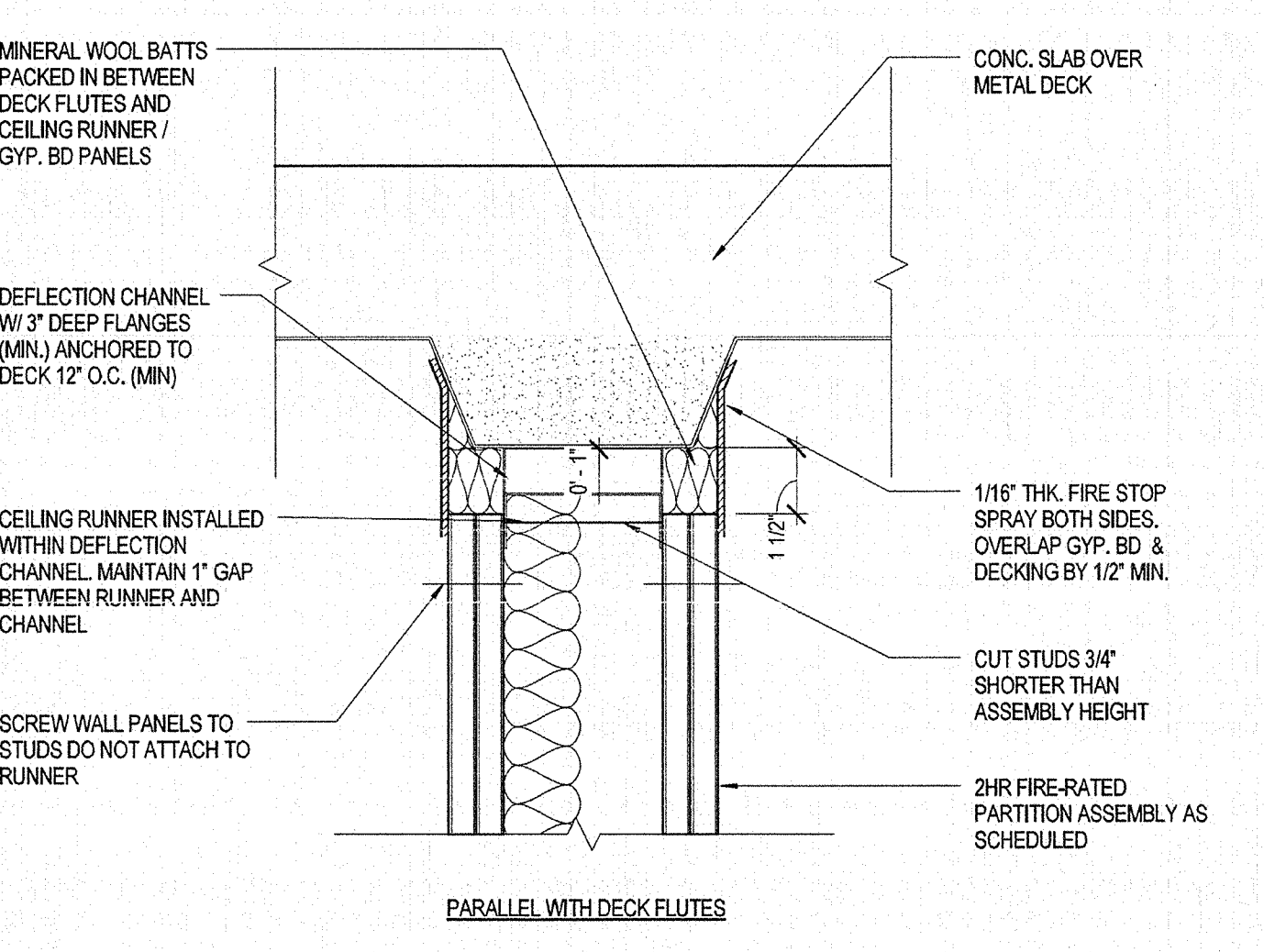
PARTITION PRIORITY LEGEND	
TWO HOUR RATED FIRE AND SMOKE PARTITION	PRIORITY 1 HIGHEST
TWO HOUR RATED SHAFT/WALL	PRIORITY 2
TWO HOUR RATED PARTITION	PRIORITY 3
ONE HOUR SMOKE PARTITION	PRIORITY 4
ONE HOUR RATED PARTITION	PRIORITY 5
PARTITION TO DECK	PRIORITY 6 LOWEST
PARTITION TO 4\"/>	



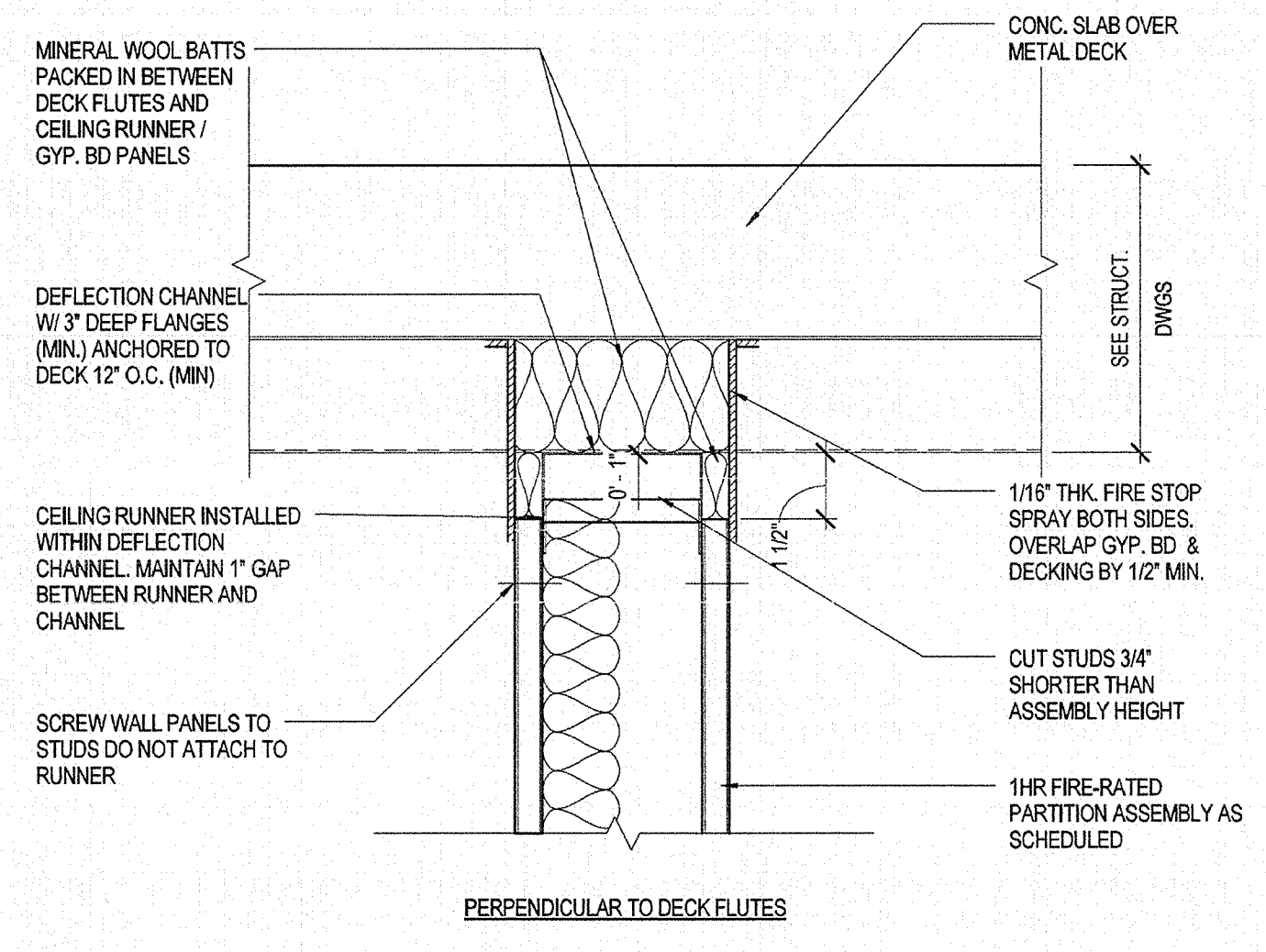
D1 PARTITION PRIORITY LEGEND
1 1/2\"/>



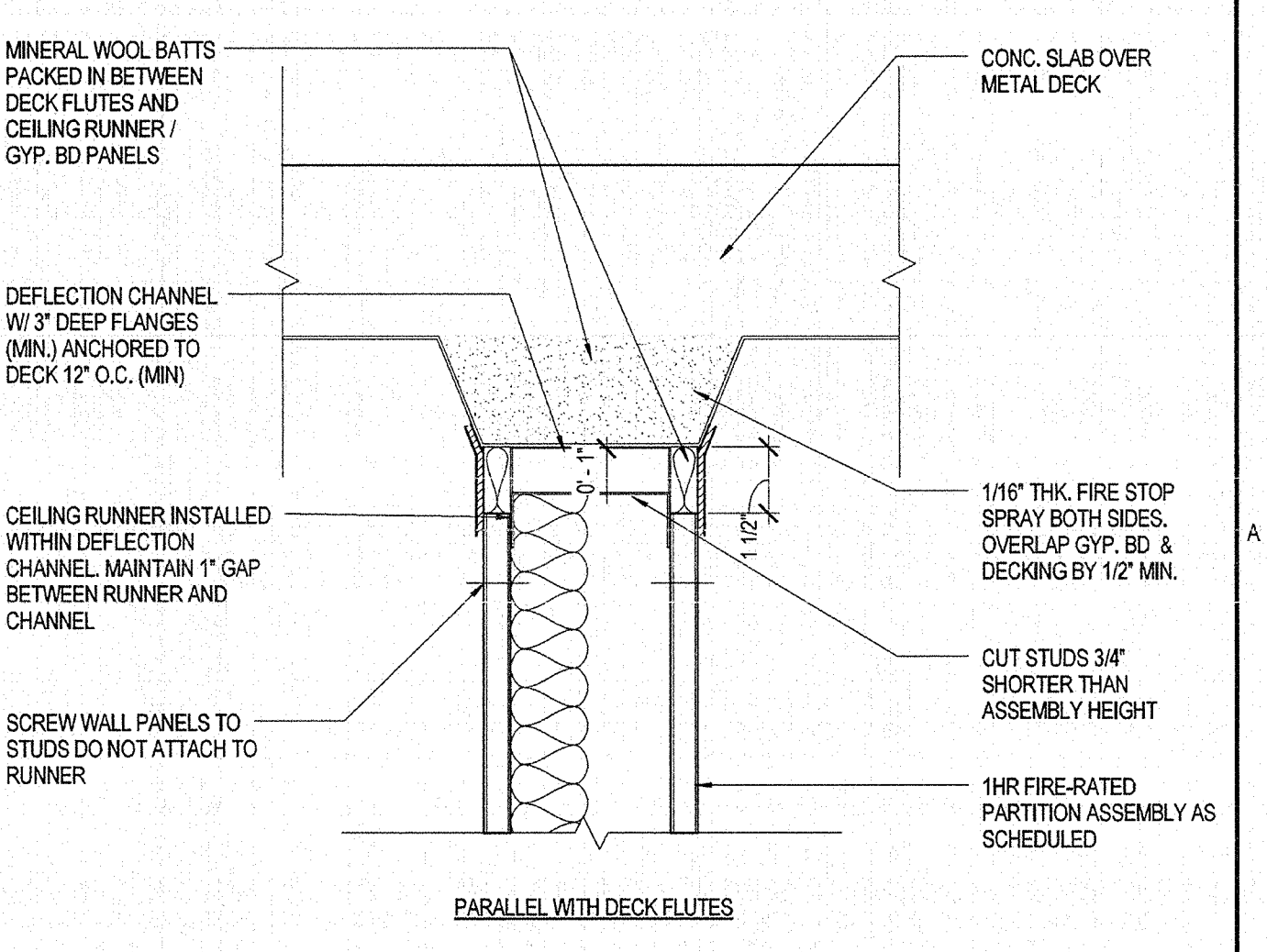
C4 PARTITION HEAD DETAIL
3\"/>



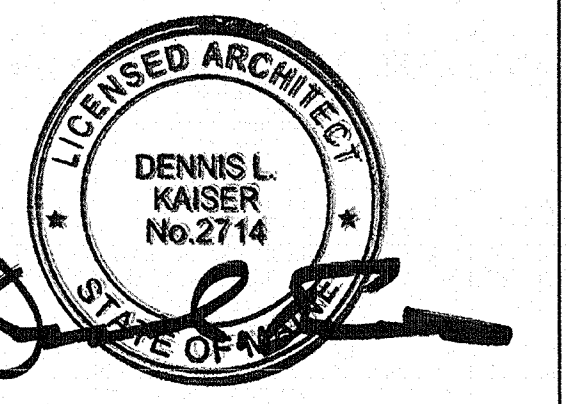
C2 PARTITION HEAD DETAIL
3\"/>



C2 PARTITION HEAD DETAIL
3\"/>



C2 PARTITION HEAD DETAIL
3\"/>



Revisions

ISSUED FOR PERMIT	08.11.2014
ISSUED FOR BID	07.11.2014
NO	ISSUE DATE
Sheet Information	
Date	AUGUST 11, 2014
Job #	152188.010
Drawn	Author
Checked	Checker
Approved	Approver

**PARTITION HEAD
AND MISC GWB
DETAILS**

Sheet
A00-41