



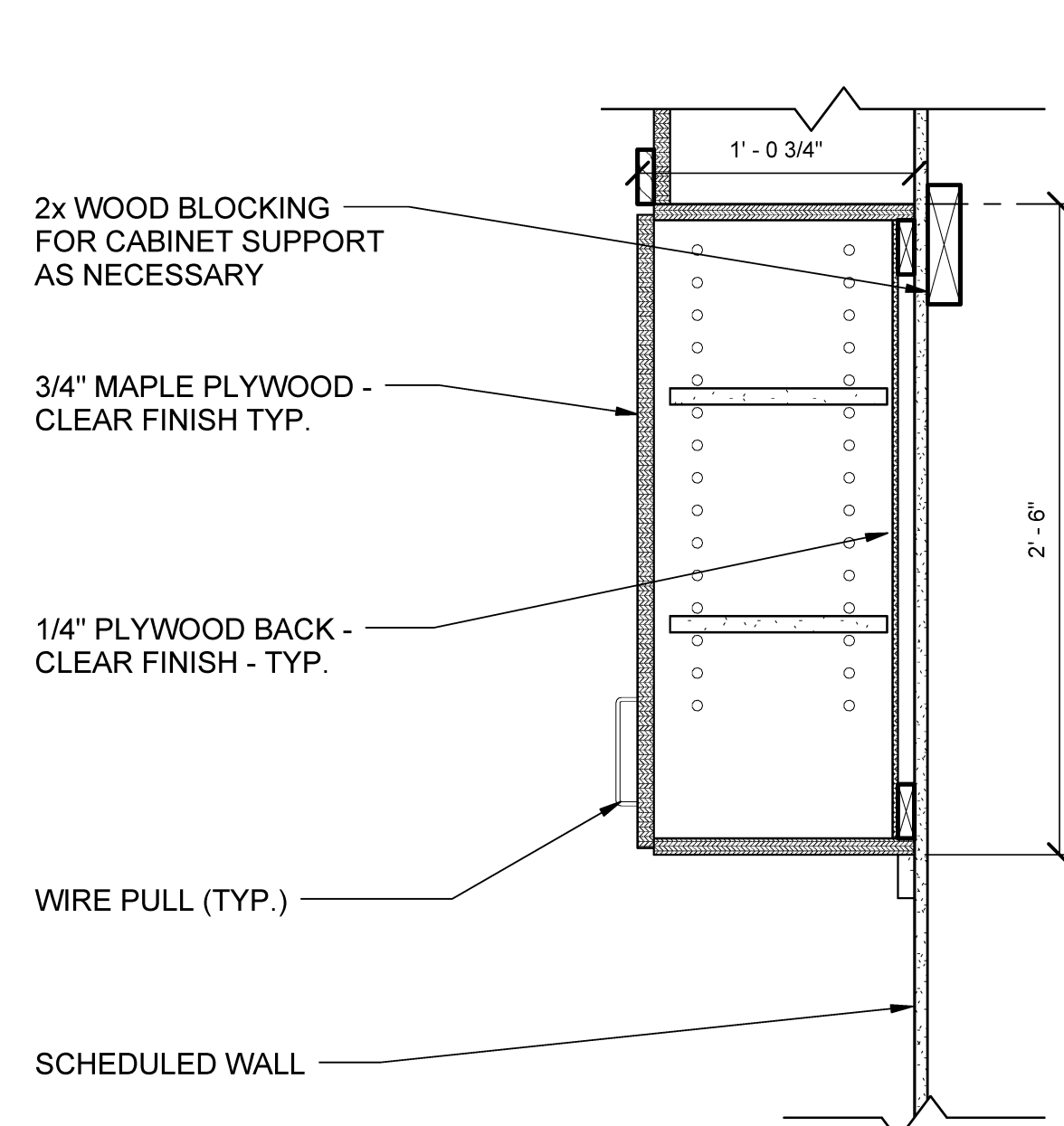
HARRIMAN

AUBURN PORTLAND MANCHESTER

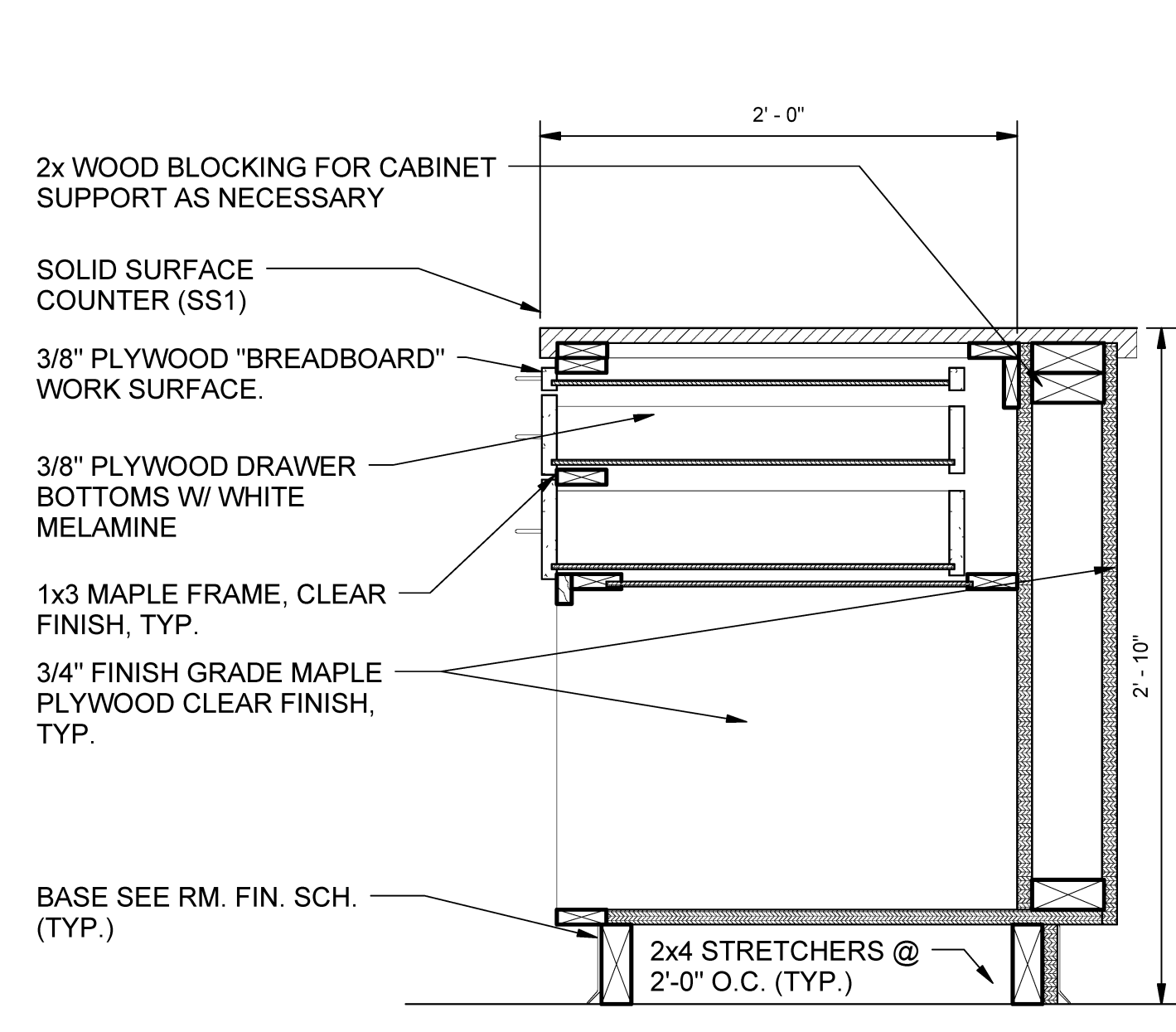
**MAINE MEDICAL CENTER
BOUTIQUE RELOCATION**

PORTLAND, MAINE

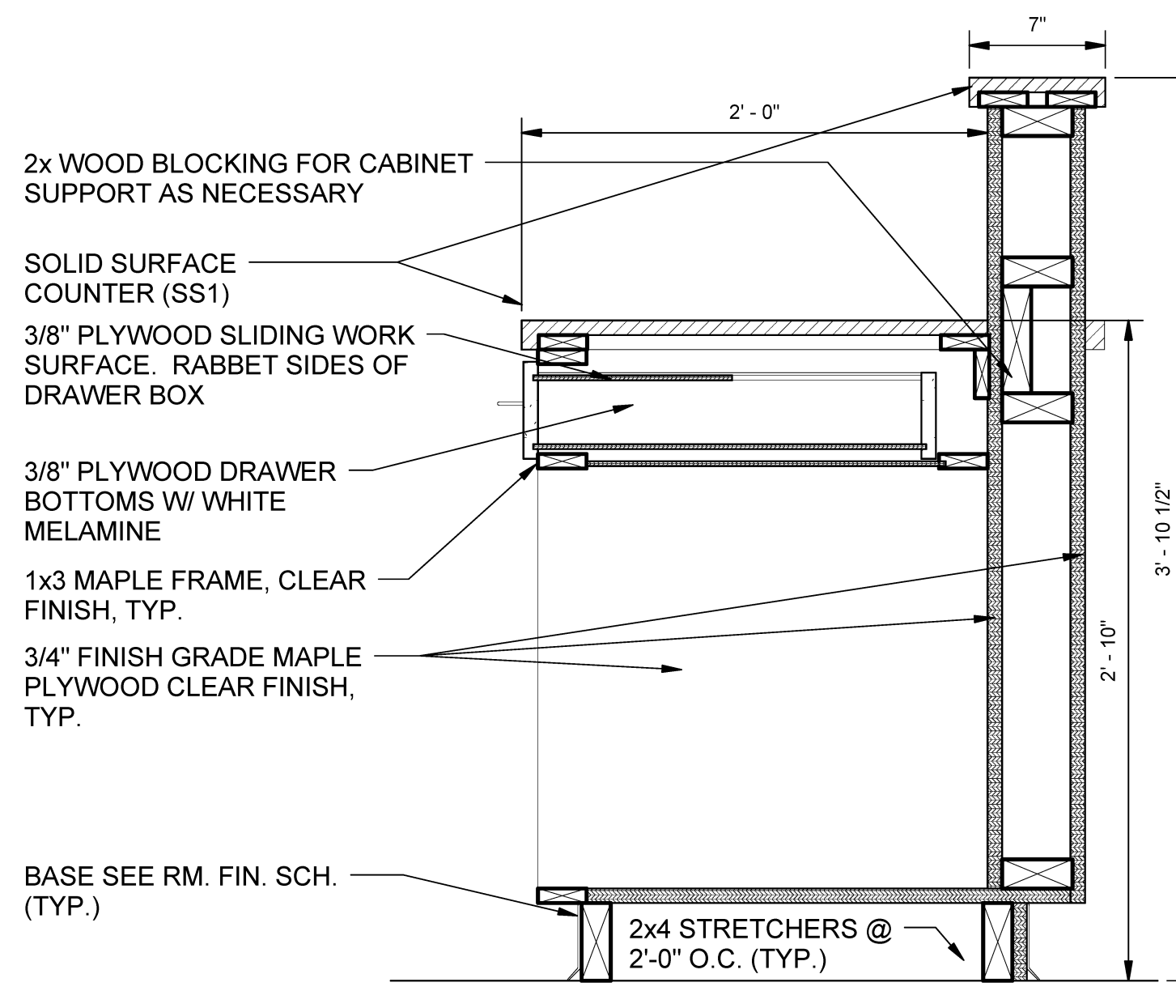
Harriman Project No. 14428



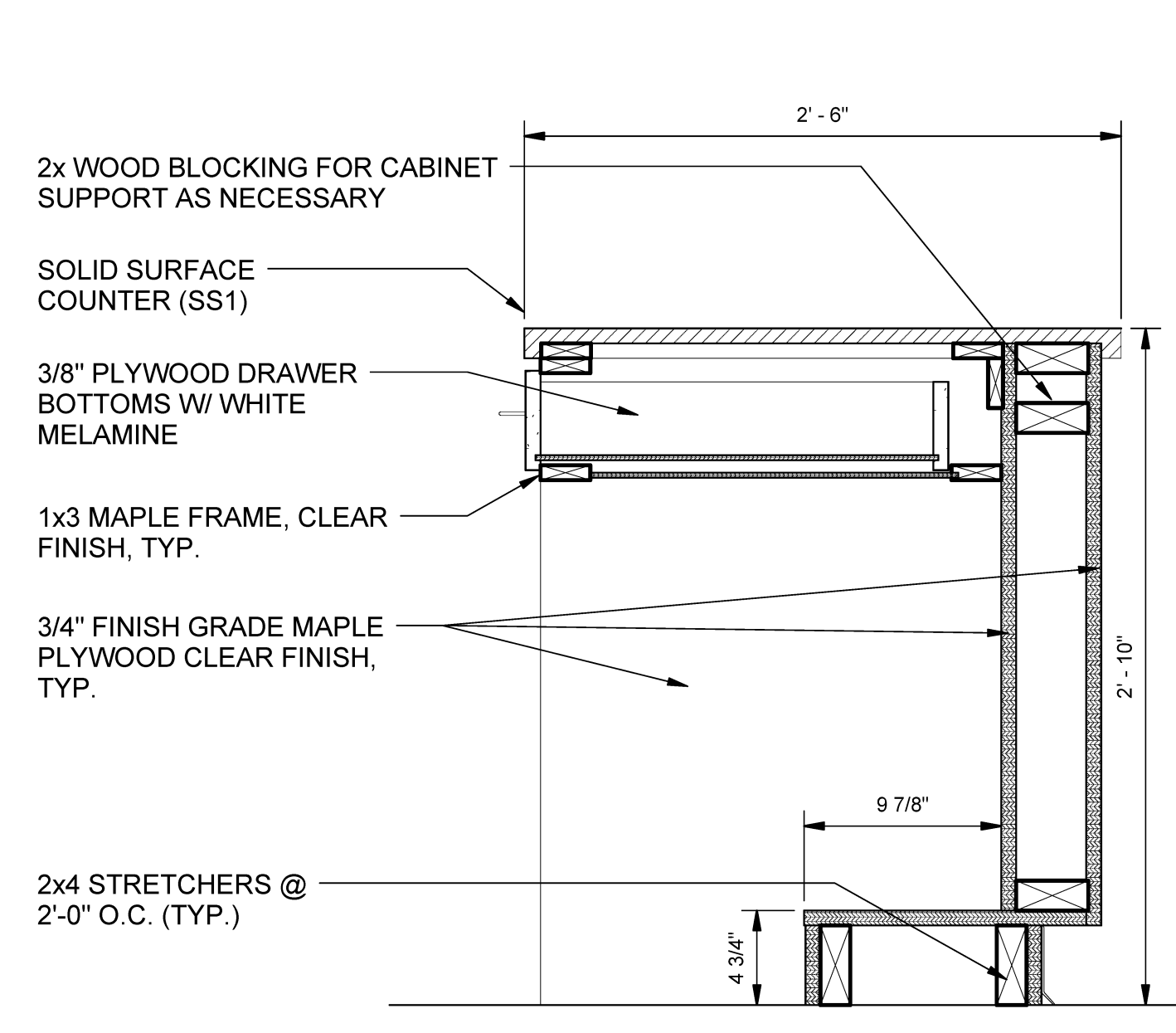
C1 UPPER CABINET DETAIL
SCALE: 1 1/2" = 1'-0"



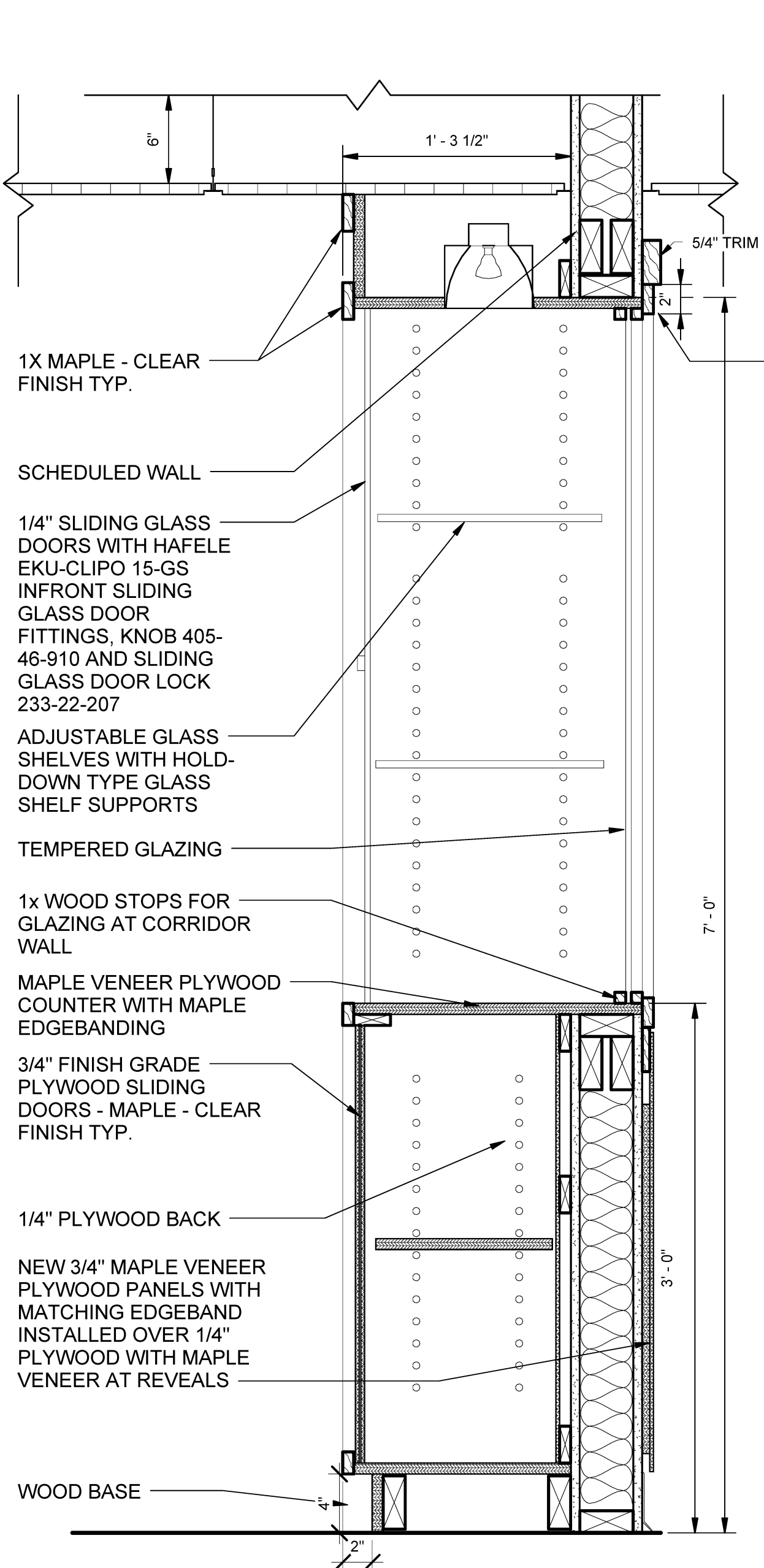
C2 CHECKOUT COUNTER @ TISSUE DRAWER
SCALE: 1 1/2" = 1'-0"



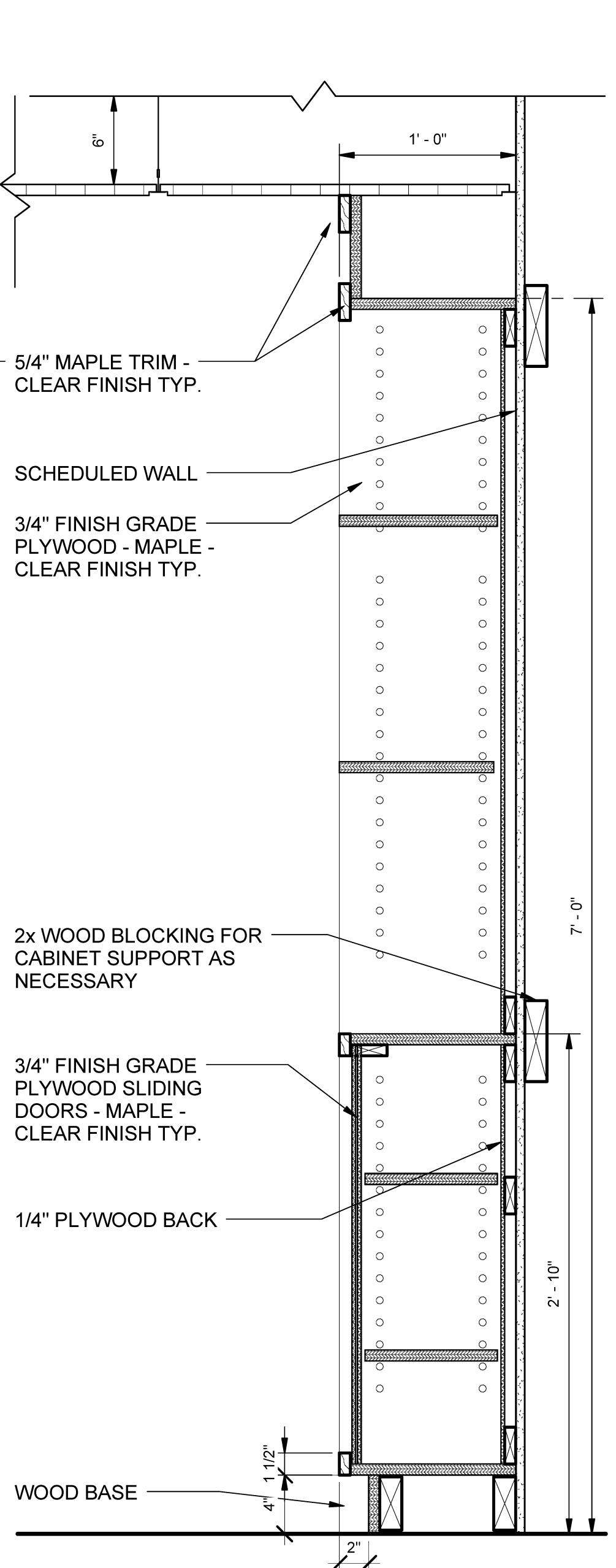
C3 CHECKOUT COUNTER @ COMPUTER AREA
SCALE: 1 1/2" = 1'-0"



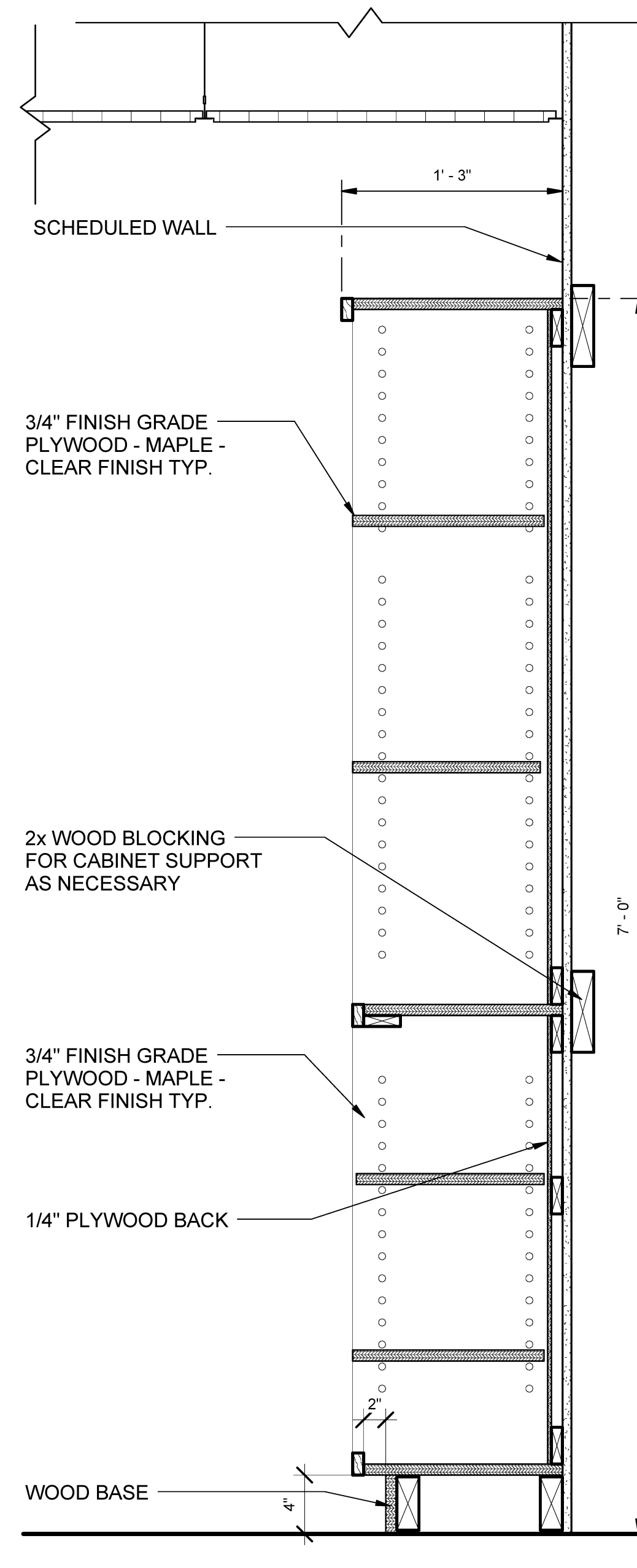
C4 CHECKOUT COUNTER @ CASH DRAWER
SCALE: 1 1/2" = 1'-0"



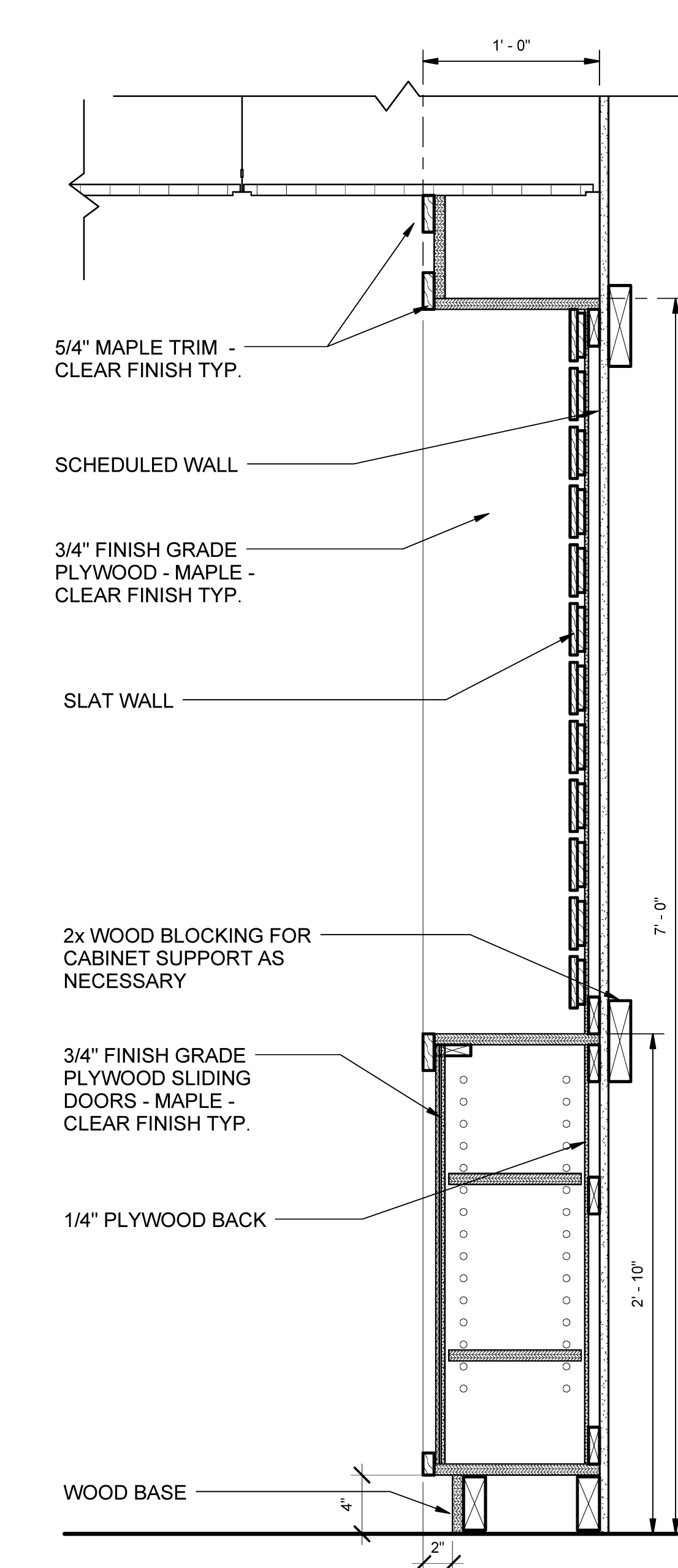
A1 WINDOW CABINET DETAIL
SCALE: 1 1/2" = 1'-0"



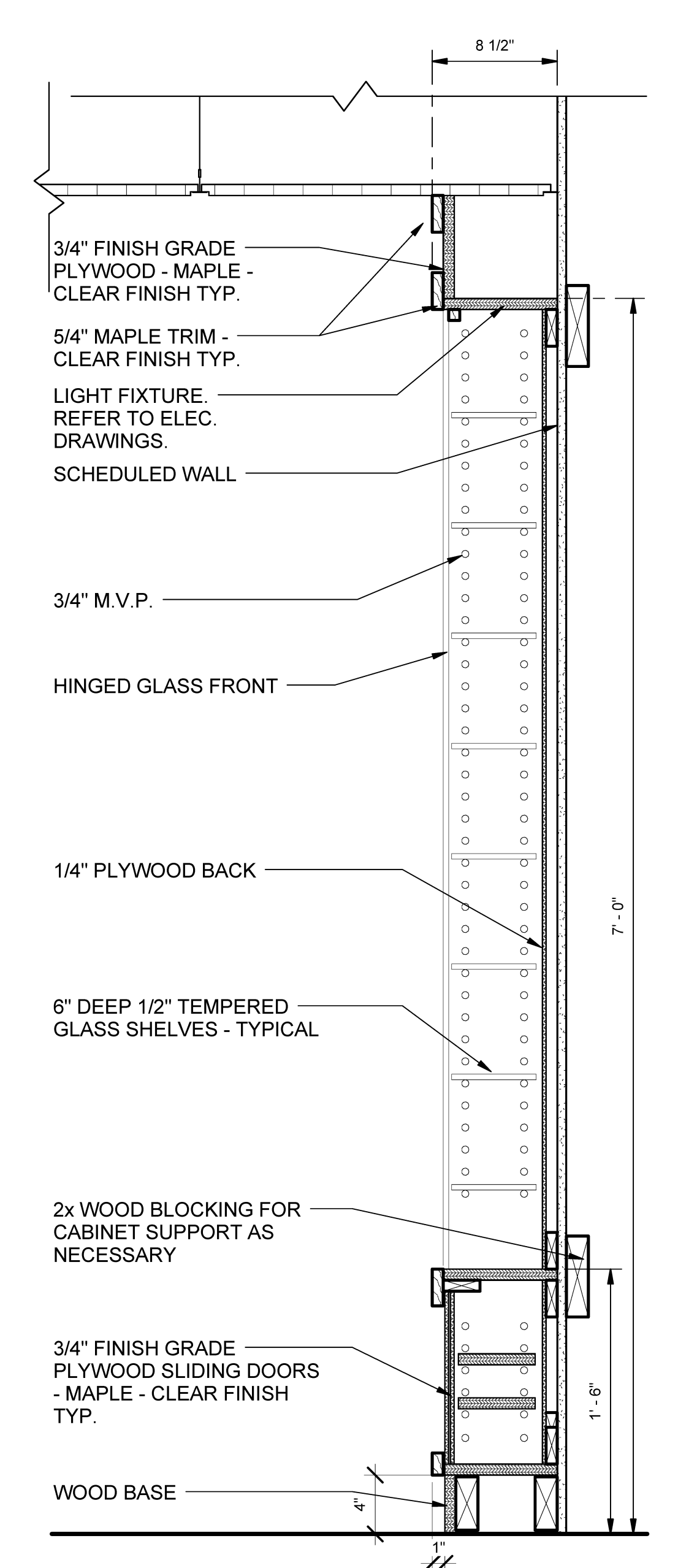
A2 TALL CABINET DETAIL
SCALE: 1 1/2" = 1'-0"



A3 TALL CABINET DETAIL
SCALE: 1 1/2" = 1'-0"



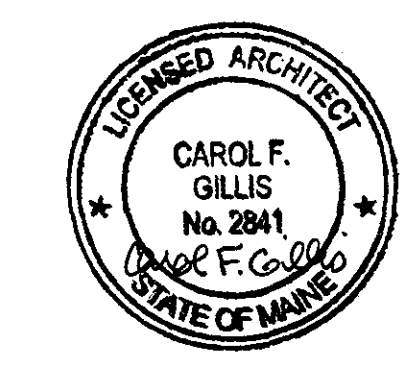
A4 TALL CABINET DETAIL
SCALE: 1 1/2" = 1'-0"



A5 TALL CABINET DETAIL
SCALE: 1 1/2" = 1'-0"

Issues and Revisions

Mark	Date	Description
	07-11-2014	ISSUED FOR CONSTRUCTION



Drawing Scales

Scale	Description
1 1/2" = 1'-0"	

PA / PE: CFG © 2014 Harriman Associates
 Drawn By: PJP

MILLWORK DETAILS

A83.1

Plot Date: 7/14/2014 9:21:33 AM