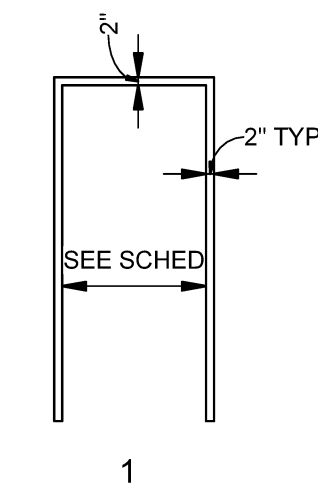


ROOM FINISH SCHEDULE										
ROOM NUMBER	ROOM NAME	FLOOR FINISH	BASE	WALL FINISH				CEILING		COMMENTS
				NORTH	EAST	SOUTH	WEST	MATERIAL	HEIGHT	
G248	CORRIDOR	EXIST/VCT	RB	P1	P1	P1	P1	ACT	7'-6" EXIST	*MATCH EXISTING VCT AT BOUTIQUE ENTRANCE
G255	BOUTIQUE	CPT	RB	P1	P1	P1	P1	ACT/GWB	VARIES*	*REFER TO RCP. GWB SOFFITS TO BE P2
G256	CHANGING ROOM	CPT	RB	P2	P2	P2	P2	ACT	8'-0"	

MATERIAL LEGEND					
MATERIAL	CODE NO.	MANUFACTURER or approved equal	SIZE	STYLE/COLOR	REMARKS
ACOUSTIC CEILING TILES	ACT1	USG	2'-0" X 2'-0"	FROST CLIMA PLUS #414 SLB EDGE	15/16" GRID
CARPET	CPT1	LEE'S WINTER LATTICE	12'-0" ROLL	406 GOLDSMITH	
PAINT	P1	SHERWIN WILLIAMS SUPERPAINT	-	SW6119 ANTIQUE WHITE	
PAINT	P2	SHERWIN WILLIAMS SUPERPAINT	-	SW6106 KILIM BEIGE	
RESILIENT BASE	RB1	JOHNSONITE	4"	#40 BLACK	RUBBER BASE
SOLID SURFACE	SS1	CORIAN	-	ROSEMARY	

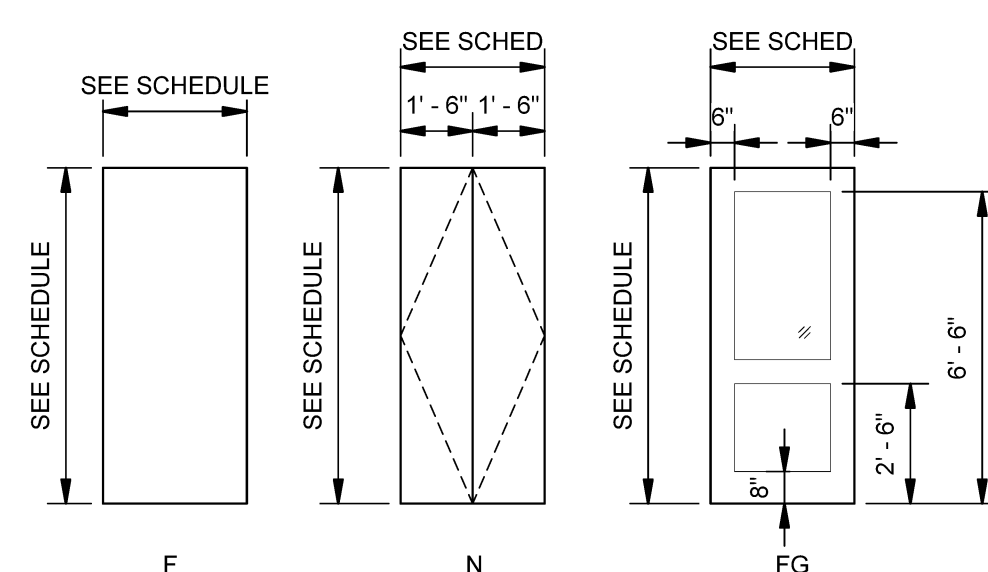
DOOR AND FRAME SCHEDULE													
No.	DOOR PANELS				FRAME				FIRE RATING	HDW SET	REMARKS		
	PANEL SIZE				MAT	TYPE	GLAZING	MAT / FIN				DETAILS	
	PANELS	WIDTH	HEIGHT	THICK								HEAD	JAMB
1ST FLOOR													
G255	(1)	3'-0"	7'-0"	1 3/4"	WD	FG	TEMP	HM	D3/A60.1	C3/A60.1	-	2	
G256a	(1)	3'-0"	7'-0"	1 3/4"	WD	F	-	HM	D3/A60.1	C3/A60.1	-	3	
G256b	(2)	1'-6"	7'-0"	1 3/4"	WD	N	-	HM	D3/A60.1	C3/A60.1	-	1	

- DOOR HARDWARE:**
- ACTIVE LEAF: HINGES (3 PER LEAF) LOCKSET (CLASSROOM FUNCTION), WALL STOP. INACTIVE LEAF: HINGES (3 PER LEAF), AUTOMATIC FLUSH BOLTS, WALL STOP.
 - HINGES (3 PER LEAF), LOCKSET (ENTRANCE FUNCTION), WALL STOP.
 - HINGES (3 PER LEAF), LOCKSET (PRIVACY FUNCTION), WALL STOP.

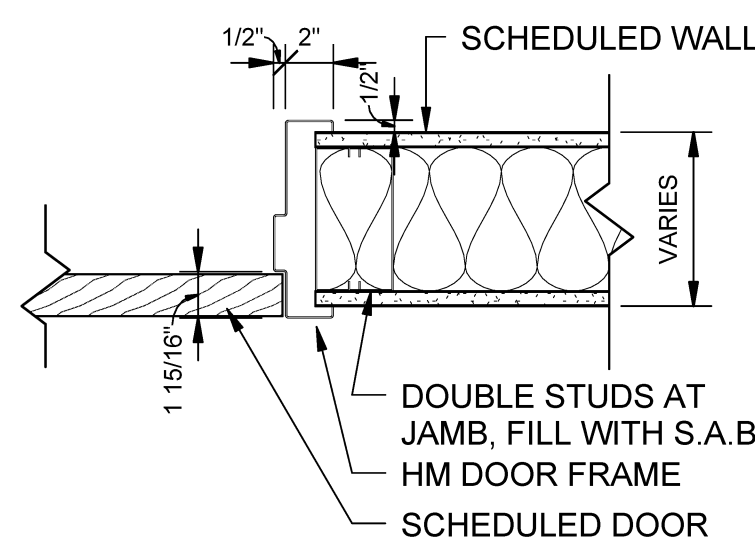


- ALL HM FRAMES SHALL BE 2" UNLESS NOTED OTHERWISE.
- ALL HM FRAMES TO BE PAINTED P1, U.N.O.

C1 FRAME TYPES
SCALE: 1/4" = 1'-0"

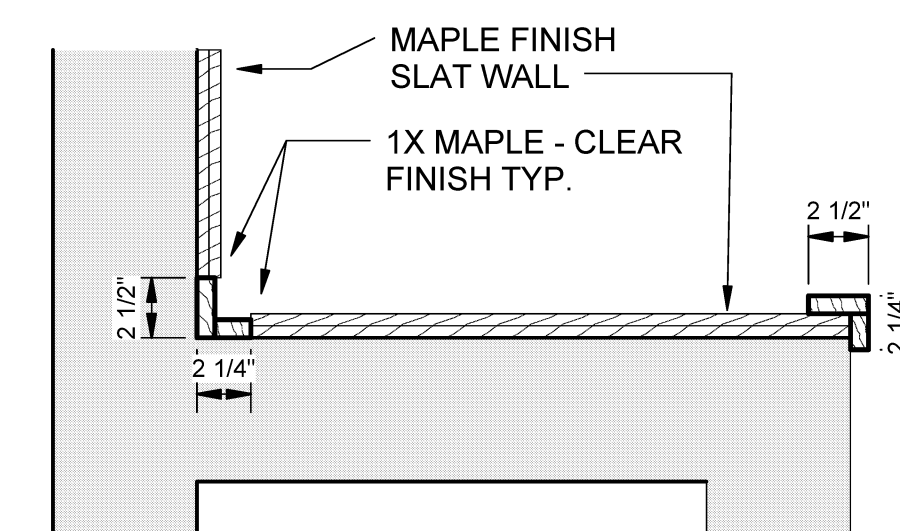


C2 DOOR TYPES
SCALE: 1/4" = 1'-0"

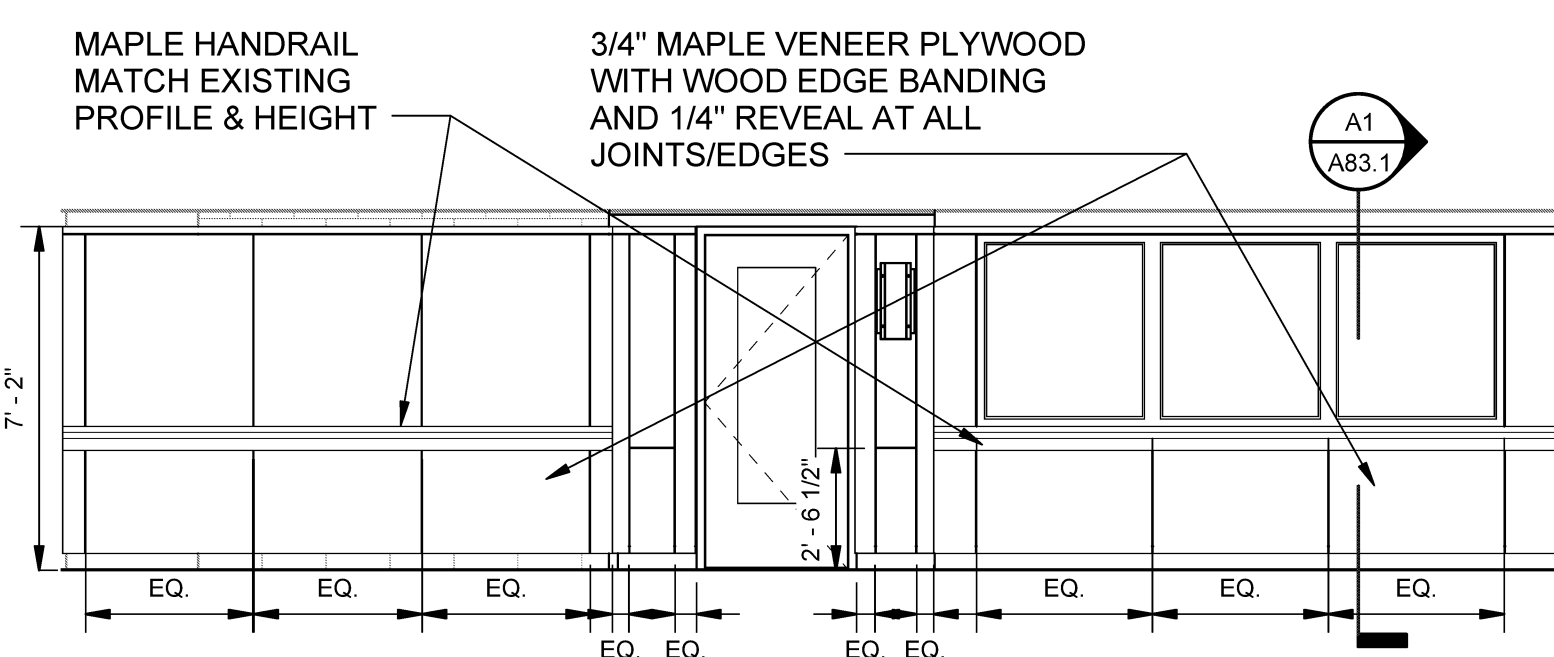


- NOTES:**
- WALL TYPE & THICKNESS VARIES, SEE PLANS FOR WALL TYPES
 - FRAME DEPTH VARIES. SEE DOOR SCHEDULE

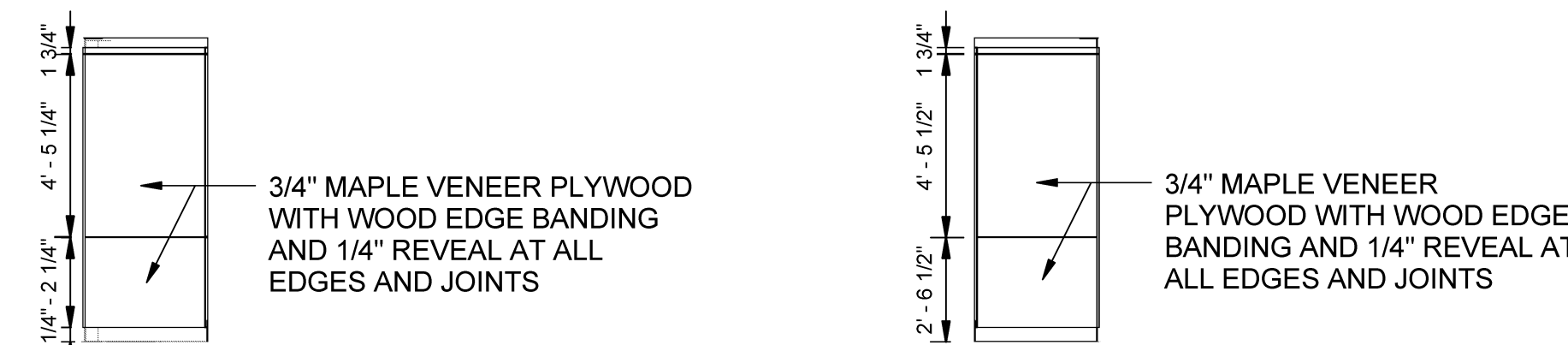
C3 TYP. JAMB DETAIL HM FRAME
SCALE: 1 1/2" = 1'-0"



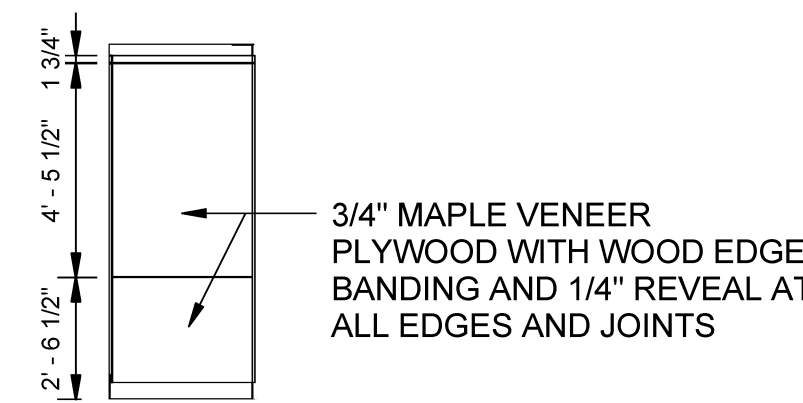
C4 SLAT WALL CORNER DETAIL
SCALE: 1 1/2" = 1'-0"



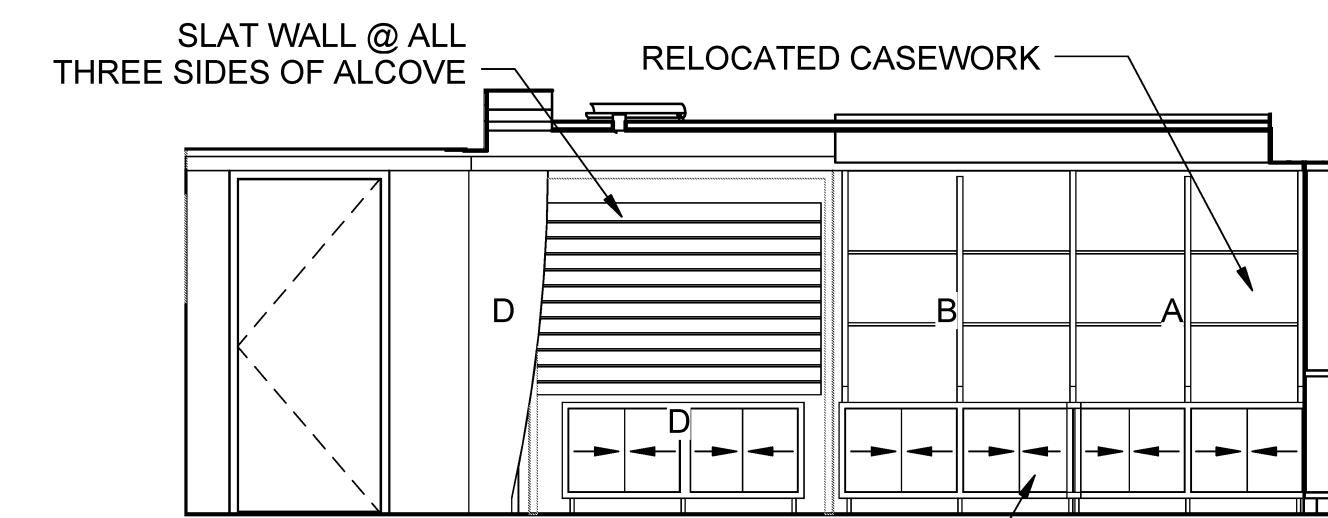
B1 CORRIDOR - SOUTH ELEVATION
SCALE: 1/4" = 1'-0"



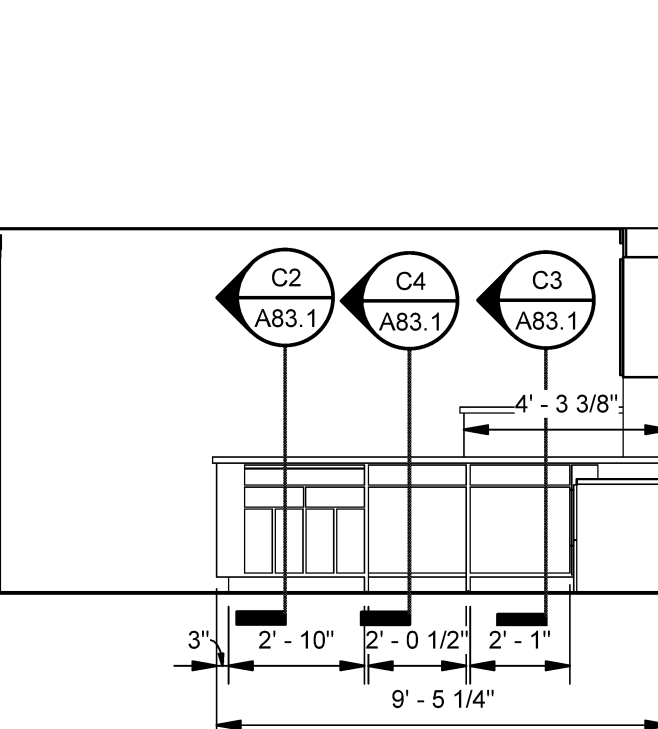
B3 ENTRANCE - EAST ELEVATION
SCALE: 1/4" = 1'-0"



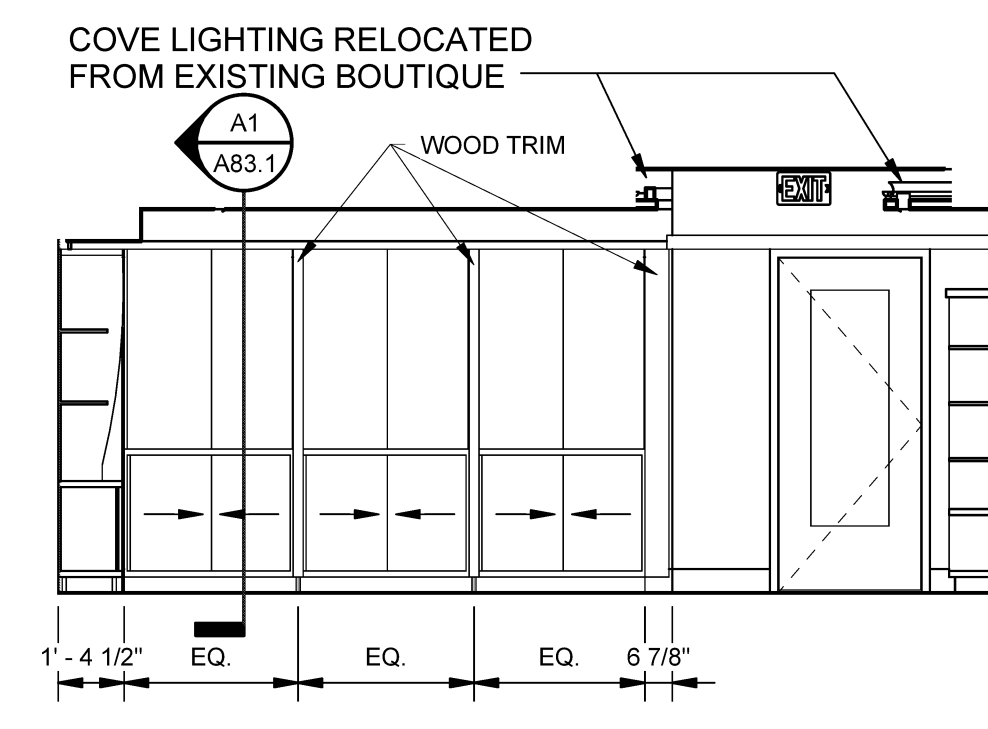
B4 ENTRANCE - WEST ELEVATION
SCALE: 1/4" = 1'-0"



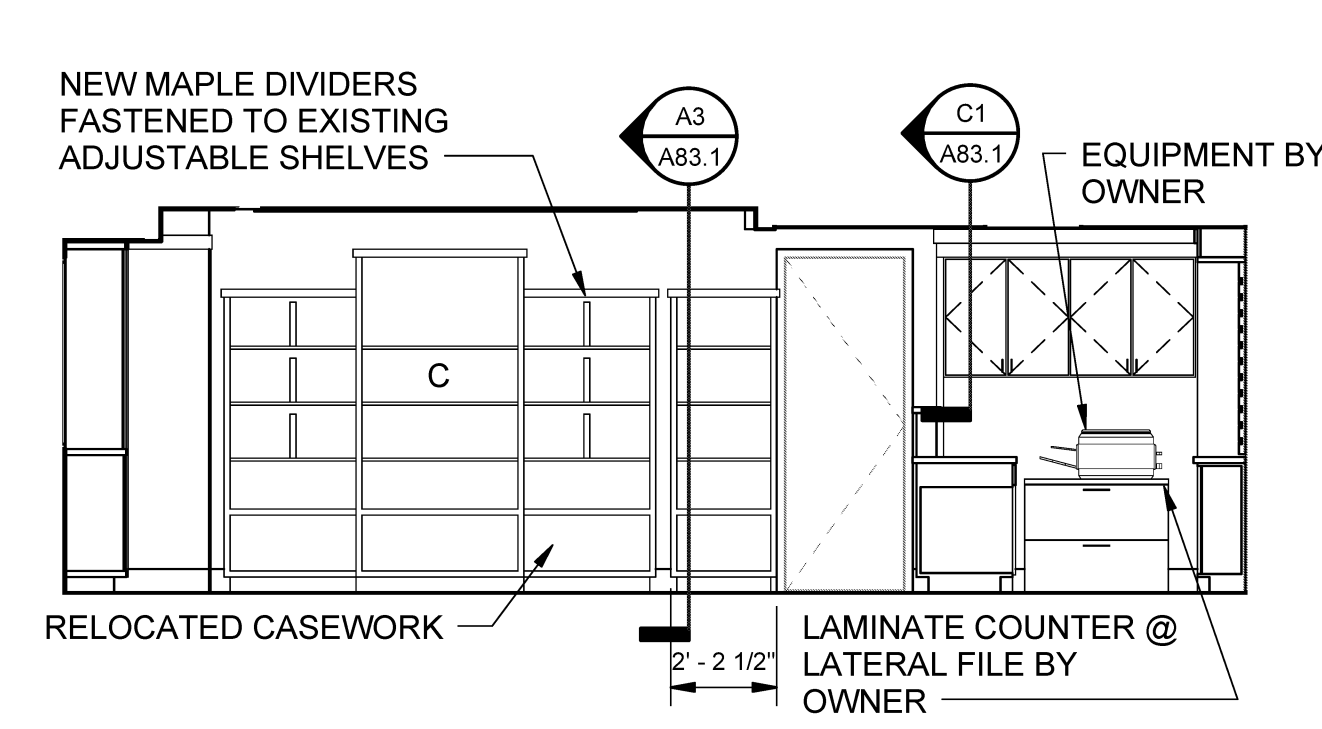
B5 WEST ELEVATION
SCALE: 1/4" = 1'-0"



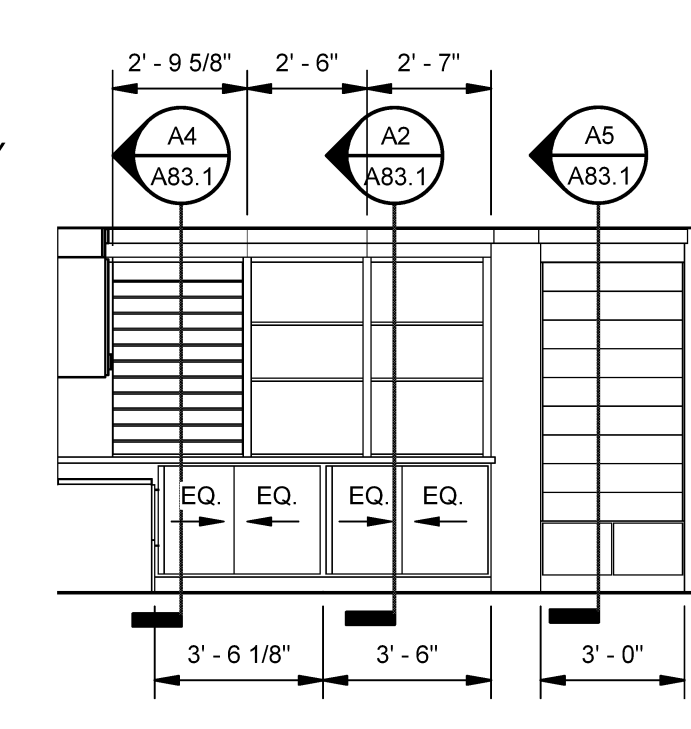
A1 CHECKOUT DESK - NORTH ELEVATION
SCALE: 1/4" = 1'-0"



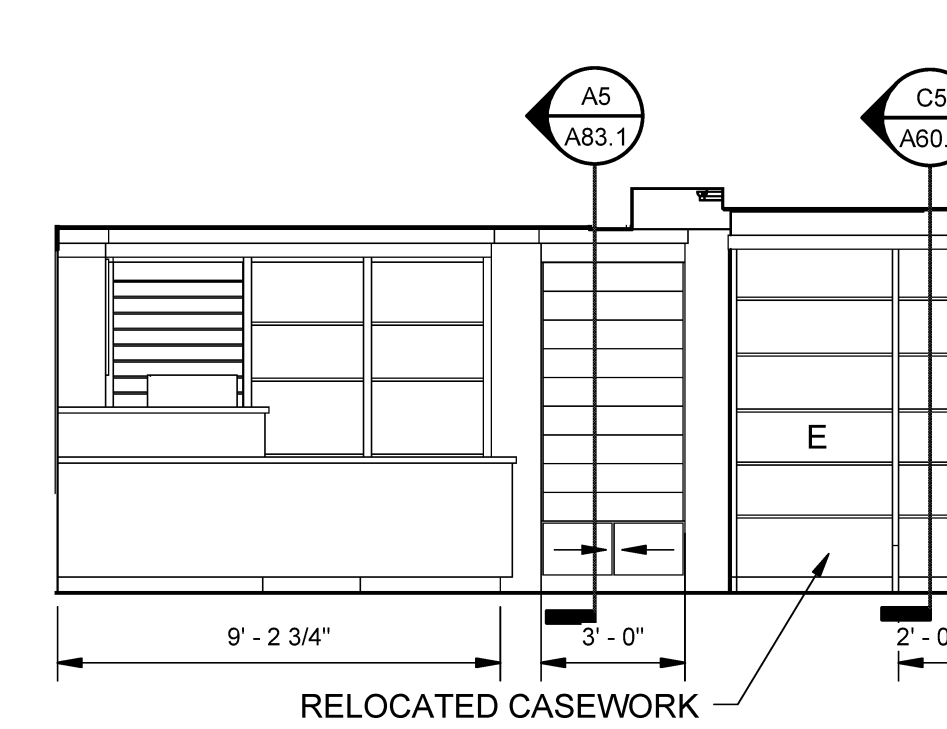
A2 NORTH ELEVATION
SCALE: 1/4" = 1'-0"



A3 EAST ELEVATION
SCALE: 1/4" = 1'-0"

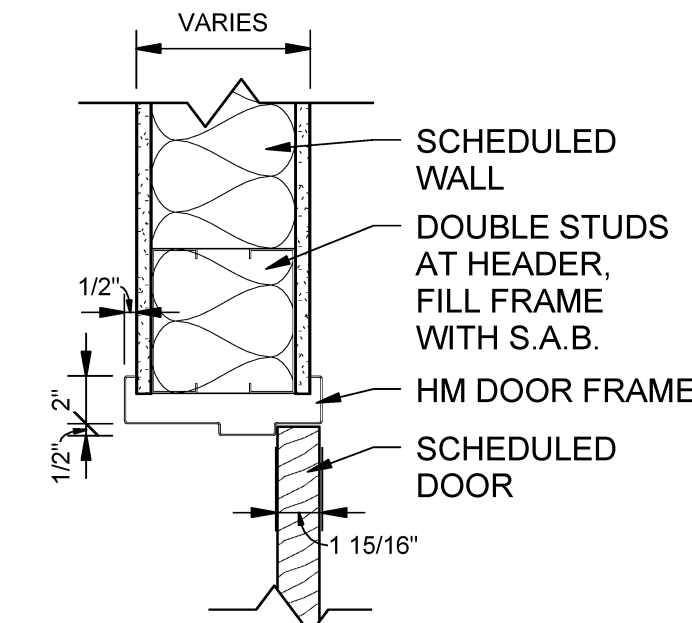


A4 CHECKOUT DESK - SOUTH ELEVATION
SCALE: 1/4" = 1'-0"



A5 SOUTH ELEVATION
SCALE: 1/4" = 1'-0"

D3 TYP. HEAD DETAIL, HM FRAME
SCALE: 1 1/2" = 1'-0"



- NOTES:**
- WALL TYPE & THICKNESS VARIES, SEE PLANS FOR WALL TYPES
 - FRAME DEPTH VARIES. SEE DOOR SCHEDULE

MILLWORK/CASEWORK SPECIFICATIONS

WOOD SPECIES: WHITE MAPLE, MATCH FINISH OF RELOCATED CASEWORK

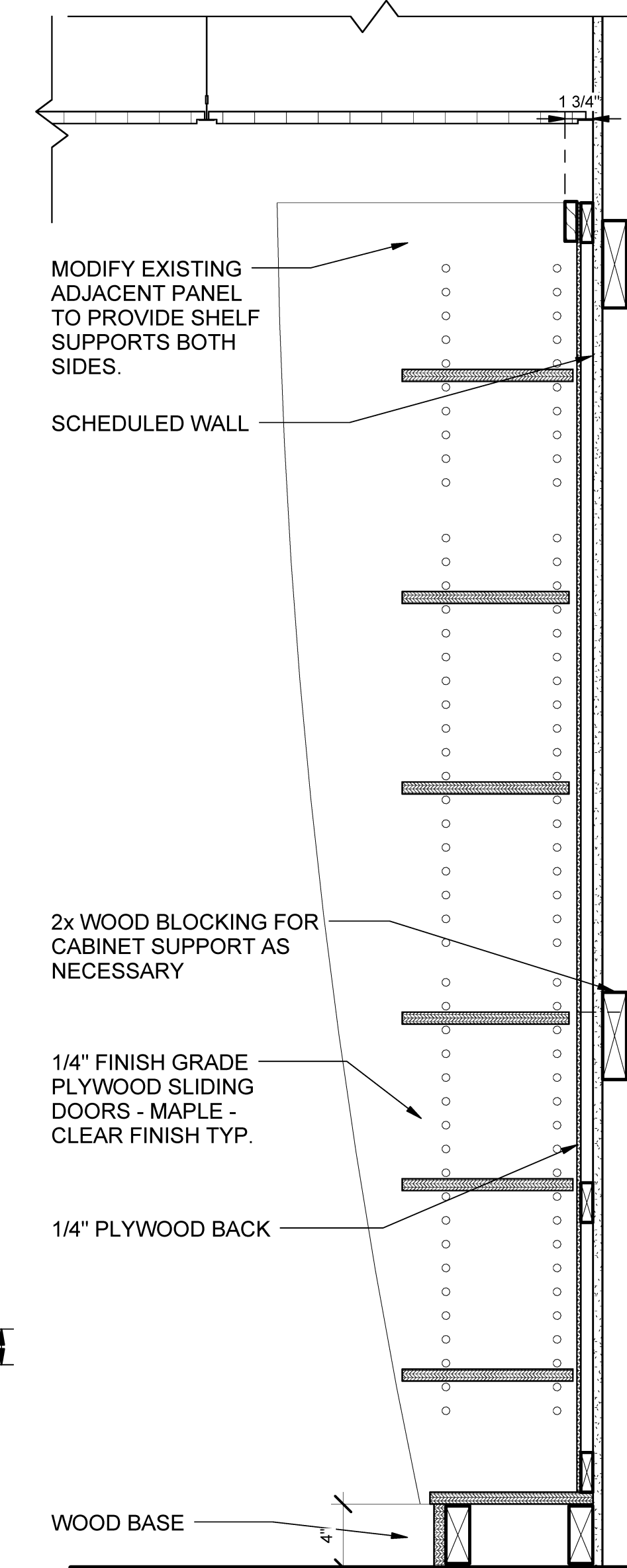
WOOD CABINETS AND COUNTERTOPS: AWI CUSTOM GRADE.

SOLID SURFACE COUNTERTOPS: CORIAN ROSEMARY

GLAZING AT CABINET DOORS: 1/8" THICK TEMPERED GLASS, CLEAR.

CABINET HARDWARE:

- DOOR AND DRAWER PULLS: BACK-MOUNTED WIRE PULL 5" LONG, 3/8" DIAMETER, BRUSHED CHROME OVER BRASS OR BRONZE. IVES MODEL 38 OR EQUAL.
- BOX DRAWER SLIDES: SIDE MOUNTED AND EXTENDING UNDER BOTTOM EDGE OF DRAWER, 3/4" EXTENSION TYPE, EPOXY COATED WITH POLYMER ROLLERS.
 - GRADE 1 FOR DRAWERS NOT MORE THAN 6" HIGH OR METABOX TYPE M BY BLUM.
 - GRADE 2 FOR DRAWERS MORE THAN 6" HIGH OR METABOX TYPE H BY BLUM.
- GROMMET FOR CABLE PASSAGE THROUGH COUNTERTOP: 3" OD BLACK MOLDED PLASTIC GROMMET AND MATCHING PLASTIC CAPS WITH SLOT WIRE PASSAGE. DOUG MOCKETT & CO. EDP SERIES OR EQUAL.
- ADJUSTABLE SHELF SUPPORTS: BMHA GRADE 1 PILASTER STANDARDS AND CLIPS OR BHMA A156.9, B04013; METAL SHELF RESTS, TWO-PIN TYPE WITH SHELF HOLD-DOWN CLIP, INSTALLED IN HOLES DRILLED IN CABINET SIDES AND PARTITIONS
- FRAMELESS CONCEALED HINGES (EUROPEAN TYPE): BHMA A156.9, B01602, 135 DEGREES OF OPENING, SELF-CLOSING.



HARRIMAN

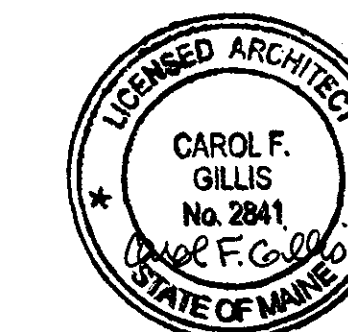
AUBURN PORTLAND MANCHESTER

MAINE MEDICAL CENTER BOUTIQUE RELOCATION

PORTLAND, MAINE

Harriman Project No. 14428

Mark	Date	Description
	07-11-2014	ISSUED FOR CONSTRUCTION



Drawing Scales	
As indicated	

PA/PE: CFG © 2014
 Drawn By: PJP Harriman Associates

DOOR SCHEDULE

A60.1