

NO.	ISSUED FOR PERMIT	DATE
1	ISSUED FOR PERMIT	04.24.14
NO.	ISSUE	DATE
Sheet Information		
Date	MARCH 07, 2014	
Job Number	152168.002	
Drawn	Author	
Checked	Checker	
Approved	Approver	
Title		

PARTITION GENERAL NOTES

NOTE: PARTITION DESIGNATIONS OMITTED OR SKIPPED IS INTENTIONAL.

1. GENERAL

- A. REFER TO A-100 & A-200 SERIES DRAWINGS FOR SCHEDULED PARTITION LOCATIONS AND TYPES.
- B. REFERENCE ROOM FINISH SCHEDULE FOR BASES AND FINAL FINISHES NOT SHOWN ON PARTITION TYPES.
- C. SEE SUPPLEMENTAL DETAILS ON THE FOLLOWING SHEETS FOR SPECIFIC HEAD, JAMB & BASE OF WALL CONDITIONS. FOR RATED PARTITIONS REFER TO RATED HEAD CONDITIONS.
- D. CONSTRUCT RATED PARTITIONS BEFORE NON-RATED.

2. FRAMING

- A. ALL NON-BEARING PARTITIONS SHALL BE CONSTRUCTED TO LIMIT DEFLECTION TO L/240 WITH UNIFORM S.P.F. LOADING. PROVIDE ADDITIONAL STRUCTURE AS REQUIRED AT ALL PARTITIONS TO MEET PERFORMANCE CRITERIA, UNLESS NOTED OTHERWISE. CONTRACTOR SHALL VERIFY ALL STUD GAUGE AND SPACING TO MEET SPECIFIED LATERAL LOADS AND DEFLECTION CRITERIA. ADDITIONAL LOADING CRITERIA IS AS FOLLOWS:
ELEVATOR HOISTWAYS: 10 PSF
MECHANICAL SHAFTS: 10 PSF
LOADING DOCK: TBD
- B. PROVIDE DOUBLE STUD FRAMING AT ALL JAMBS OF FRAMES AND CASING OPENINGS.
- C. ISOLATE PARTITION FRAMING FROM STRUCTURAL ELEMENTS TO PREVENT THE TRANSFER OF LOADS TO PARTITION ASSEMBLIES. INSTALL SLIP TRACK TRACK ASSEMBLIES PER DETAILS.
- D. WHERE CONTROL JOINTS ARE REQUIRED BASED UPON SPECIFIED FREQUENCY, AND ARE NOT SHOWN ON INTERIO ELEVATIONS, LOCATE CONTROL JOINTS ON BOTH STRIKE AND SWING SIDE OF DOORS. WHEN PROVIDING CONTROL JOINTS AT DOORS DOES NOT MEET THE SPECIFIED FREQUENCY, PROVIDE DOUBLE STUD CONTROL JOINT CONSTRUCTION AND VERIFY LOCATION WITH THE ARCHITECT PRIOR TO PROCEEDING WITH ANY INSTALLATION OF CONTROL JOINTS.
- E. DO NOT FASTEN STUDS OR GYPSUM BOARD PANELS TO TOP RUNNER (METAL TRACK, USE RUNNER / TRACK WITH 1-1/2" LONG FLANGES, MIN).
- F. PROVIDE ADEQUATE SHEET METAL OR STEEL BACKING FOR ALL WALL MOUNTED ARCHITECTURAL WOODWORK, FINISH CARPENTRY, TOILET PARTITIONS AND ACCESSORIES AND SIMILAR MOUNTED ITEMS.
- G. COORDINATE ALL FRAMING ASSEMBLIES WITH ALL ADJACENT BUILDING TRADES INCLUDING BUT NOT LIMITED TO MECHANICAL, ELECTRICAL, PLUMBING AND FIRE PROTECTION.
- H. REFER TO MEP AND FP DRAWINGS FOR OPENING AND PENETRATION REQUIREMENTS AT FULL HEIGHT PARTITIONS.
- I. PROVIDE STUDS DESIGNED FOR SPRINKLER PIPING (EMPCOR SP-NOTCH SYSTEM OR EQUAL) AT ALL LOCATIONS WHERE SPRINKLER PIPING IS CONCEALED WITHIN WALLS - VERIFY LOCATIONS WITH SPRINKLER CONTRACTOR.

3. GYPSUM BOARD

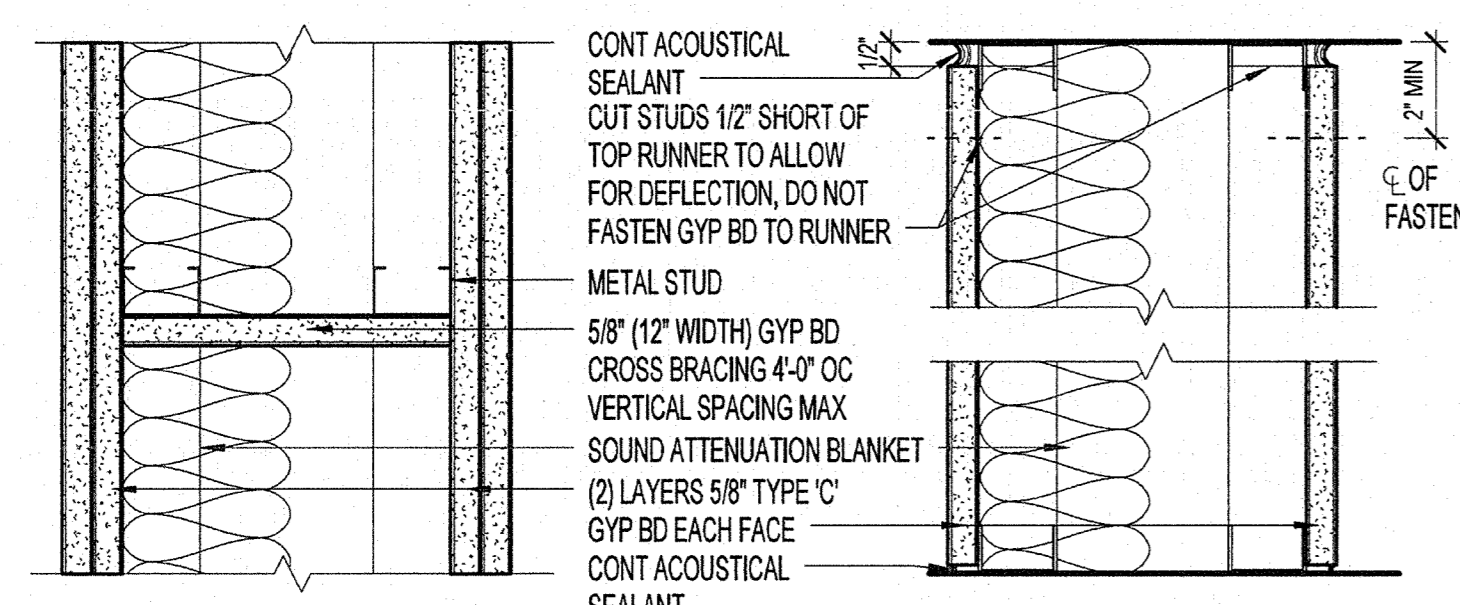
- A. ITEMS SHOWN OR SCHEDULED TO BE SEMI OR FULLY RECESSED SHALL BE INSTALLED FLUSH WITH FINISH FACE OF PARTITION UNLESS NOTED OTHERWISE. PARTITION DEPTH OR TYPE SHALL BE ADJUSTED TO ACCOMMODATE THE DEPTH OF RECESSED ITEM OR AS DIRECTED BY THE ARCHITECT.
- B. WATER RESISTANT GYPSUM BOARD AND/OR TILE BACKER BOARD WALL PANELS SHALL BE USED ON PARTITION ASSEMBLIES AT LOCATIONS SCHEDULED IN THE ROOM FINISH SCHEDULE.
- C. TAPE AND APPLY JOINT COMPOUND TO ALL INTERIOR CORNERS AND JOINTS OF GYP BD, UNLESS NOTED OTHERWISE FOR MOVEMENT CONTROL.
- D. INSTALL METAL CASING/TRIM AND APPLY JOINT COMPOUND TO ALL EXPOSED CORNERS OF GYPSUM BOARD UNLESS NOTE OTHERWISE.
- E. INSTALL METAL REVEALS WITH CONCEALED FASTENERS PER MANUFACTURERS INSTRUCTIONS. PROVIDE MITERED CORNERS, JOINTS AND INTERSECTIONS TO ALL REVEAL CONDITIONS, AND APPLY JOINT COMPOUND TO CONCEAL ALL REVEAL FLANGES.

4. FIRE RATED PARTITIONS

- A. PROVIDE PERMANENTLY STENCILED IDENTIFICATION ABOVE THE CEILING AT 4" O.C. ON ALL CORRIDOR PARTITIONS, SMOKE PARTITIONS, HORIZONTAL EXIT PARTITIONS, EXIT ENCLOSURES, AND FIRE RATED WALLS. THE IDENTIFICATION SHALL BE A MINIMUM OF 4" HIGH AND READ AS FOLLOWS: "FIRE AND SMOKE BARRIER - PROTECT ALL OPENINGS"
- B. RATED PARTITIONS ARE TO BE CONSTRUCTED BEFORE NON-RATED PARTITIONS. ABOUT NON-RATED PARTITIONS TO RATED PARTITIONS.
- C. ALL FIRE RESISTANCE RATED PARTITIONS SHALL BE CONSTRUCTED FROM TOP OF NON-FINISHED FLOOR CONSTRUCTION TO BOTTOM OF FLOOR CONSTRUCTION ABOVE.
- D. ALL PARTITIONS NOTED TO BE FIRE-RESISTANCE RATED SHALL BE CONSTRUCTED IN STRICT ACCORDANCE WITH THE REFERENCED FIRE RESISTANCE TEST. IF NO TEST IS REFERENCED, PROVIDE AN INDUSTRY RECOGNIZED FIRE RESISTANCE TEST OR LETTER OF ENGINEERING JUDGMENT FOR REVIEW PRIOR TO CONSTRUCTION.
- E. FIRE RATED HEAD CONDITIONS AND THROUGH PENETRATIONS, WHETHER A SUB-PART OF THE REFERENCED RATED ASSEMBLY, OR AS SHOWN IN DETAIL REPRESENT TYPICAL HEAD-OF-WALL CONDITIONS. ATYPICAL CONDITIONS DISCOVERED DURING REQUIRED TRADE COORDINATION ARE REQUIRED TO MAINTAIN THE INTEGRITY OF THE FIRE-RESISTANCE RATINGS NOTED ON THE FLOOR PLANS. PROVIDE AN INDUSTRY RECOGNIZED FIRE RESISTANCE TEST, OR LETTER OF ENGINEERING JUDGMENT, FOR ALL ATYPICAL CONDITIONS FOR REVIEW PRIOR TO CONSTRUCTION.
- F. ALL THROUGH PENETRATIONS IN FIRE-RESISTANCE RATED PARTITIONS SHALL BE SEALED WITH MATERIALS AND ASSEMBLIES NECESSARY TO MAINTAIN THE REQUIRED FIRE-RESISTANCE RATING OF THE PARTITION.

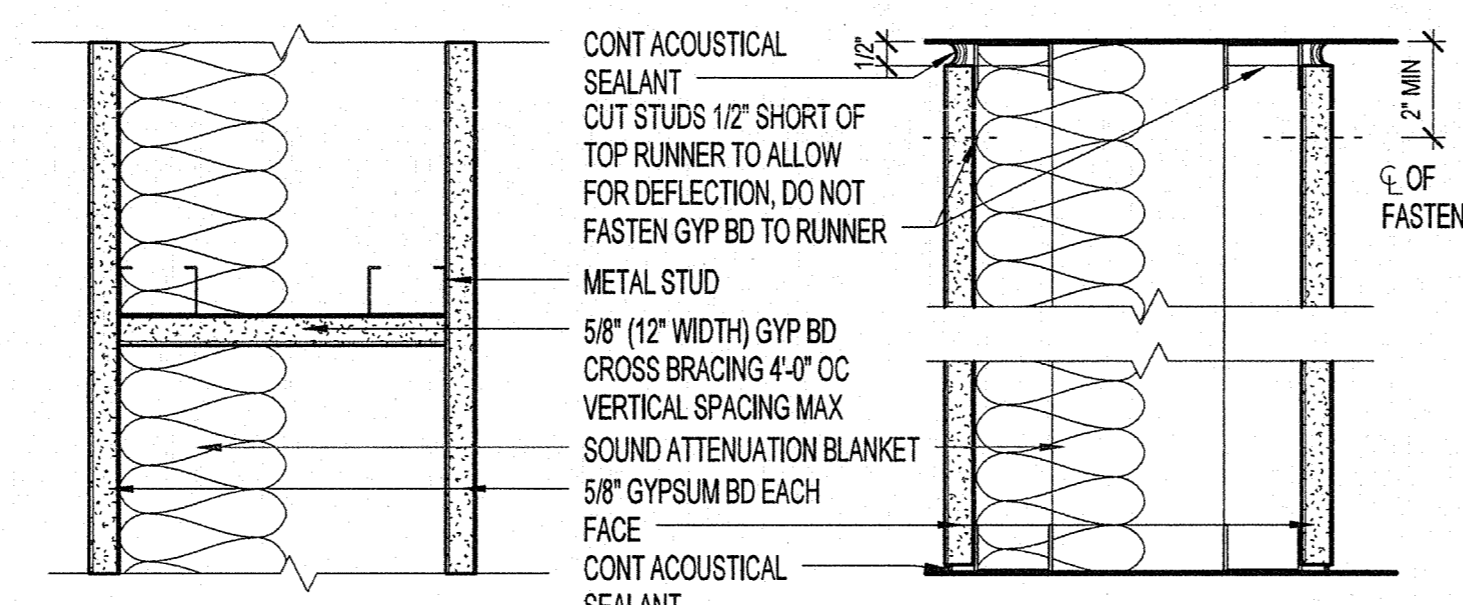
5. SOUND RESISTANCE RATING

- A. ALL PARTITIONS NOTED TO BE SOUND RESISTANCE RATED, SHALL BE CONSTRUCTED IN STRICT ACCORDANCE WITH THE REFERENCED TEST. LISTED STC RATINGS WITH NO REFERENCED TEST ASSEMBLY ARE ESTIMATED RATINGS.
- B. ALL GYPSUM BOARD PARTITIONS SHALL BE CONSTRUCTED WITH SOUND ATTENUATED INSULATION AS SCHEDULED. INSULATION SHALL BE CONTINUOUS AND WITHOUT INTERRUPTION.
- C. ALL THROUGH PENETRATIONS SOUND RESISTANCE RATED PARTITIONS SHALL BE SEALED WITH ACOUSTICAL SEALANT TO MAINTAIN REFERENCED SOUND RESISTANCE RATING.
- D. ALL THROUGH PENETRATIONS IN ALL PARTITIONS NOTED TO BE SOUND RESISTANCE RATED AND FIRE RESISTANCE RATED ARE REQUIRED TO BE SEALED WITH MATERIALS CAPABLE OF MEETING BOTH SOUND AND FIRE RESISTANCE RATINGS.
- E. PROVIDE ACOUSTICAL PADS AROUND ANY ITEMS PENETRATING FACE OF WALL, SUCH AS JUNCTION BOXES, OUTLETS, SWITCHES, ETC. INSTALL ACOUSTICAL 'PUTTY PADS' BEHIND & AROUND EACH J-BOX AND MAINTAIN A MINIMUM OF 2" O.C. WHERE BACK-TO-BACK LAYOUTS MAY OCCUR, WHERE OUTLETS NEED TO BE RELOCATED, NOTIFY ARCHITECT IMMEDIATELY.
- F. PROVIDE ACOUSTICAL SEALANT ALL AROUND THROUGH FLOOR PIPE / DUCT PENETRATION.
- G. AT ALL PARTITIONS INSTALL WALL BOARDS TO MAINTAIN 1/8" MIN. 1/4" MAX JOINT BETWEEN BOTTOM EDGE OF BOARD AND TOP OF SLAB/FLOOR. FILL JOINT WITH CONTINUOUS BEAD OF ACOUSTIC SEALANT.



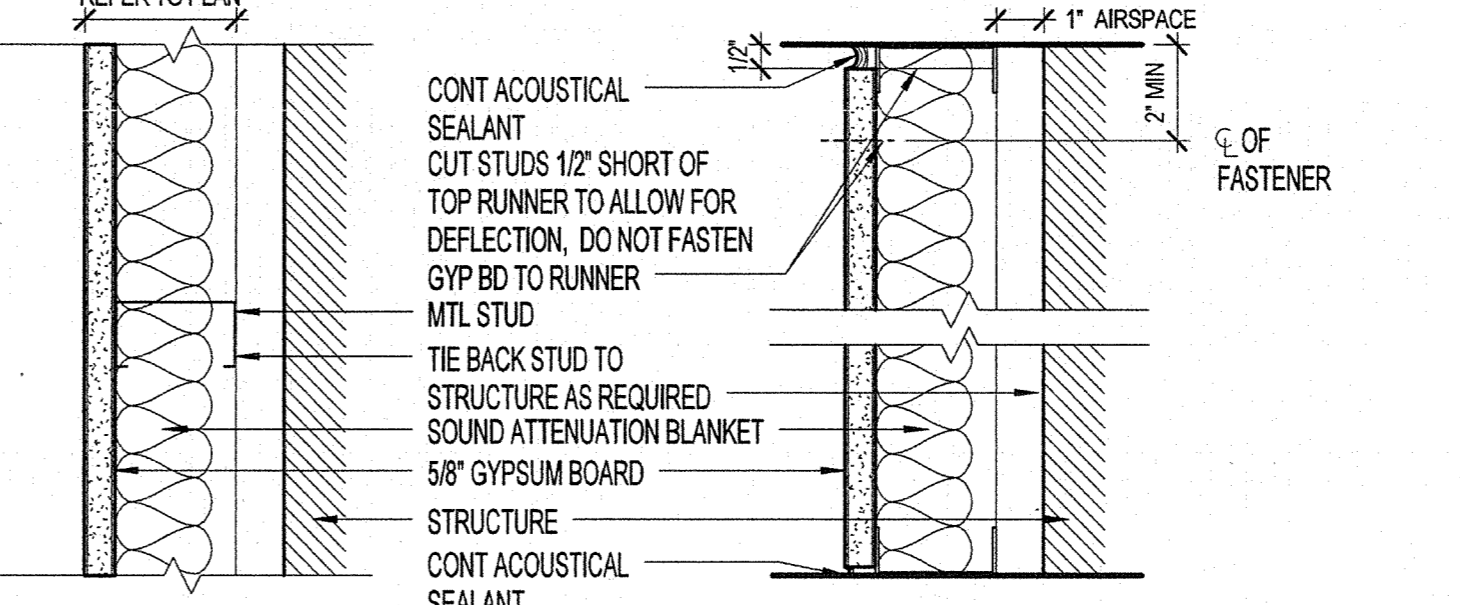
PARTITION TAG	STUD SIZE	STUD GAUGE	STUD SPACING	MAX HT (6 PSF) L240	MAX HT (10 PSF) L240	MAX HT (10 PSF) L360	FIRE RATING/ TEST NO	ACOUSTIC PROPERTIES STC/INSUL THK	TEST NO	WALL THK	
(C19)	1-5/8"	25 GA	24"	12'-6"	11'-0"	10'-0"	2HRUL DES U420	52	3 1/2"	SEE NOTE	VARIABLE
(C20)	2-1/2"	25 GA	24"	16'-0"	14'-6"	13'-0"	2HRUL DES U420	52	3 1/2"	SEE NOTE	VARIABLE

NOTE: STC 52 BASED UPON TEST RAL-76-162



PARTITION TAG	STUD SIZE	STUD GAUGE	STUD SPACING	MAX HT (6 PSF) L240	MAX HT (10 PSF) L240	MAX HT (10 PSF) L360	FIRE RATING/ TEST NO	ACOUSTIC PROPERTIES STC/INSUL THK	TEST NO	WALL THK	
(C19)	1-5/8"	25 GA	24"	11'-6"	10'-0"	9'-0"	---	52	3 1/2"	SEE NOTE	VARIABLE
(C20)	2-1/2"	25 GA	24"	15'-6"	13'-6"	12'-0"	---	52	3 1/2"	SEE NOTE	VARIABLE

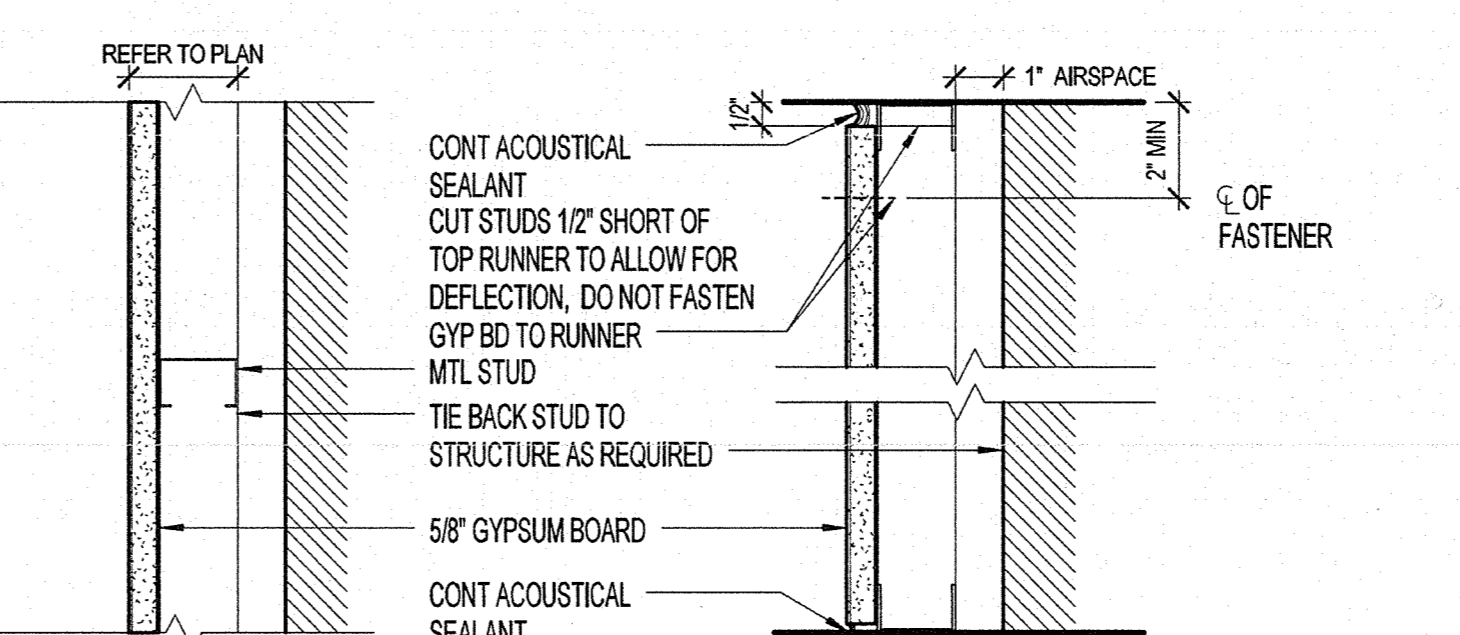
NOTE: STC 52 BASED UPON TEST RAL-76-155



PARTITION TAG	STUD SIZE	STUD GAUGE	STUD SPACING	MAX HT (6 PSF) L240	MAX HT (10 PSF) L240	MAX HT (10 PSF) L360	FIRE RATING/ TEST NO	ACOUSTIC PROPERTIES STC/INSUL THK	TEST NO	WALL THK
(C19)	1-5/8"	25 GA	24"	7'-3"	6'-3"	5'-3"	---	---	---	---
(C20)	2-1/2"	25 GA	24"	12'-6"	11'-0"	10'-0"	---	---	---	---
(C21)	6"	25 GA	24"	15'-0"	13'-0"	12'-0"	---	---	---	---
(C22)	2-1/2"	20 GA	24"	11'-6"	10'-0"	9'-0"	---	---	---	---
(C23)	3-5/8"	20 GA	24"	15'-0"	13'-0"	12'-0"	---	---	---	---
(C24)	6"	20 GA	24"	22'-3"	19'-6"	18'-0"	---	---	---	---

NOTE: STC 52 BASED UPON TEST RAL-76-155

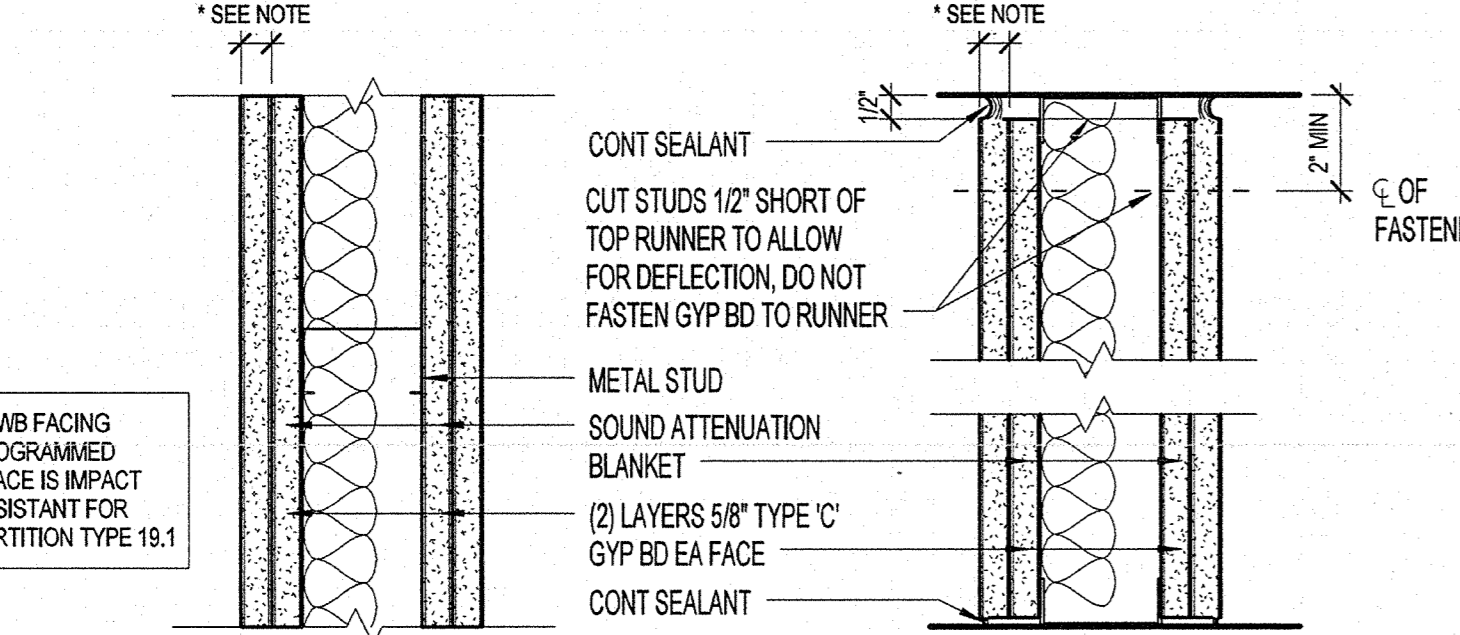
3. FREE STANDING INTERIOR FURRED ACOUSTIC GYP BOARD PARTITION



PARTITION TAG	STUD SIZE	STUD GAUGE	STUD SPACING	MAX HT (6 PSF) L240	MAX HT (10 PSF) L240	MAX HT (10 PSF) L360	FIRE RATING/ TEST NO	ACOUSTIC PROPERTIES STC/INSUL THK	TEST NO	WALL THK
(C19)	1-5/8"	25 GA	24"	7'-3"	6'-3"	5'-3"	---	---	---	---
(C20)	2-1/2"	25 GA	24"	11'-2"	9'-8"	8'-4"	---	---	---	---
(C21)	4"	25 GA	24"	14'-4"	12'-2"	10'-0"	---	---	---	---
(C22)	6"	25 GA	24"	19'-0"	16'-8"	14'-6"	---	---	---	---
(C23)	2-1/2"	20 GA	24"	12'-6"	11'-0"	9'-6"	---	---	---	---
(C24)	3-5/8"	20 GA	24"	14'-0"	11'-10"	9'-8"	---	---	---	---
(C25)	4"	20 GA	24"	18'-5"	15'-8"	13'-0"	---	---	---	---
(C26)	3-5/8"	20 GA	24"	15'-11"	13'-4"	11'-0"	---	---	---	---
(C27)	6"	20 GA	24"	22'-3"	19'-6"	17'-0"	---	---	---	---
(C28)	6"	20 GA	24"	20'-2"	17'-8"	15'-0"	---	---	---	---

NOTE: STC RATINGS AND REFERENCED TEST USG-860808 ARE BASED UPON 3-5/8" 25 GAUGE METAL STUDS

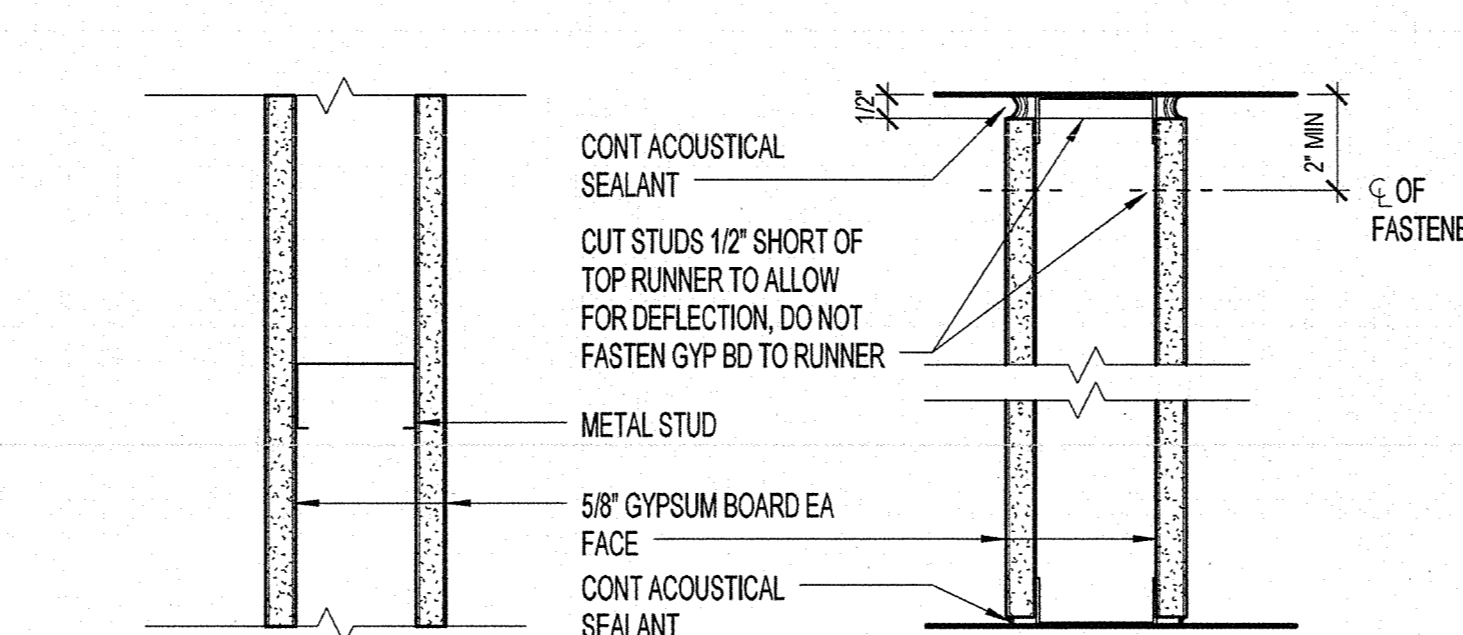
2. FREE STANDING INTERIOR FURRED GYP BOARD PARTITION



PARTITION TAG	STUD SIZE	STUD GAUGE	STUD SPACING	MAX HT (6 PSF) L240	MAX HT (10 PSF) L240	MAX HT (10 PSF) L360	FIRE RATING/ TEST NO	ACOUSTIC PROPERTIES STC/INSUL THK	TEST NO	WALL THK	
(C19)	2-1/2"	25 GA	24"	13'-1"	10'-10"	9'-10"	2HRUL DES U411	52	1-1/2"	SA-860932	5"
(C20)	3-5/8"	25 GA	24"	14'-10"	12'-1"	10'-11"	2HRUL DES U411	56	3"	USG-840818	6-1/8"
(C21)	4"	25 GA	24"	18'-10"	14'-1"	12'-11"	2HRUL DES U411	56	3"	USG-840818	6-1/2"
(C22)	6"	25 GA	24"	22'-6"	18'-1"	15'-11"	2HRUL DES U411	56	3"	USG-840818	6-1/2"
(C23)	2-1/2"	20 GA	24"	15'-0"	11'-8"	10'-0"	2HRUL DES U411	52	1-1/2"	SA-860932	5"
(C24)	3-5/8"	20 GA	24"	15'-8"	12'-9"	11'-0"	2HRUL DES U411	56	3"	USG-840818	6-1/8"
(C25)	4"	20 GA	24"	18'-5"	15'-8"	13'-0"	2HRUL DES U411	56	3"	USG-840818	6-1/2"
(C26)	6"	20 GA	24"	21'-8"	19'-1"	16'-0"	2HRUL DES U411	56	3"	USG-840818	6-1/2"
(C27)	3-5/8"	25 GA	24"	14'-10"	12'-1"	10'-11"	2HRUL DES U411	56	3"	USG-840818	6-1/8"

NOTE: STC 52 AND REFERENCED TEST SA-860932 BASED UPON 1/2" GYP BD PANELS STC 56 AND REFERENCED TEST USG-840818 BASED UPON 3-5/8" 25 GAUGE METAL STUDS

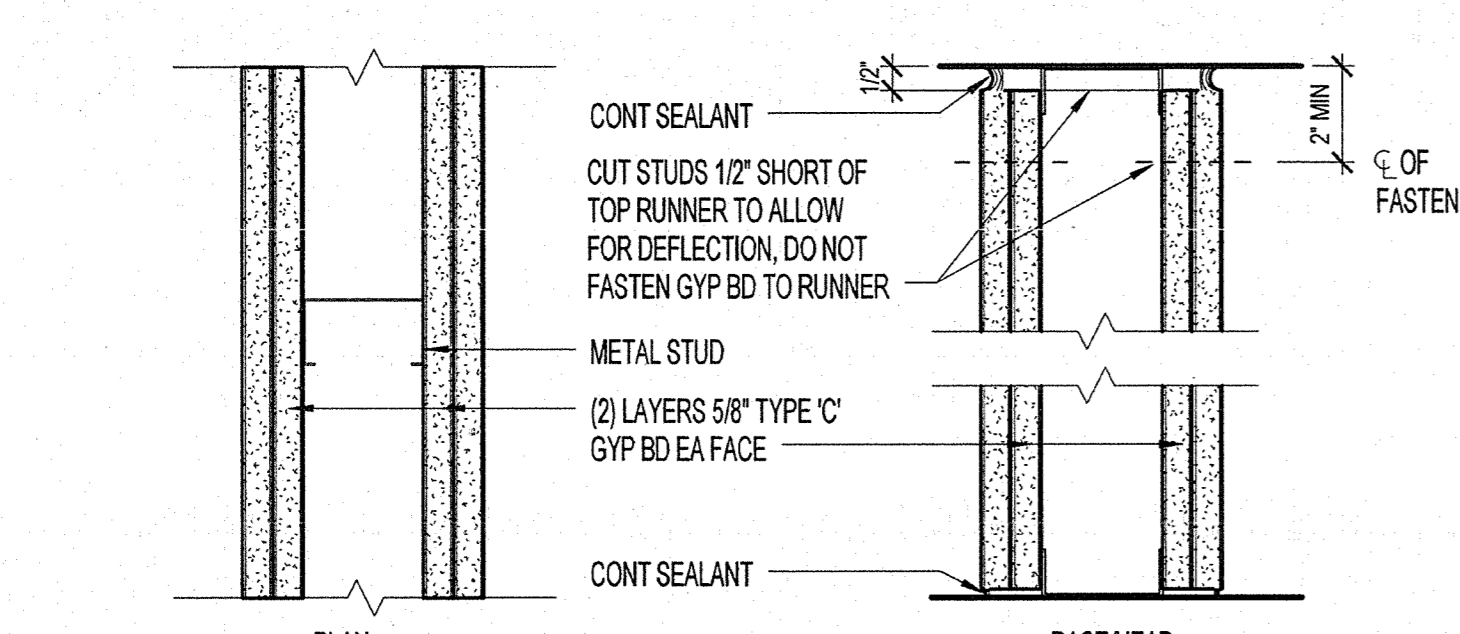
19. 2 HR DOUBLE LAYER BALANCED ACOUSTIC GYP BOARD PARTITION



PARTITION TAG	STUD SIZE	STUD GAUGE	STUD SPACING	MAX HT (6 PSF) L240	MAX HT (10 PSF) L240	MAX HT (10 PSF) L360	FIRE RATING/ TEST NO	ACOUSTIC PROPERTIES STC/INSUL THK	TEST NO	WALL THK
(C19)	2-1/2"	25 GA	24"	10'-4"	8'-11"	7'-8"	---	---	---	3-3/4"
(C20)	3-5/8"	25 GA	24"	13'-2"	11'-2"	9'-8"	---	---	---	4-7/8"
(C21)	4"	25 GA	24"	14'-4"	12'-2"	10'-0"	---	---	---	5-1/4"
(C22)	6"	25 GA	24"	19'-0"	16'-8"	14'-6"	---	---	---	7-1/4"
(C23)	2-1/2"	20 GA	24"	12'-6"	11'-0"	9'-6"	---	---	---	3-3/4"
(C24)	3-5/8"	20 GA	24"	14'-0"	11'-10"	9'-8"	---	---	---	4-7/8"
(C25)	4"	20 GA	24"	15'-11"	13'-4"	11'-0"	---	---	---	4-7/8"
(C26)	3-5/8"	20 GA	24"	15'-11"	13'-4"	11'-0"	---	---	---	5-1/4"
(C27)	6"	20 GA	24"	20'-2"	17'-8"	15'-0"	---	---	---	7-1/4"

NOTE: STC RATINGS AND REFERENCED TEST USG-860808 ARE BASED UPON 3-5/8" 25 GAUGE METAL STUDS

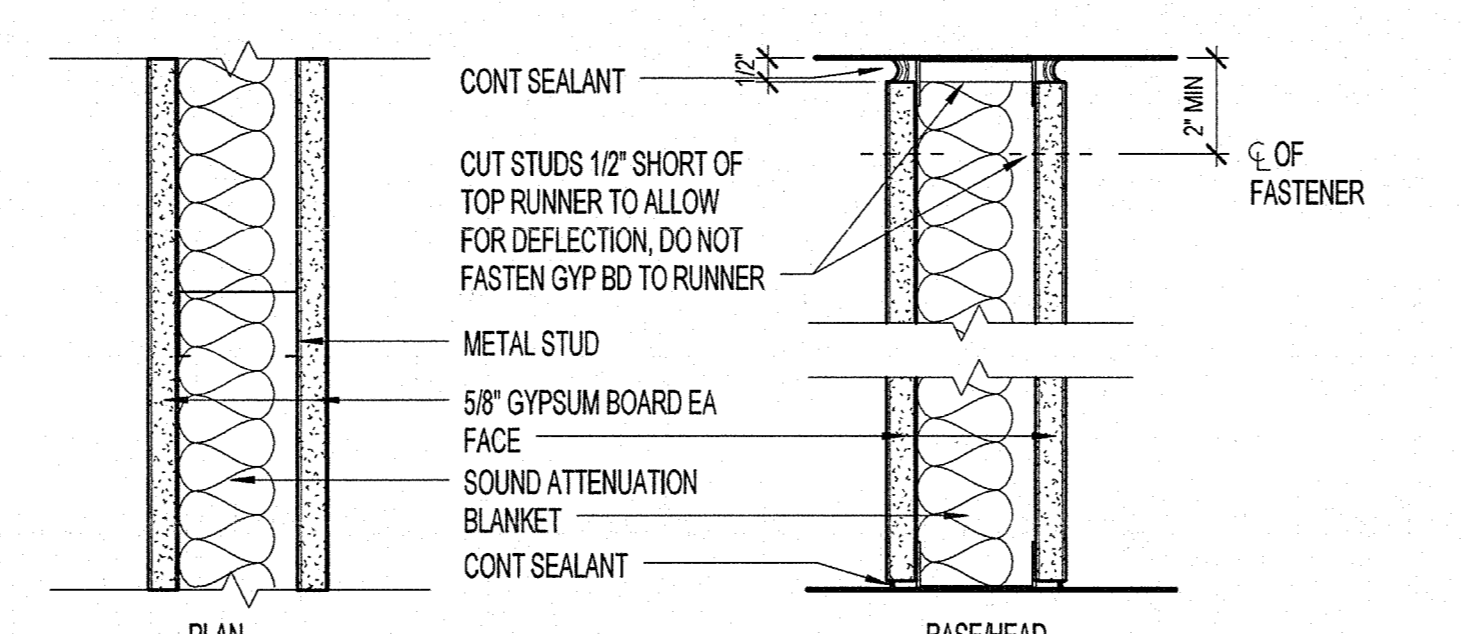
8. SINGLE LAYER BALANCED GYP BOARD PARTITION



PARTITION TAG	STUD SIZE	STUD GAUGE	STUD SPACING	MAX HT (6 PSF) L240	MAX HT (10 PSF) L240	MAX HT (10 PSF) L360	FIRE RATING/ TEST NO	ACOUSTIC PROPERTIES STC/INSUL THK	TEST NO	WALL THK	
(C19)	2-1/2"	25 GA	24"	13'-1"	10'-10"	9'-10"	2HRUL DES U411	45	---	---	5"
(C20)	3-5/8"	25 GA	24"	14'-10"	12'-1"	10'-11"	2HRUL DES U411	50	---	---	6-1/8"
(C21)	4"	25 GA	24"	18'-10"	14'-1"	12'-11"	2HRUL DES U411	50	---	---	6-1/2"
(C22)	6"	25 GA	24"	22'-6"	18'-1"	15'-11"	2HRUL DES U411	50	---	---	6-1/2"
(C23)	2-1/2"	20 GA	24"	15'-0"	11'-8"	10'-0"	2HRUL DES U411	45	---	---	5"
(C24)	3-5/8"	20 GA	24"	15'-8"	12'-9"	11'-0"	2HRUL DES U411	50	---	---	6-1/8"
(C25)	4"	20 GA	24"	18'-5"	15'-8"	13'-0"	2HRUL DES U411	50	---	---	6-1/2"
(C26)	6"	20 GA	24"	21'-8"	19'-1"	16'-0"	2HRUL DES U411	50	---	---	6-1/2"

NOTE: STC 45 IS ESTIMATED, AND STC 55 AND TEST USG-840817 ARE BASED UPON 3-5/8" METAL STUDS

18. 2 HR DOUBLE LAYER BALANCED GYP BOARD PARTITION



PARTITION TAG	STUD SIZE	STUD GAUGE	STUD SPACING	MAX HT (6 PSF) L240	MAX HT (10 PSF) L240	MAX HT (10 PSF) L360	FIRE RATING/ TEST NO	ACOUSTIC PROPERTIES STC/INSUL THK	TEST NO	WALL THK		
(C19)	2-1/2"	25 GA	24"	10'-4"	8'-11"	7'-8"	1HRUL DES U464	40	---	---	USG-860808	3-3/4"
(C20)	3-5/8"	25 GA	24"	13'-2"	11'-2"	9'-8"	1HR					