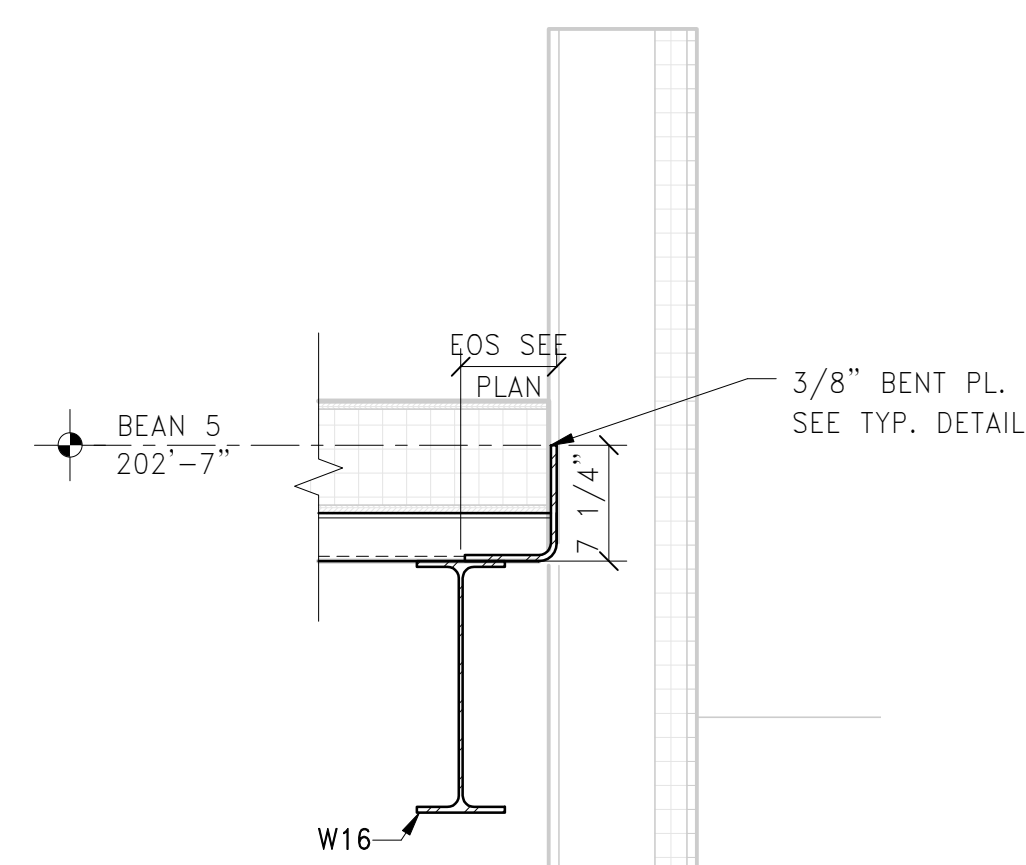
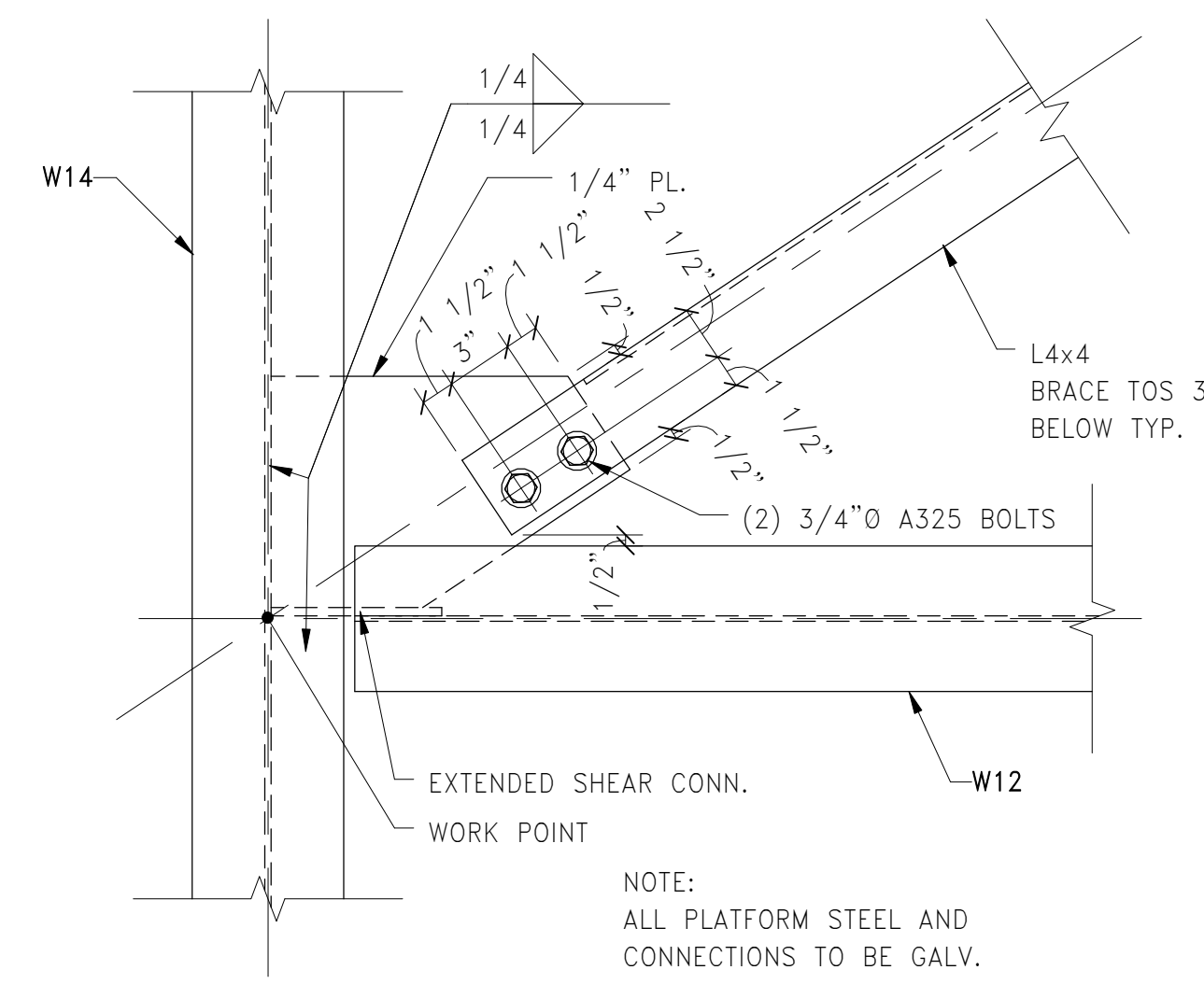


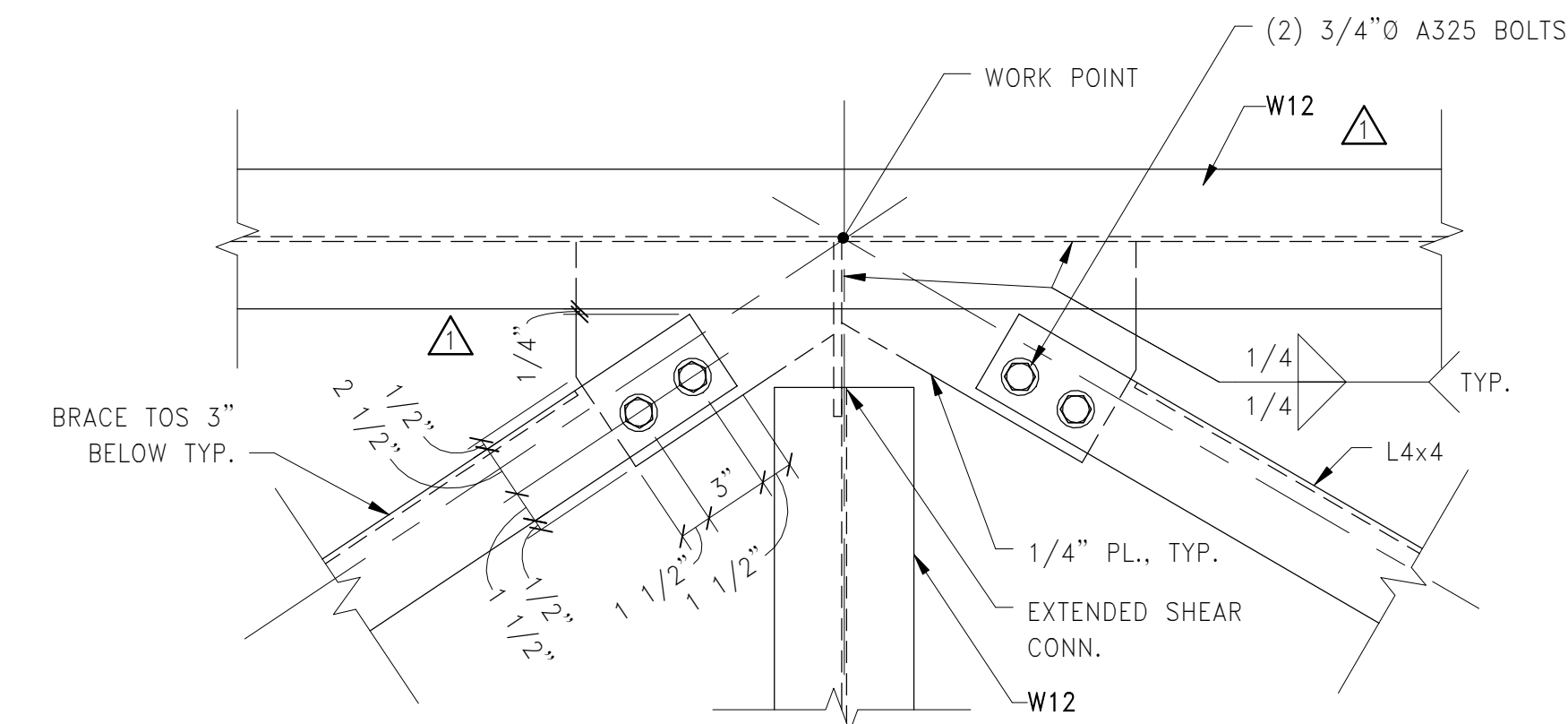
1 SECTION: AREAWAY ROOF EDGE  
S07-04 1" = 1'-0"



2 SECTION: MECHANICAL WELL ROOF EDGE  
S07-04 1" = 1'-0"

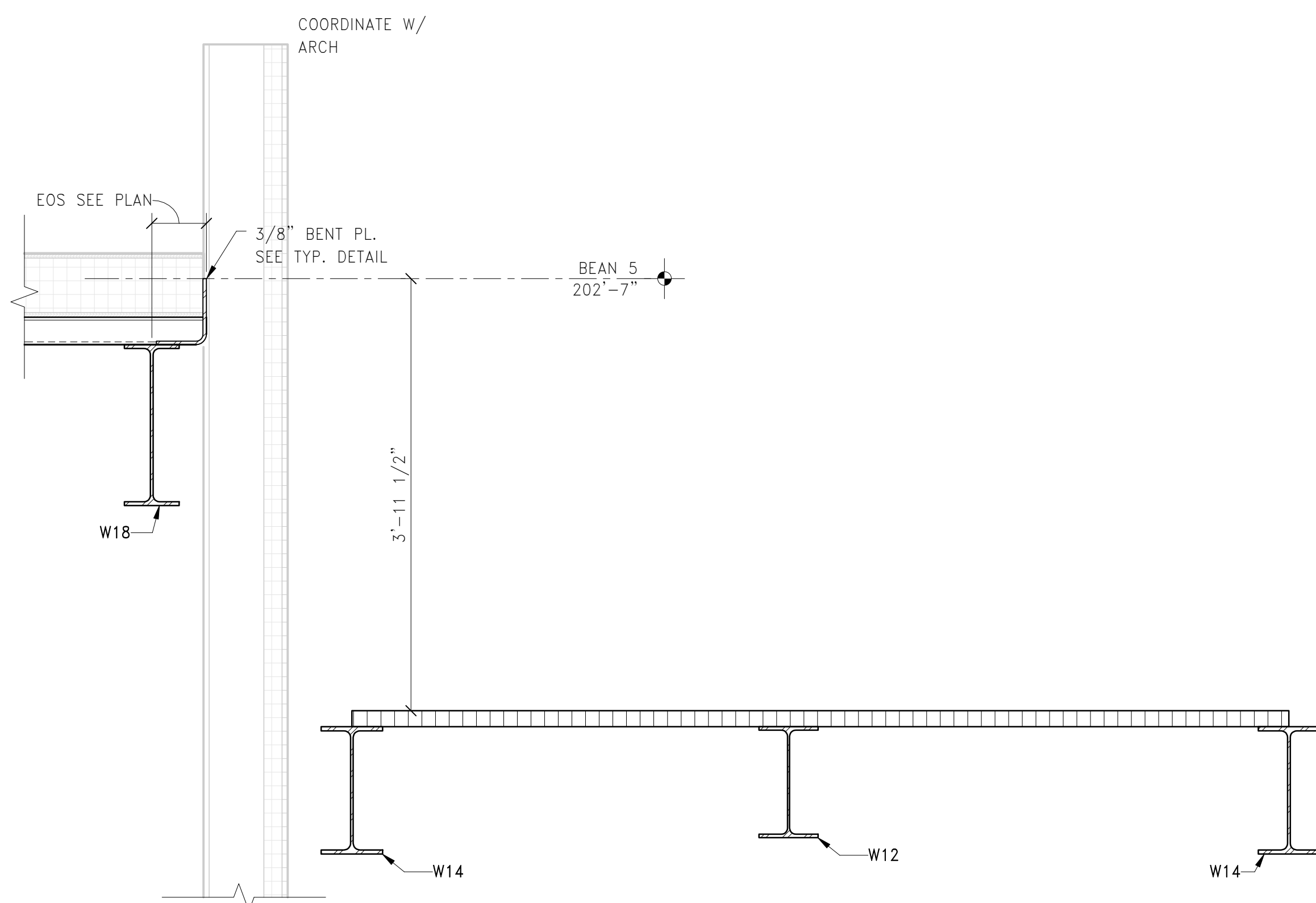


3 MECHANICAL WELL PLATFORM PLAN BRACING  
S07-04 1 1/2" = 1'-0"

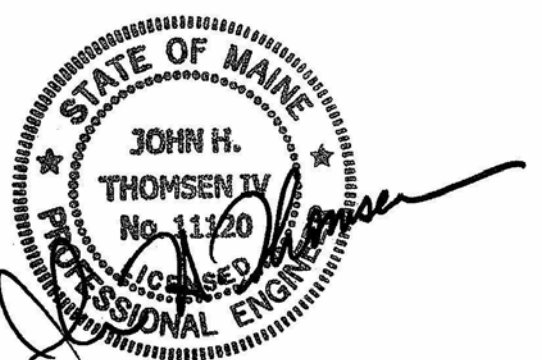
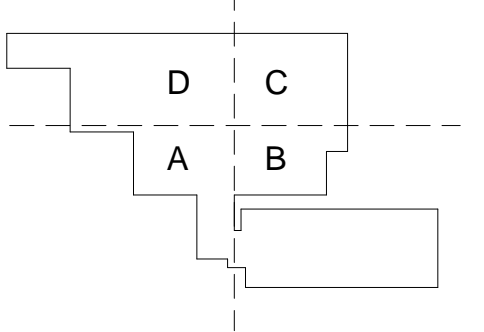


4 MECHANICAL WELL PLATFORM PLAN BRACING  
S07-04 1 1/2" = 1'-0"

NOTE:  
ALL PLATFORM STEEL AND CONNECTIONS TO BE GALVANIZED.



5 PARAPET AT MECHANICAL AREAWAY 1  
S07-04 1" = 1'-0"



Revisions

| NO. | ISSUED FOR PERMIT | DATE     |
|-----|-------------------|----------|
| 1   | ADDENDUM #3       | 01/17/14 |
|     | ISSUE             | DATE     |

Sheet Information

Date: 12 APRIL 2013

Job #: C140135461(MMC)152168.000

Drawn: KAK

Checked: MJB

Approved: JHT

Title:

STEEL DETAILS - LEVEL 05 ROOF

2/7/2014 3:44:17 PM  
I:\BOS\Projects\2010\100439.09-2013\Drawings\Working\_Seri\_Revi\LOCAL USERS\MJ\Baldwin\MCC\_BEAN2\_NEW\_STRUC\_A\MBdalc.rvt