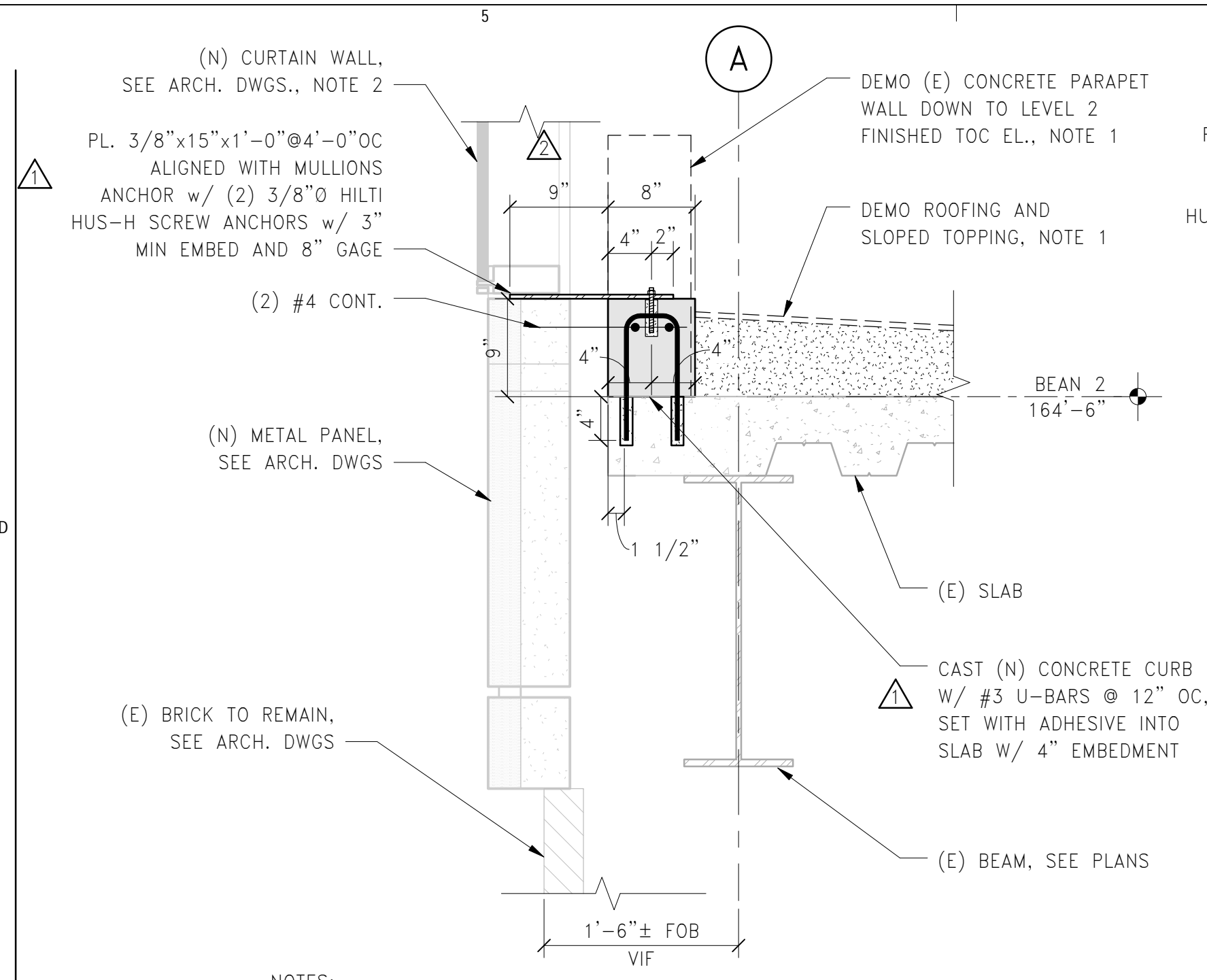
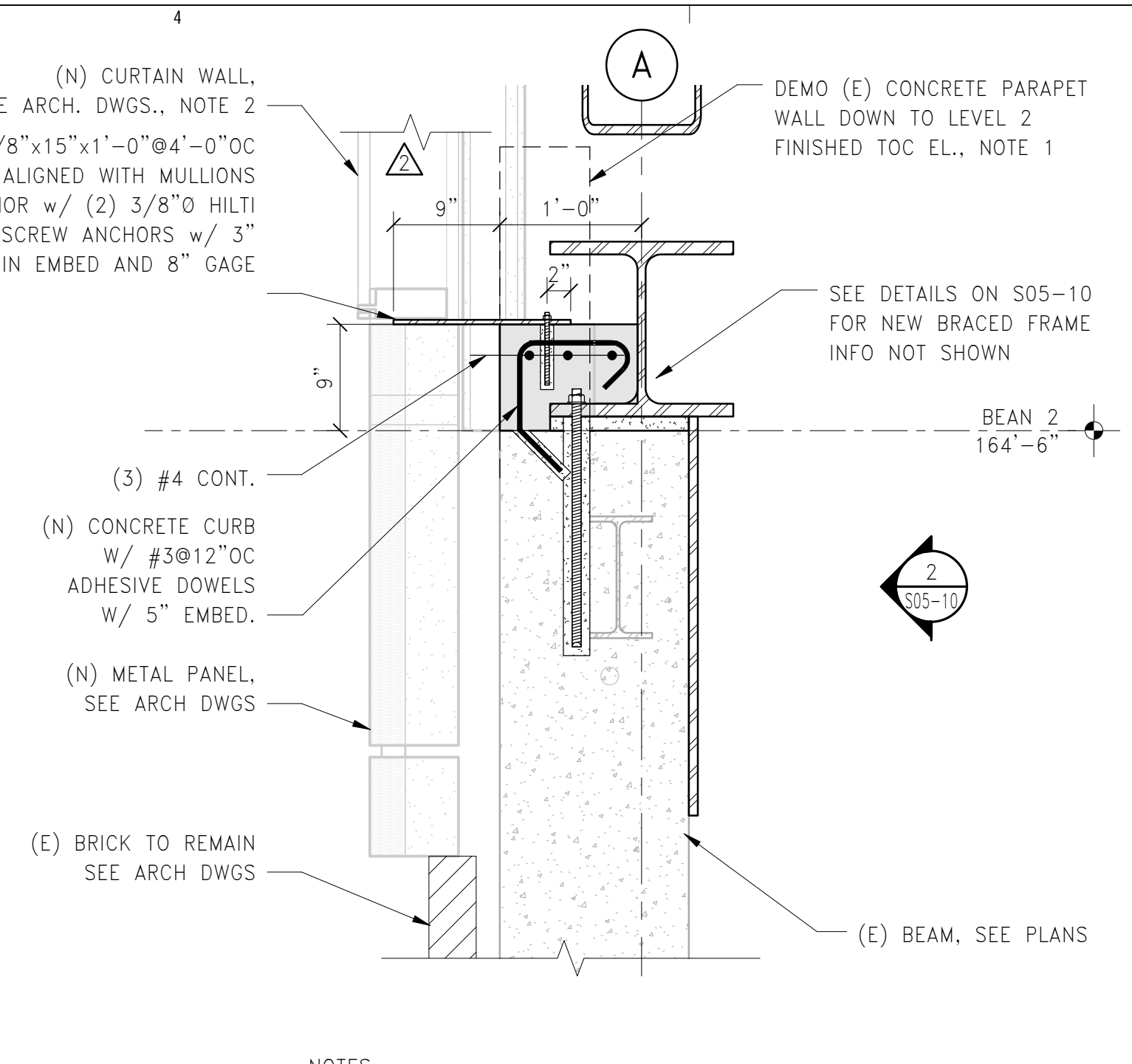


0 1/2" = 1'-0"



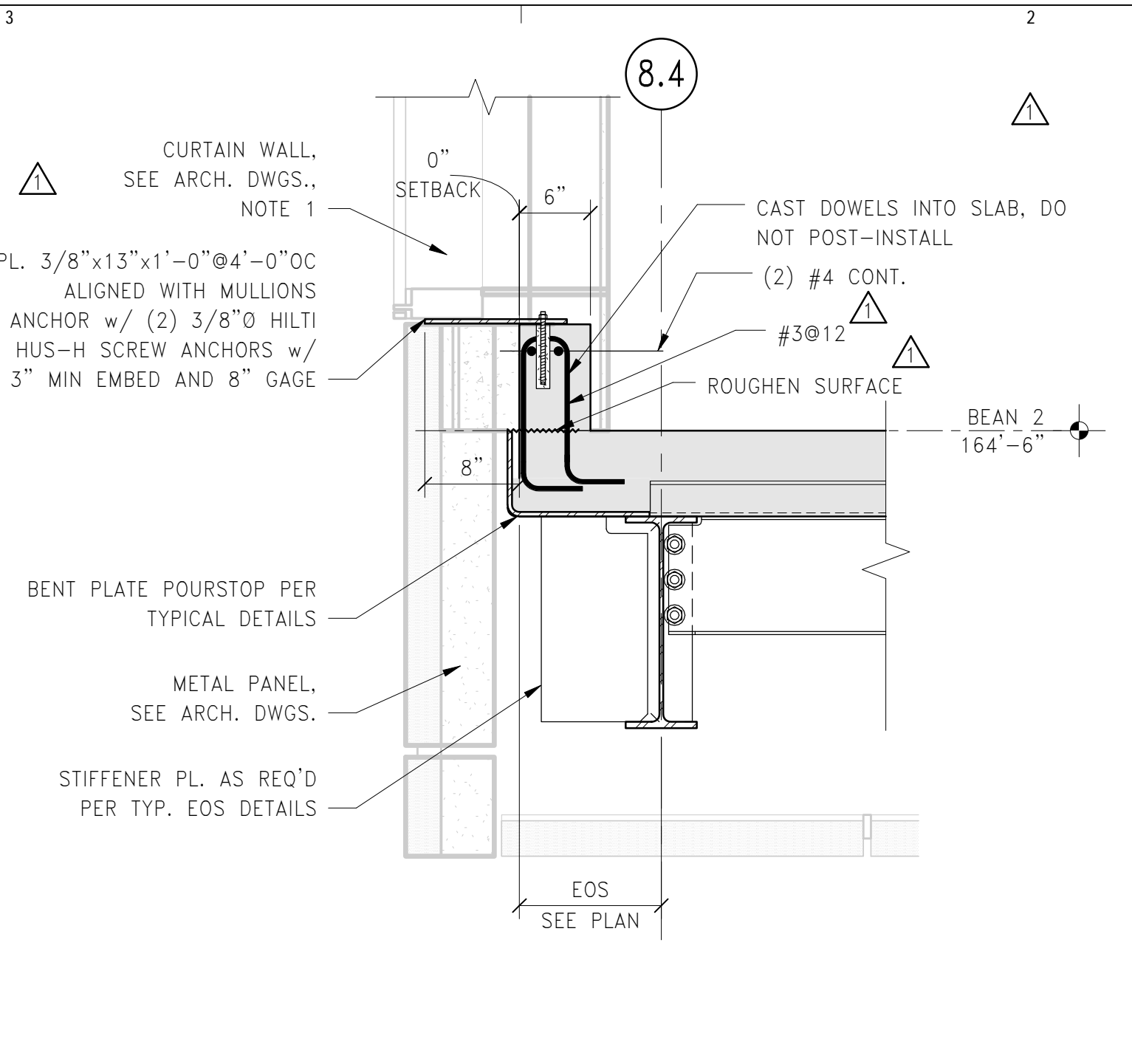
NOTES:
 1. COORDINATE ALL DEMO w/ARCH. DWGS.
 2. CURTAIN WALL CONN ONLY FOR LATERAL LOADS @ LEVEL 2. CURTAIN WALL GRAVITY SUPPORT AT LEVEL 4

1 SECTION: NORTH WALL (E) SLAB EDGE
 S07-00 1" = 1'-0"



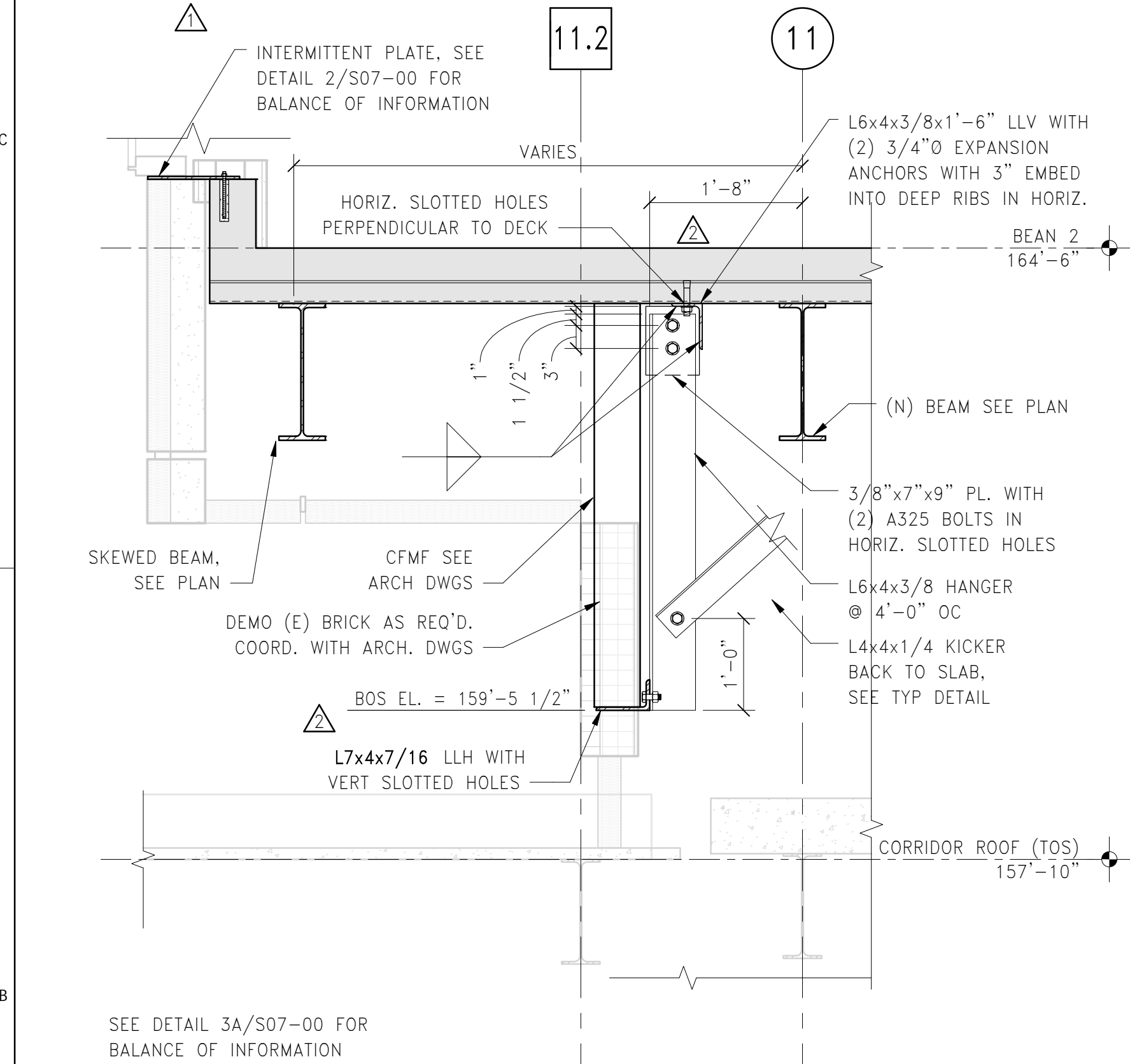
NOTES:
 1. COORDINATE ALL DEMO w/ARCH. DWGS.
 2. CURTAIN WALL CONN ONLY FOR LATERAL LOADS @ LEVEL 2. CURTAIN WALL GRAVITY SUPPORT AT LEVEL 4

1A SECTION: NORTH WALL SLAB EDGE AT STAIR
 S07-00 1" = 1'-0"

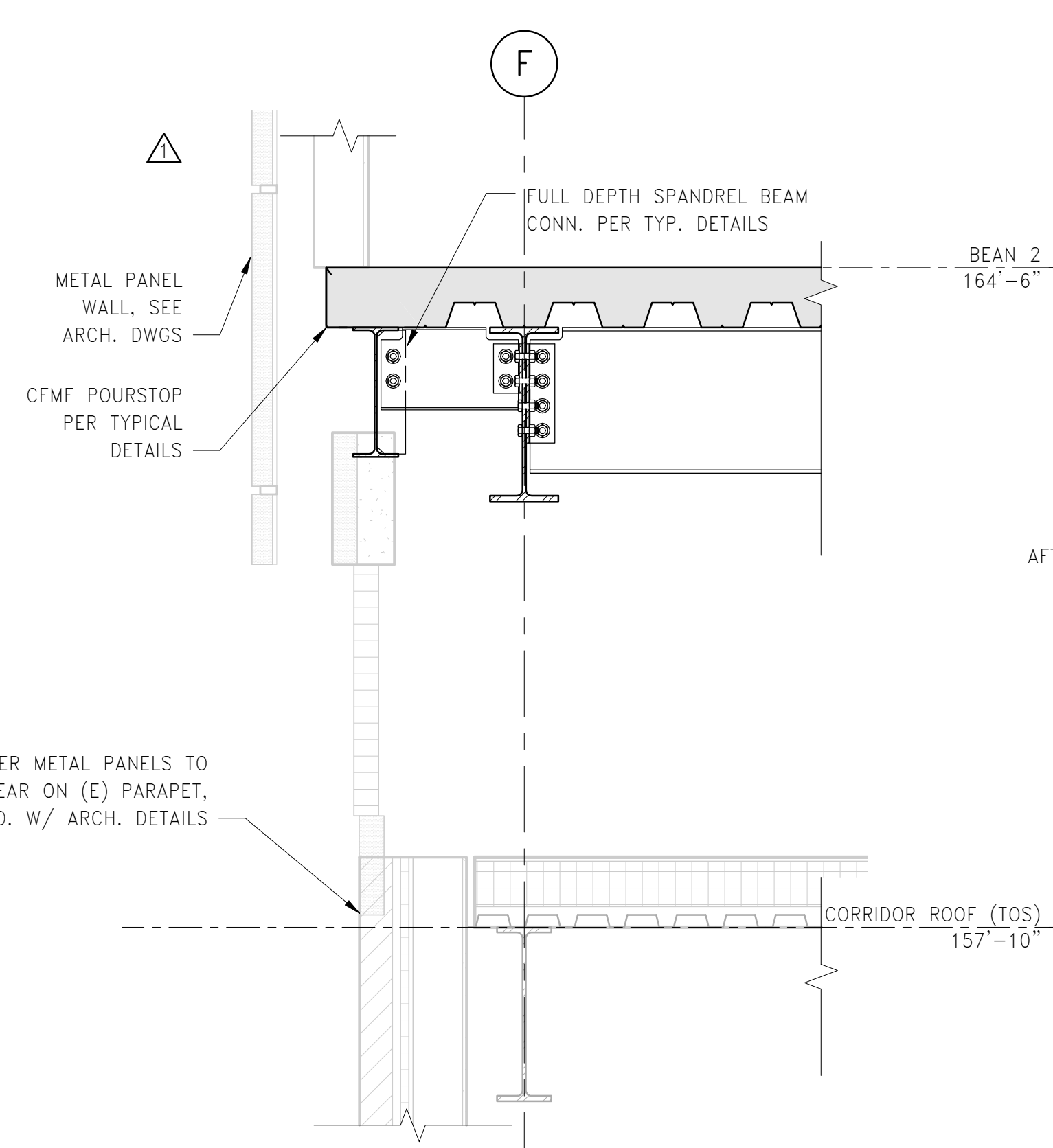


NOTES:
 1. CURTAIN WALL CONN ONLY FOR LATERAL LOADS @ LEVEL 2. CURTAIN WALL GRAVITY SUPPORT AT LEVEL 4

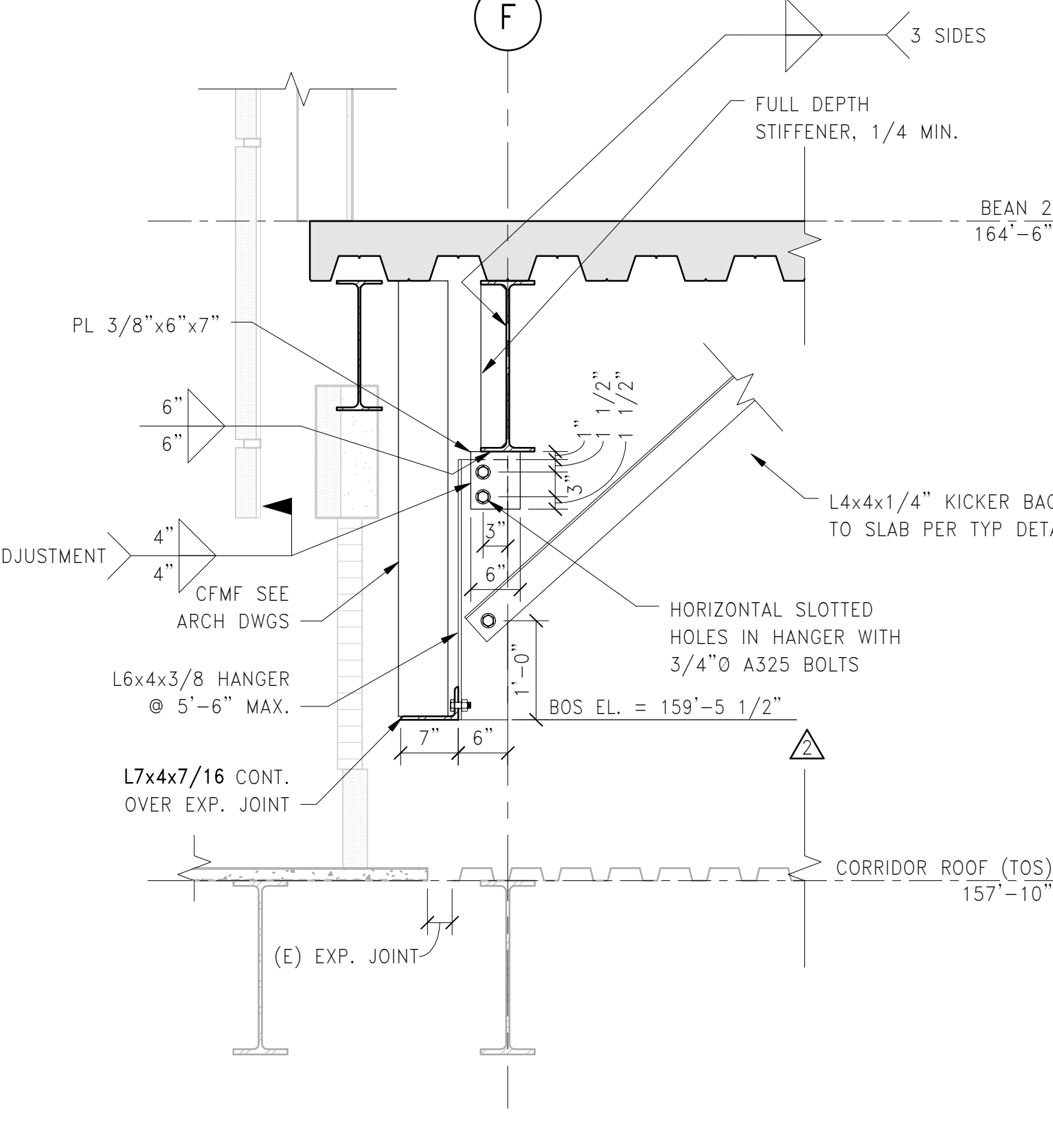
2 SECTION: EAST WALL SLAB EDGE
 S07-00 1" = 1'-0"



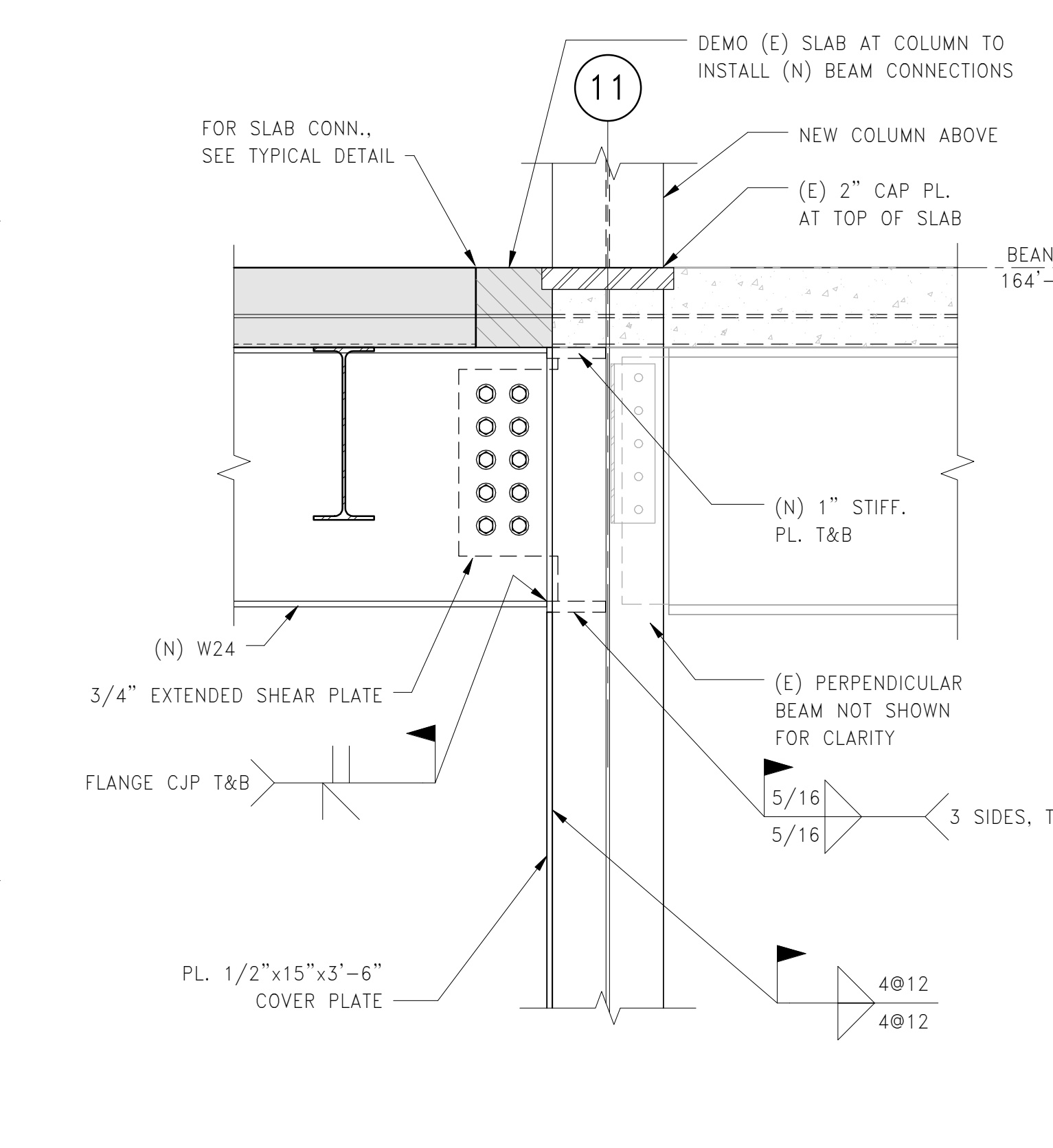
2A SECTION: EXP JOINT ON EAST FACADE
 S07-00 3/4" = 1'-0"



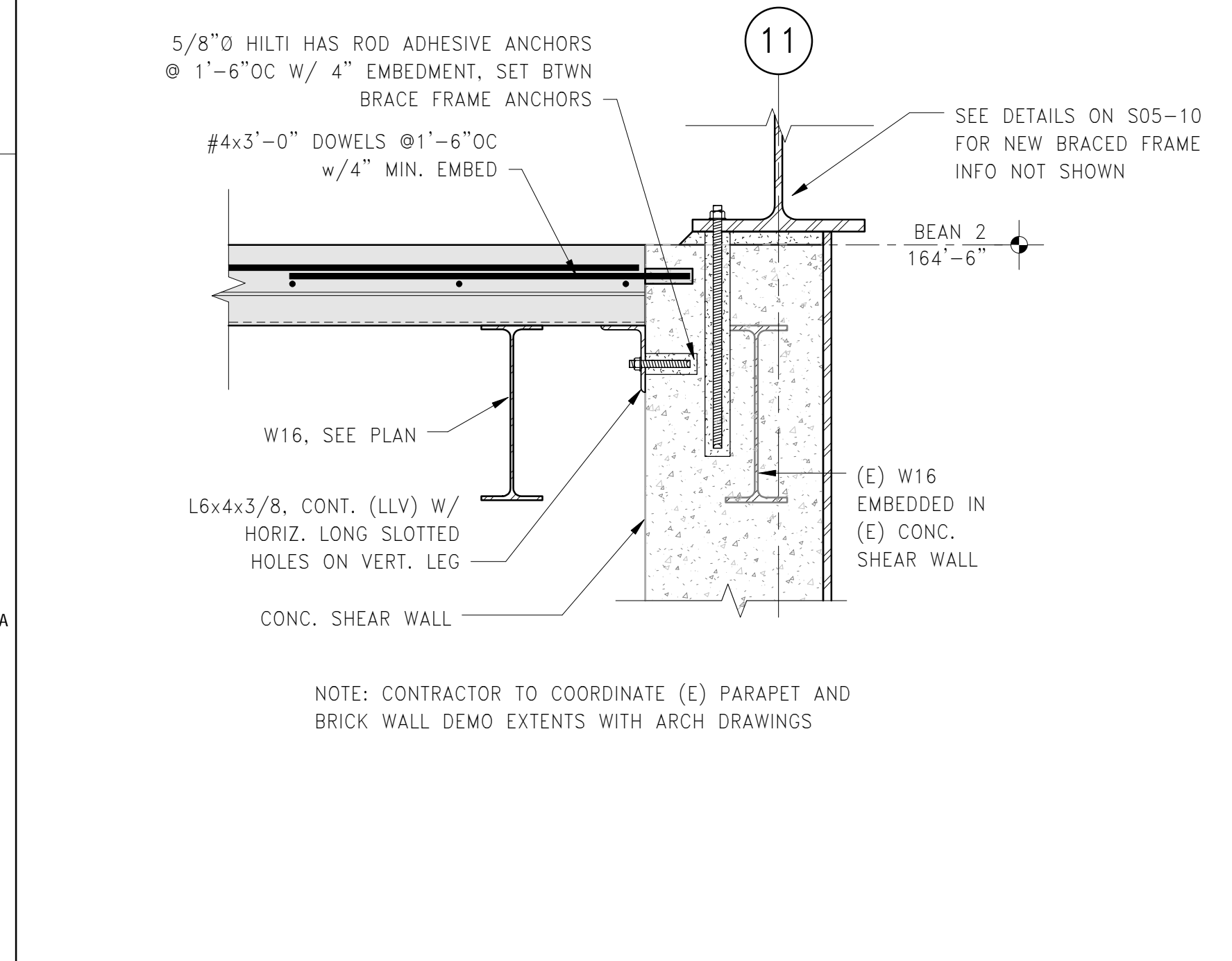
3 SECTION: SOUTH SLAB EDGE
 S07-00 3/4" = 1'-0"



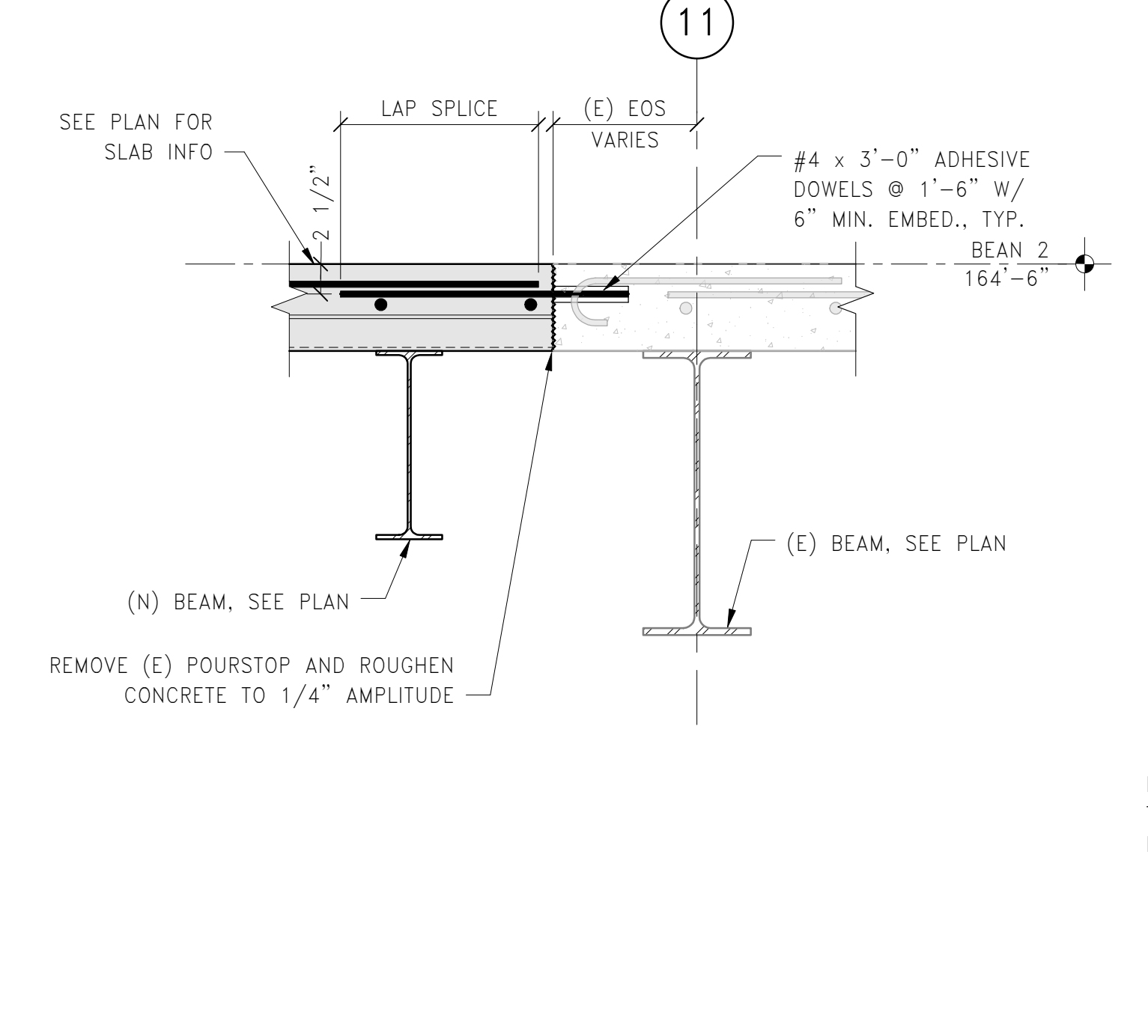
3A SECTION: SOUTH SLAB EDGE AT EXP JOINT
 S07-00 3/4" = 1'-0"



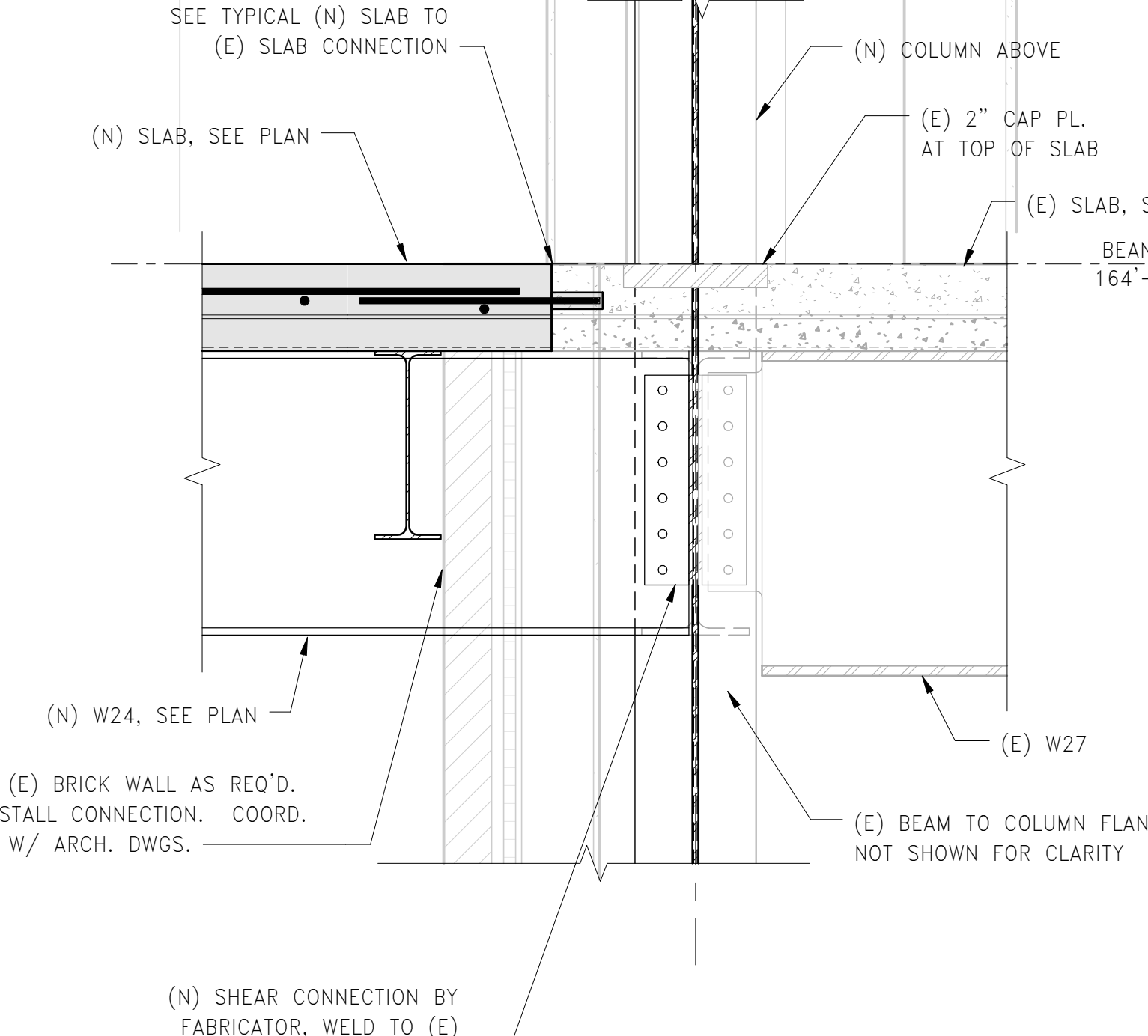
4 SECTION: (N) CANTILEVER BEAM TO (E) COL.
 S07-00 1" = 1'-0"



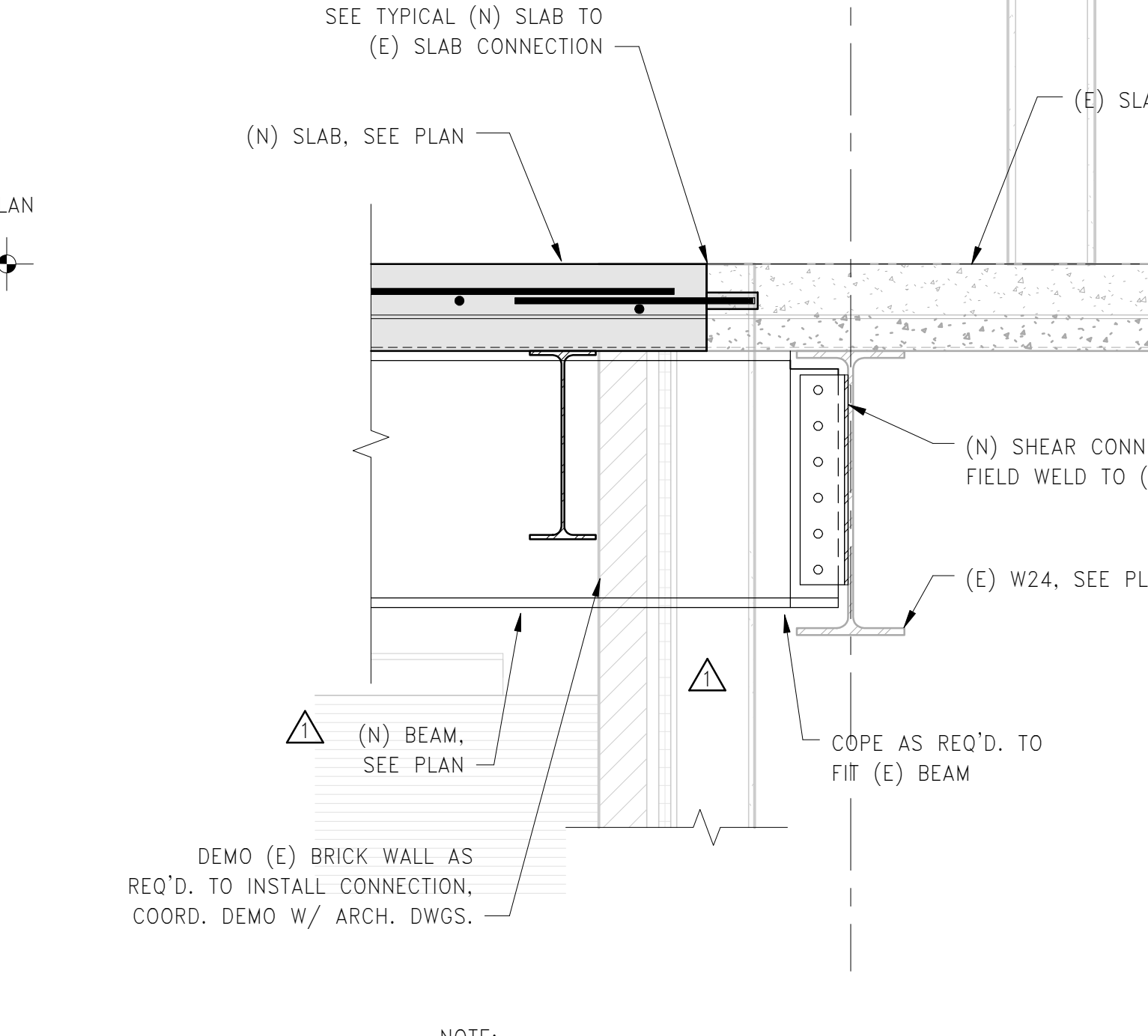
5 SECTION: (N) SLAB TO (E) WALL CONNECTION
 S07-00 1" = 1'-0"



6 SECTION: TYPICAL (N) SLAB TO (E) SLAB CONNECTION
 S07-00 1" = 1'-0"



7 SECTION: TYPICAL (N) BEAM TO (E) COLUMN CONNECTION
 S07-00 1" = 1'-0"



8 SECTION: TYPICAL (N) BEAM TO (E) BEAM CONNECTION
 S07-00 1" = 1'-0"

PERKINS + WILL
 225 Franklin St., Suite 1100
 Boston, MA 02110
 617.438.0200
 617.478.0321
 www.perkinswill.com

Maine Medical Center
 MaineHealth

Bean 2 Roof Addition
 22 Bramhall Street, Portland, Maine 04102

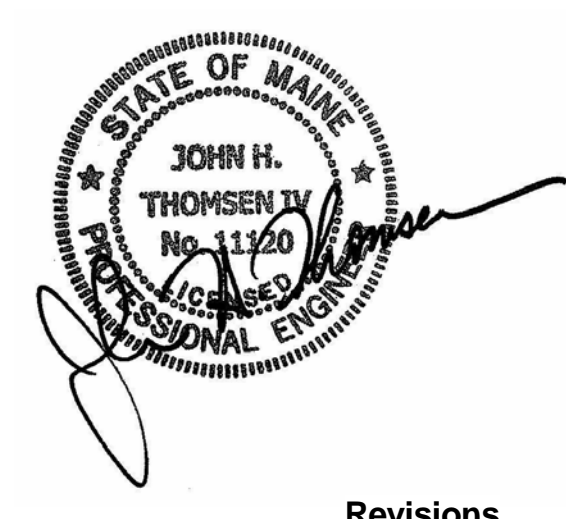
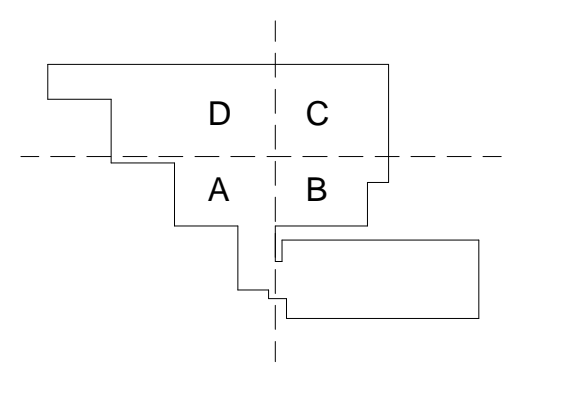
MEP ENGINEER
AKF ENGINEERS
 41 Farnsworth Street, 3rd Floor
 Boston, MA 02210
 617.737.1111
 617.737.4311

STRUCTURAL ENGINEER
SIMPSON GUMPERTZ & HEGER
 41 Seyon Street, Building 1, Suite 500
 Waltham, MA 02453
 1781.907.9000
 SGH Project No. 100439.09

MEDICAL EQUIPMENT PLANNERS
RTKL ASSOCIATES INC.
 1717 PACIFIC AVENUE
 DALLAS, TX 75201
 1214.468.7000
 1214.468.7601

COST ESTIMATOR
DG JONES & PARTNERS
 3 Baldwin Green Common, Suite 202
 Woburn, MA 01801
 1781.932.3131
 1781.932.3199

CONSTRUCTION DOCUMENTS
 06.14.2013



Revisions

NO	DATE	ISSUE
1	01/17/14	ADDENDUM #1
2	01/17/14	ADDENDUM #3
NO		ISSUE

Sheet Information

ISSUED FOR PERMIT	02/07/14
ADDENDUM #3	01/17/14
ADDENDUM #1	06/14/13
NO	ISSUE
Date	12 APRIL 2013
Job #	C140135461(MMC)152168.000
Drawn	BMT/SWW
Checked	MJB
Approved	JHT
Title	
STEEL DETAILS - LEVEL 02 AND EXISTING	

Sheet
S07-00
 Copyright © 2011 Perkins+Will

2/7/2014 3:43:50 PM
 I:\BOS\Projects\2010\100439\08-206\SED\Drawings\Working_Series\Revit\LOCAL_USERS\M\Baldwin\MC_BEAN2_NEW_STRUCT_A\Baldwin.ctb