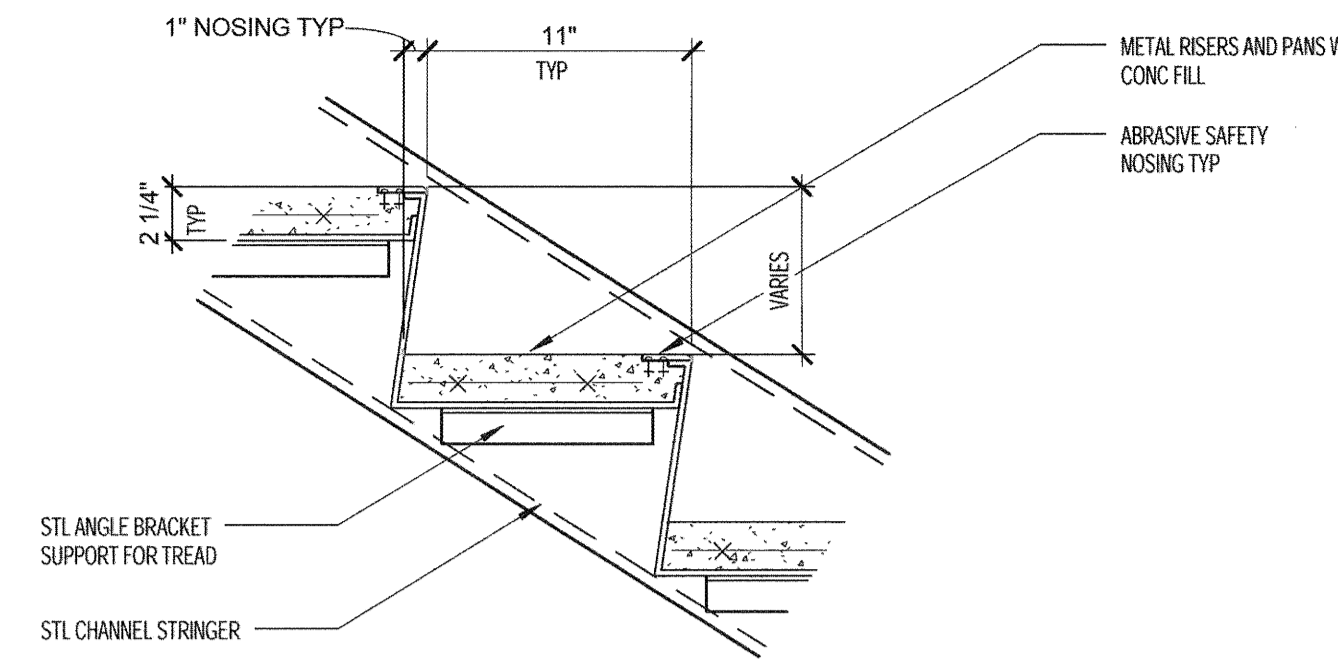
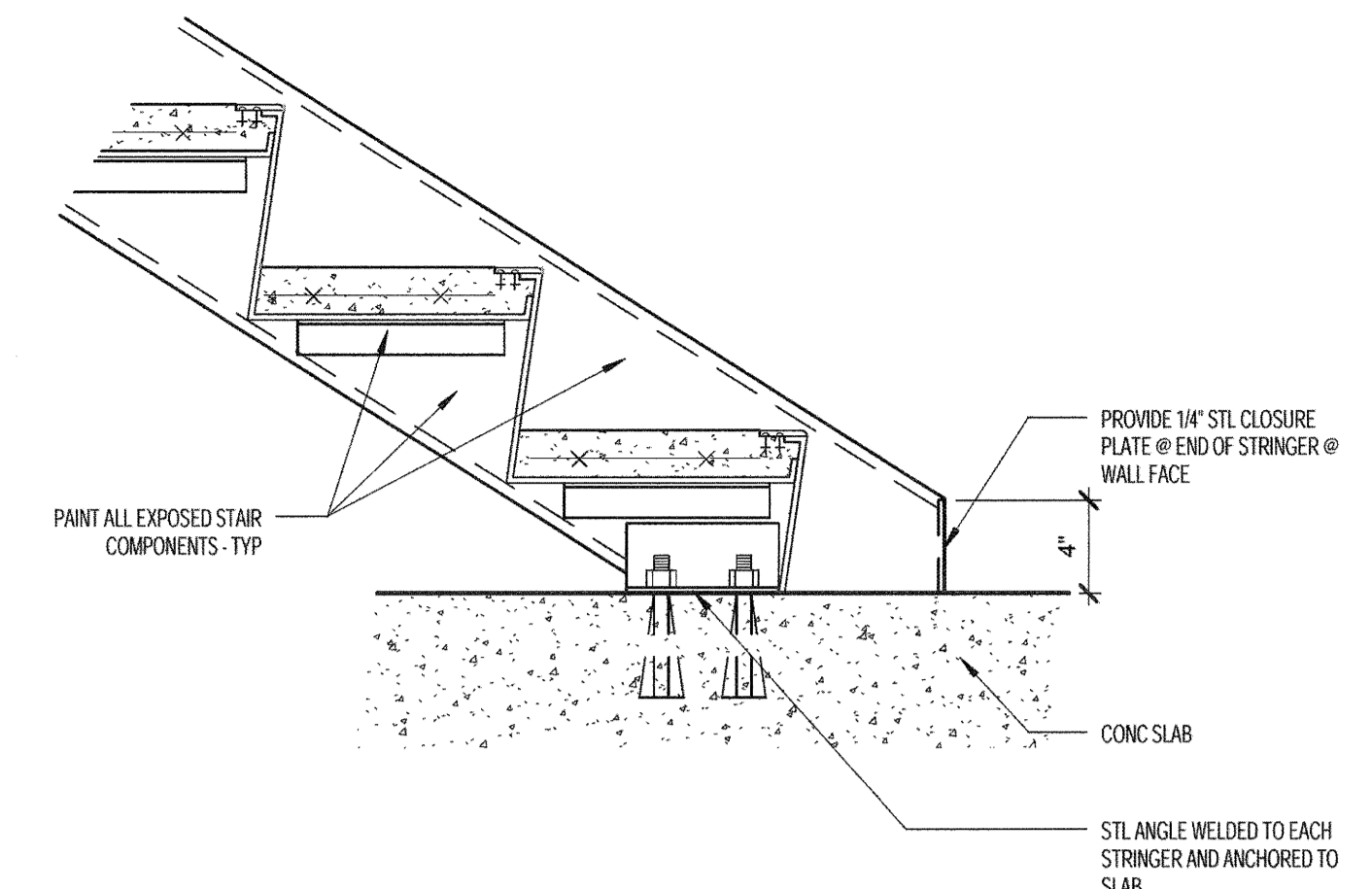


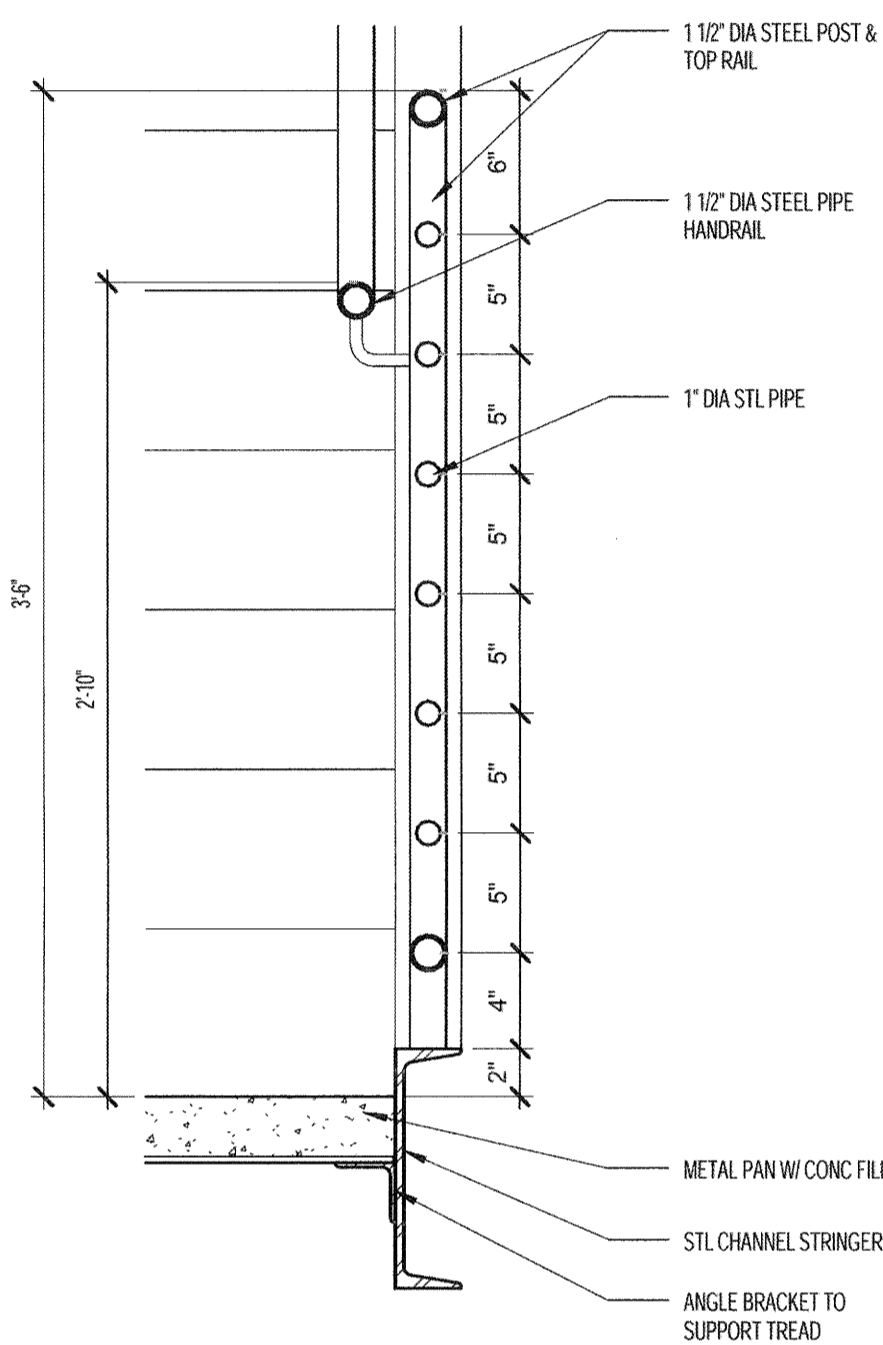
**D3** STAIR DETAIL AT TOP  
 1 1/2" = 1'-0"



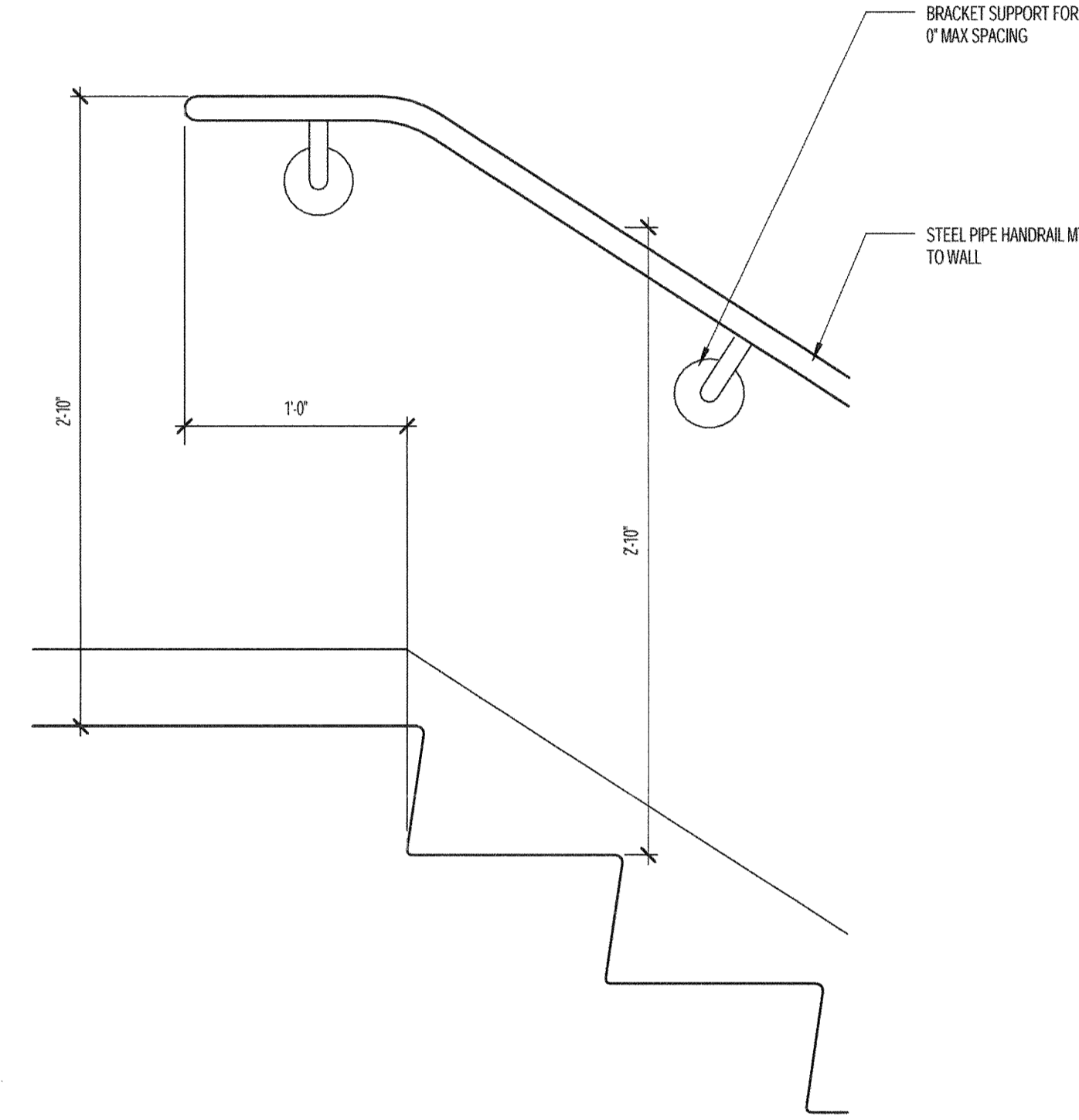
**D2** TYPICAL TREAD & RISER  
 1 1/2" = 1'-0"



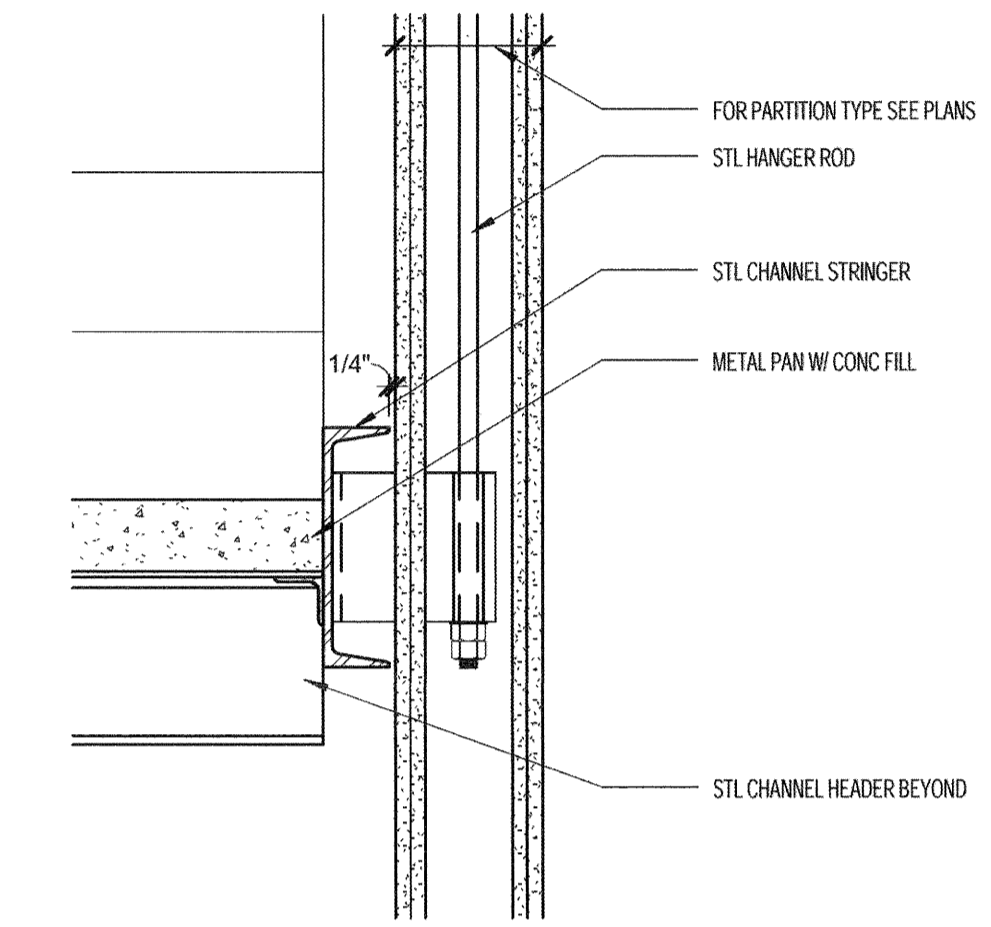
**D1** STAIR DETAIL AT BOTTOM  
 1 1/2" = 1'-0"



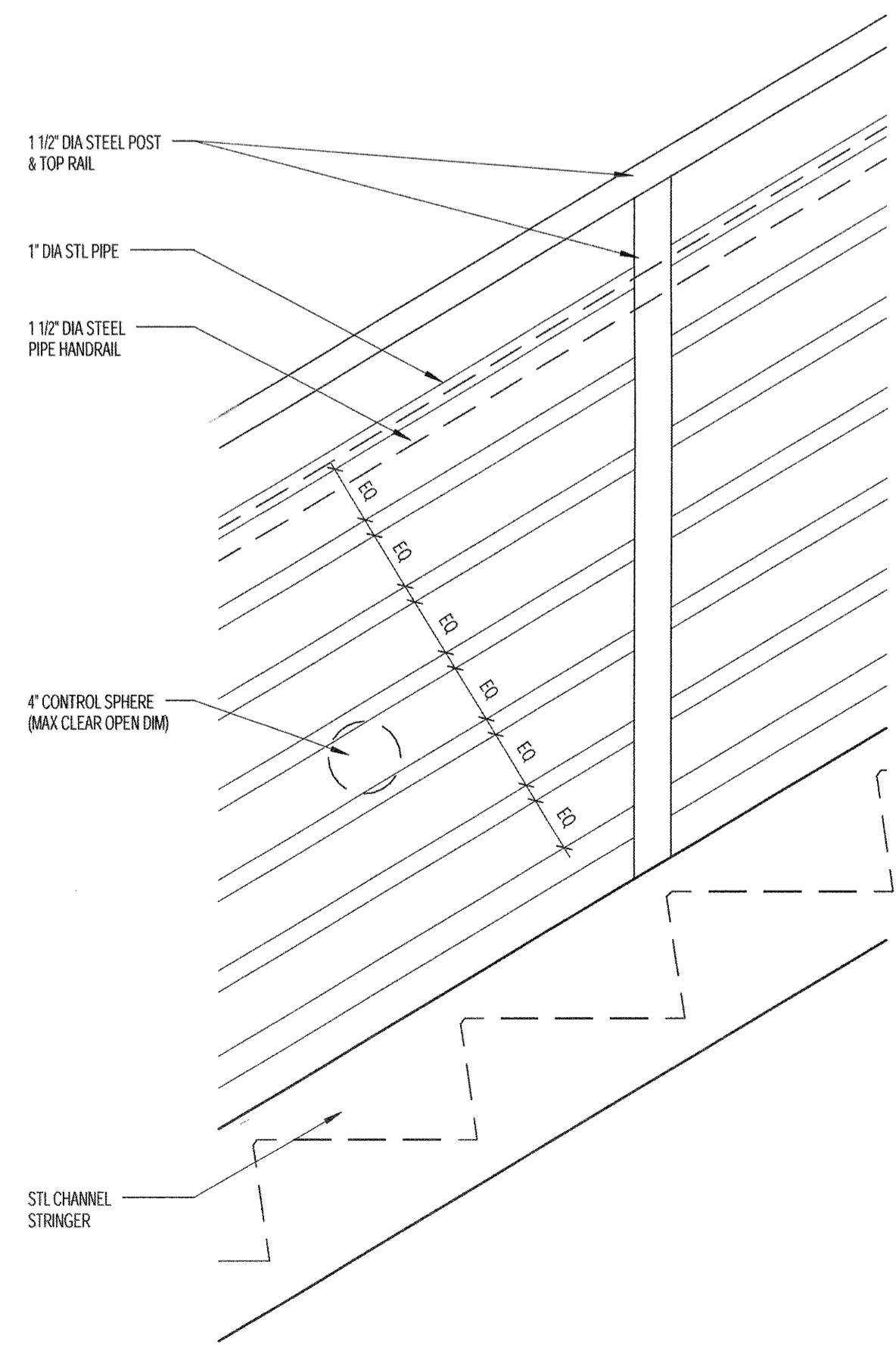
**A4** GUARDRAIL & HANDRAIL SECTION  
 1 1/2" = 1'-0"



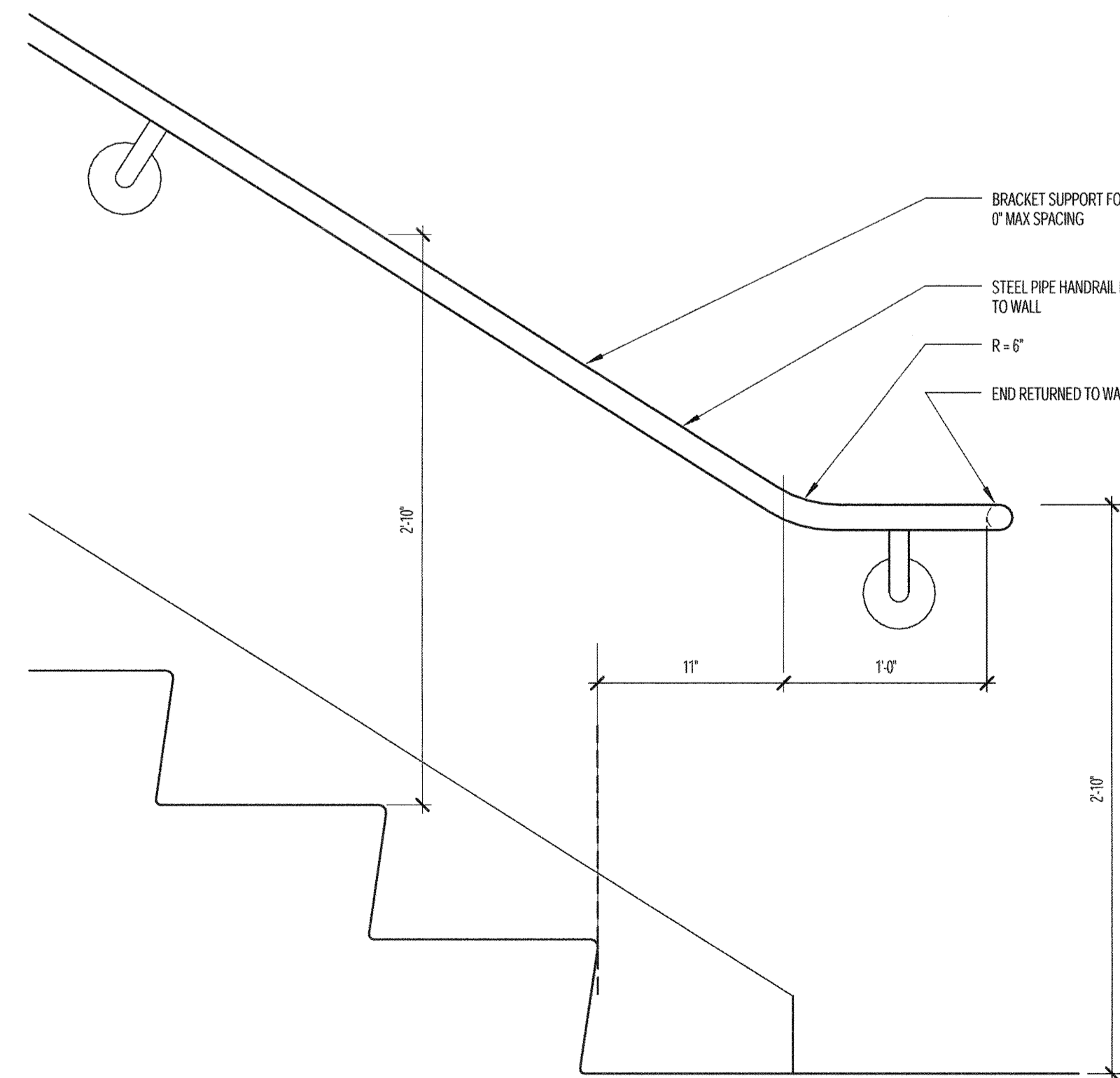
**C1** HANDRAIL AT TOP  
 1 1/2" = 1'-0"



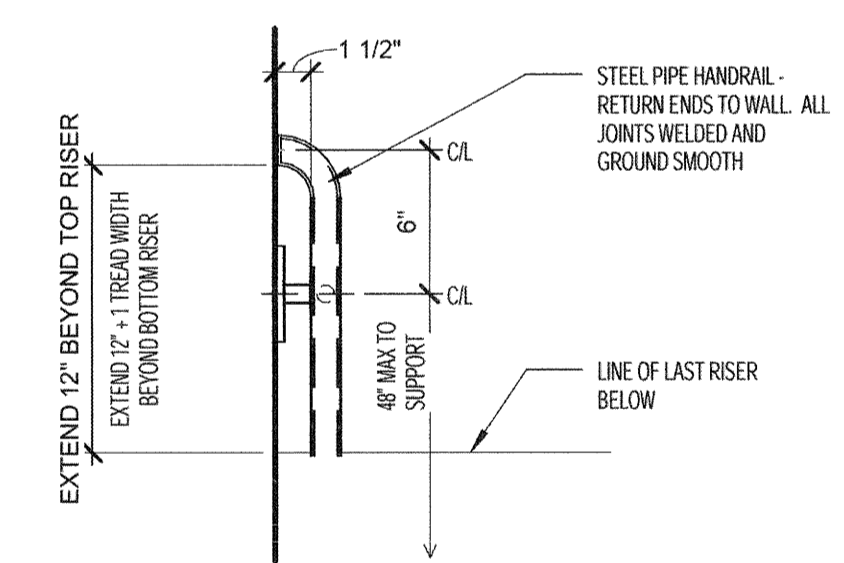
**C1** INTERMEDIATE LANDING DETAIL  
 1 1/2" = 1'-0"



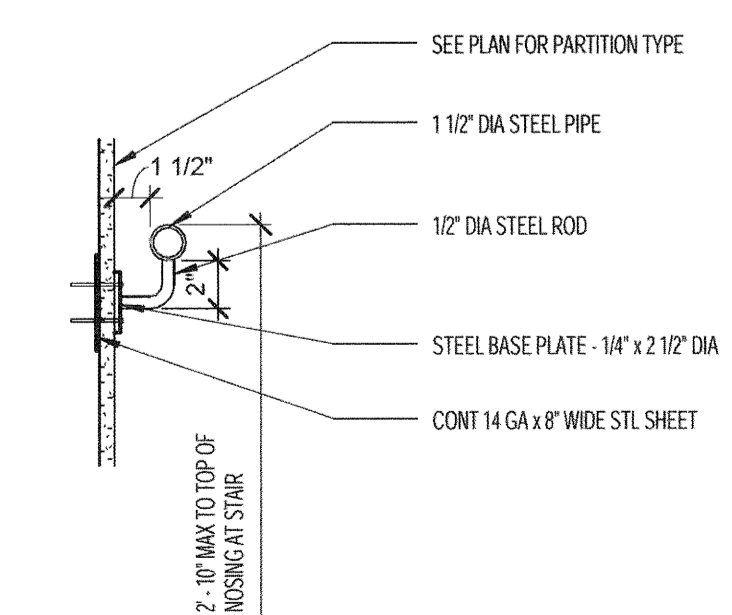
**A3** GUARDRAIL & HANDRAIL  
 1 1/2" = 1'-0"



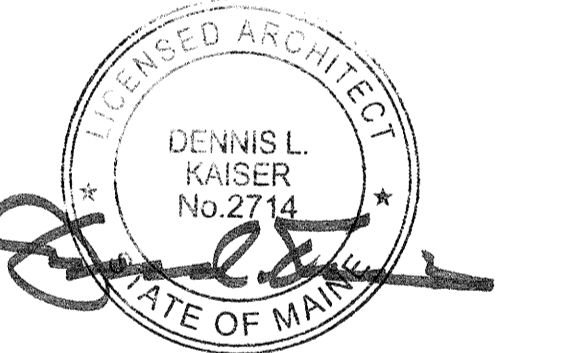
**A2** HANDRAIL AT BOTTOM  
 1 1/2" = 1'-0"



**B1** TYPICAL HANDRAIL DETAIL AT WALL  
 1 1/2" = 1'-0"



**A1** TYPICAL HANDRAIL DETAIL AT WALL  
 1 1/2" = 1'-0"



NO.	ISSUE	DATE
Issued for Permit		02/07/2014
NO.	ISSUE	DATE
<b>Sheet Information</b>		
Date	SEPTEMBER 10, 2013	
Job #	C140135461 (MMC) 152168.000	
Drawn	Author	
Checked	Checker	
Approved	Approver	
<b>Title</b>		