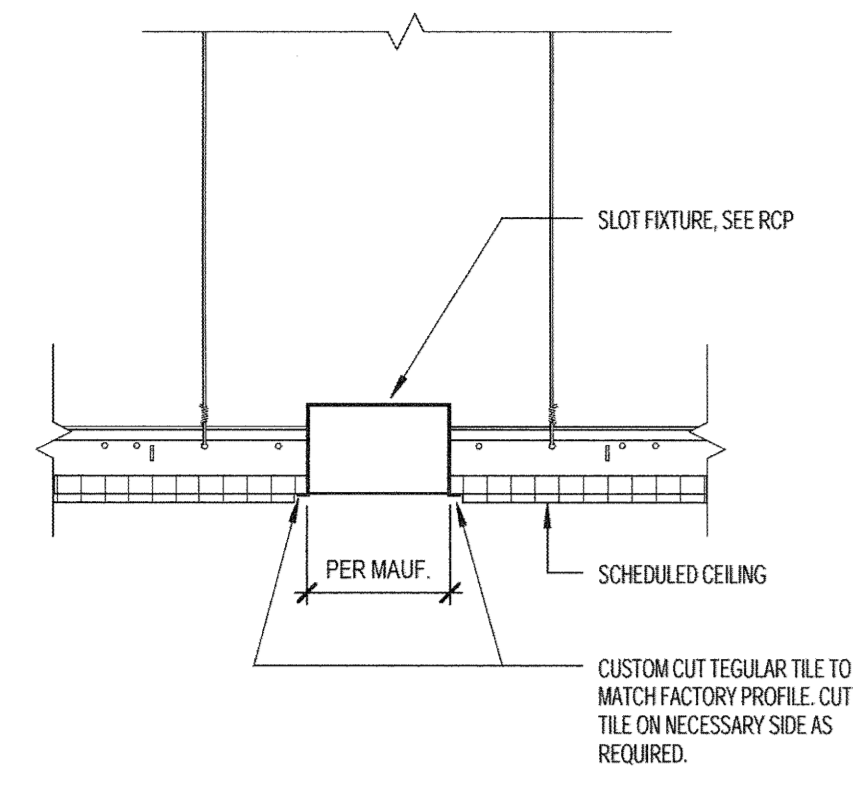
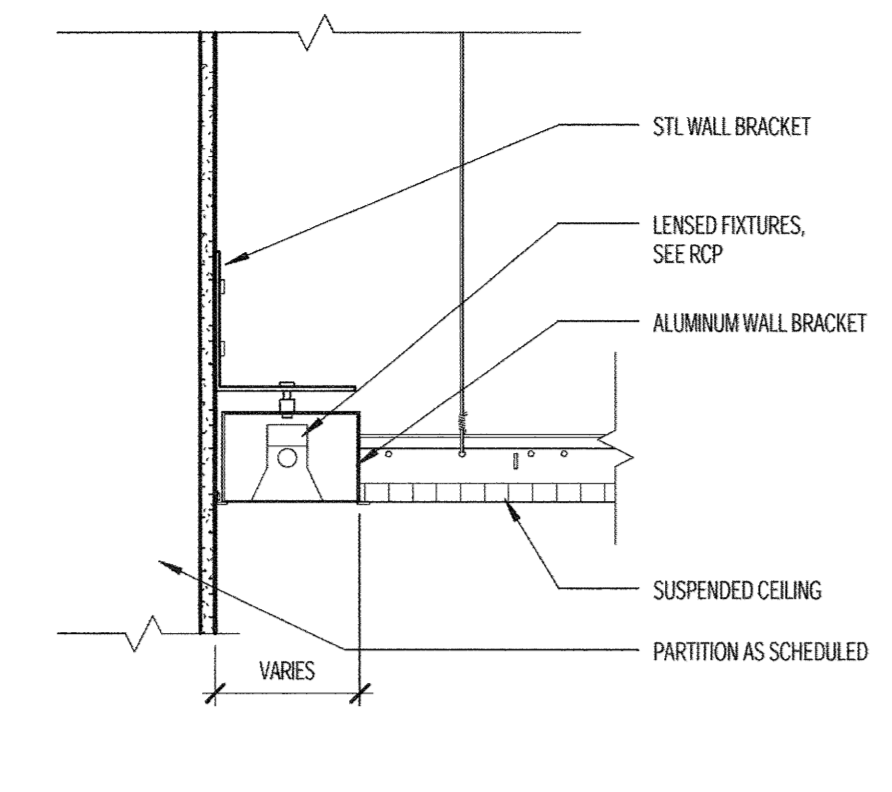


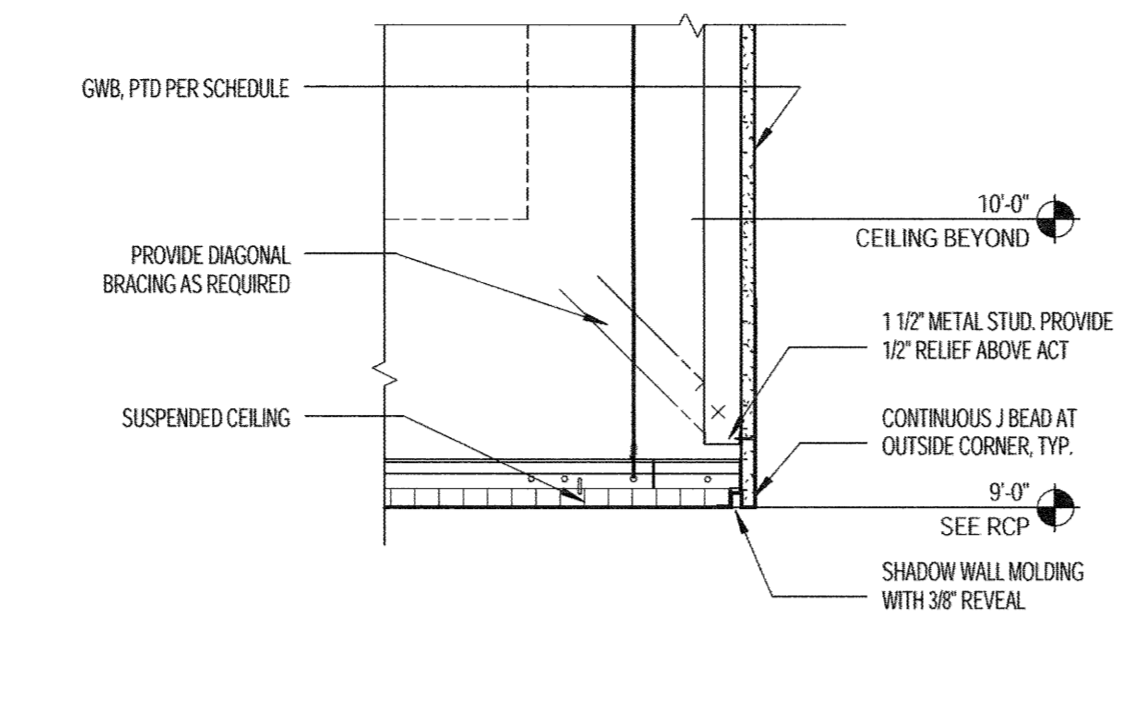
28/2014 7:13:17 PM c:\bentham\new_bean2_arch_kalman\p4



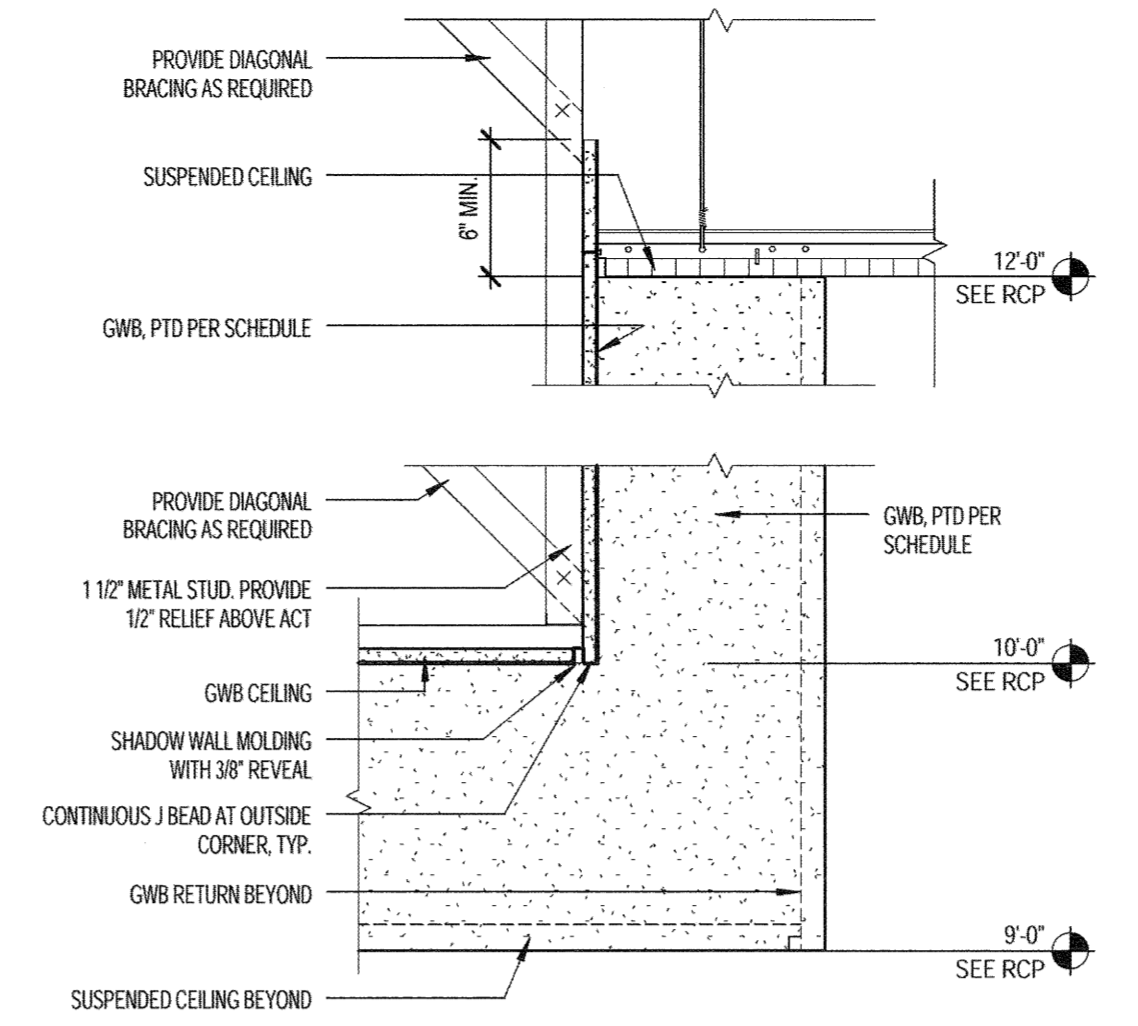
D5 TYPICAL RECESSED SLOT DTL
1 1/2" = 1'-0"



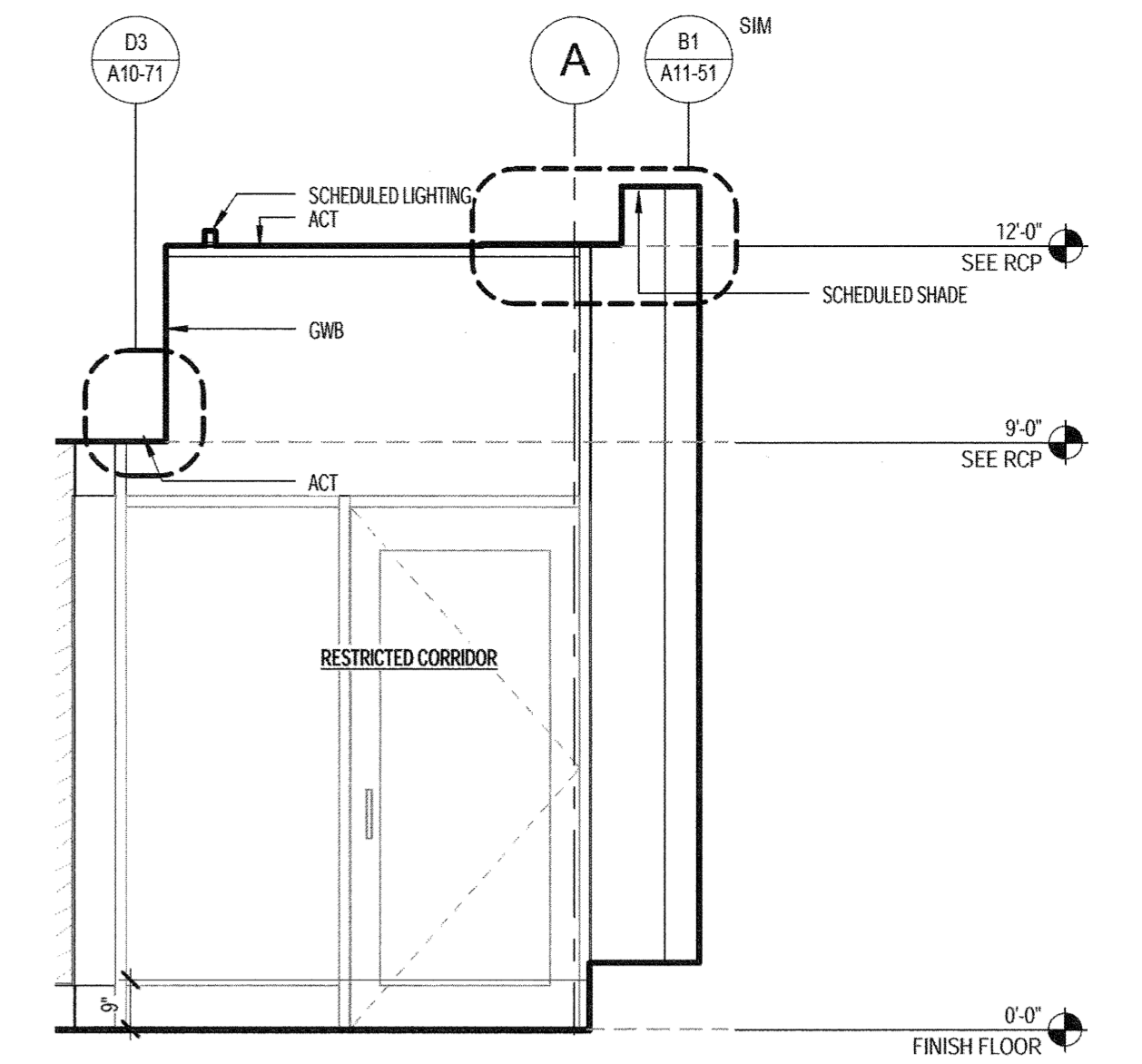
D4 DETAIL @ PERIMETER LIGHT
1 1/2" = 1'-0"



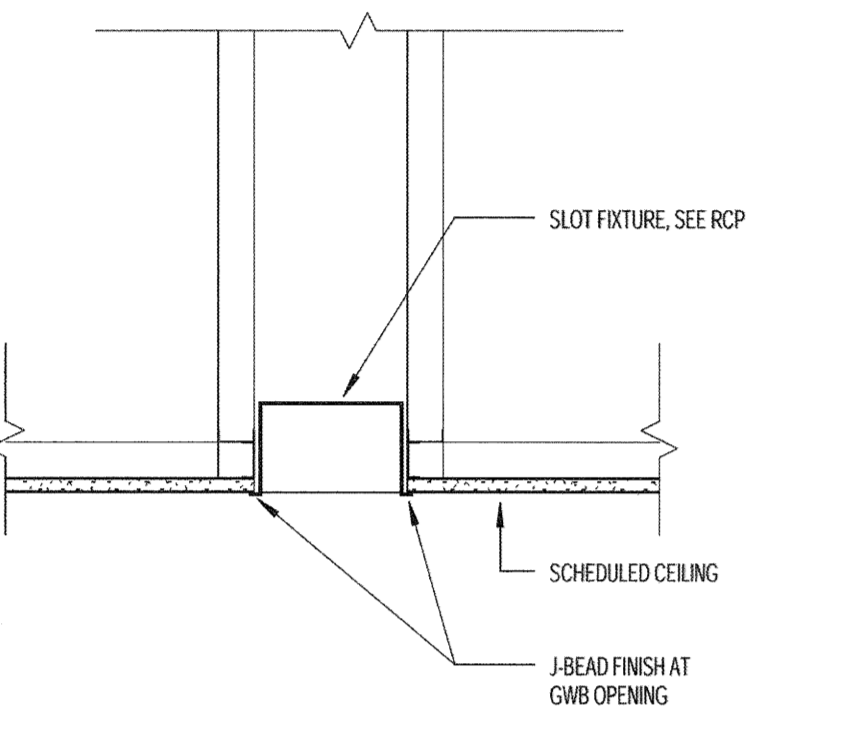
D3 DTL 2 @ RESTRICTED CORRIDOR
1 1/2" = 1'-0"



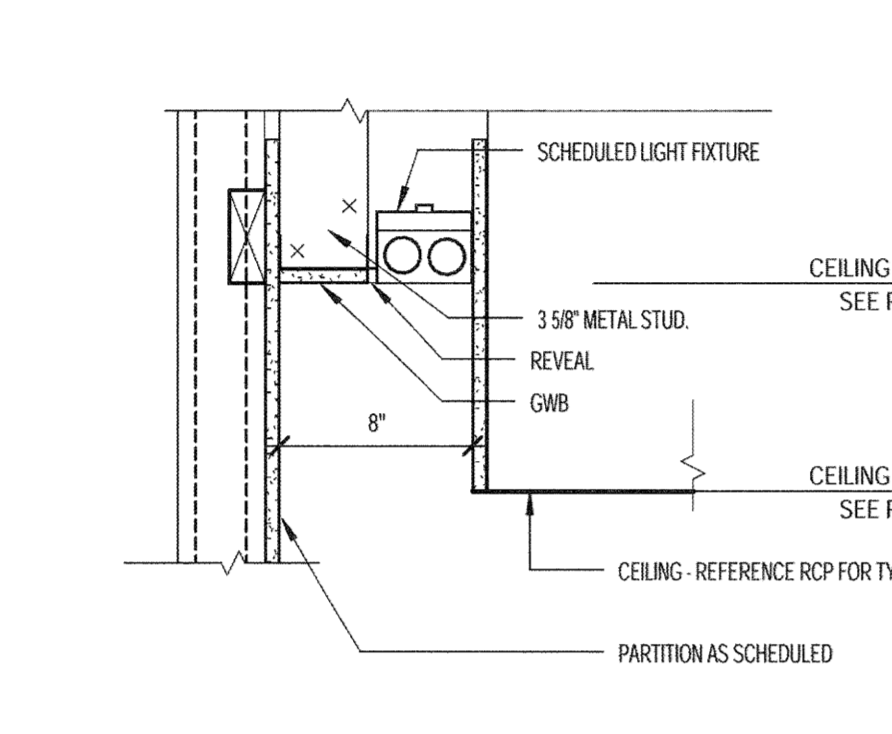
D2 DTL 1 @ RESTRICTED CORRIDOR
1 1/2" = 1'-0"



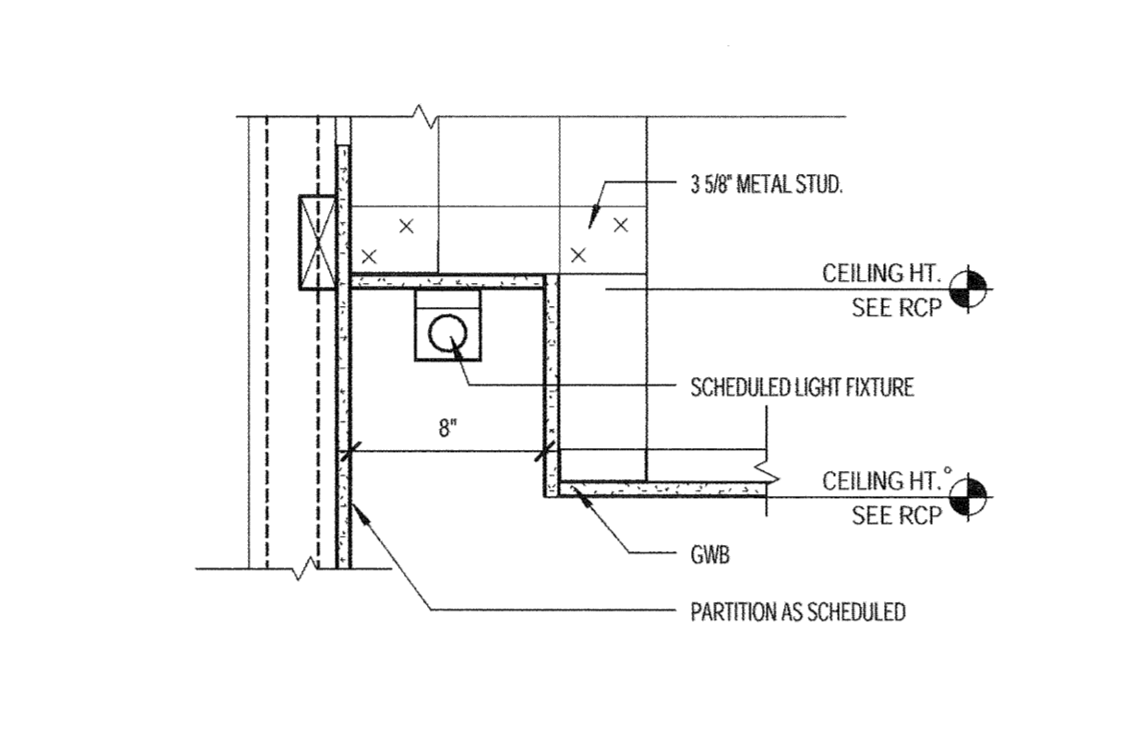
D1 SECTION @ RESTRICTED CORRIDOR
3/8" = 1'-0"



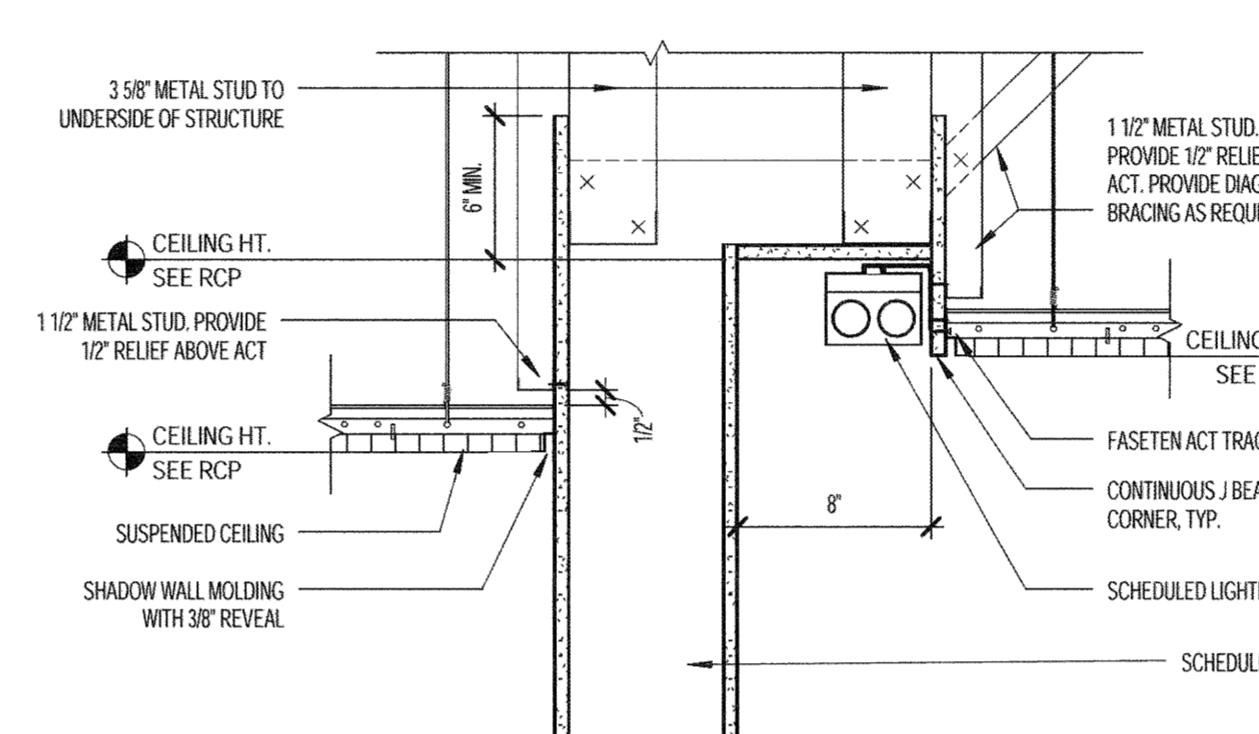
C5 TYPICAL RECESSED SLOT DTL GWB
1 1/2" = 1'-0"



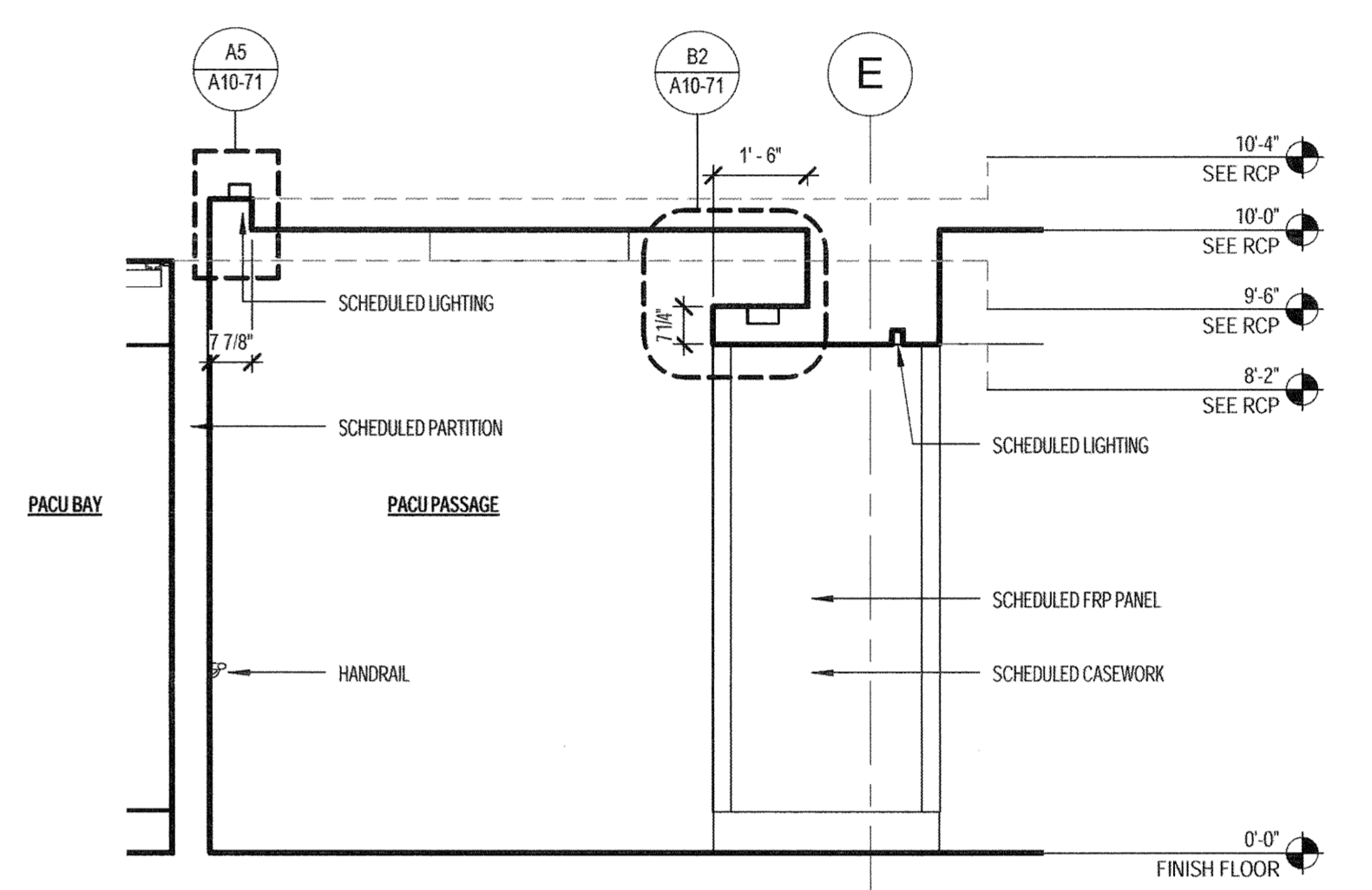
C4 DETAIL @ SLOT LIGHT FIXTURE
1 1/2" = 1'-0"



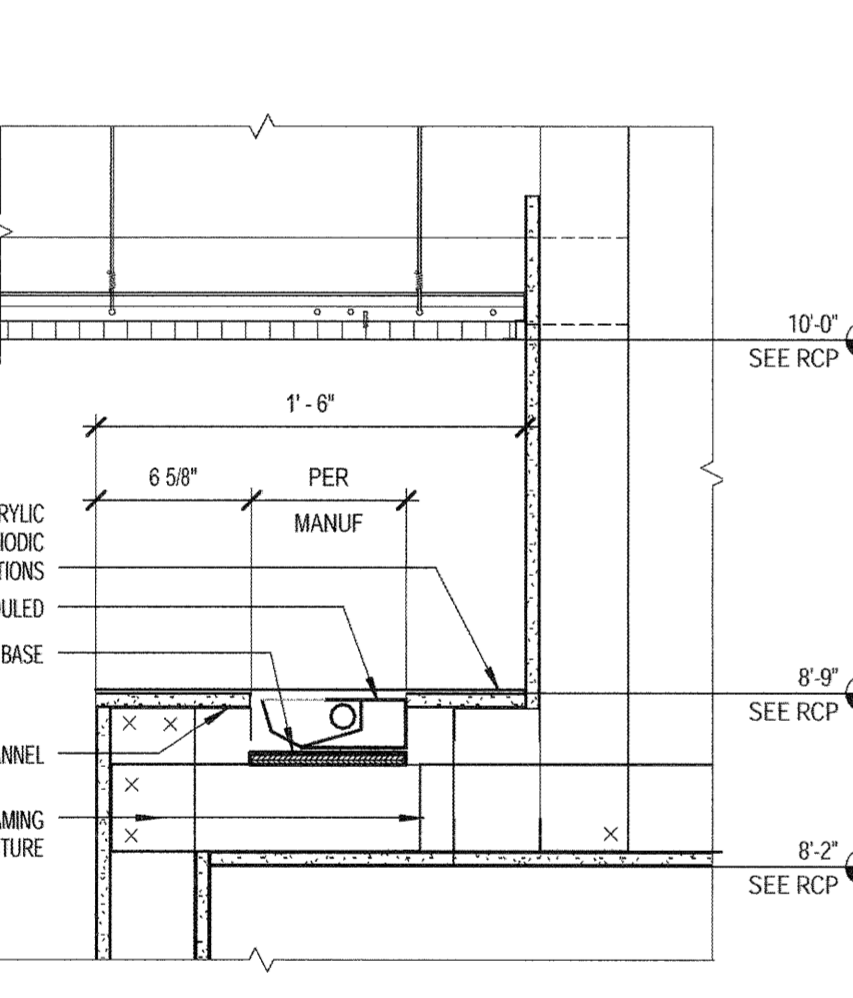
C3 DETAIL @ BATHROOM LIGHT SLOT
1 1/2" = 1'-0"



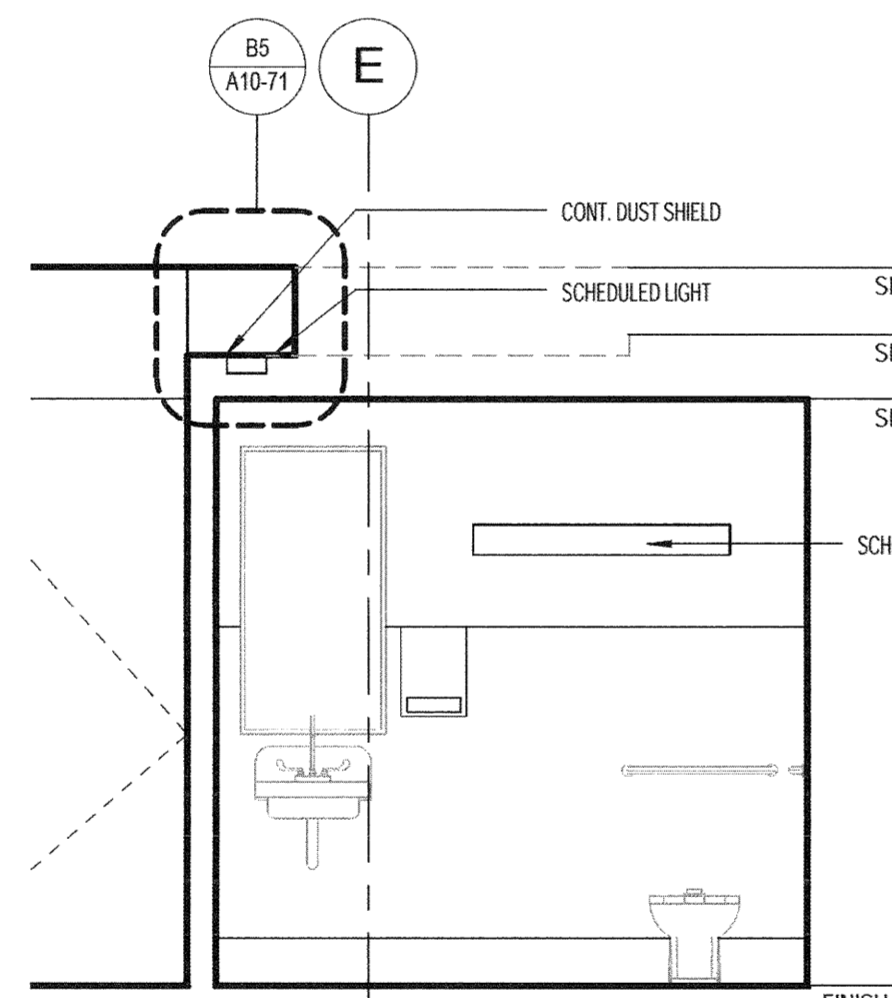
C2 SURFACE MOUNT SLOT DETAIL
1 1/2" = 1'-0"



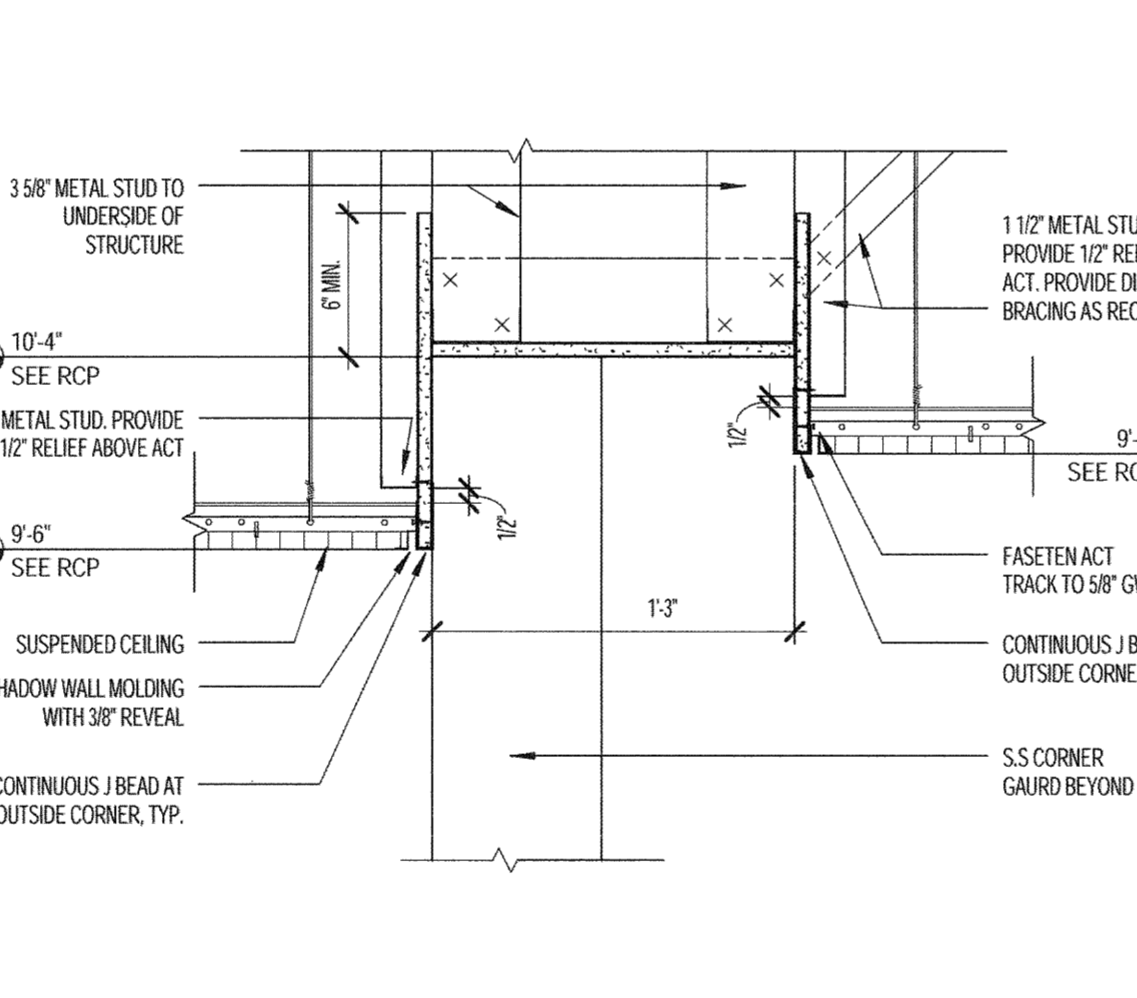
C1 SECTION @ PACU PASSAGE
3/8" = 1'-0"



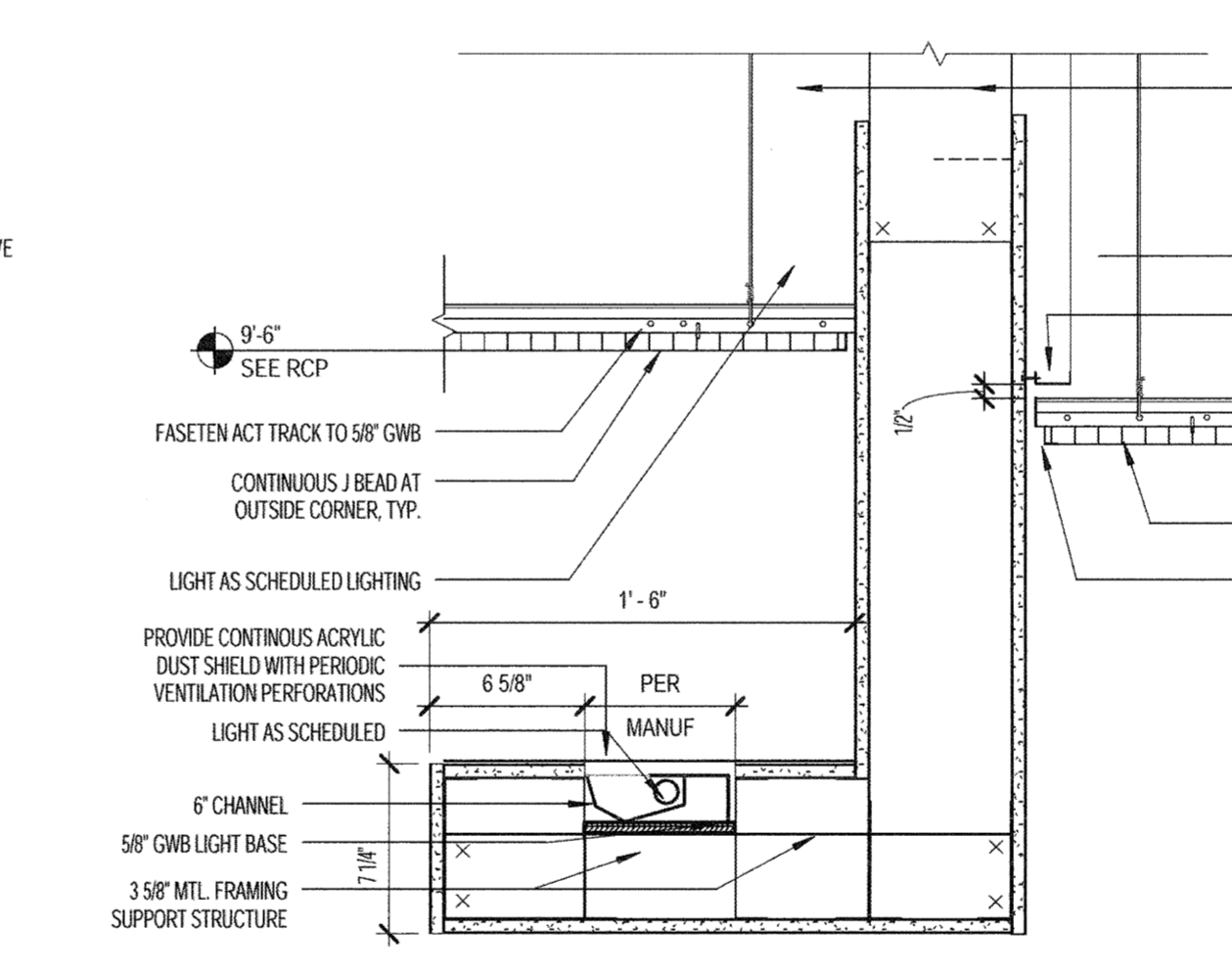
B5 TYPICAL PACU COVE DETAIL
1 1/2" = 1'-0"



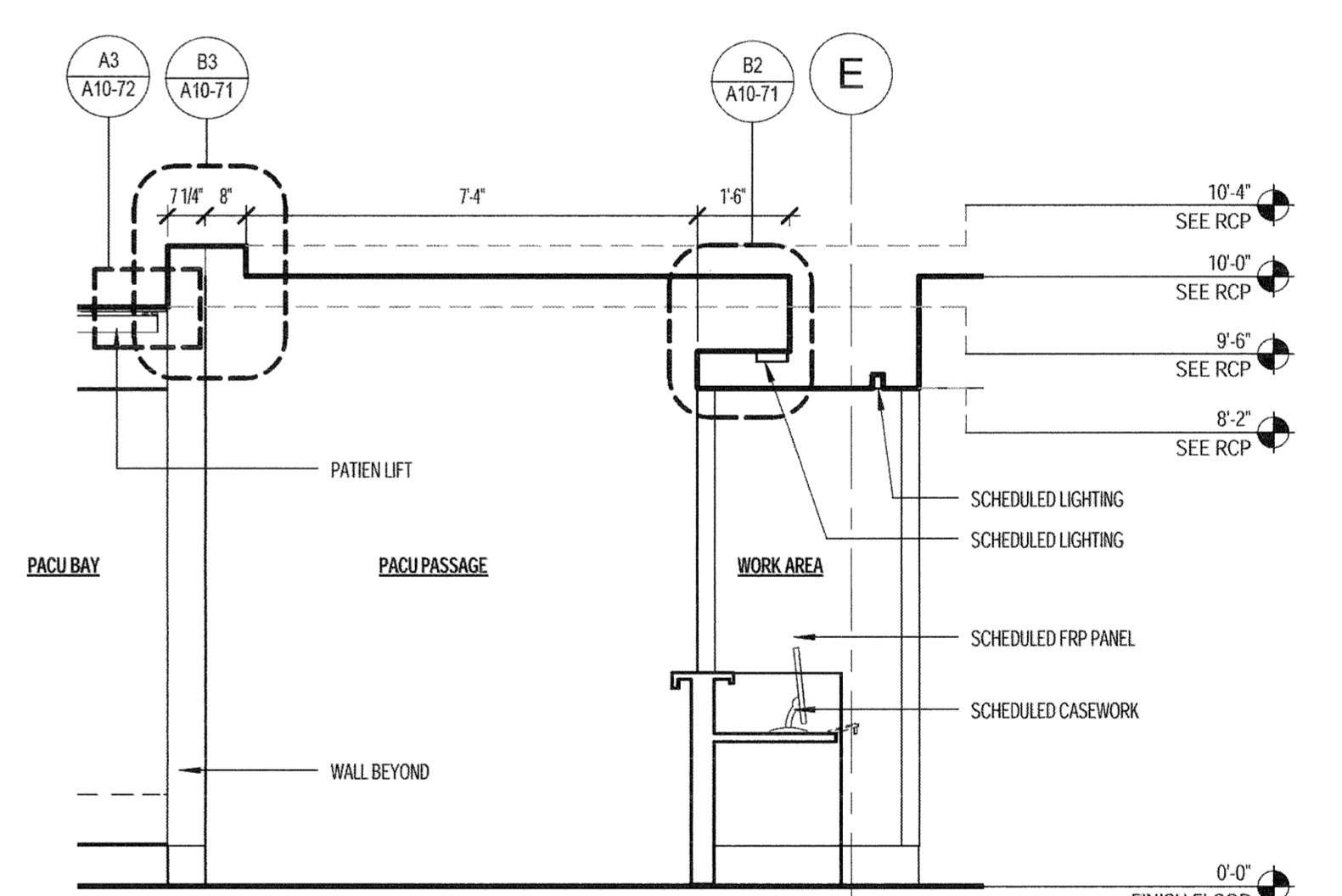
B4 SECTION @ TOILET PATIENT
3/8" = 1'-0"



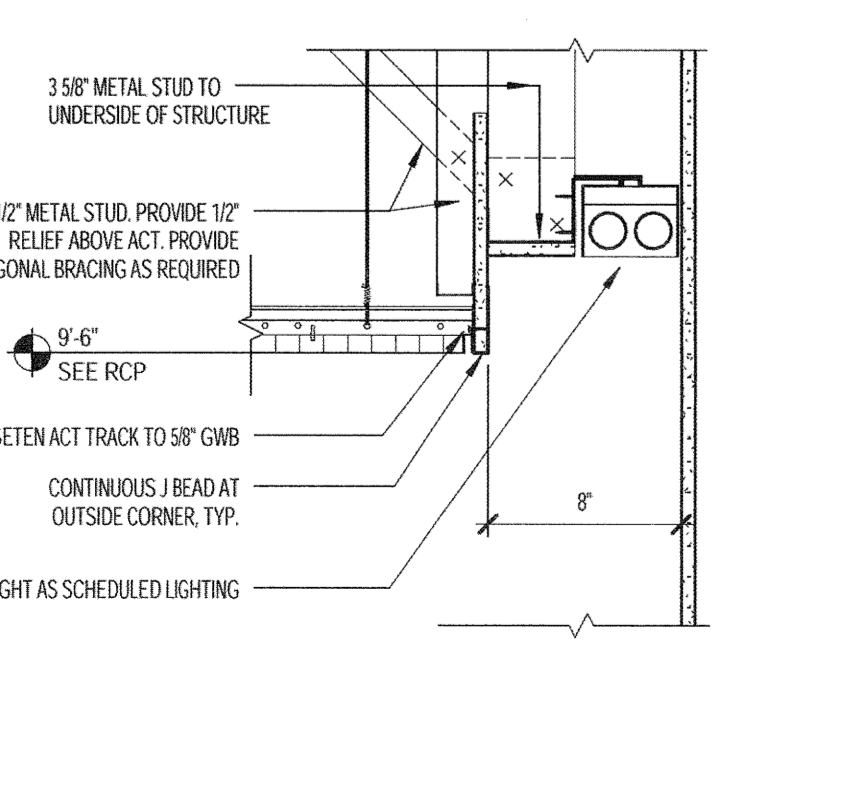
B3 CEILING DETAIL 1 @ PACU COVE
1 1/2" = 1'-0"



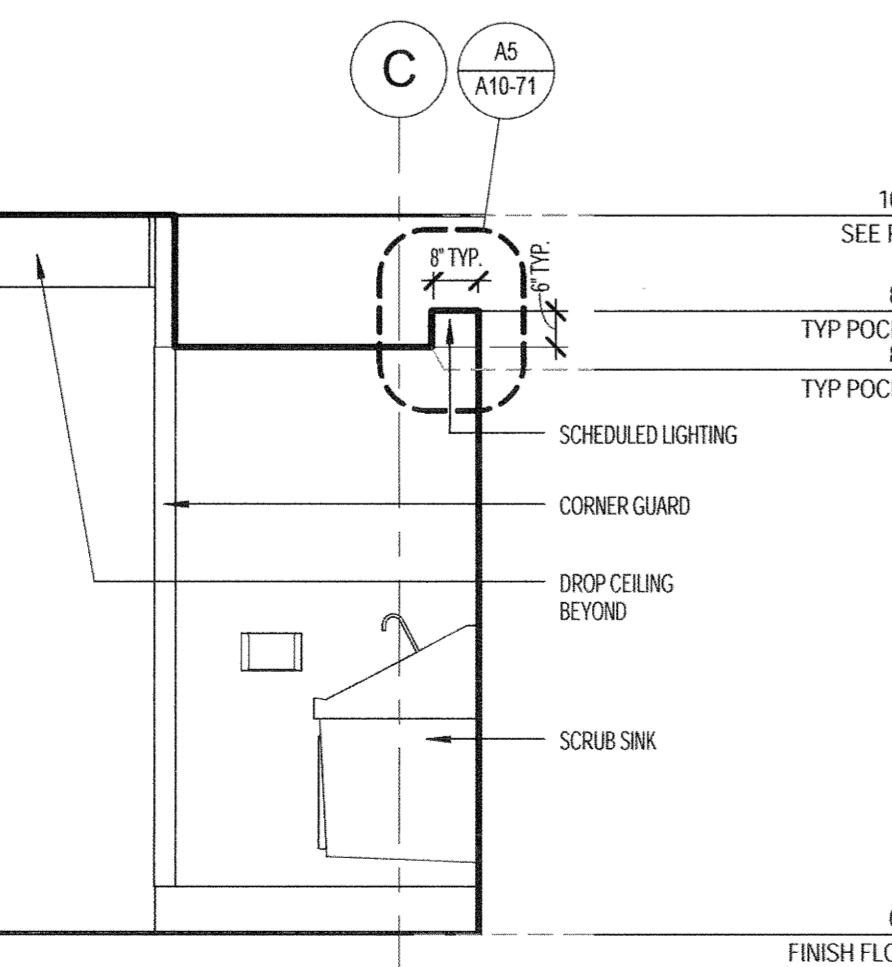
B2 TYPICAL PACU COVE DETAIL
1 1/2" = 1'-0"



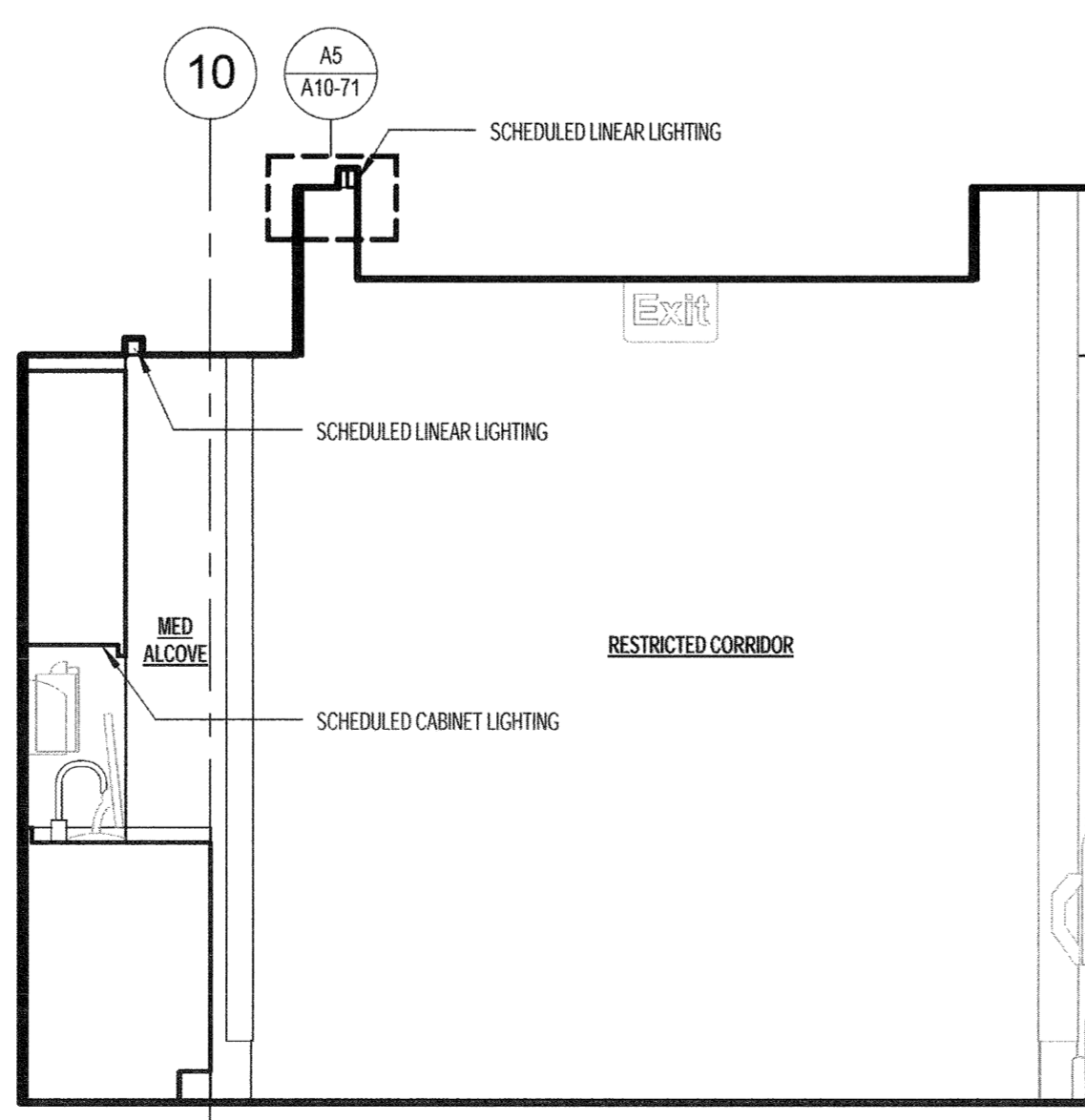
B1 SECTION @ PACU PASSAGE / WORK AREA
3/8" = 1'-0"



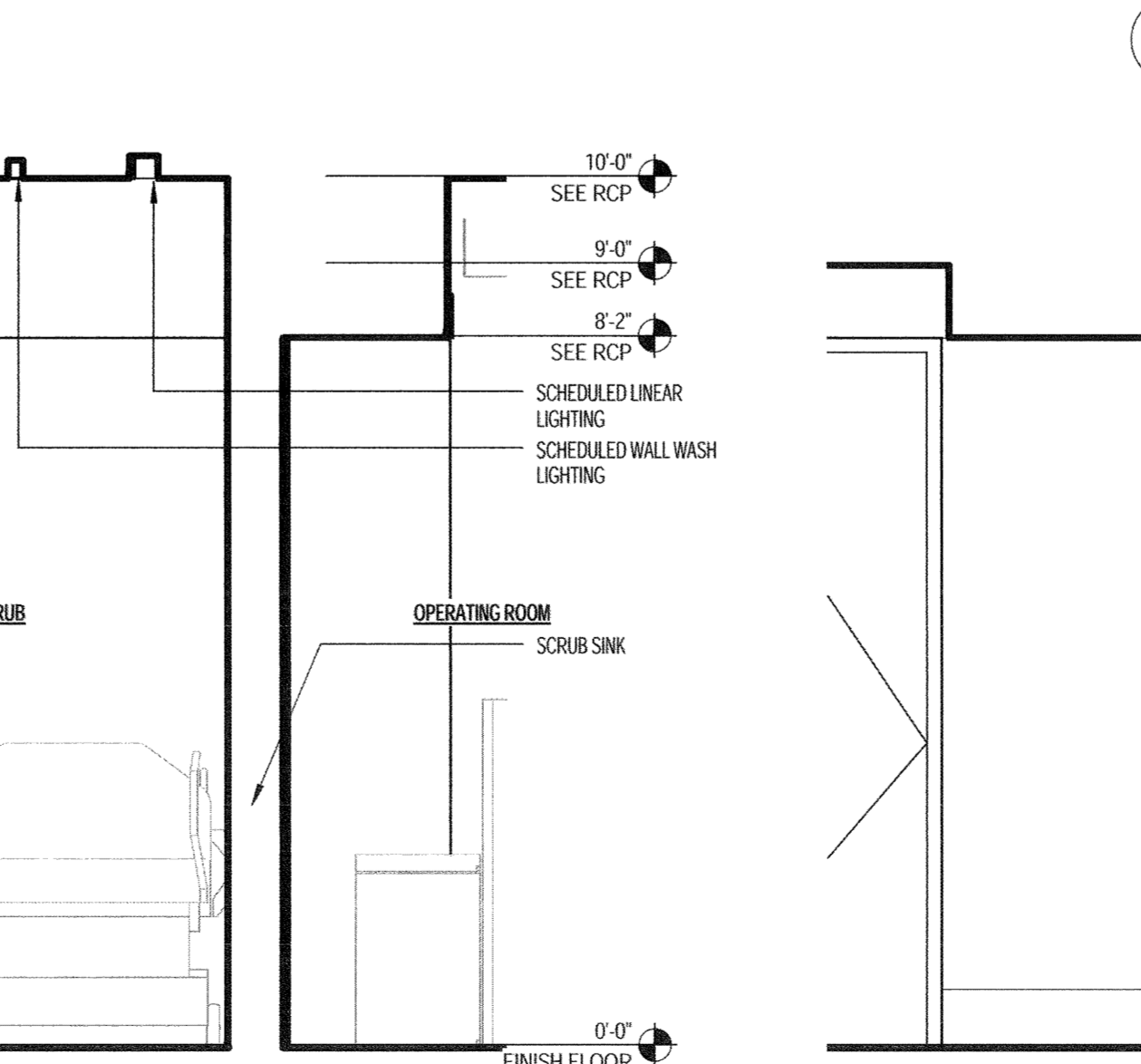
A5 TYPICAL POCKET LIGHT
1 1/2" = 1'-0"



A4 TYPICAL SCRUB SINK CEILING POCKET
3/8" = 1'-0"



A3 SECTION 2 @ RESTRICTED CORRIDOR
1/2" = 1'-0"



A1 SECTION 1 @ RESTRICTED CORRIDOR
1/2" = 1'-0"

PERKINS + WILL
225 Franklin St., Suite 1100
Boston, MA 02110
1 617 439 0300
1 617 478 0321
www.perkinswill.com

Maine Medical Center
MaineHealth

Bean 2 Roof Addition
22 Bramhall Street, Portland, Maine 04102

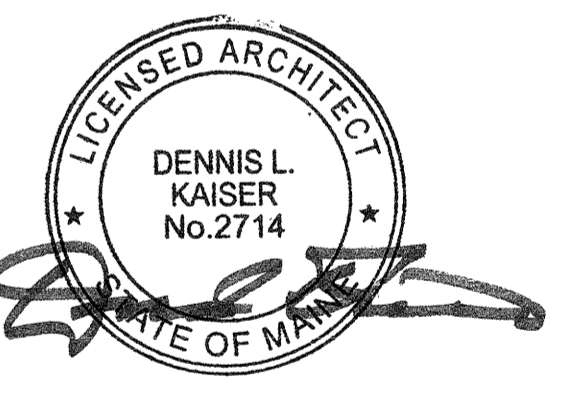
MVP ENGINEER
AKF ENGINEERS
41 Farnsworth Street, 3rd Floor
Boston, MA 02210
1 617 731 3111
1 617 731 4311

STRUCTURAL ENGINEER
SIMPSON GUMPERTZ & HEGER
41 Seyon Street, Building 1, Suite 500
Watkins, MA 02453
1 781 907 5000
1 781 907 5009

MEDICAL EQUIPMENT PLANNERS
RTL ASSOCIATES INC.
1717 PACIFIC AVENUE
DALLAS, TX 75201
1 214 468 7600
1 214 468 7601

COST ESTIMATOR
DG JONES & PARTNERS
3 Baldwin Green Common, Suite 202
Watkins, MA 02451
1 781 932 3331
1 781 932 3199

CONSTRUCTION DOCUMENTS



Revisions

Issued for Permit	02/07/2014
NO.	ISSUE
NO.	DATE
Sheet Information	
Date	SEPTEMBER 10, 2013
Job #	C140135461 (MMC) 152168.000
Drawn	Author
Checked	DG
Approved	DG
Title	

CEILING DETAILS

Sheet
A10-71

Copyright © 2013 Perkins+Will