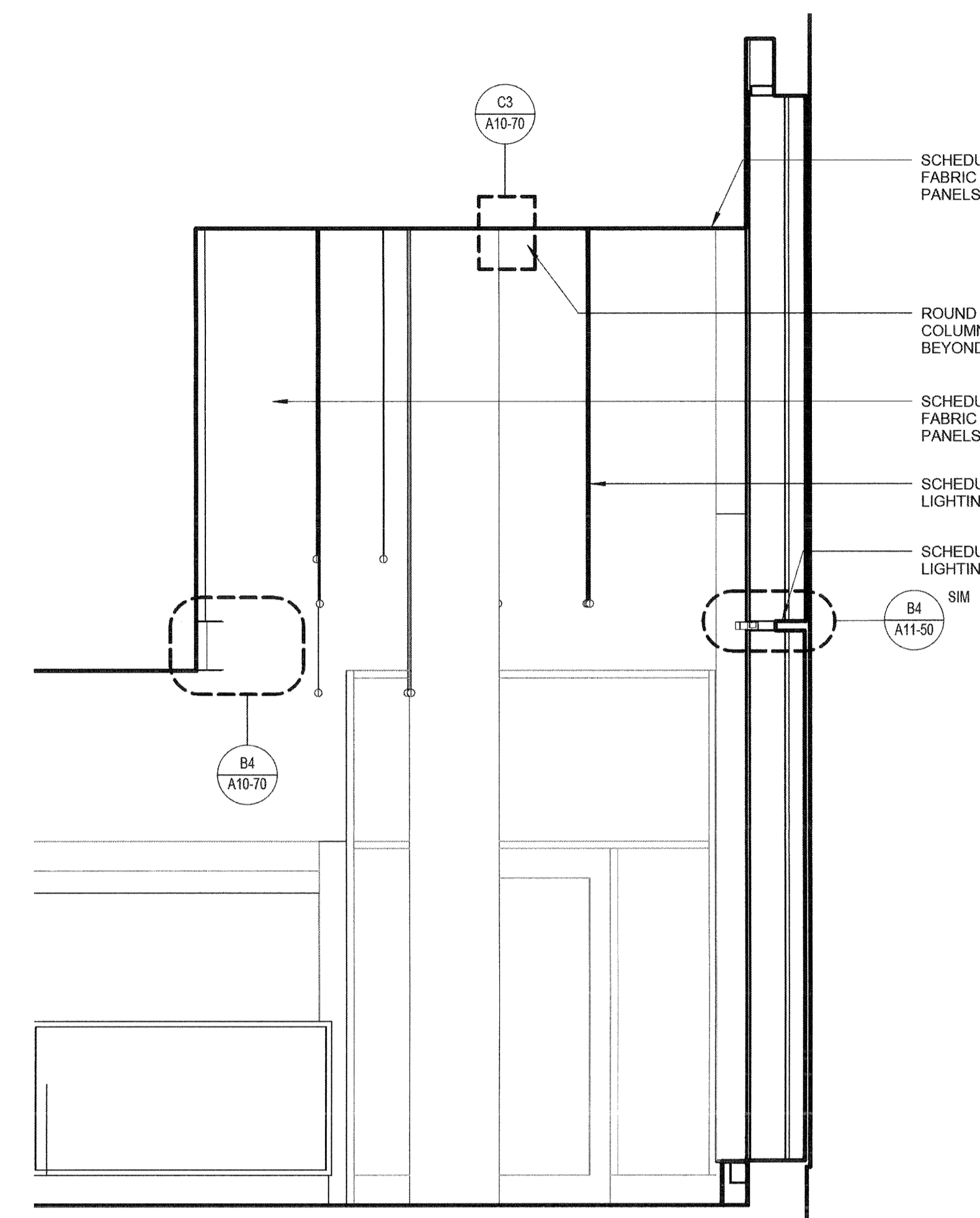
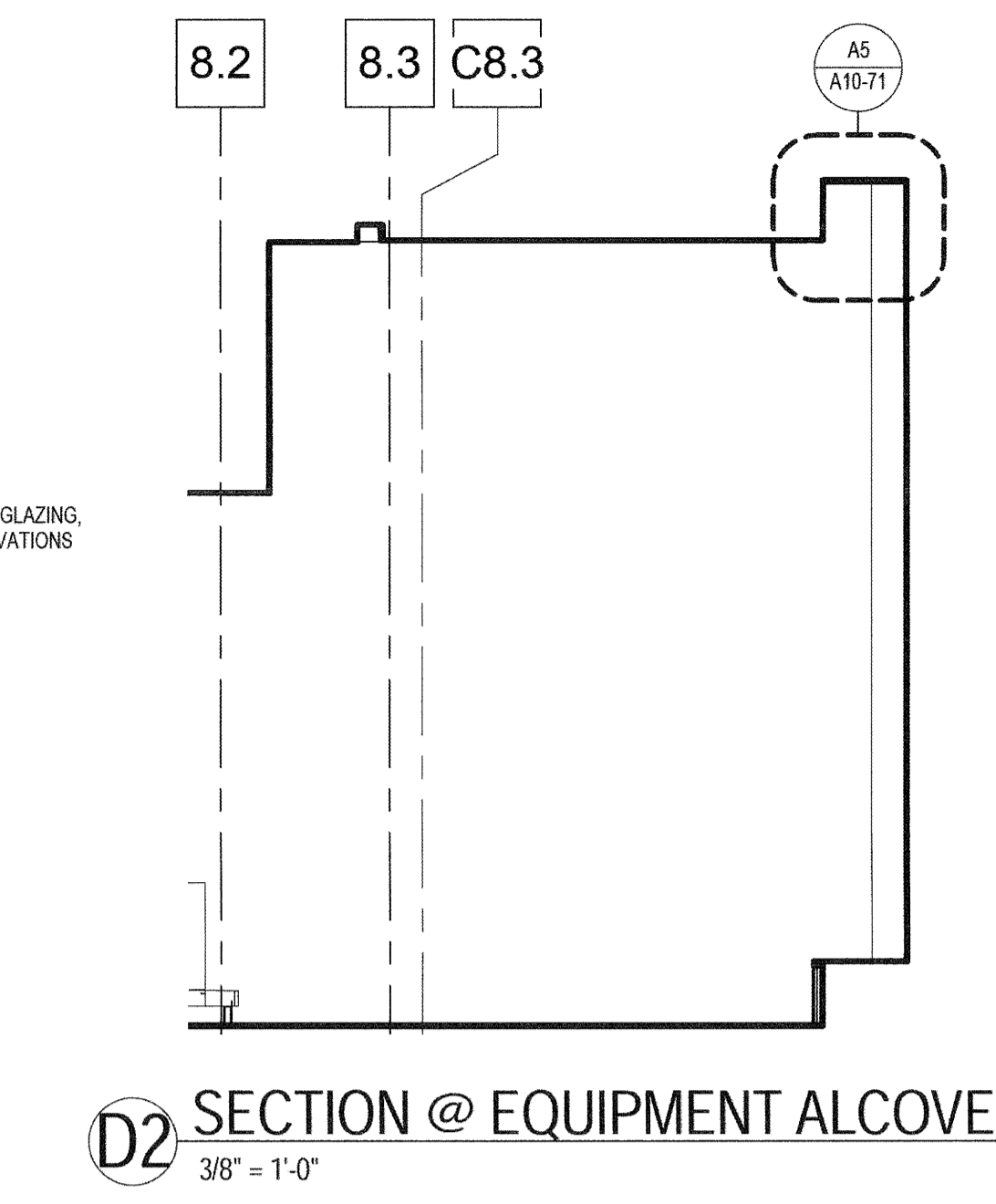


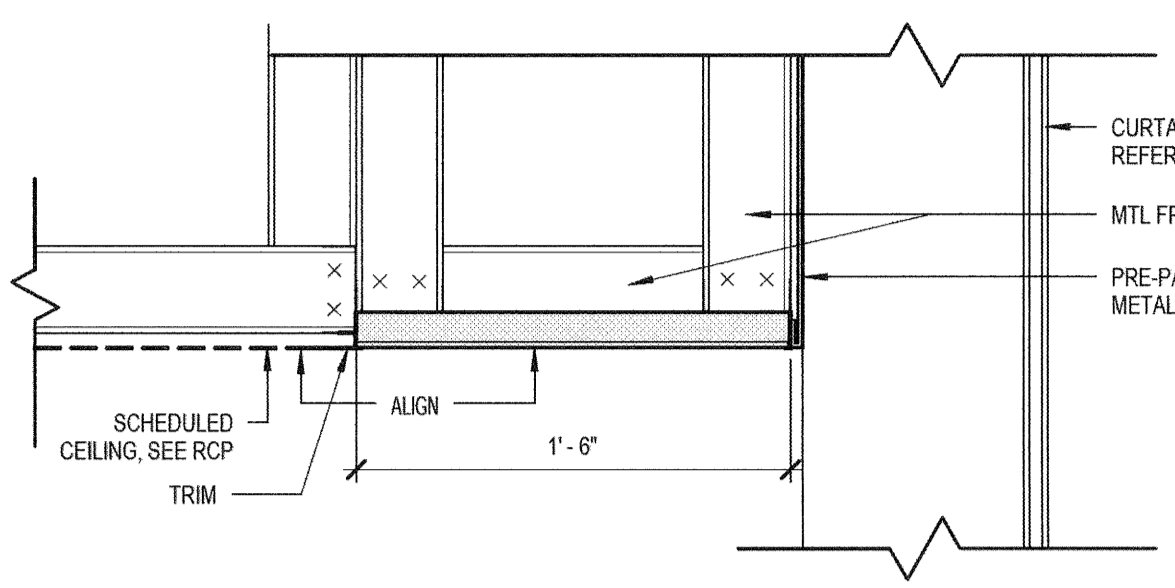
Issued for Permit	02/07/2014
NO	ISSUE
DATE	DATE
Sheet Information	
Date	SEPTEMBER 10, 2013
Job #	C140135461 (MMC)/ 152168.000
Drawn	Author
Checked	Checker
Approved	Approver
Title	



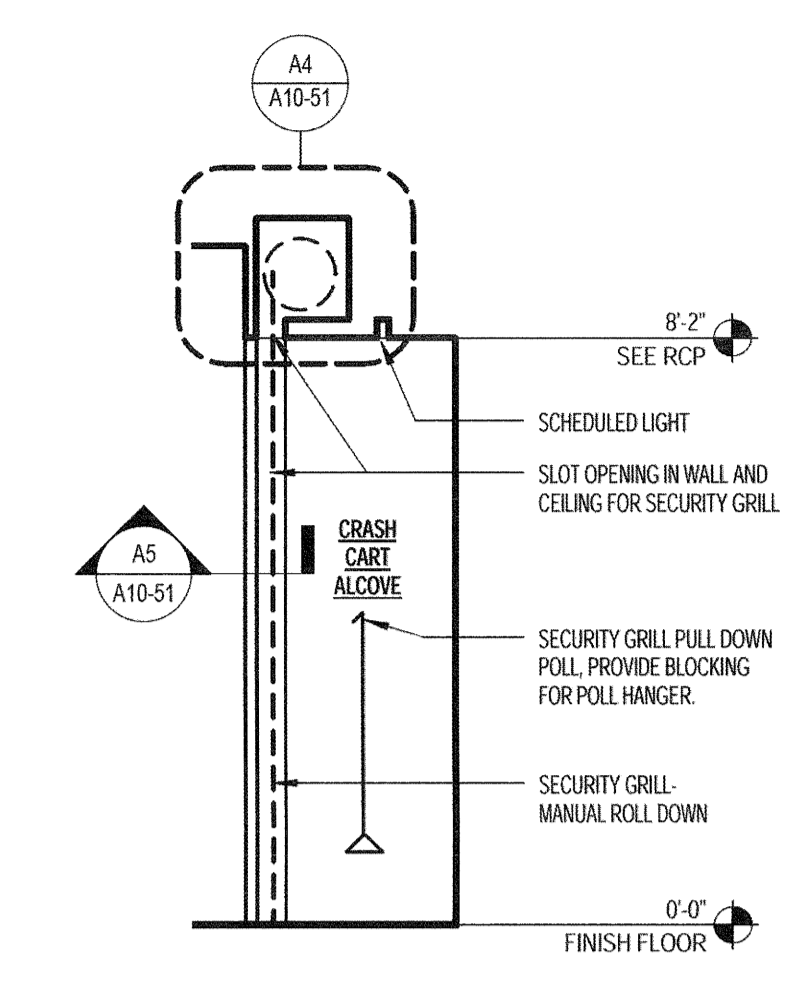
C1 STAFF LOUNGE SECTION
3/8" = 1'-0"



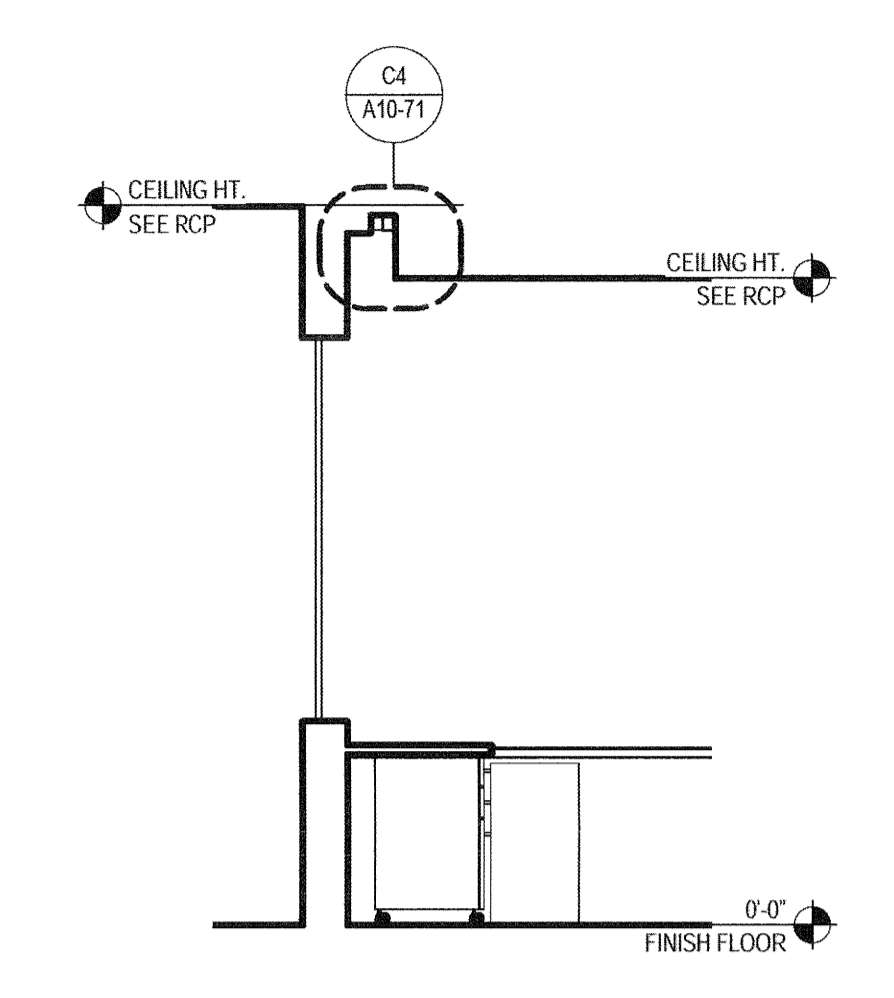
D2 SECTION @ EQUIPMENT ALCOVE
3/8" = 1'-0"



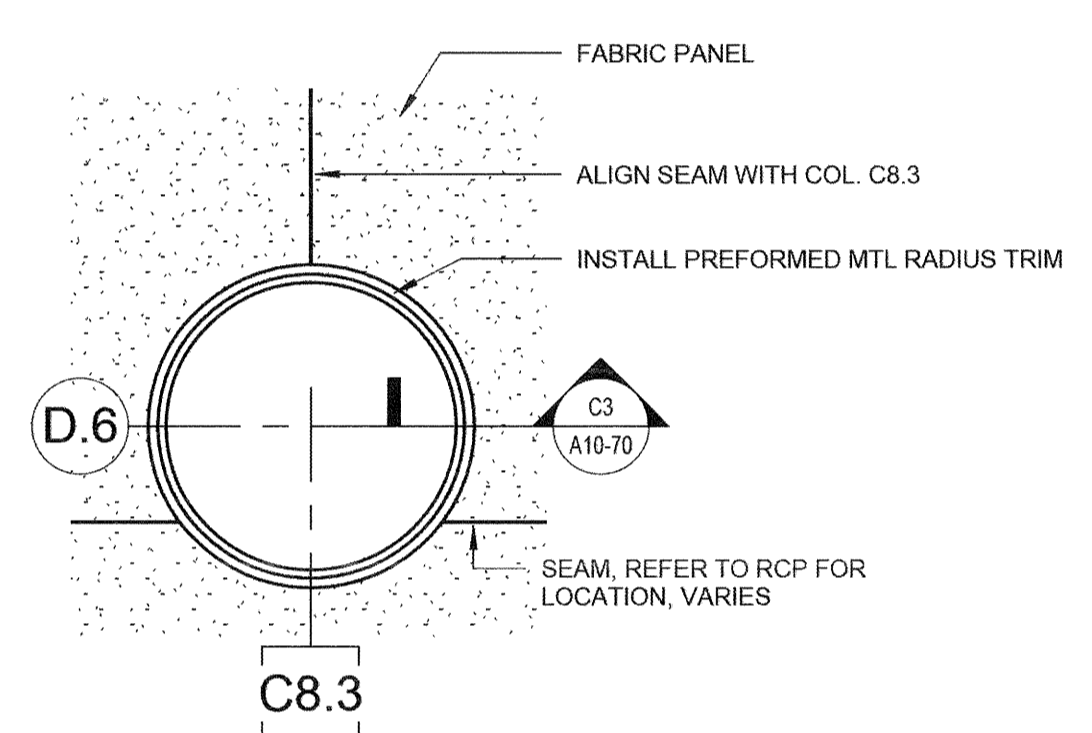
D3 RADIANT PANEL DETAIL
1 1/2" = 1'-0"



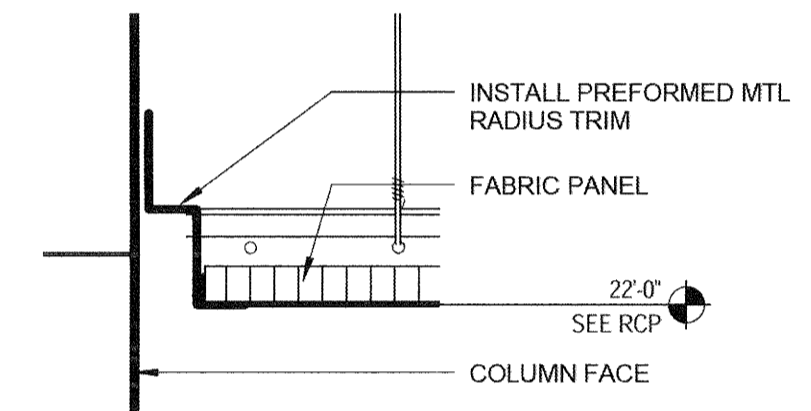
D4 SECTION @ CART ALCOVE
3/8" = 1'-0"



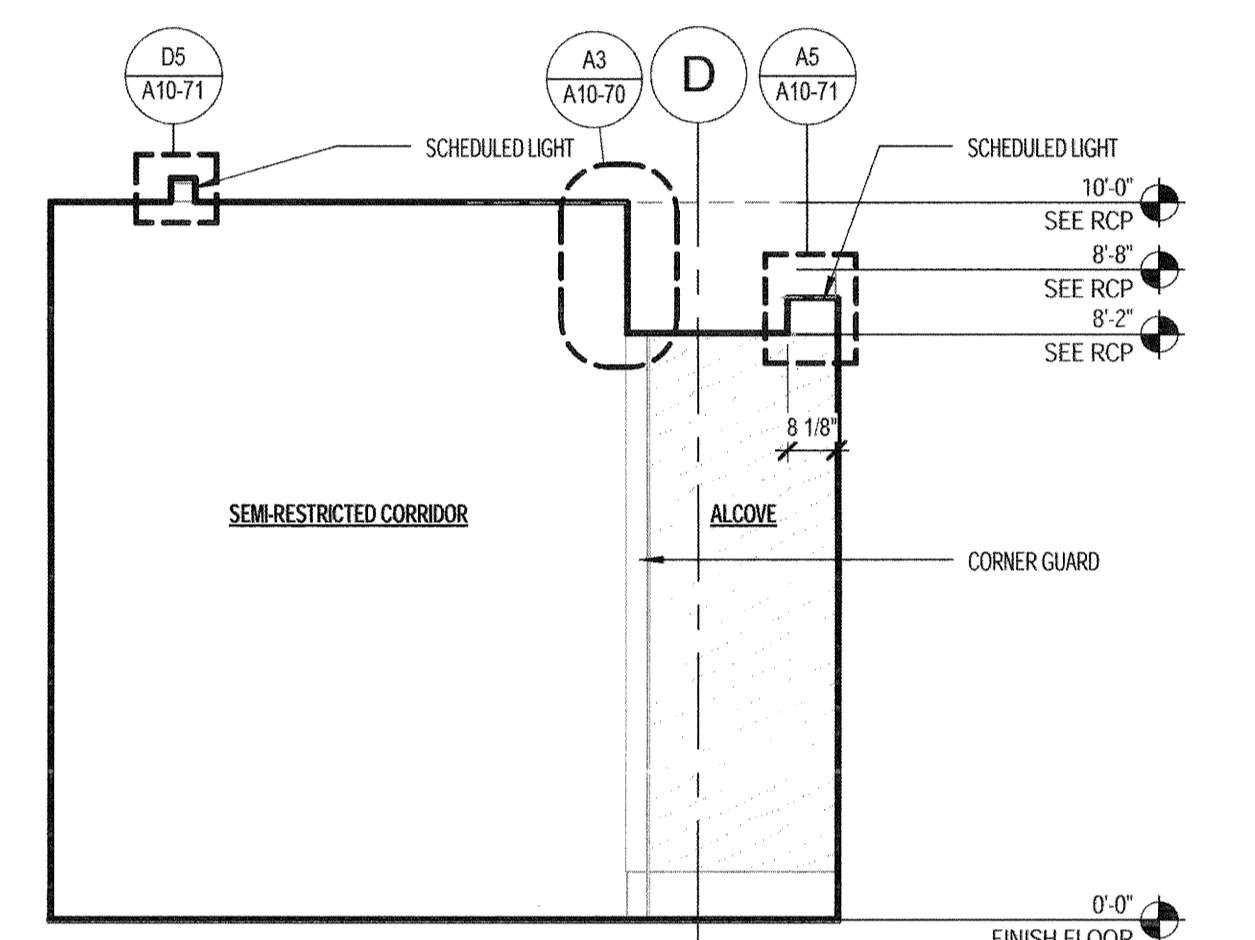
D6 SECTION @ CONTROL DESK
3/8" = 1'-0"



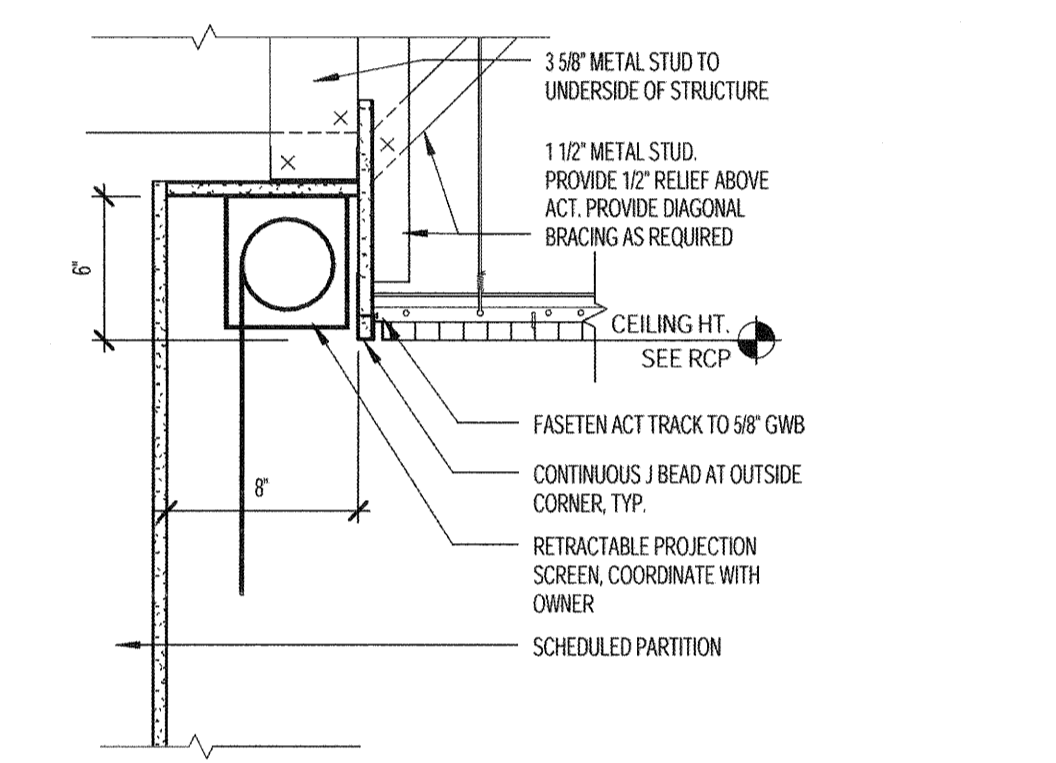
C2 DTL @ STAFF LOUNG COLUMN
3/4" = 1'-0"



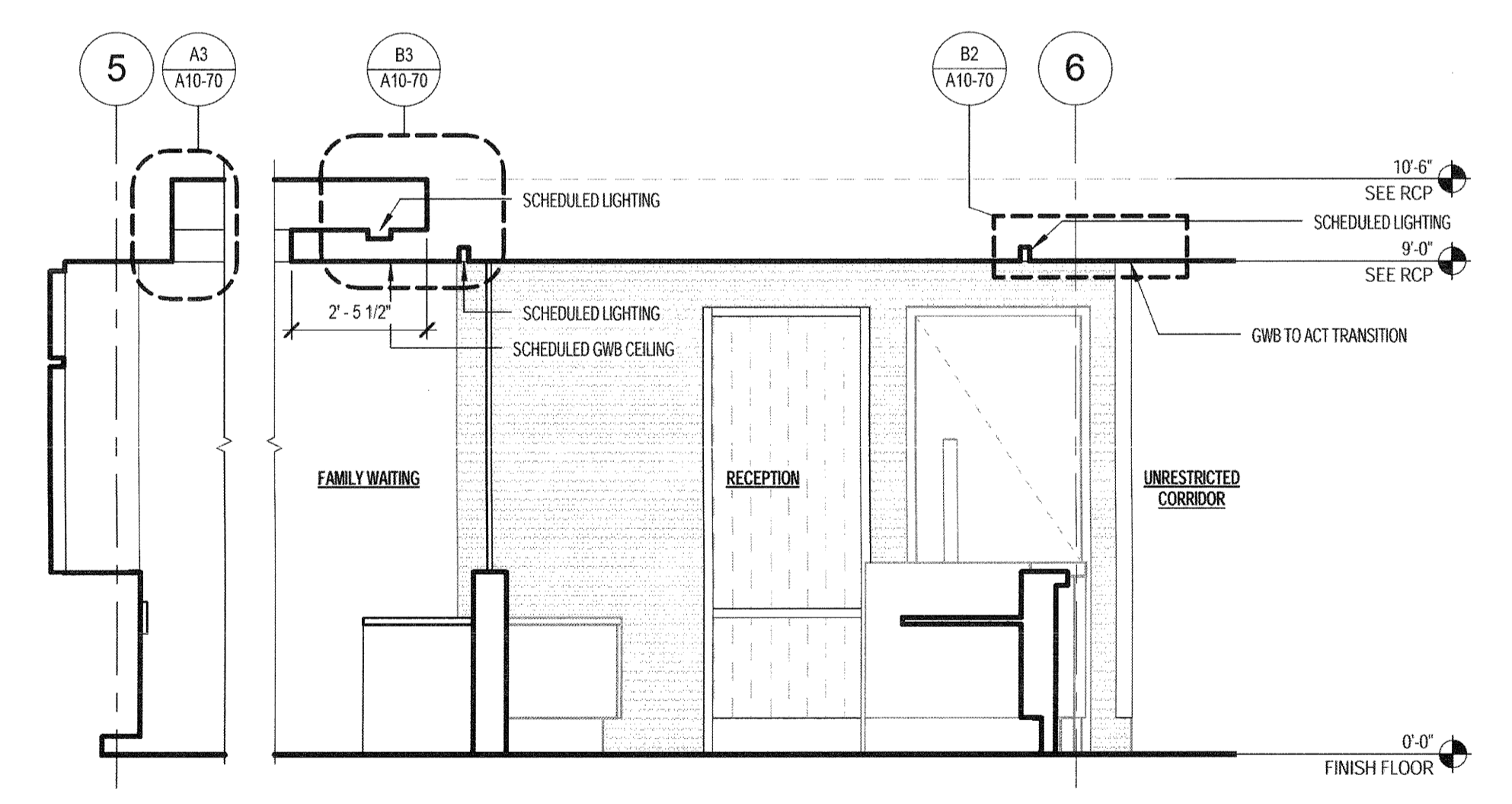
C3 COLUMN TRIM DETAIL
3" = 1'-0"



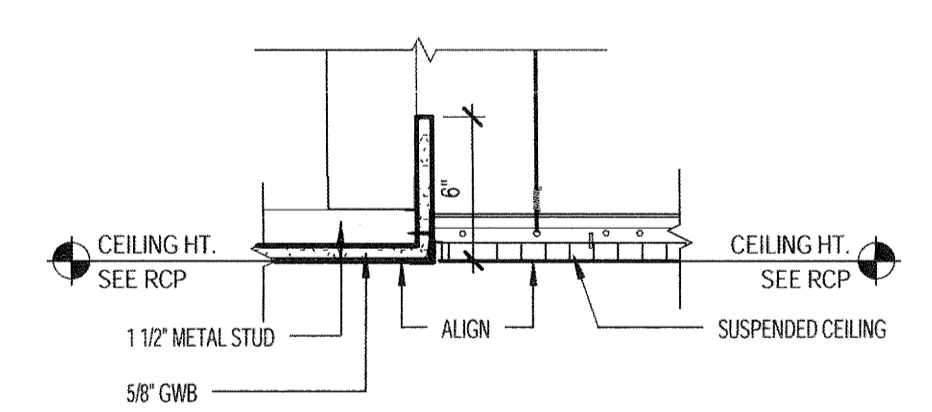
C4 SECTION @ SEMI RESTRICTED CORRIDOR
3/8" = 1'-0"



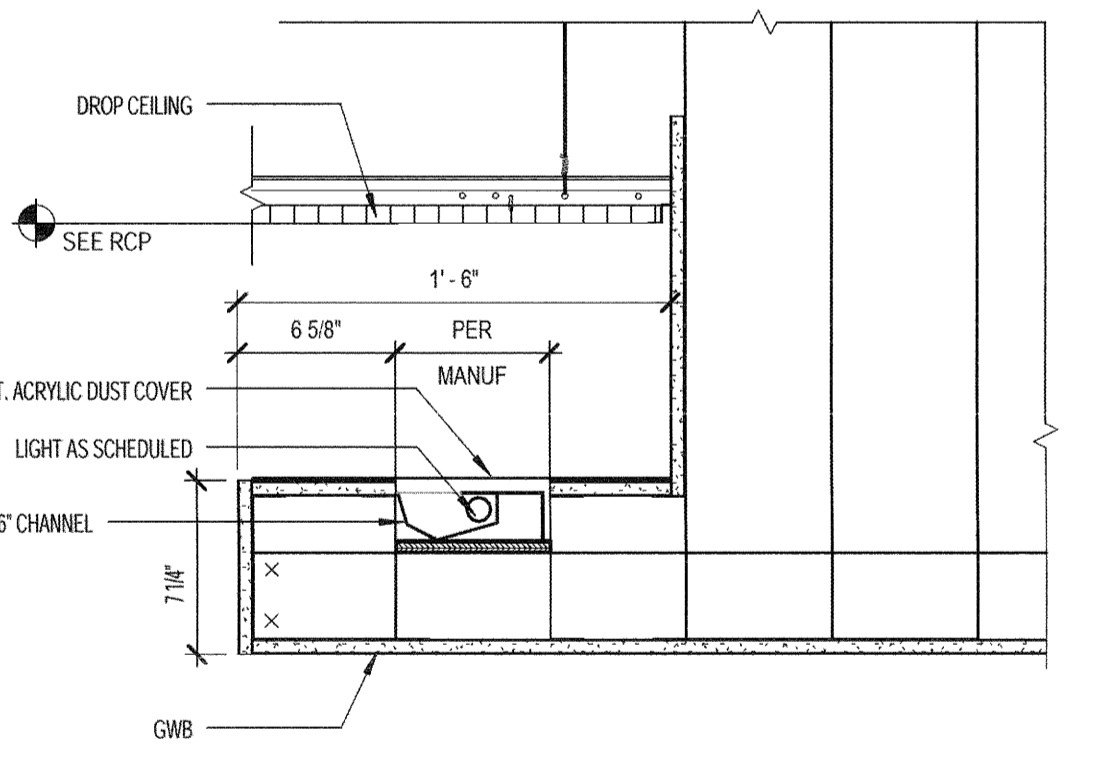
C5 CEILING DETAIL @ PROJECTION WALL
1 1/2" = 1'-0"



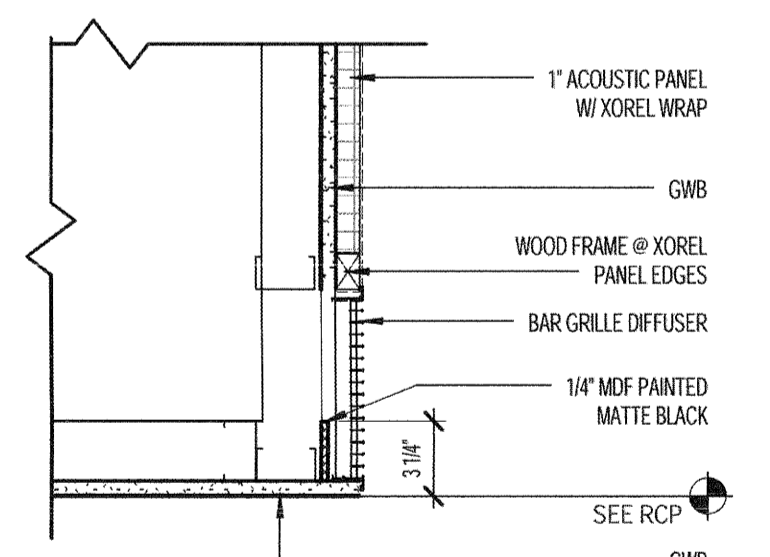
B1 SECTION @ FAMILY WAITING / RECEPTION
3/8" = 1'-0"



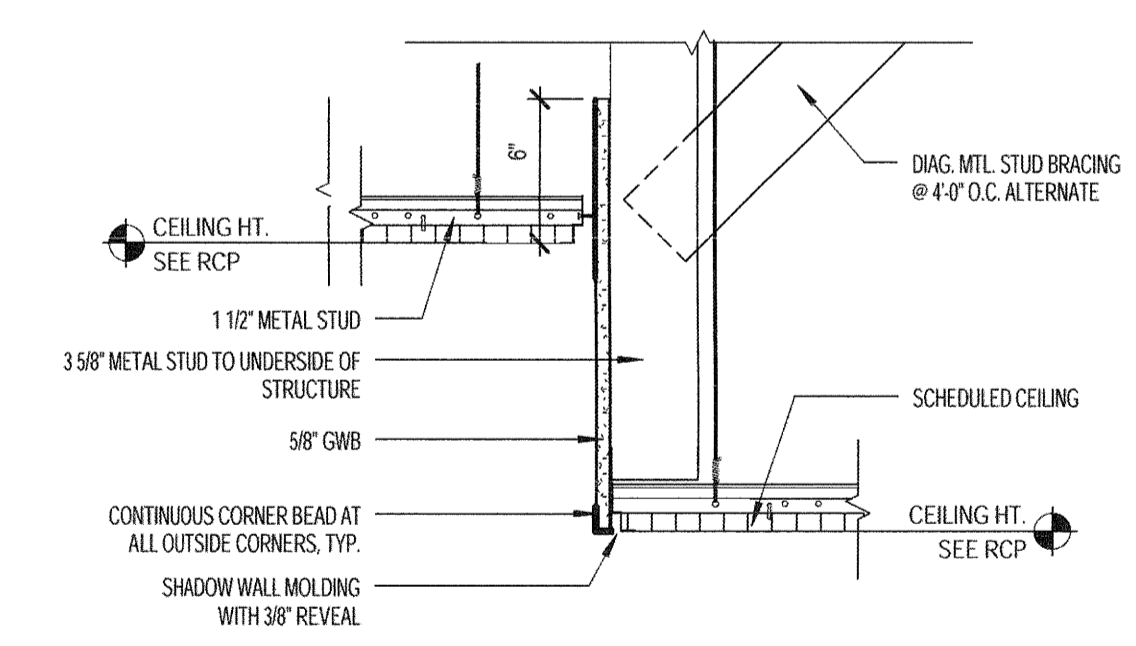
B2 DTL 1 @ FAMILY MEETING
1 1/2" = 1'-0"



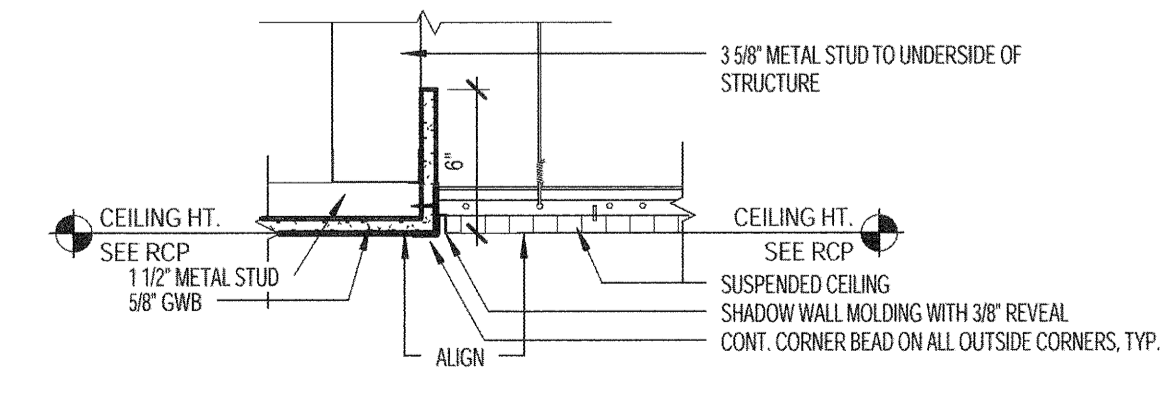
B3 DTL 2 @ FAMILY MEETING
1 1/2" = 1'-0"



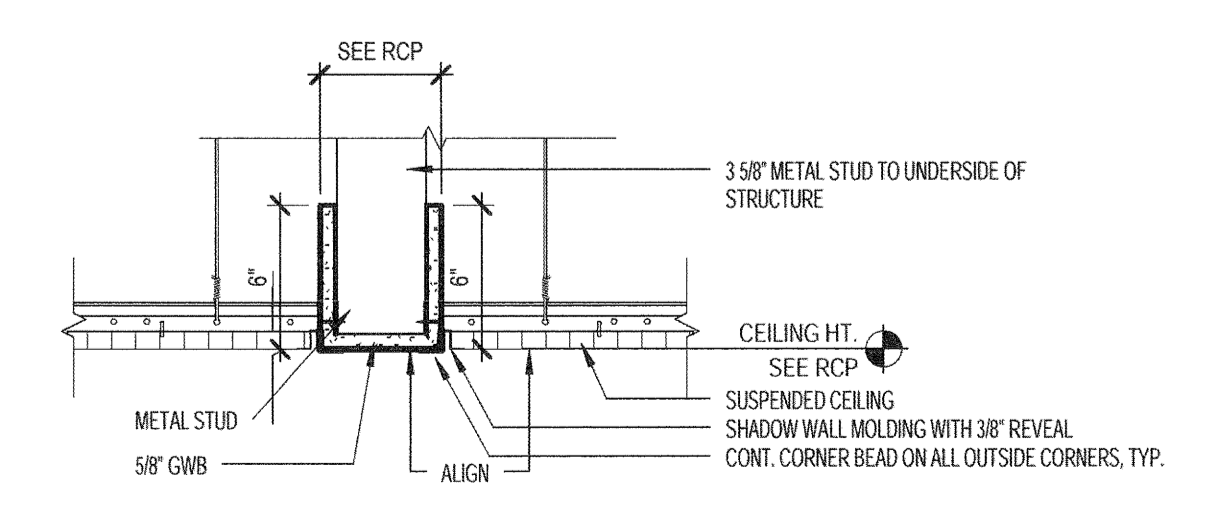
B4 DTL @ LOUNGE CEILING EDGE
1 1/2" = 1'-0"



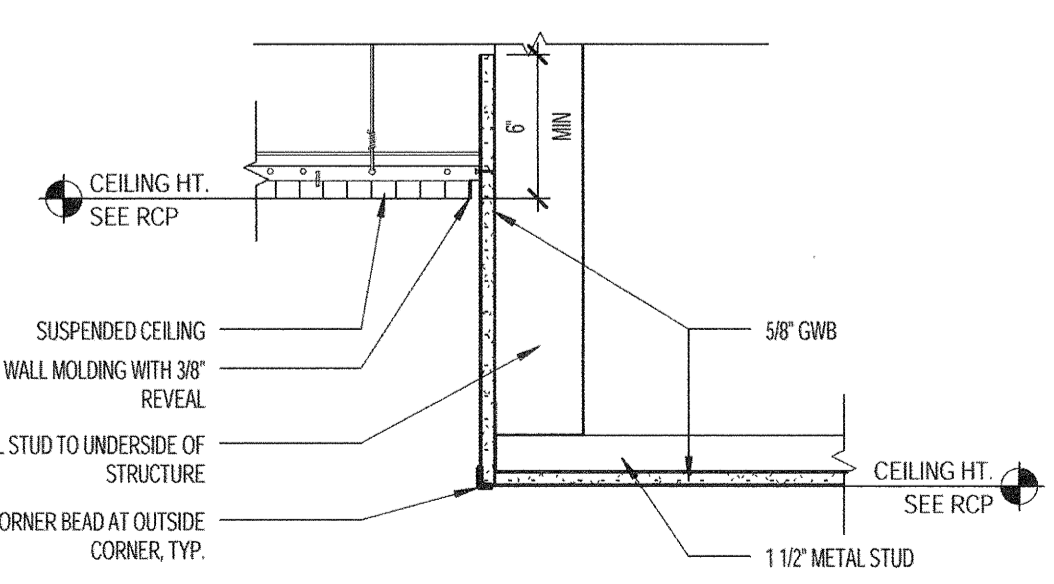
B5 CEILING DETAIL @ ACT/ACT SOFFIT
1 1/2" = 1'-0"



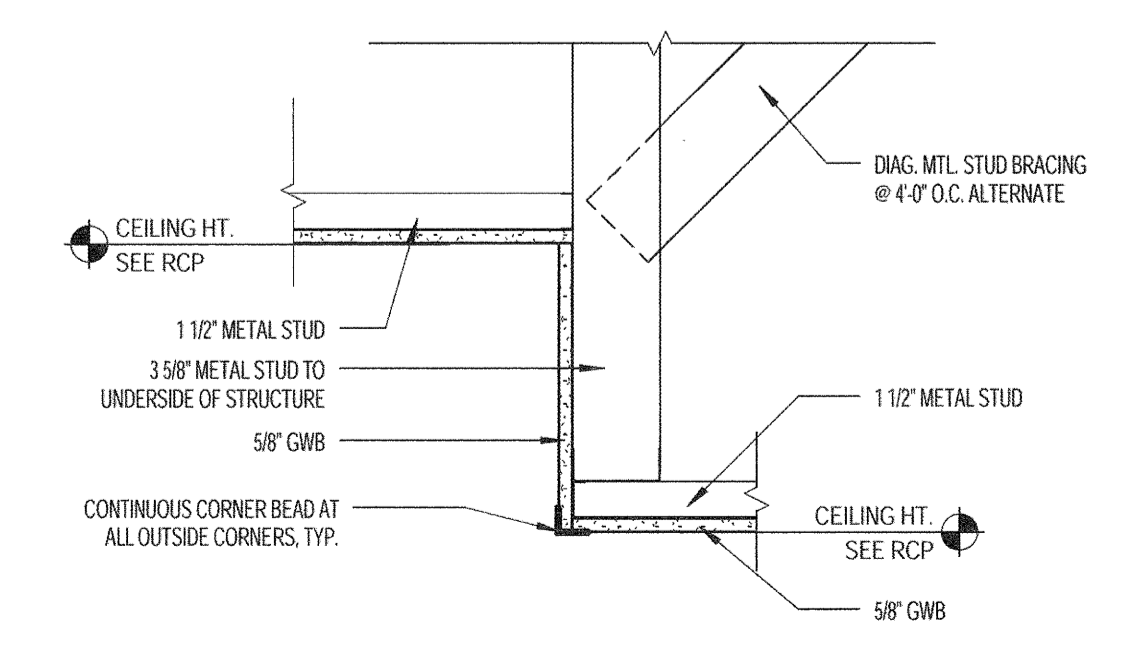
A1 CEILING DETAIL @ GWB/ACT COPLANAR
1 1/2" = 1'-0"



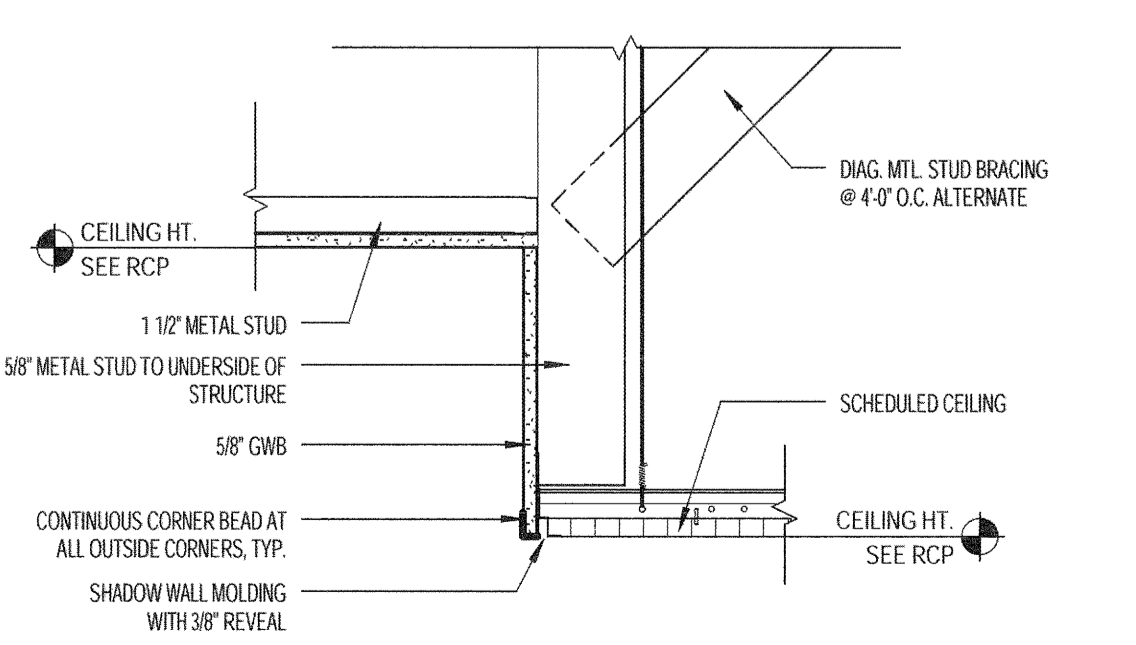
A2 TYPICAL COPLANAR BULKHEAD DETAIL
1 1/2" = 1'-0"



A3 CEILING DETAIL @ GWB/ACT SOFFIT
1 1/2" = 1'-0"



A4 CEILING DETAIL @ GWB/GWB SOFFIT
1 1/2" = 1'-0"



A5 CEILING DETAIL @ ACT/GWB SOFFIT
1 1/2" = 1'-0"