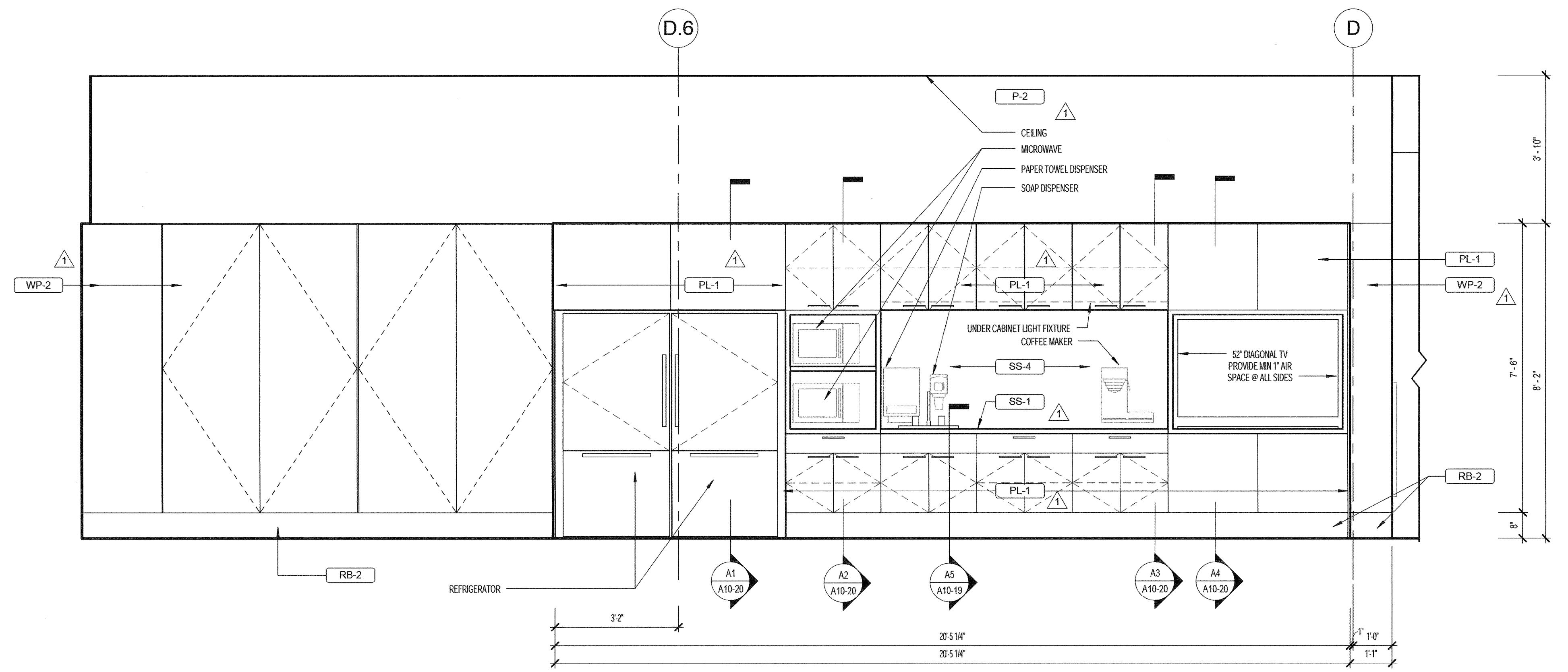


Revisions

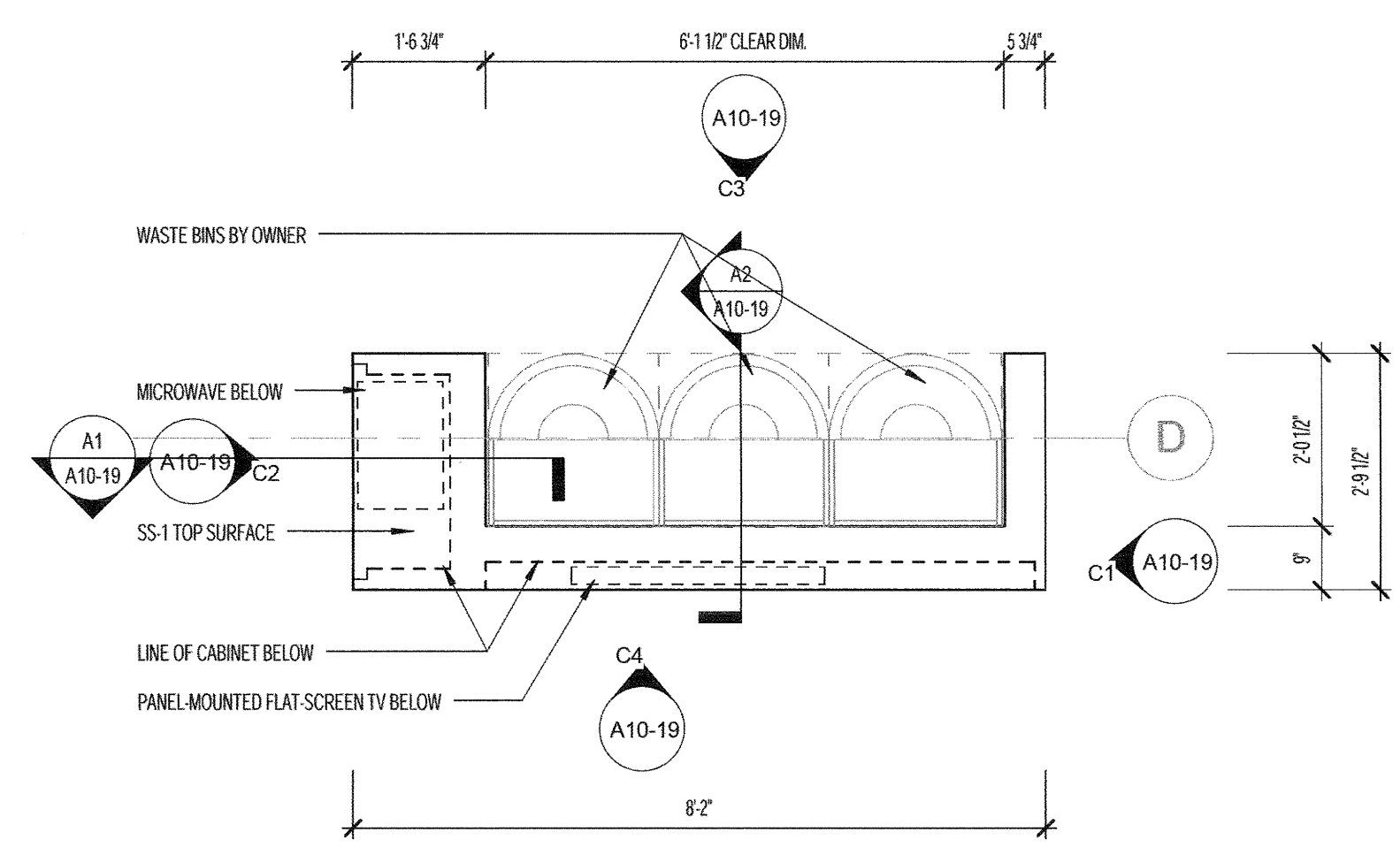
Issued for Permit	02/07/2014
Addendum #3	01/17/2014
NO	ISSUE DATE
Sheet Information	
Date	SEPTEMBER 10, 2013
Job #	C140135461 (MMC) 152168.000
Drawn	M PIERCE
Checked	Checker
Approved	Approver

Title
**STAFF LOUNGE
MILLWORK
DETAILS**

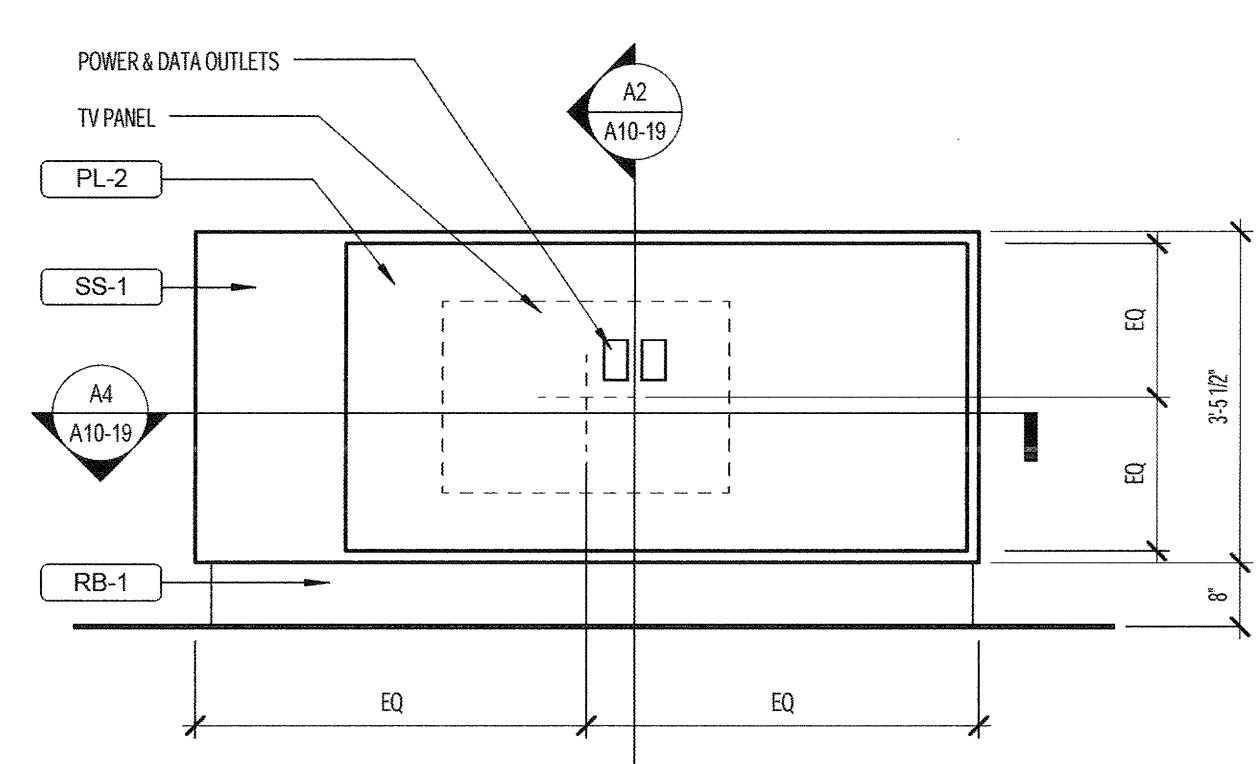
Sheet
A10-19



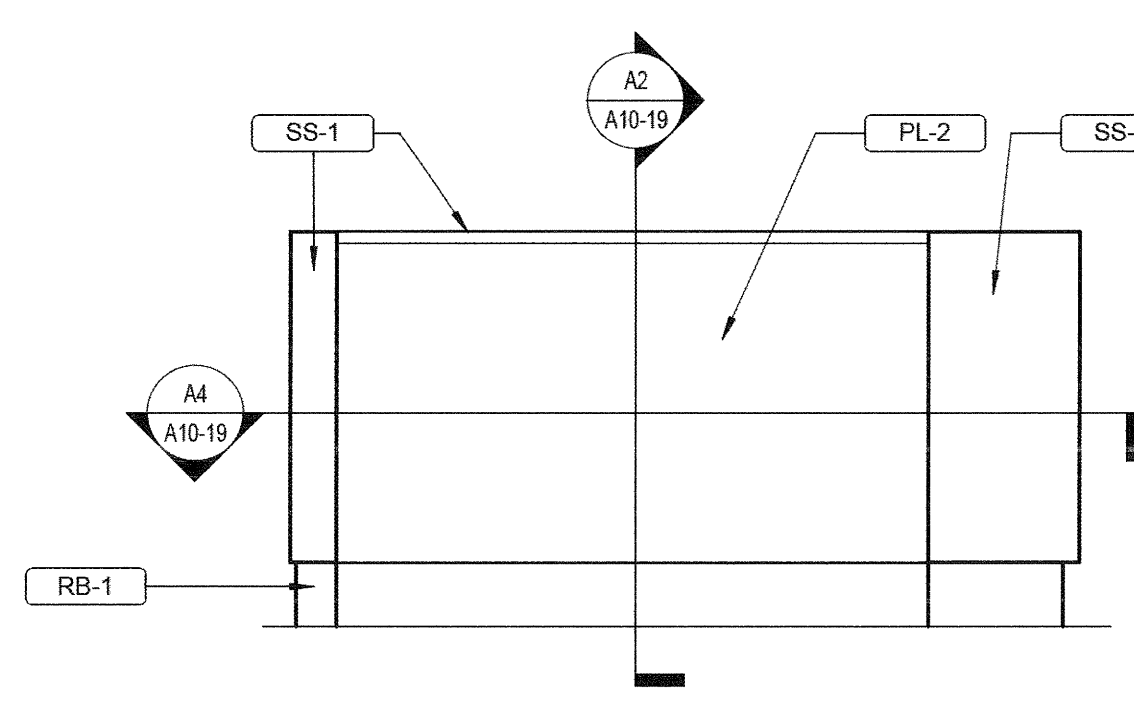
D3 OR STAFF LOUNGE 20131 - WEST
1/2" = 1'-0"



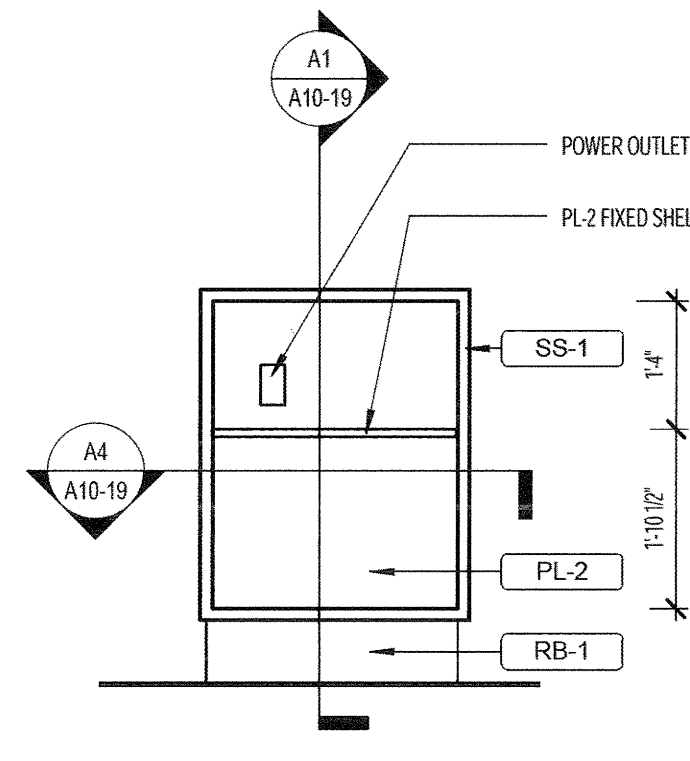
D4 STAFF LOUNGE ISLAND DETAIL PLAN
1/2" = 1'-0"



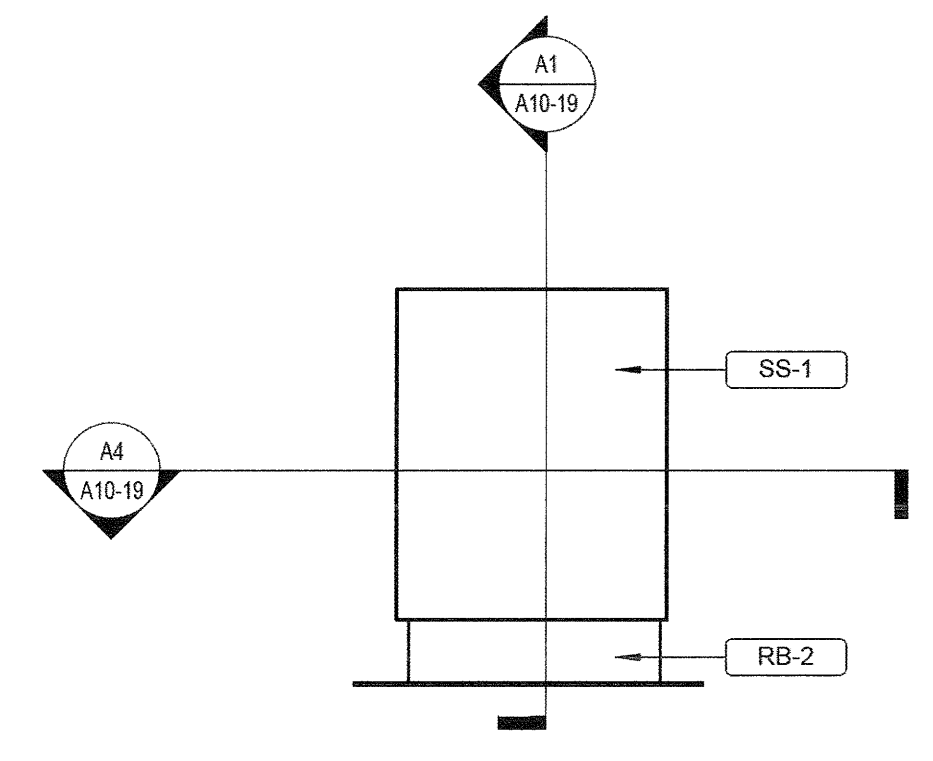
C4 STAFF LOUNGE ISLAND FRONT
1/2" = 1'-0"



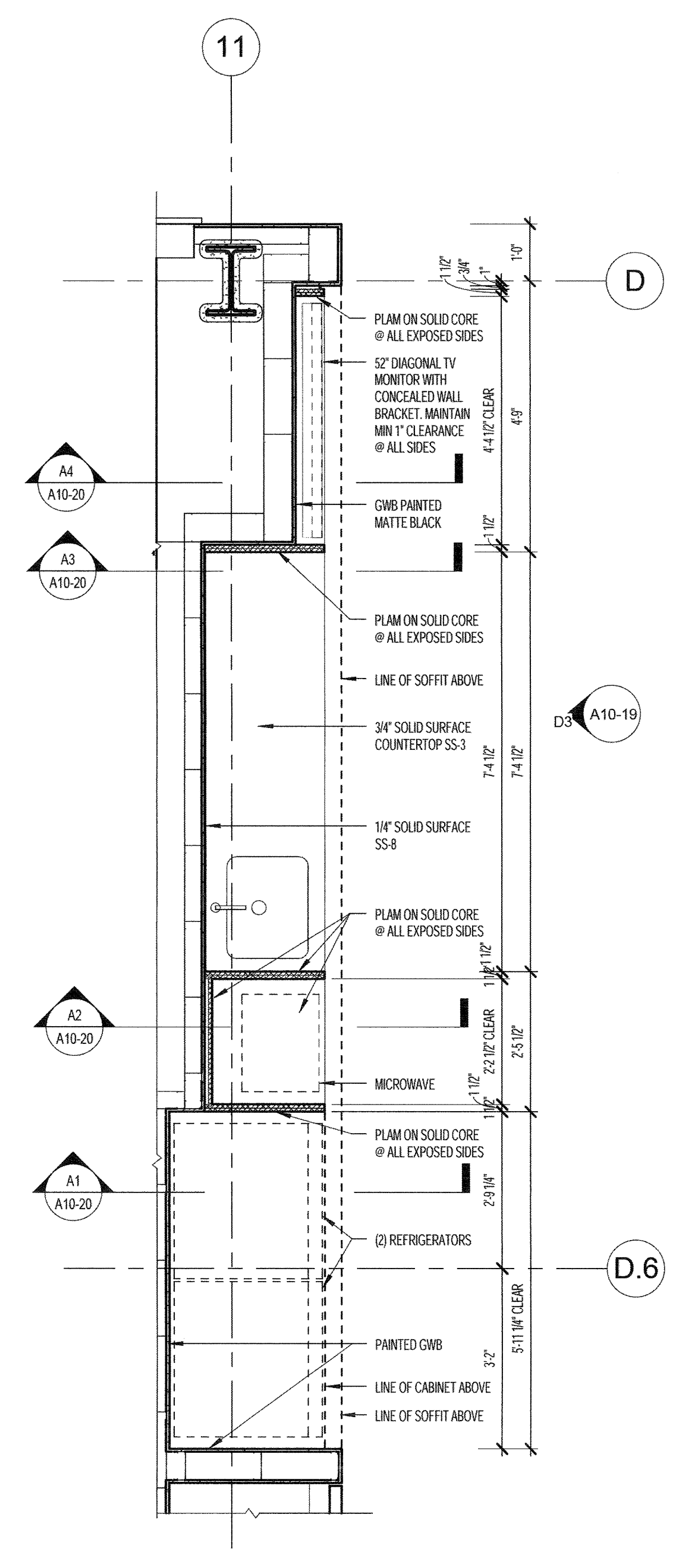
C3 STAFF LOUNGE ISLAND - NORTH
1/2" = 1'-0"



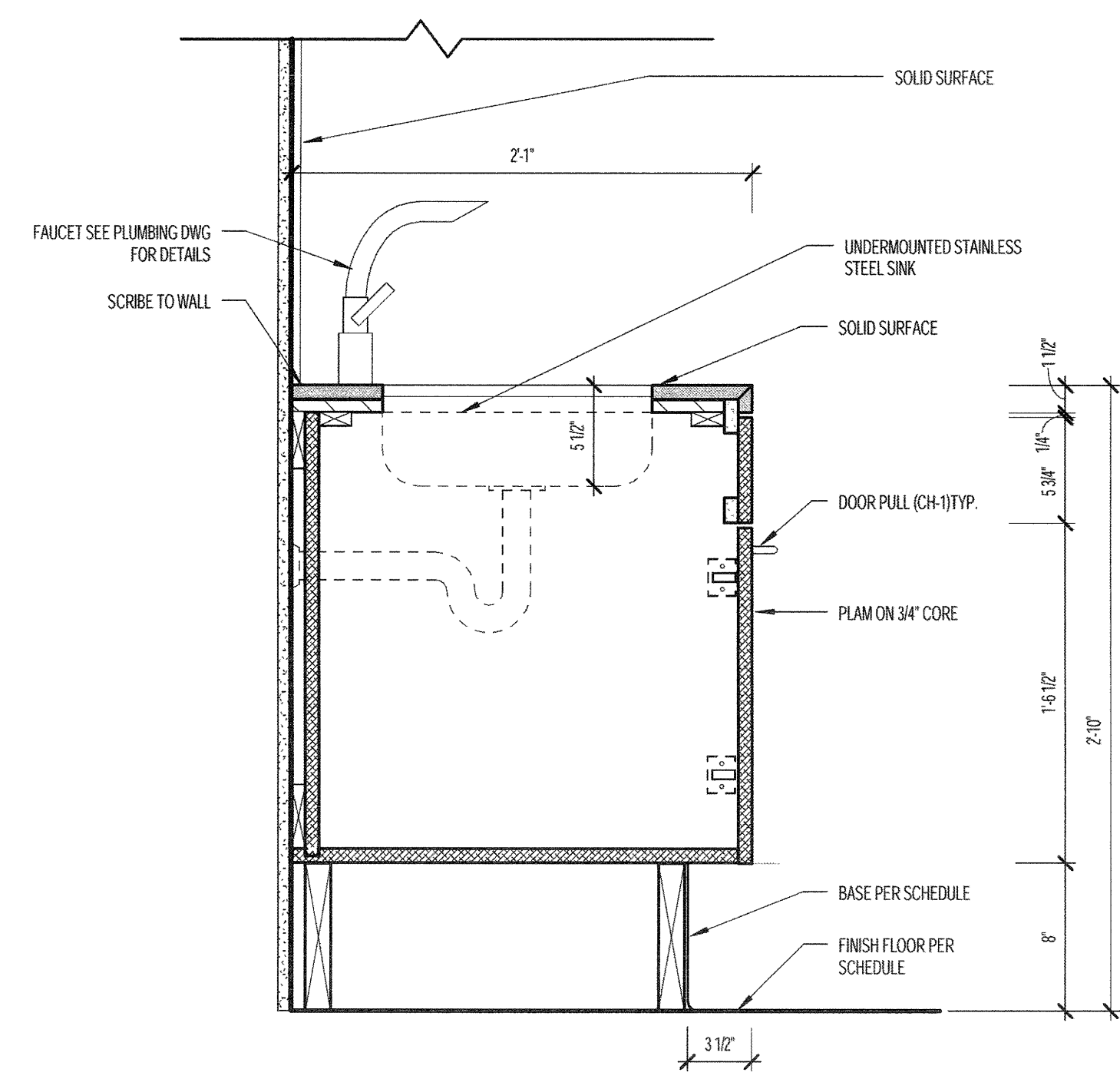
C2 STAFF LOUNGE ISLAND WEST
1/2" = 1'-0"



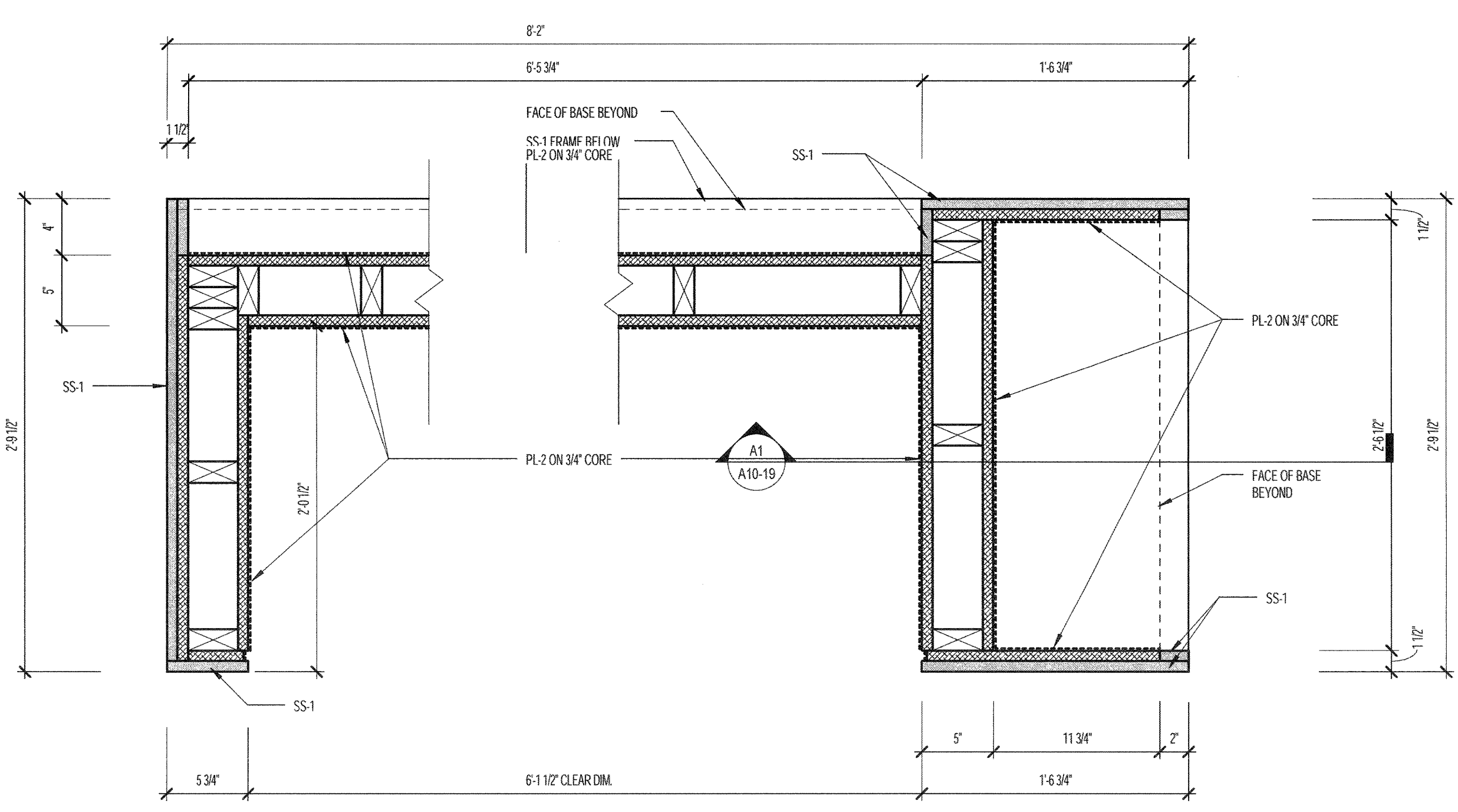
C1 STAFF LOUNGE ISLAND EAST
1/2" = 1'-0"



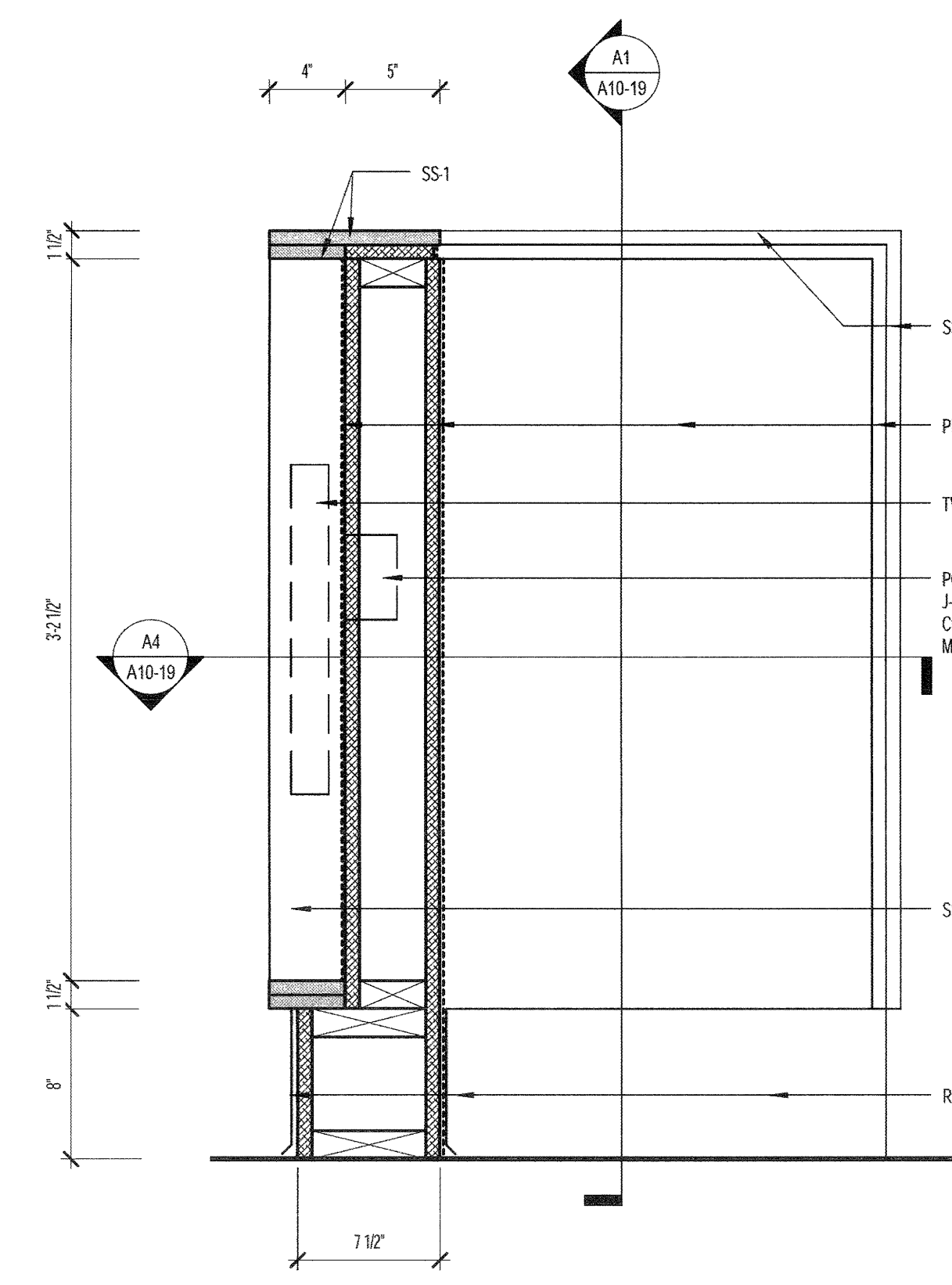
**C5 STAFF LOUNGE KITCHEN
DETAIL PLAN**
1/2" = 1'-0"



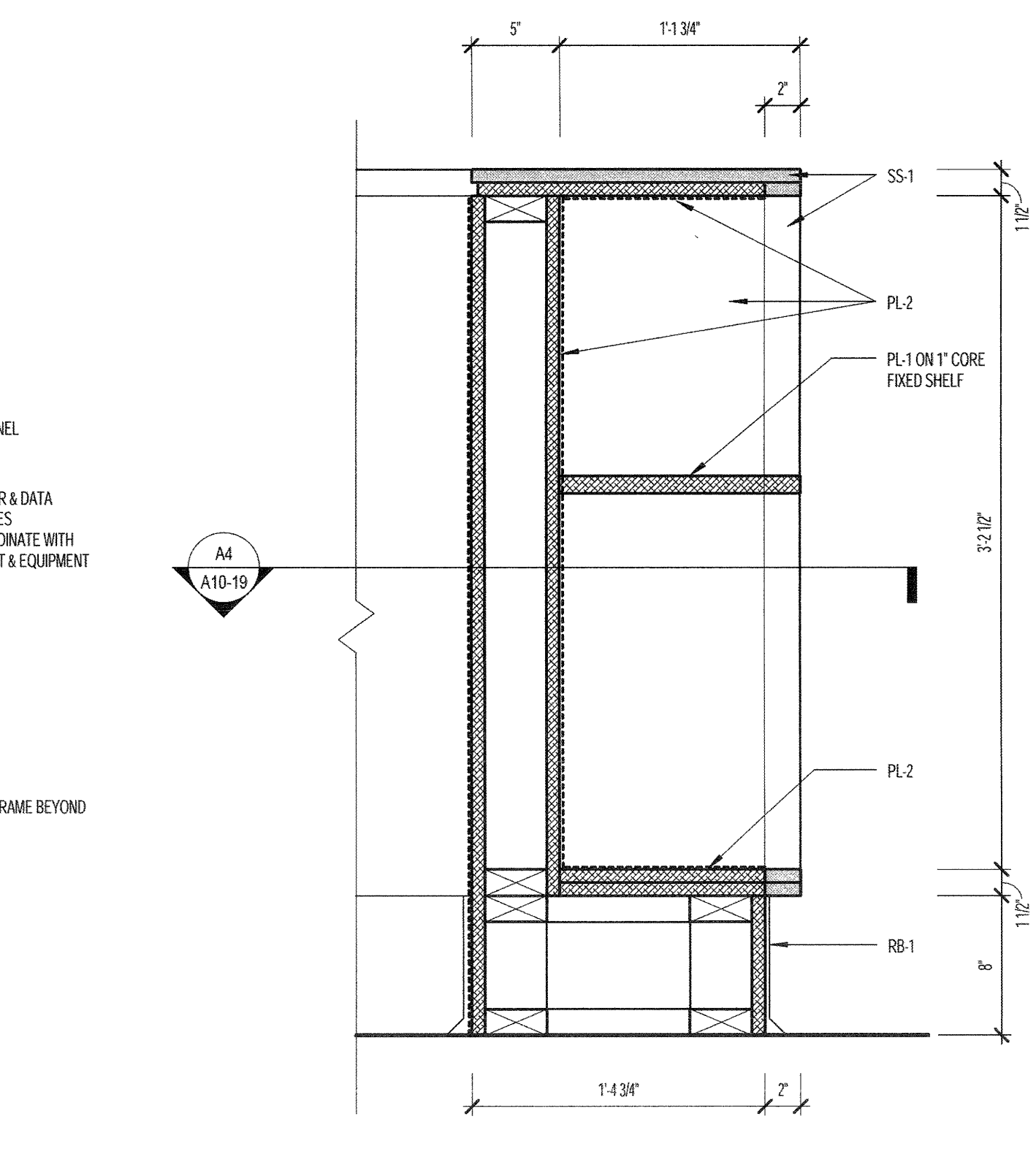
A5 SECTION AT SINK
1 1/2" = 1'-0"



A4 STAFF LOUNGE ISLAND PLAN DETAIL 1
1 1/2" = 1'-0"



A2 STAFF LOUNGE ISLAND SECTION 1
1 1/2" = 1'-0"



A1 STAFF LOUNGE ISLAND SECTION 2
1 1/2" = 1'-0"