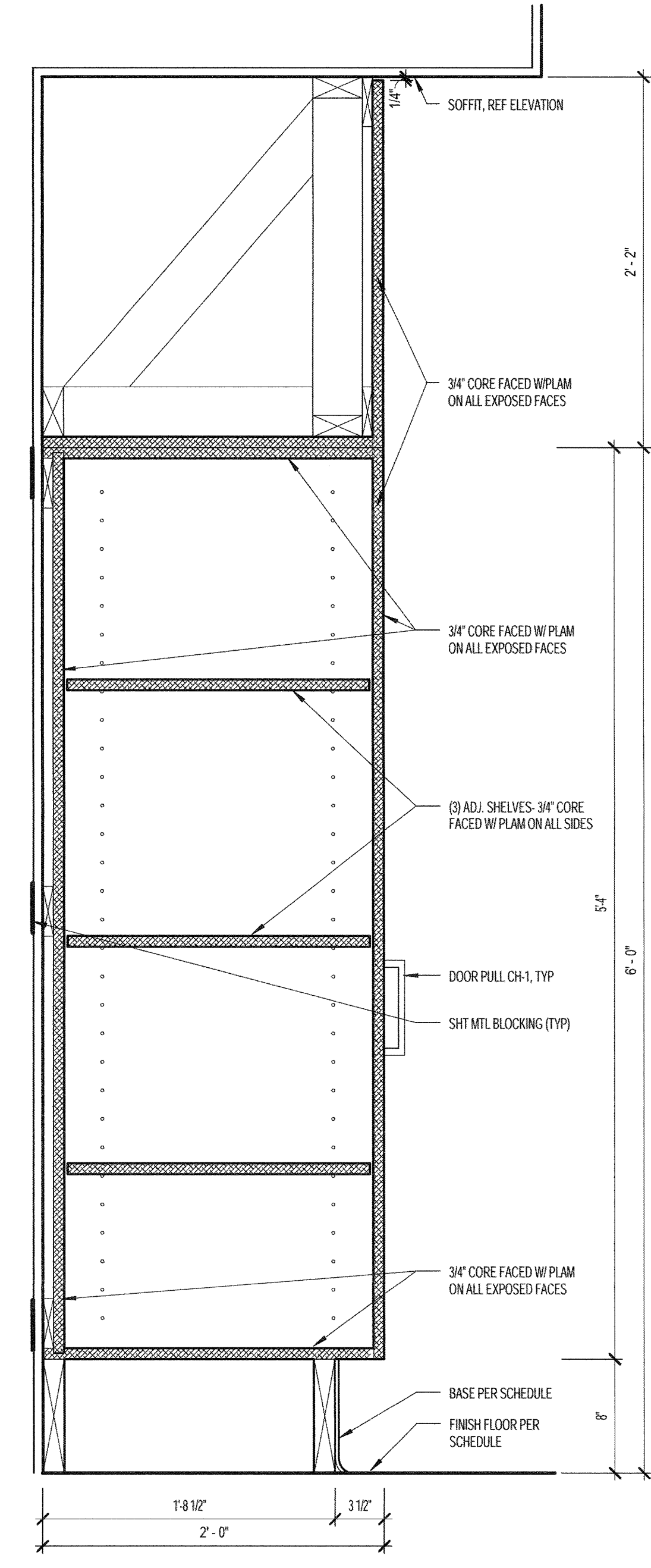
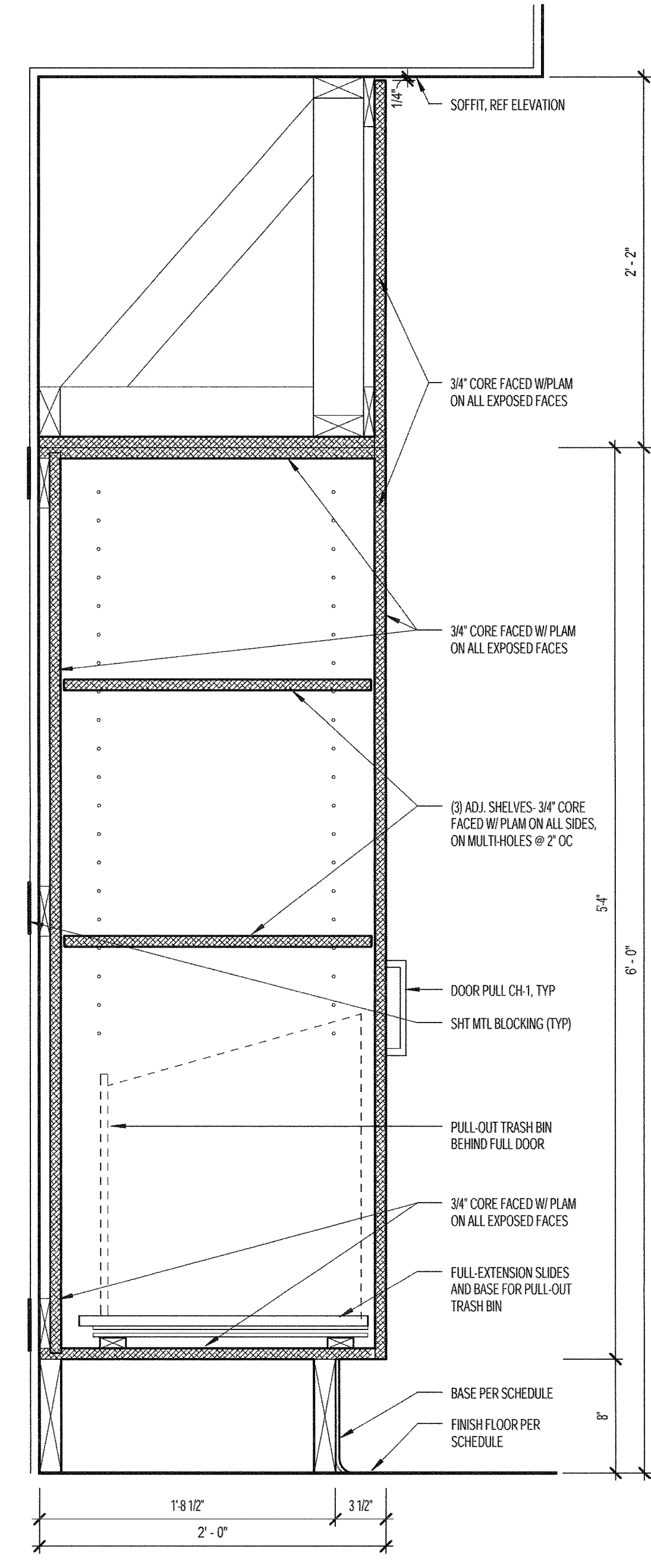


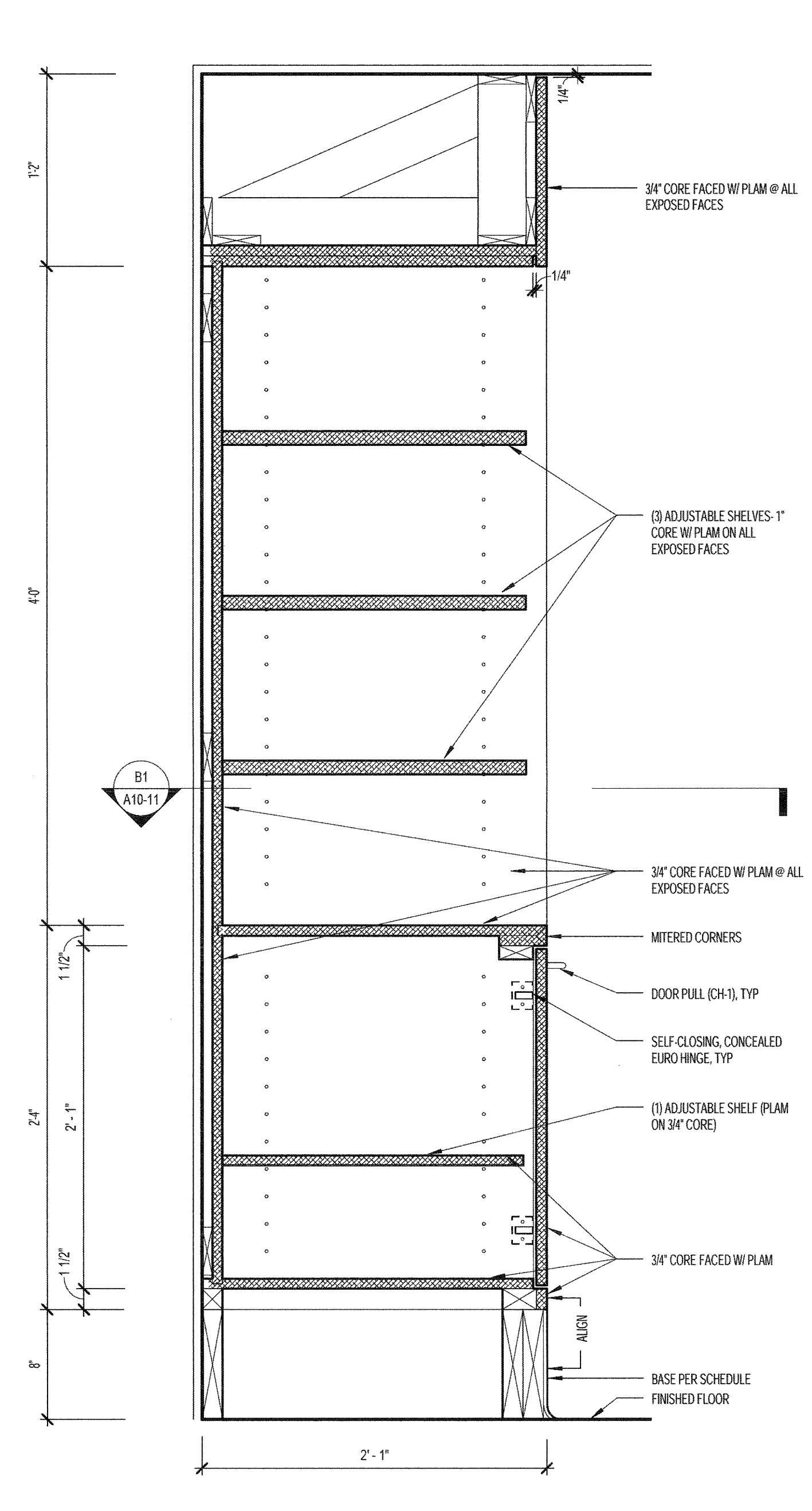
C5 PATIENT BELONGINGS LOCKERS
1 1/2" = 1'-0"



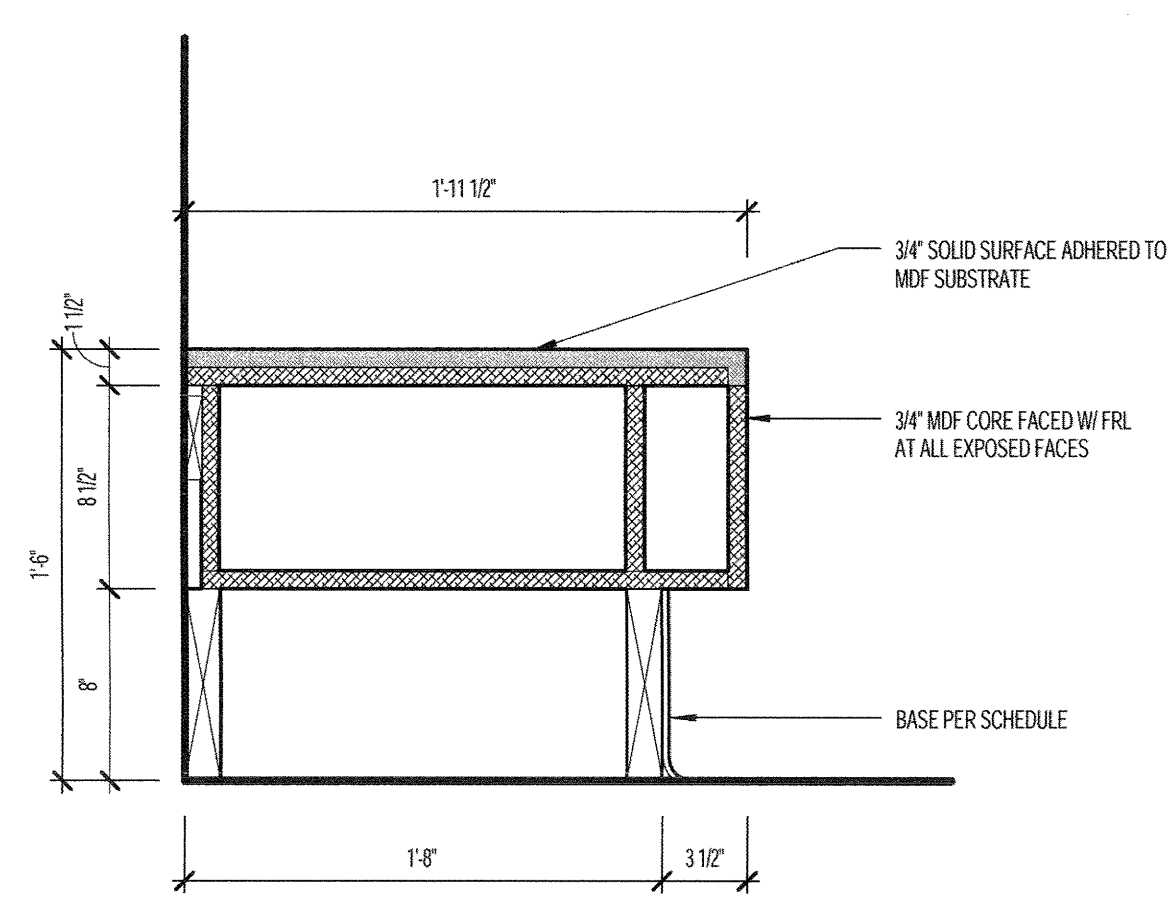
C4 CLOSET W/ ADJUSTABLE SHELVES
1 1/2" = 1'-0"



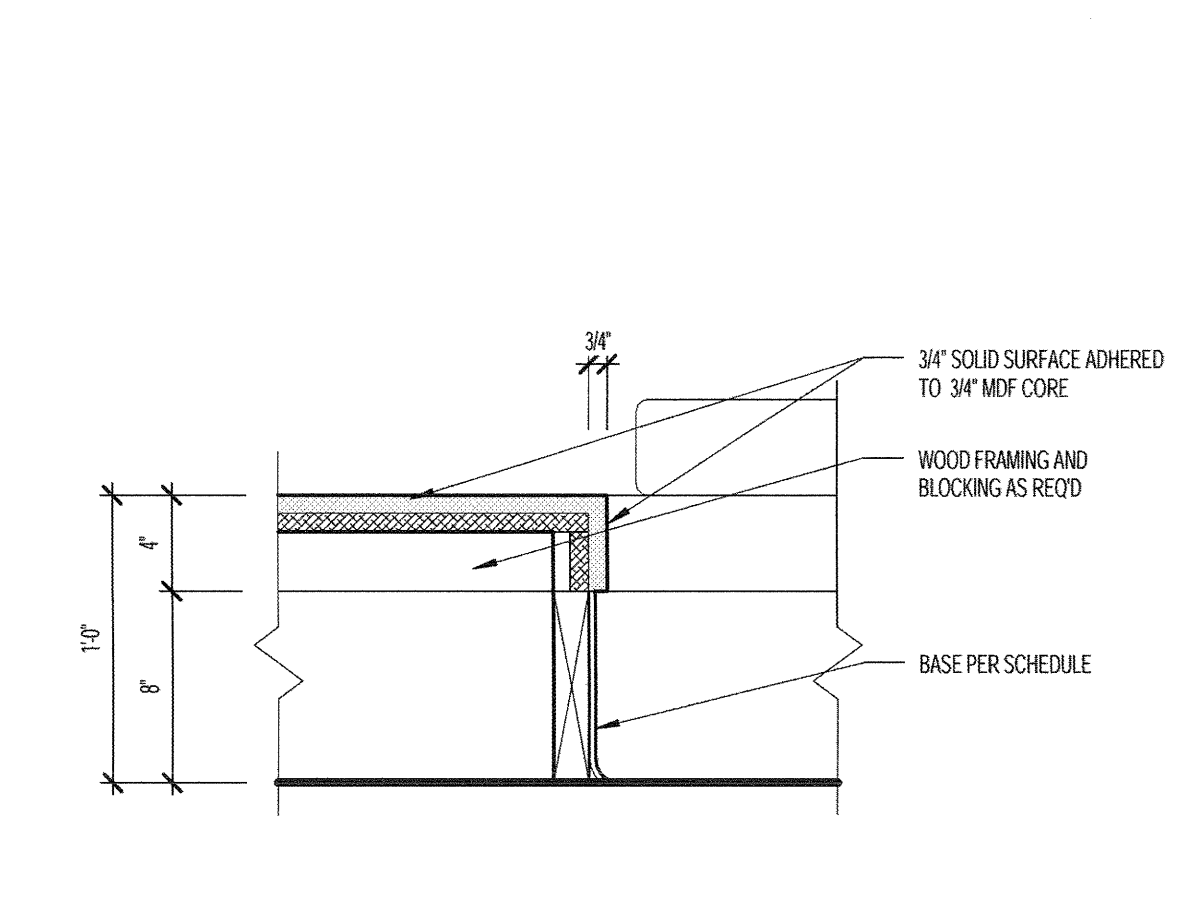
C3 CLOSET W/ ADJUSTABLE SHELVES AND WASTE BIN
1 1/2" = 1'-0"



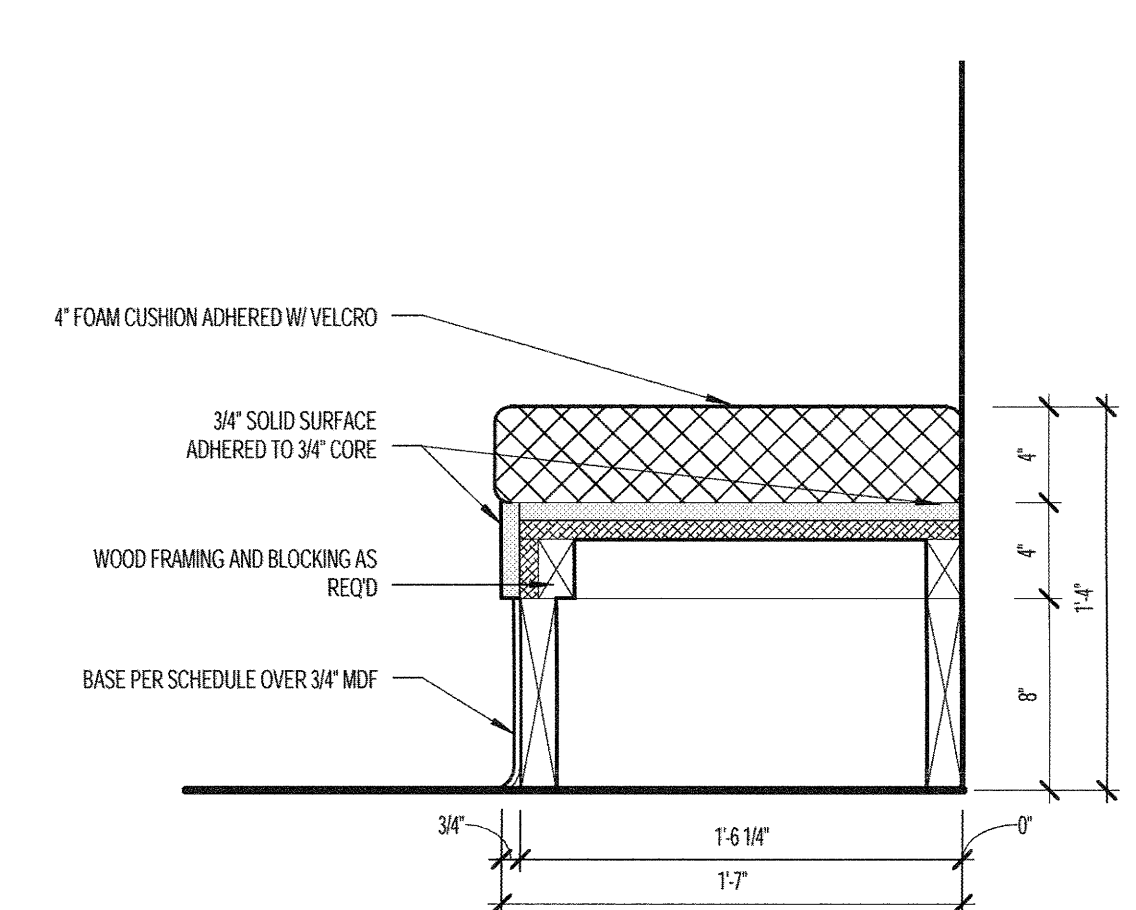
C1 SECTION DETAIL @ OR ALCOVE
1 1/2" = 1'-0"



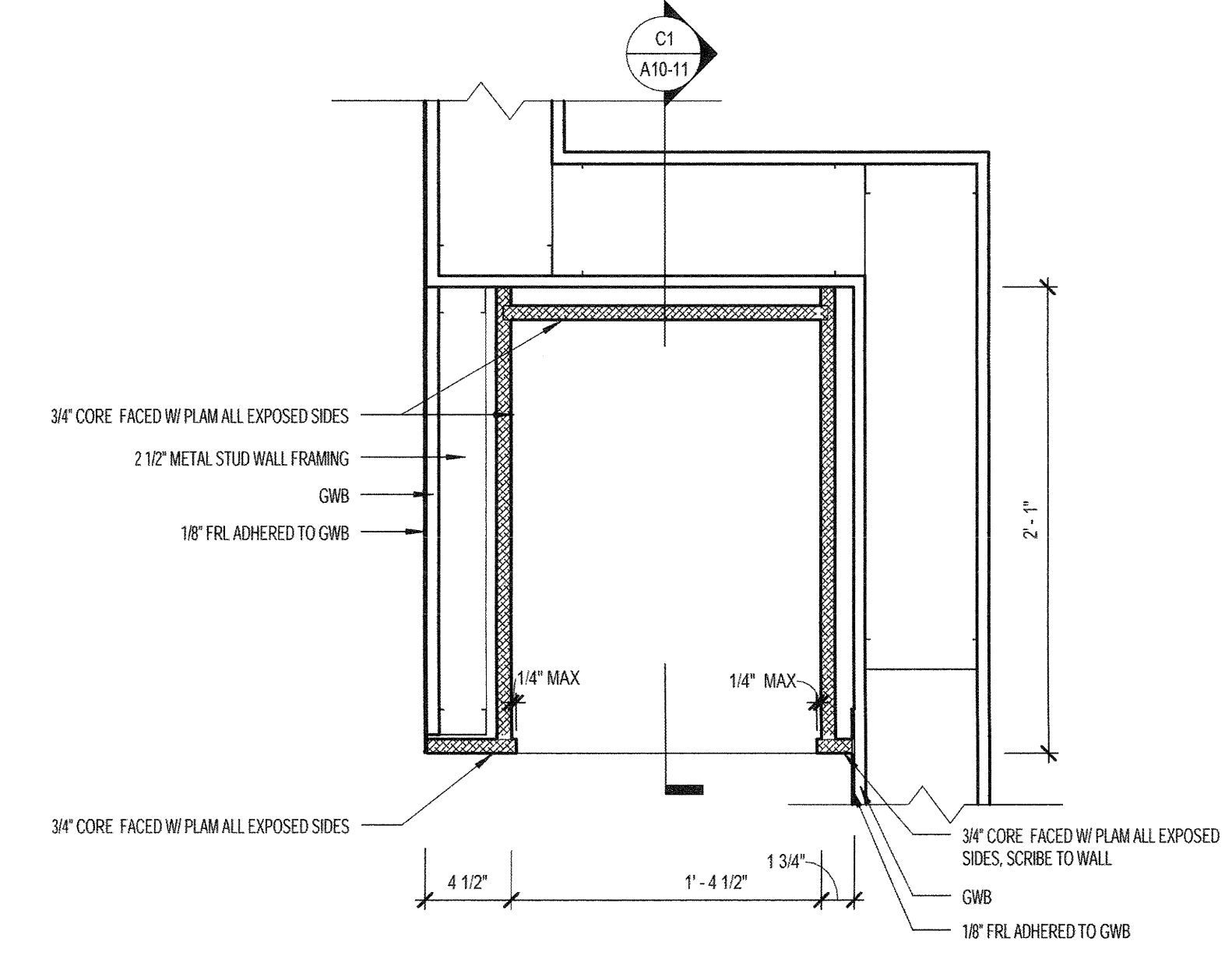
B5 BENCH DETAIL
1 1/2" = 1'-0"



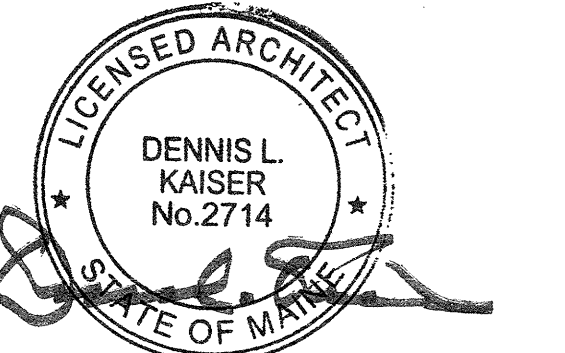
B4 BANQUETTE SEATING SECTION 1
1 1/2" = 1'-0"



B3 BANQUETTE SEATING SECTION 2
1 1/2" = 1'-0"



B1 PLAN DETAIL @ OR ALCOVE
1 1/2" = 1'-0"



Issued for Permit	02/07/2014
NO	ISSUE DATE
Sheet Information	
Date	SEPTEMBER 10, 2013
Job #	C140135461 (MMC) 152168.000
Drawn	M PIERCE
Checked	Checker
Approved	Approver
Title	