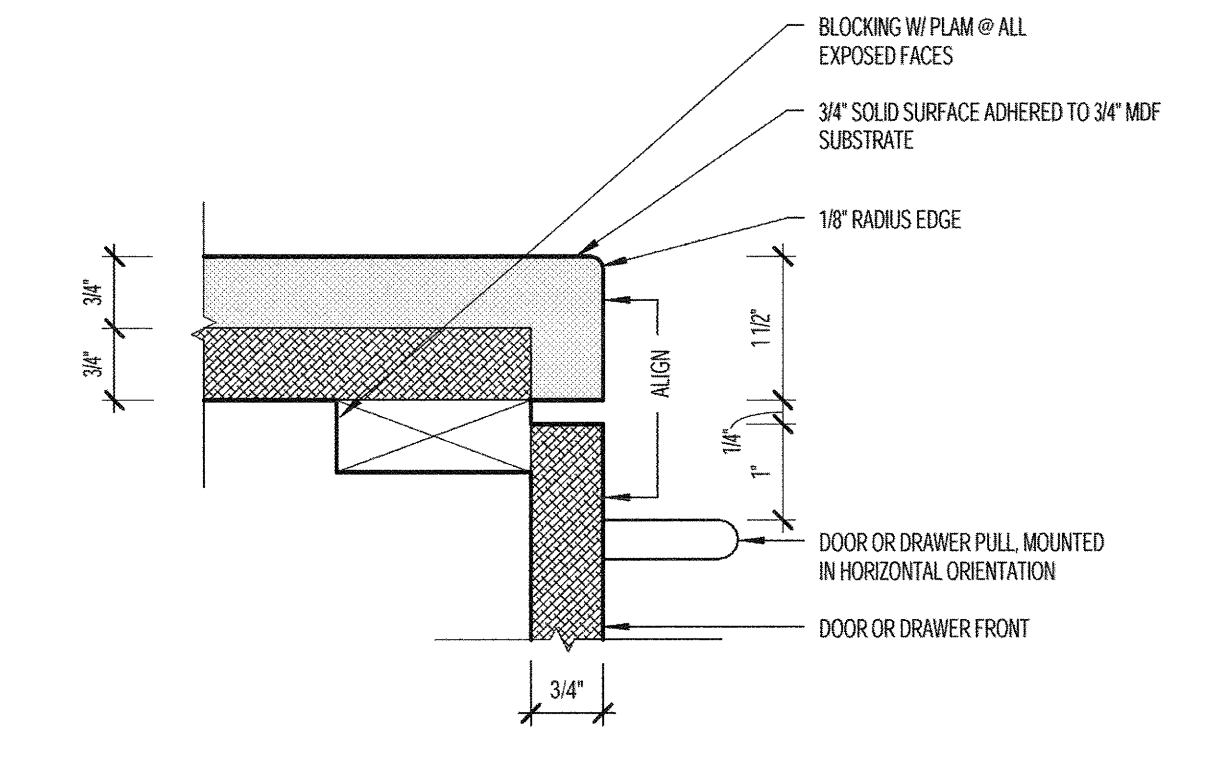
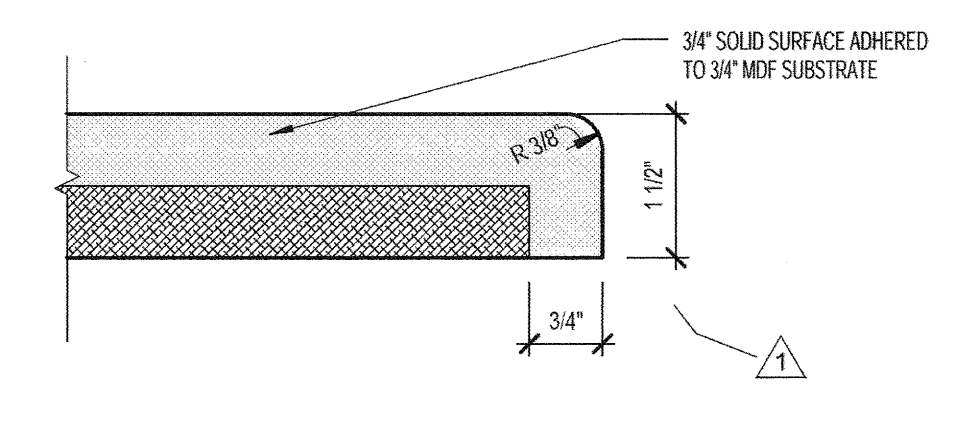


Revisions

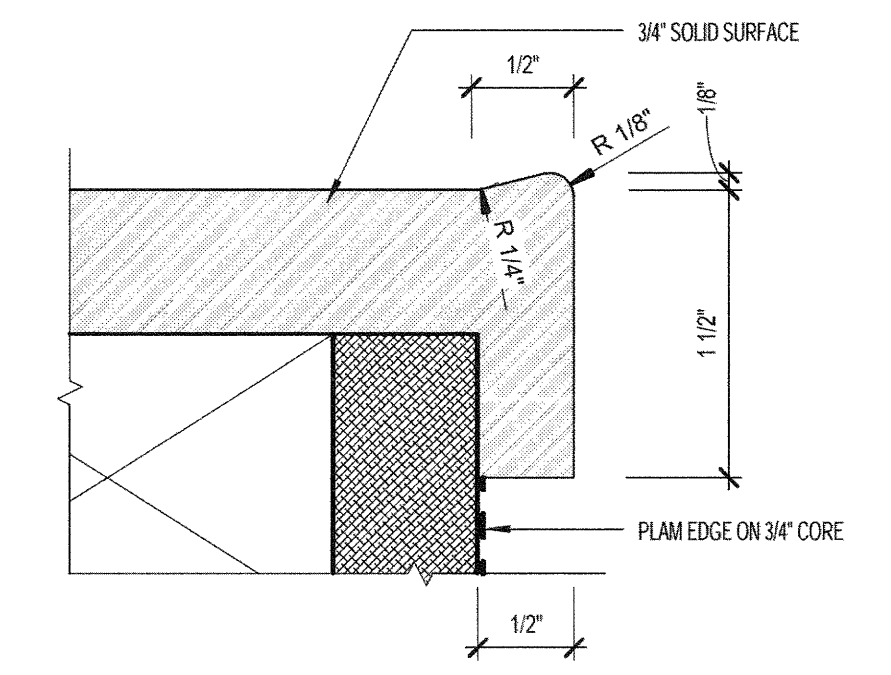
Issued for Permit	02/07/2014
1 Addendum #3	01/17/2014
NO	ISSUE DATE
Sheet Information	
Date	SEPTEMBER 10, 2013
Job #	C140135461 (MMC) 152168.000
Drawn	M PIERCE
Checked	Checker
Approved	Approver
Title	
MILLWORK SECTIONS AND DETAILS	
Sheet	
A10-10	



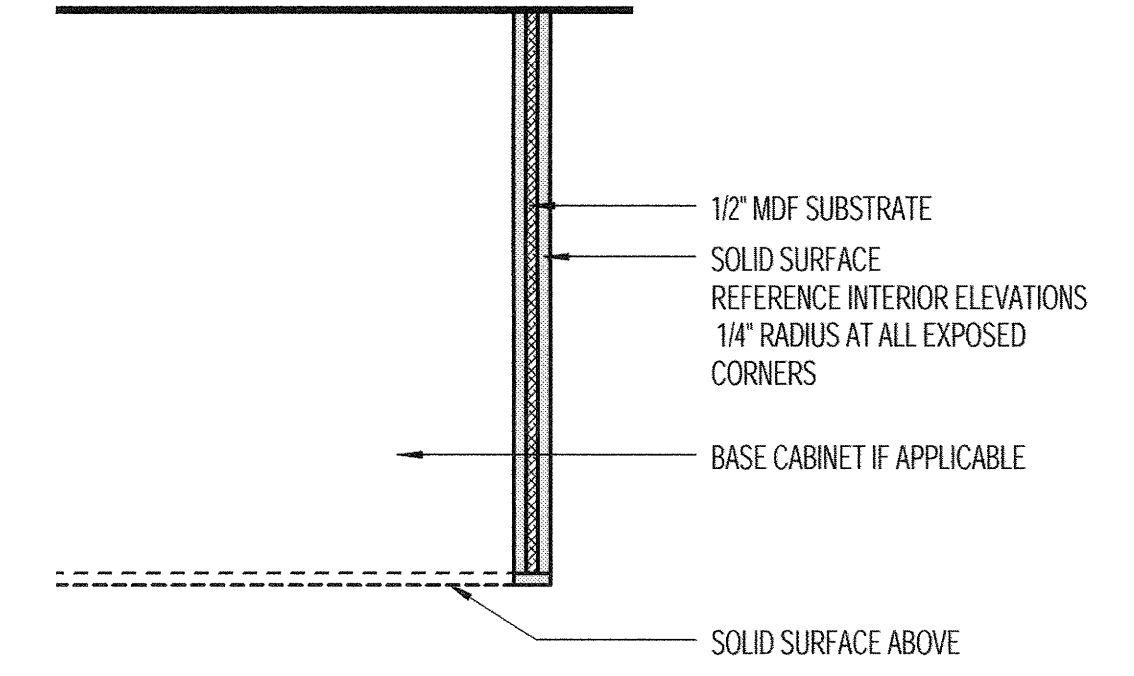
D1 COUNTER EDGE DETAIL
6" = 1'-0"



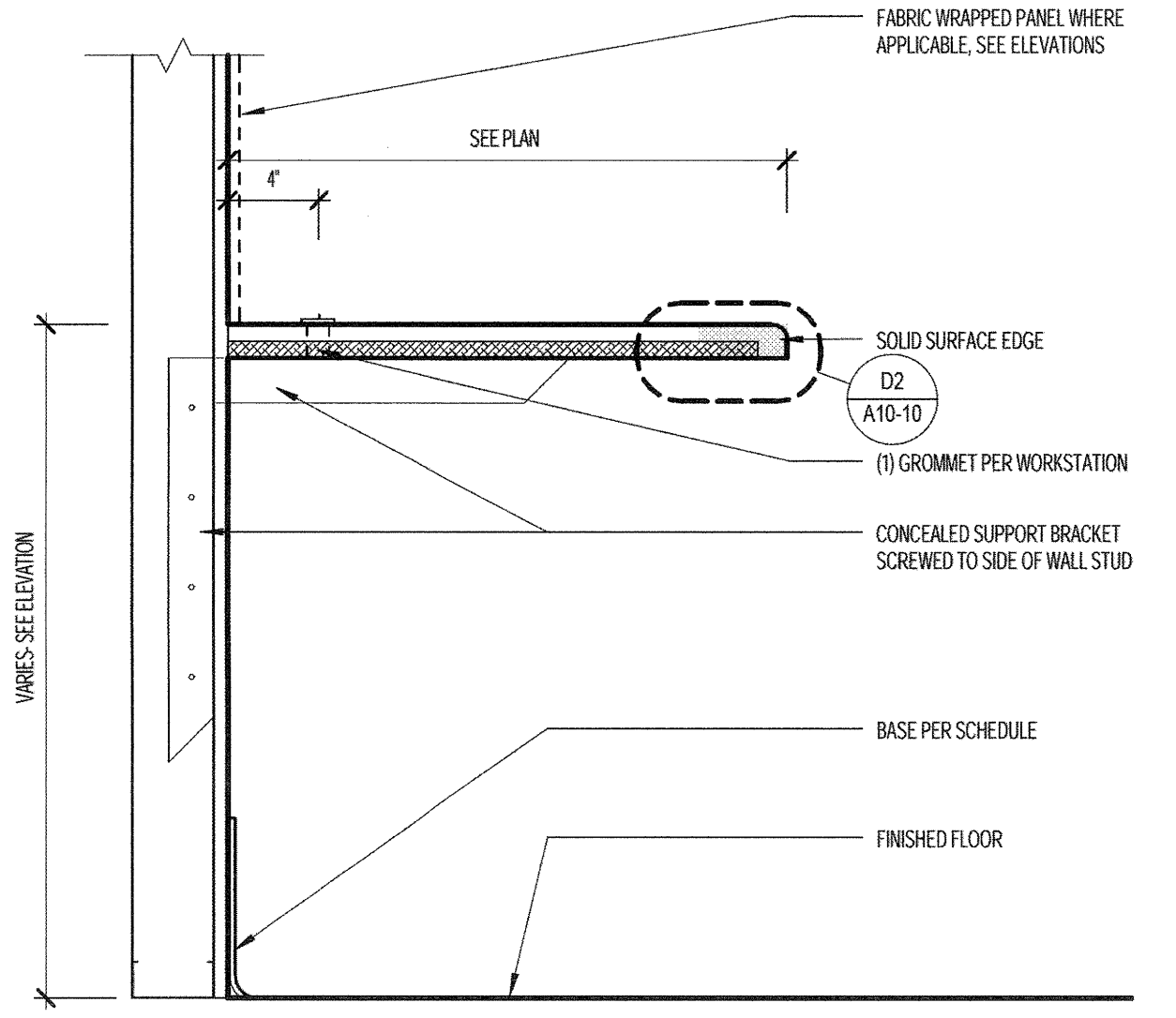
D2 WORK SURFACE EDGE DETAIL
6" = 1'-0"



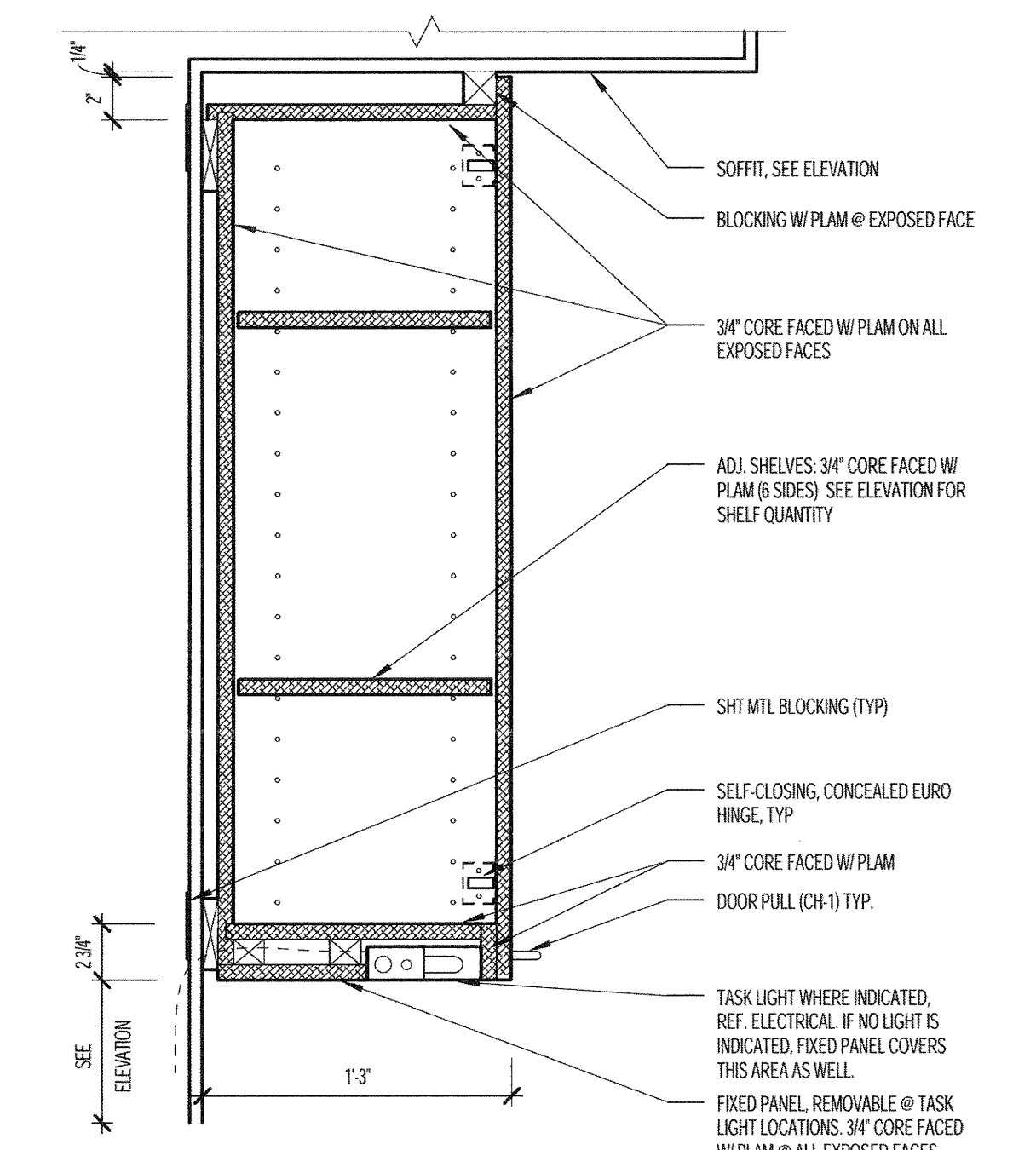
D3 SOLID SURFACE MARINE EDGE
12" = 1'-0"



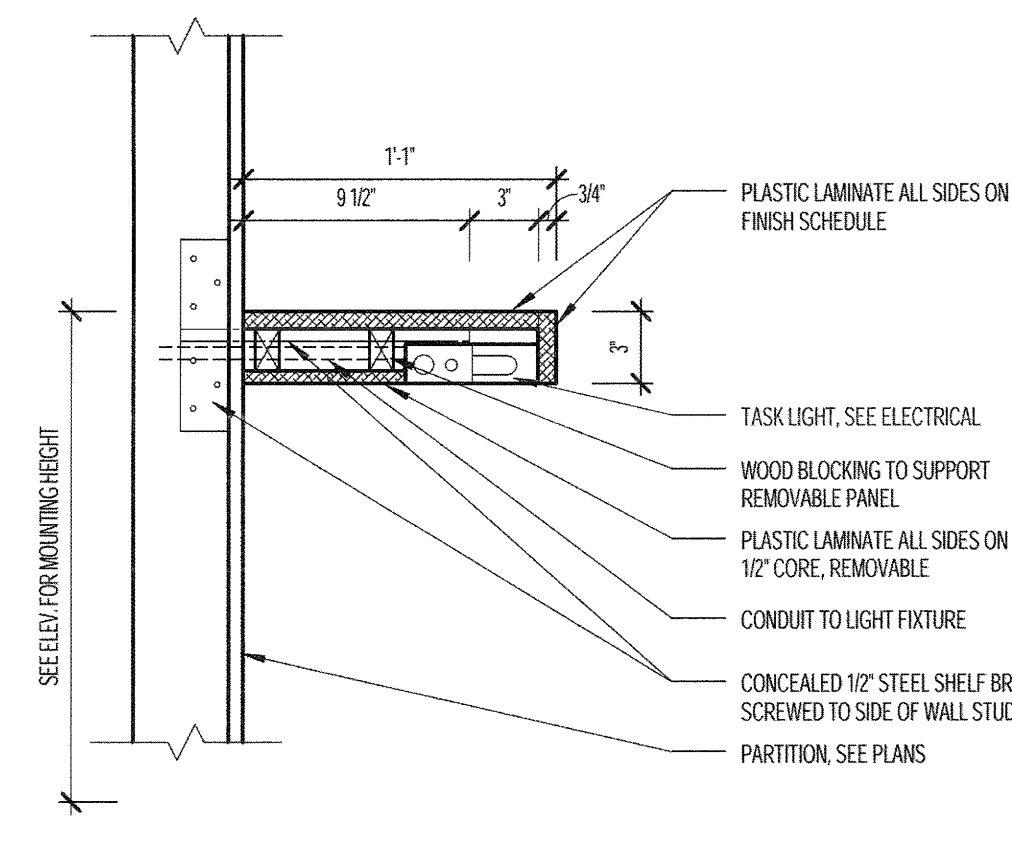
D4 PLAN DETAIL @ TYPICAL SOLID SURFACE
RETURN
1 1/2" = 1'-0"



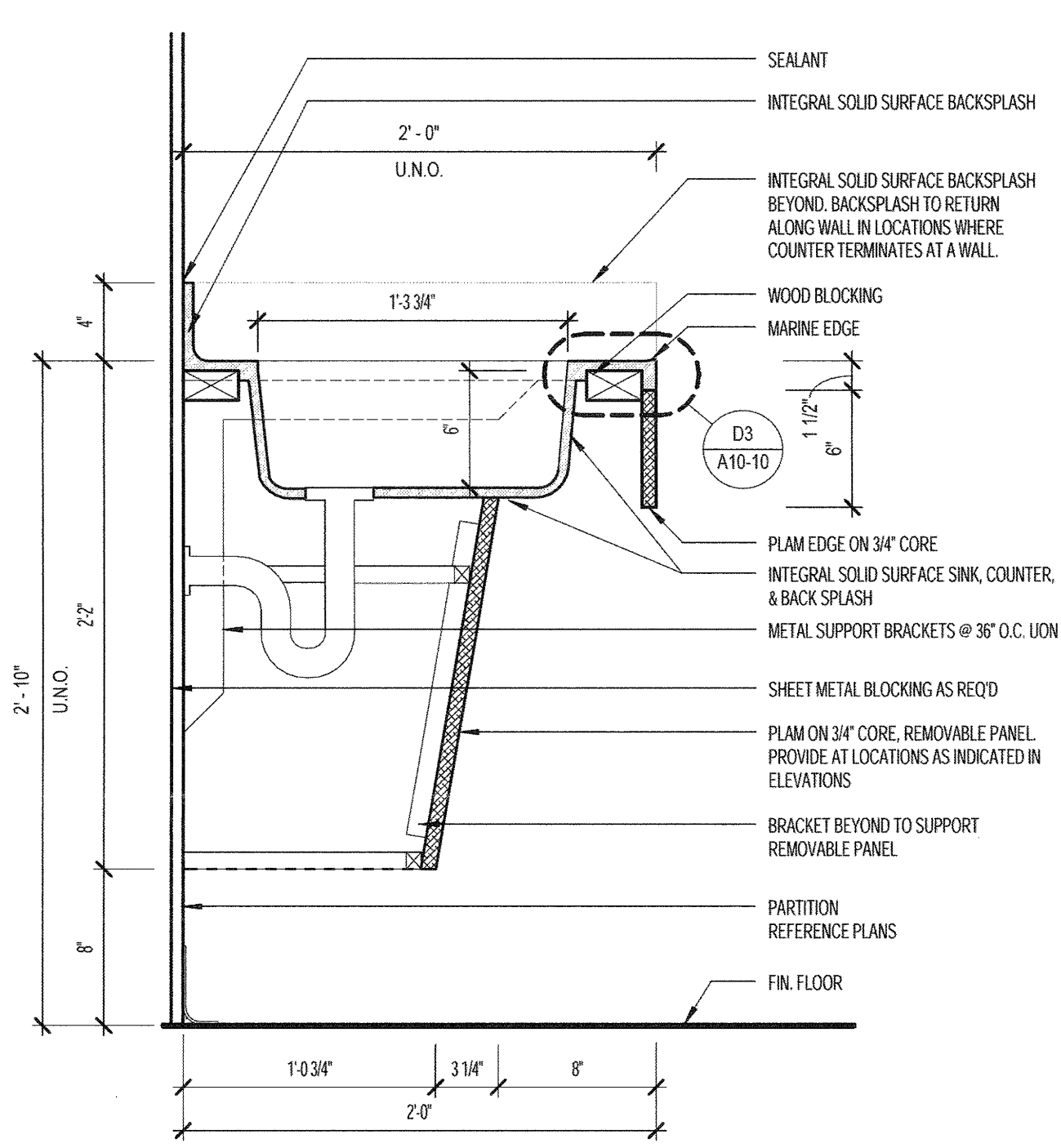
D5 COUNTER W/O BASE CABINET - PLAN
1 1/2" = 1'-0"



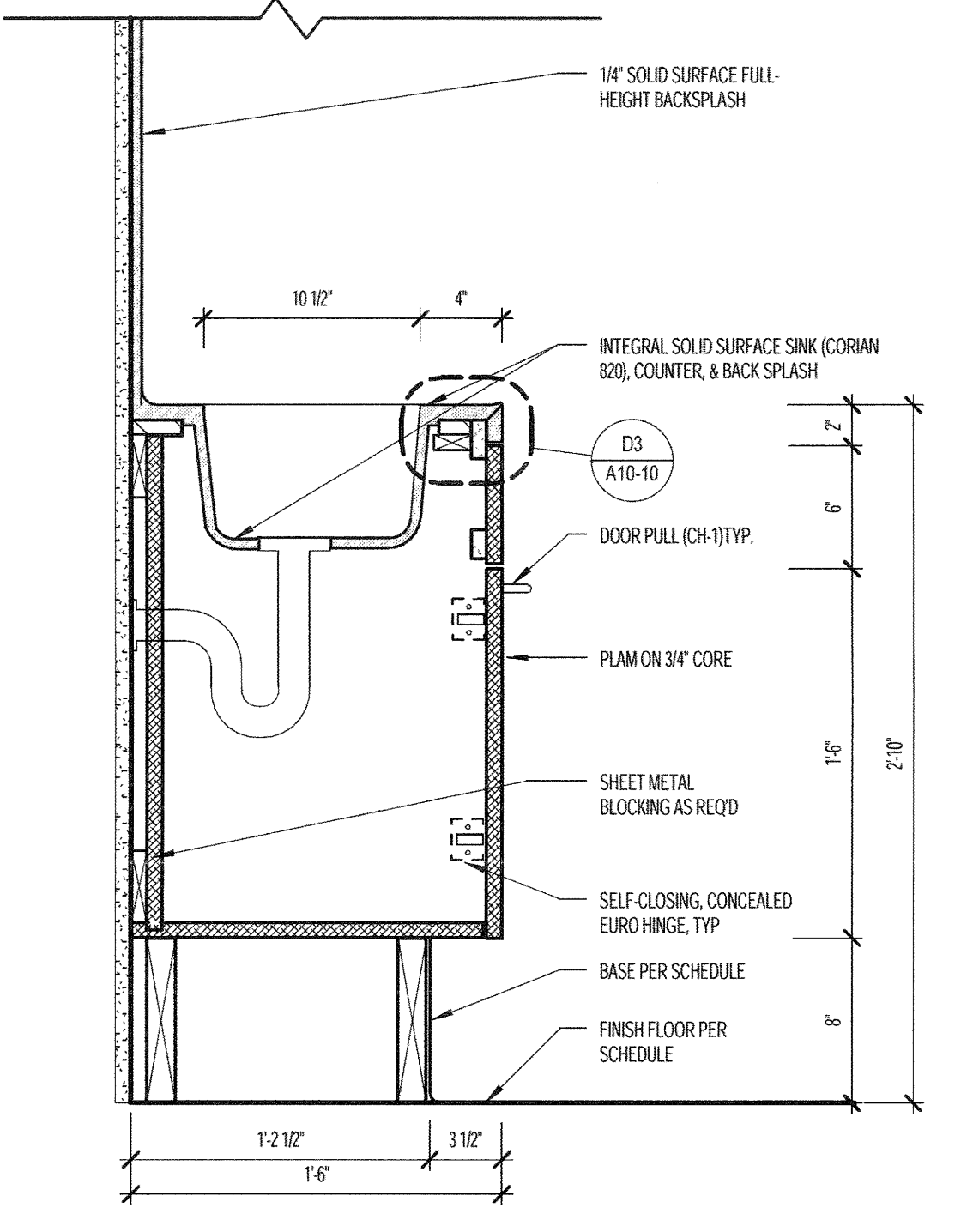
C1 WALL CABINET BELOW SOFFIT
1 1/2" = 1'-0"



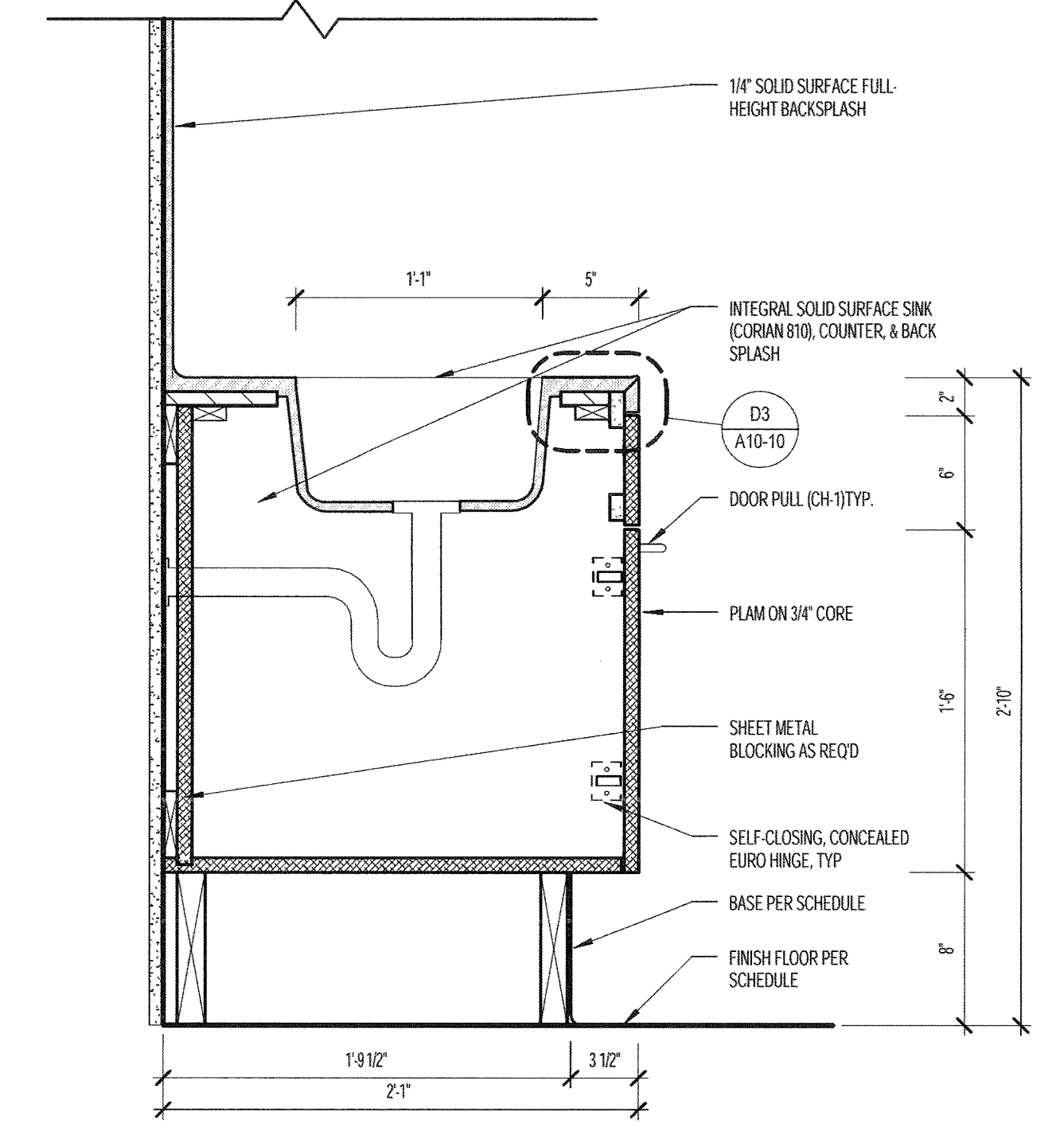
C2 OPEN SHELF
1 1/2" = 1'-0"



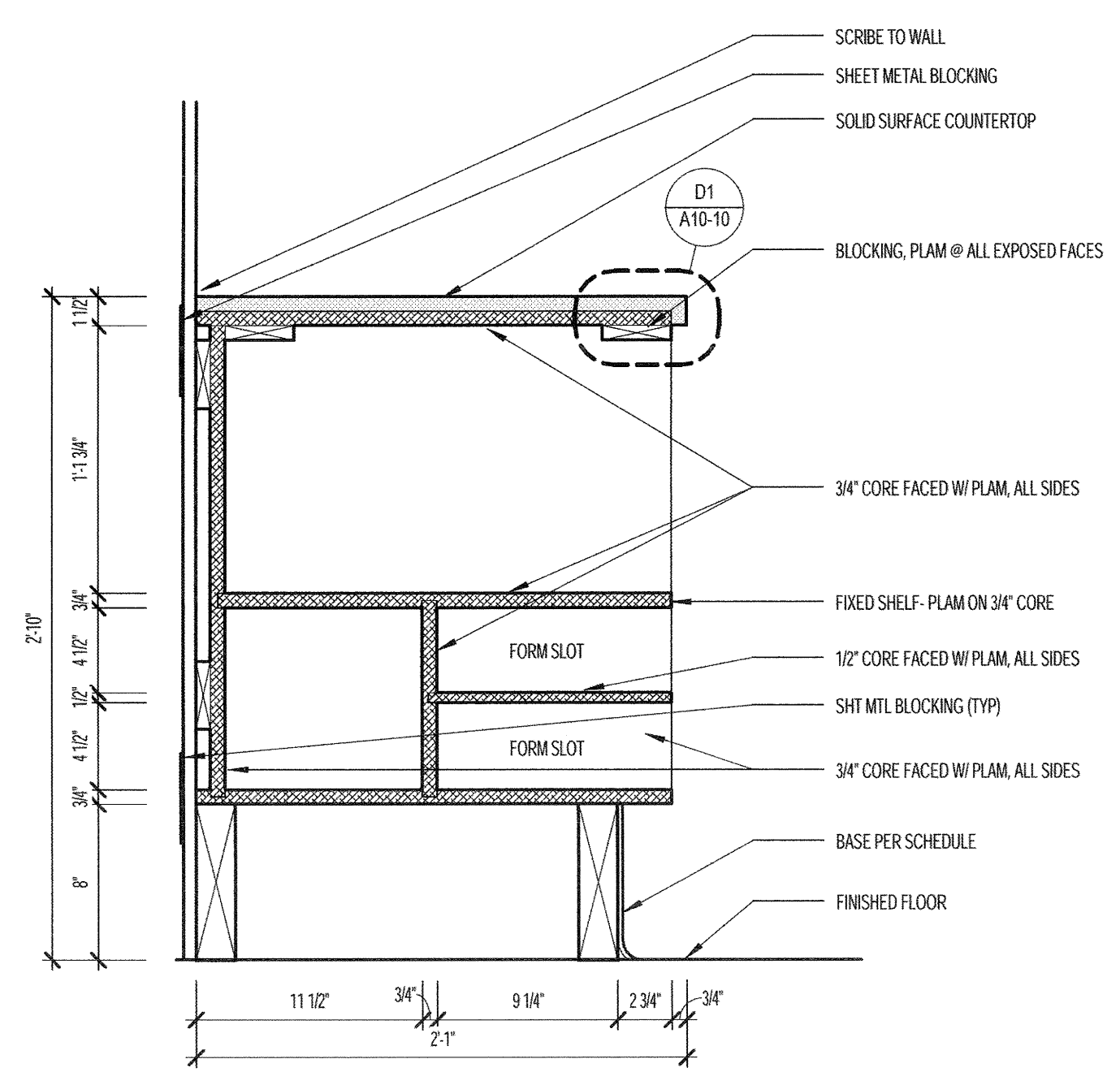
C3 COUNTER W/ INTEGRAL SINK - RECTANGLE
1 1/2" = 1'-0"



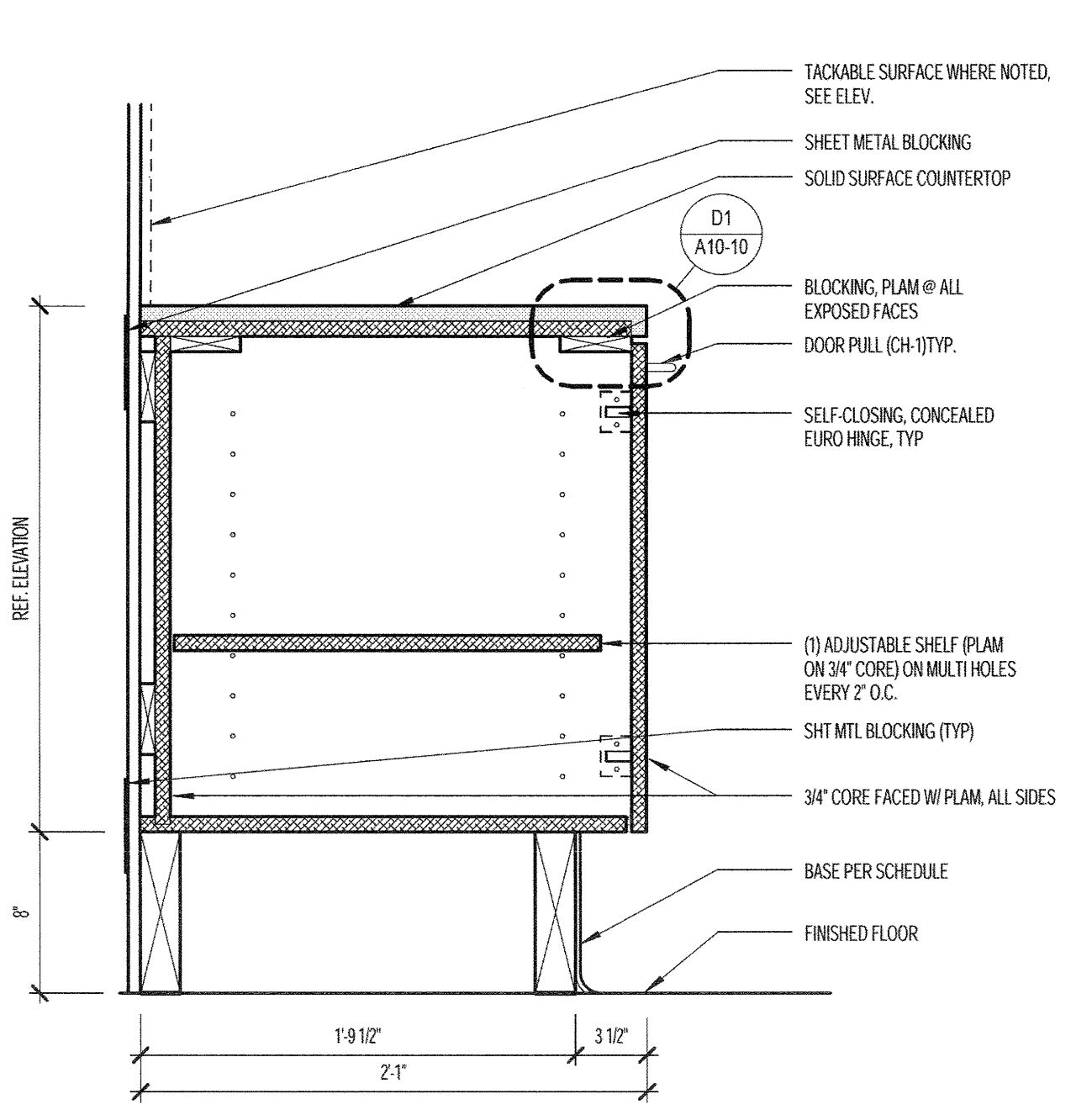
C4 COUNTER W/ INTEGRAL SINK - SMALL ROUND
1 1/2" = 1'-0"



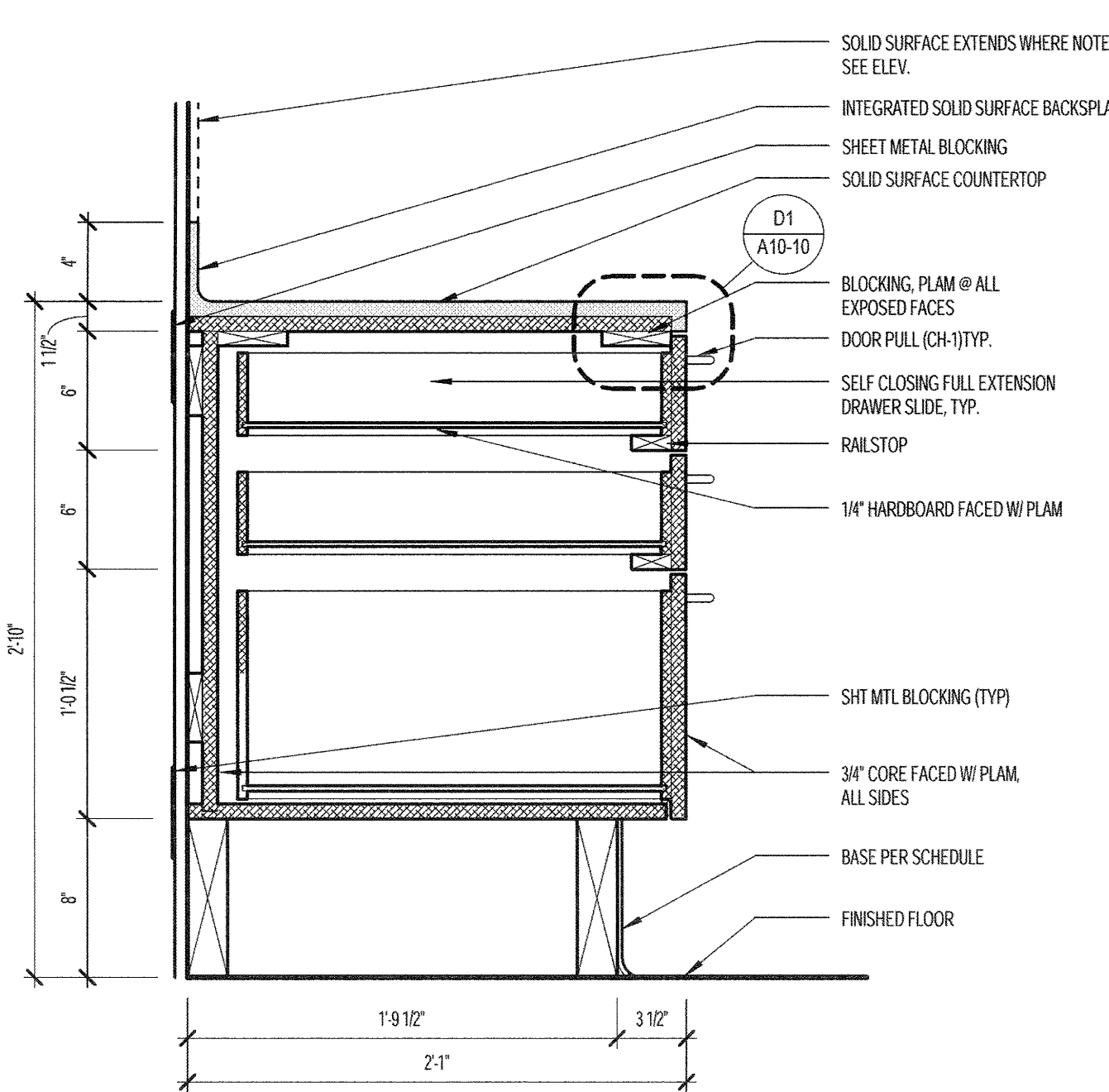
C5 COUNTER W/ INTEGRAL SINK - LARGE
ROUND
1 1/2" = 1'-0"



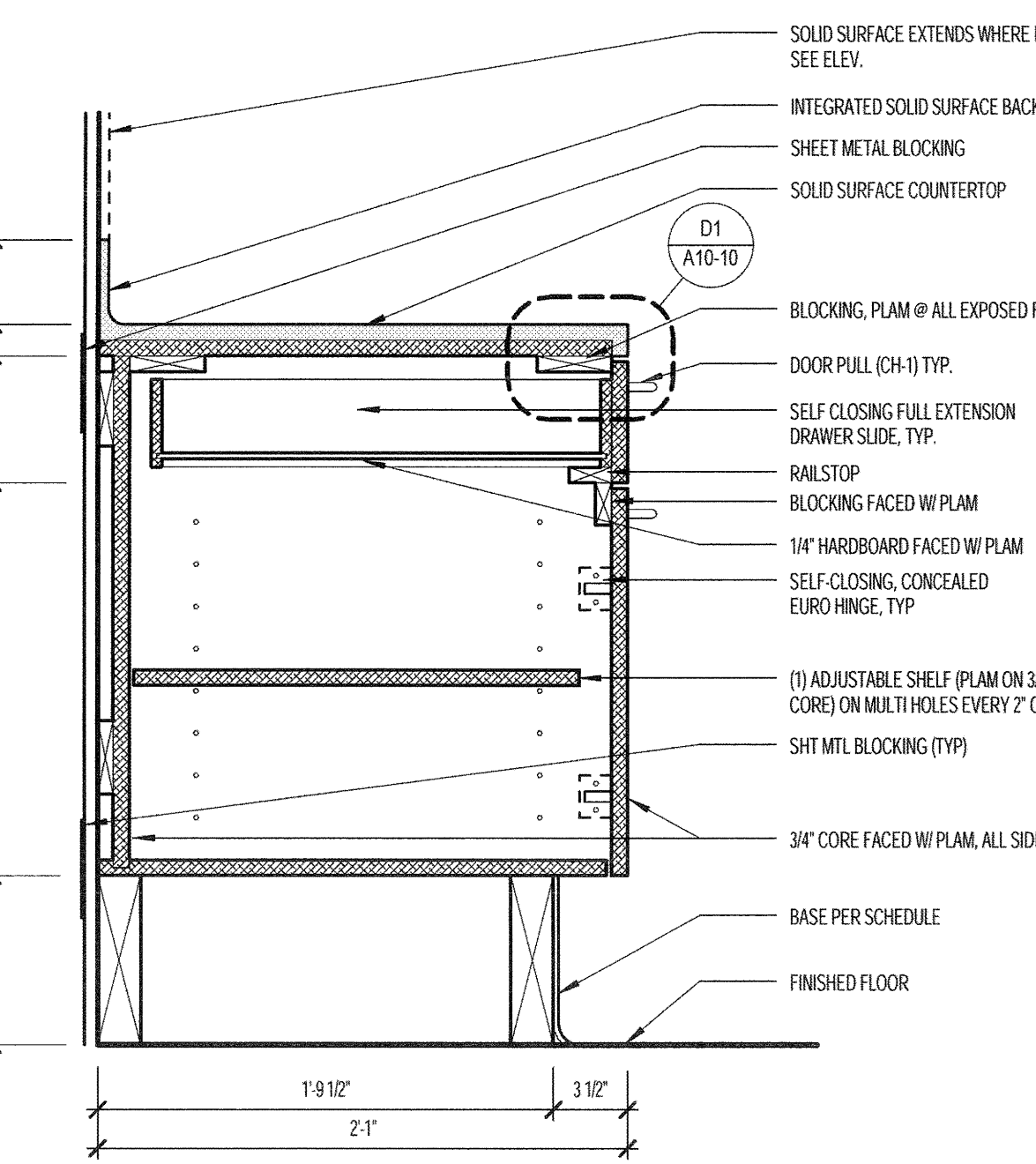
A1 BASE CABINET - SOLID SURFACE W/ FORM
SLOTS
1 1/2" = 1'-0"



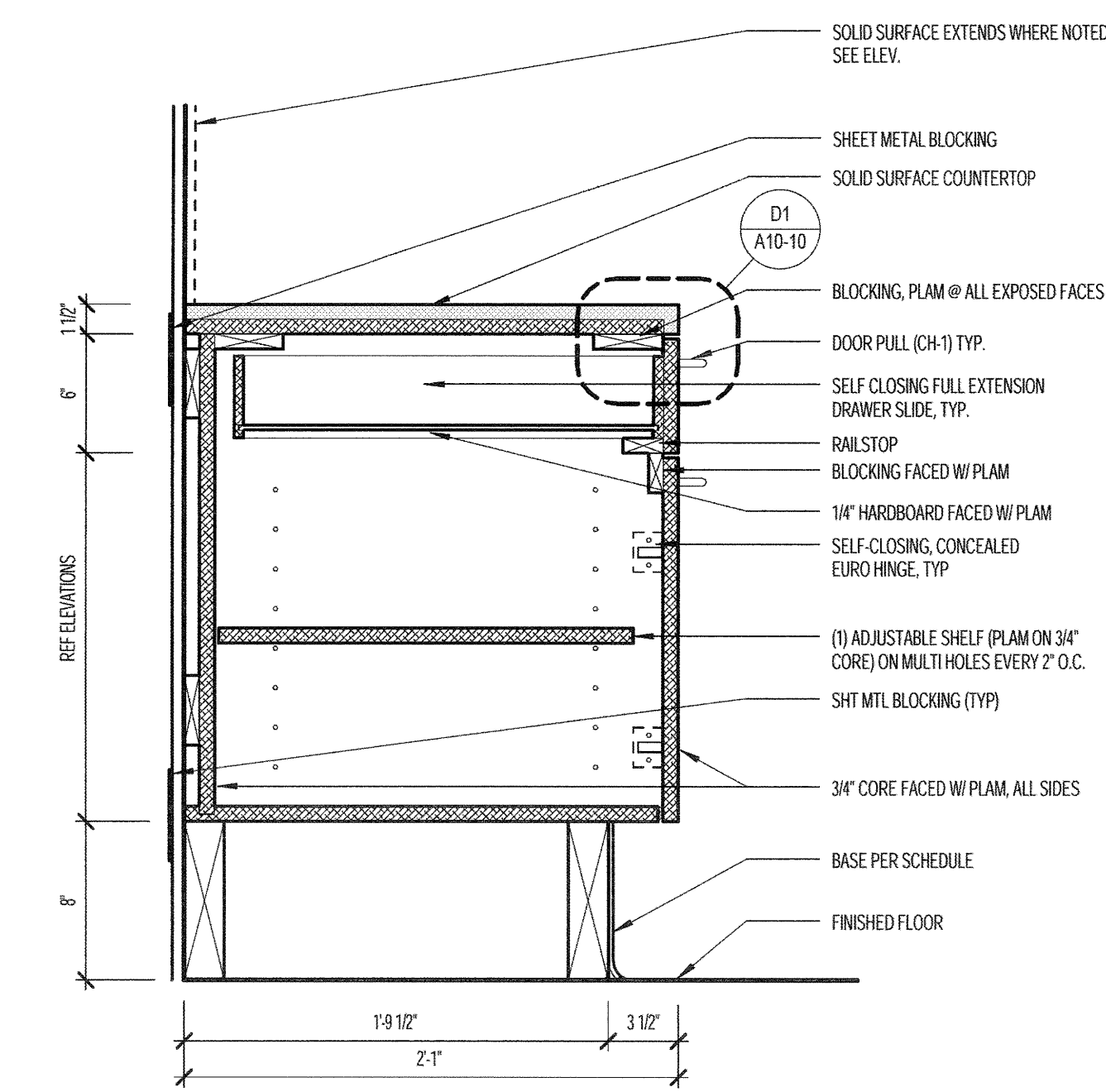
A2 BASE CABINET - SOLID SURFACE NO
BACKSLASH
1 1/2" = 1'-0"



A3 BASE CABINET W/ DRAWERS
1 1/2" = 1'-0"



A4 BASE CABINET W/ SINGLE DRAWER
1 1/2" = 1'-0"



A5 BASE CABINET W/ SINGLE DRAWER, NO
BACKSLASH
1 1/2" = 1'-0"