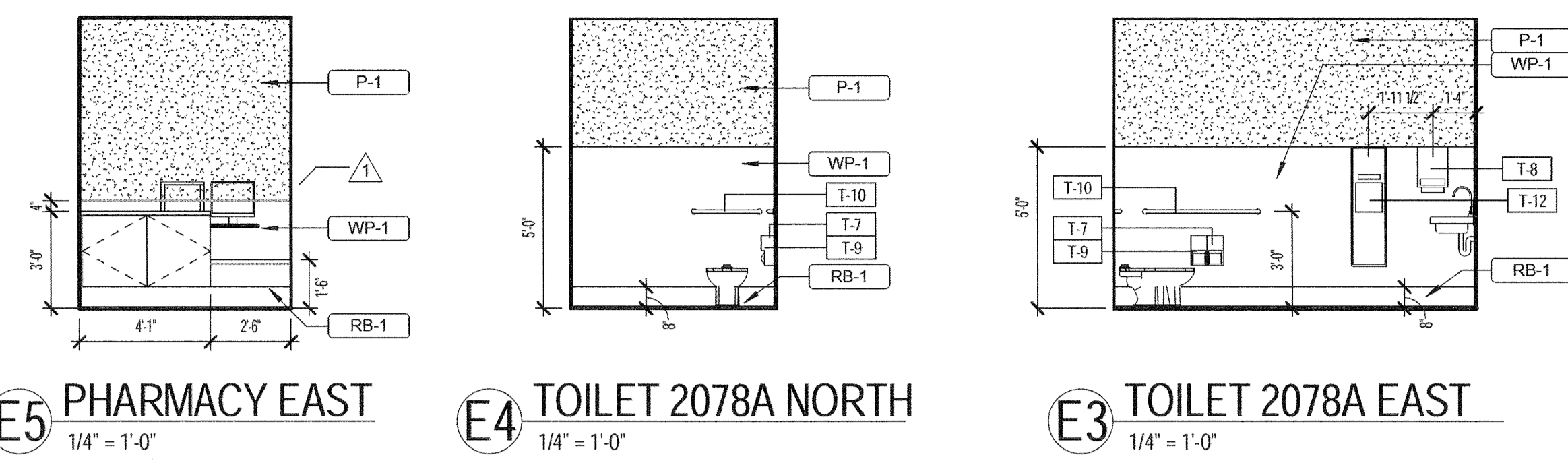


Issued for Permit	02/07/2014
1 Addendum #3	01/17/2014
NO	ISSUE DATE

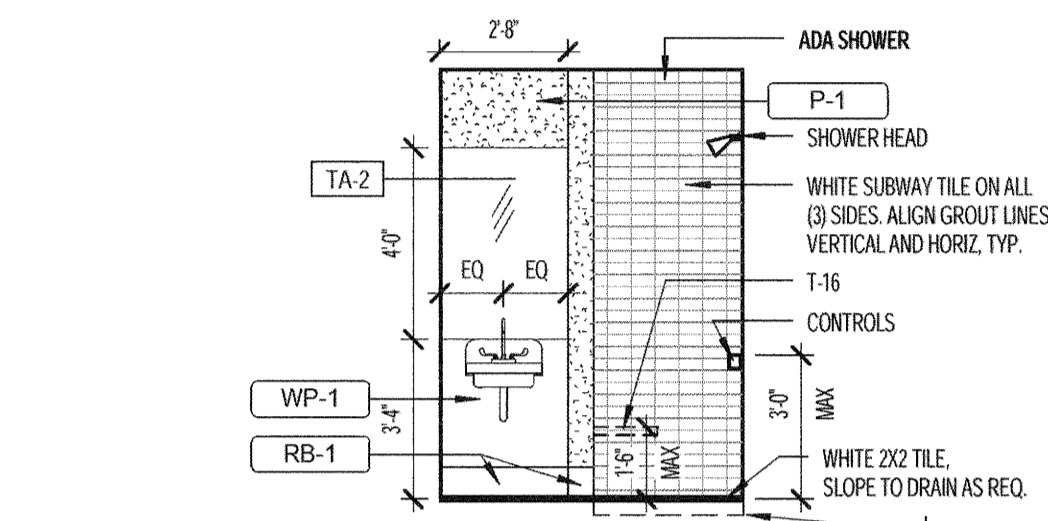
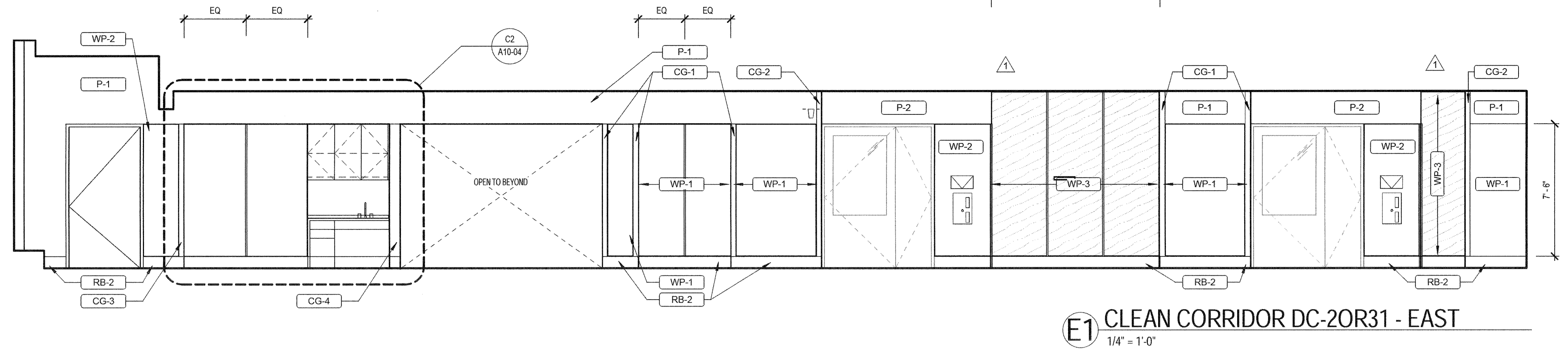
Sheet Information	
Date	SEPTEMBER 10, 2013
Job #	C140135461 (MMC) 152168.000
Drawn	M PIERCE
Checked	MTH
Approved	Approver

**Title**  
**LEVEL 02  
INTERIOR  
ELEVATIONS**

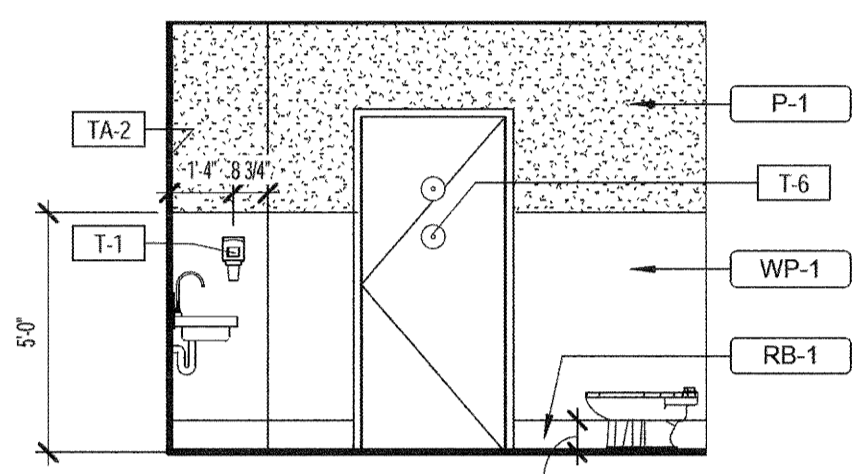


**E4 TOILET 2078A NORTH**  
1/4" = 1'-0"

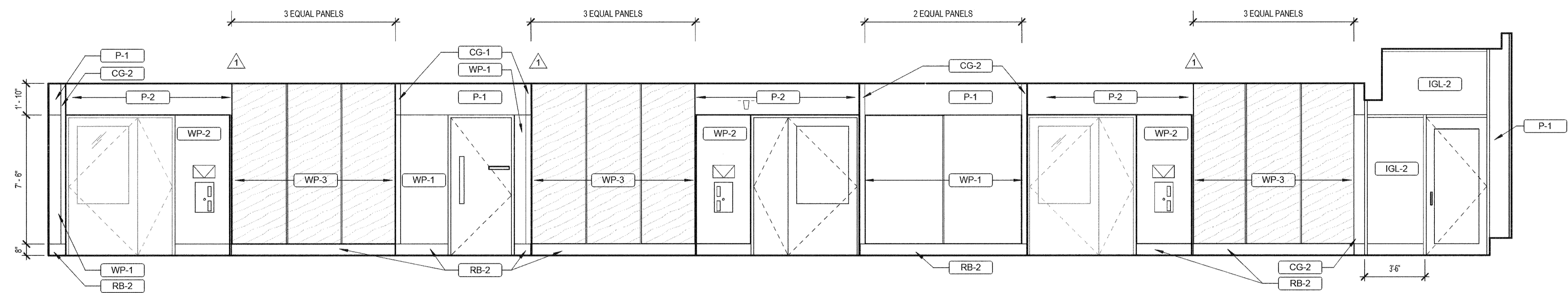
**E3 TOILET 2078A EAST**  
1/4" = 1'-0"



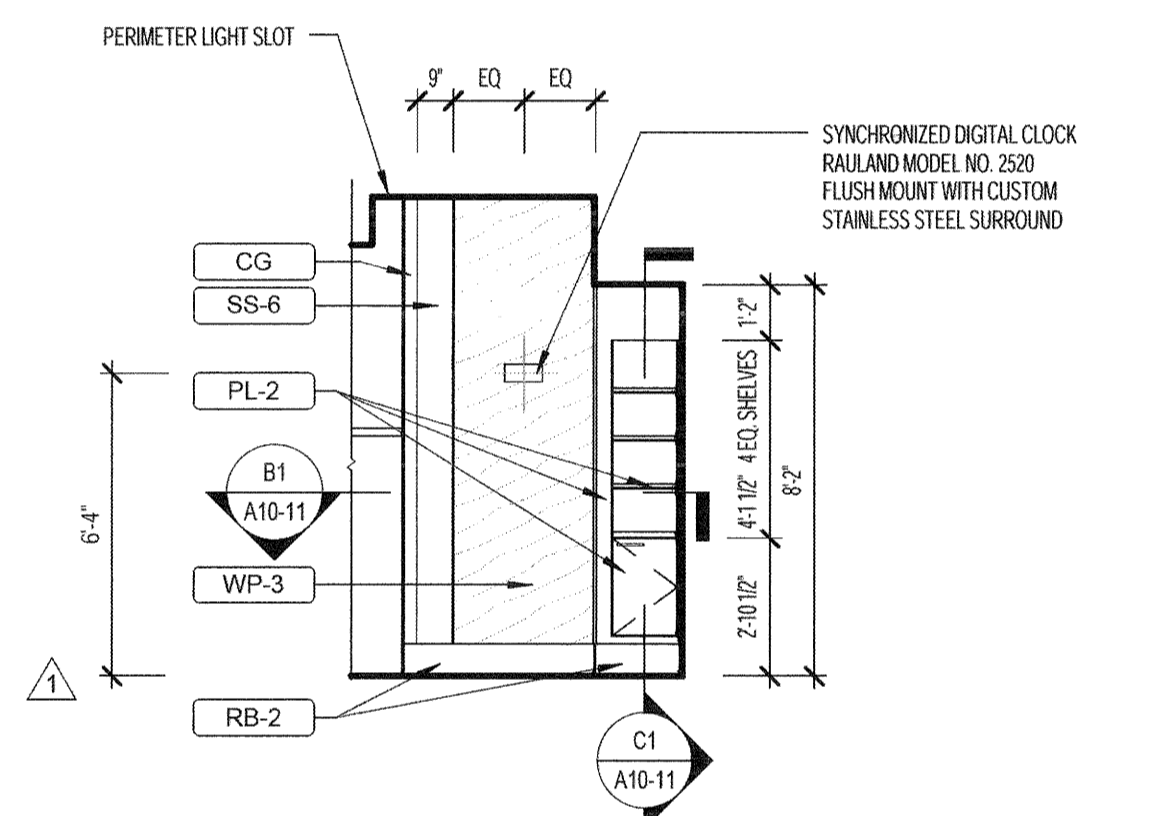
**D5 TOILET 2078A SOUTH**  
1/4" = 1'-0"



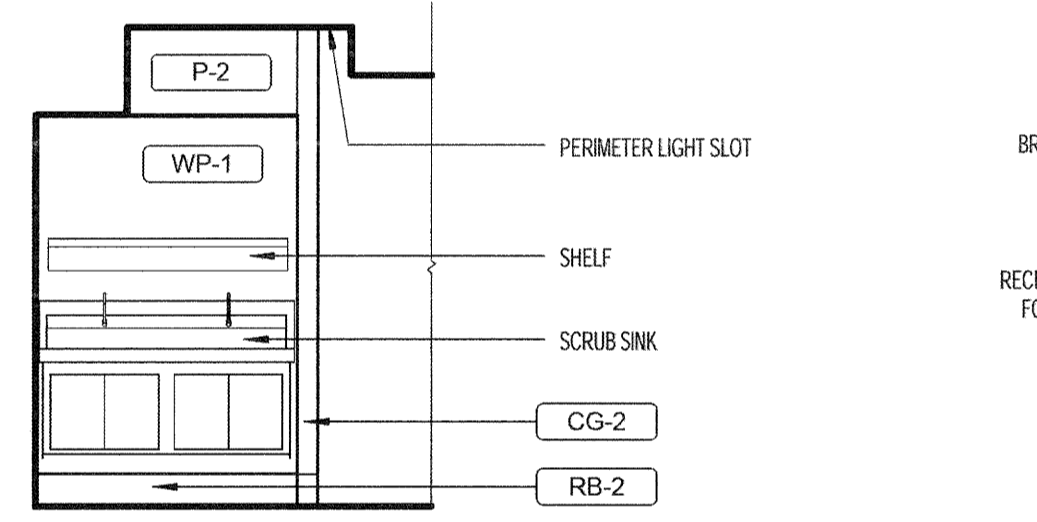
**D4 TOILET 2078A WEST**  
1/4" = 1'-0"



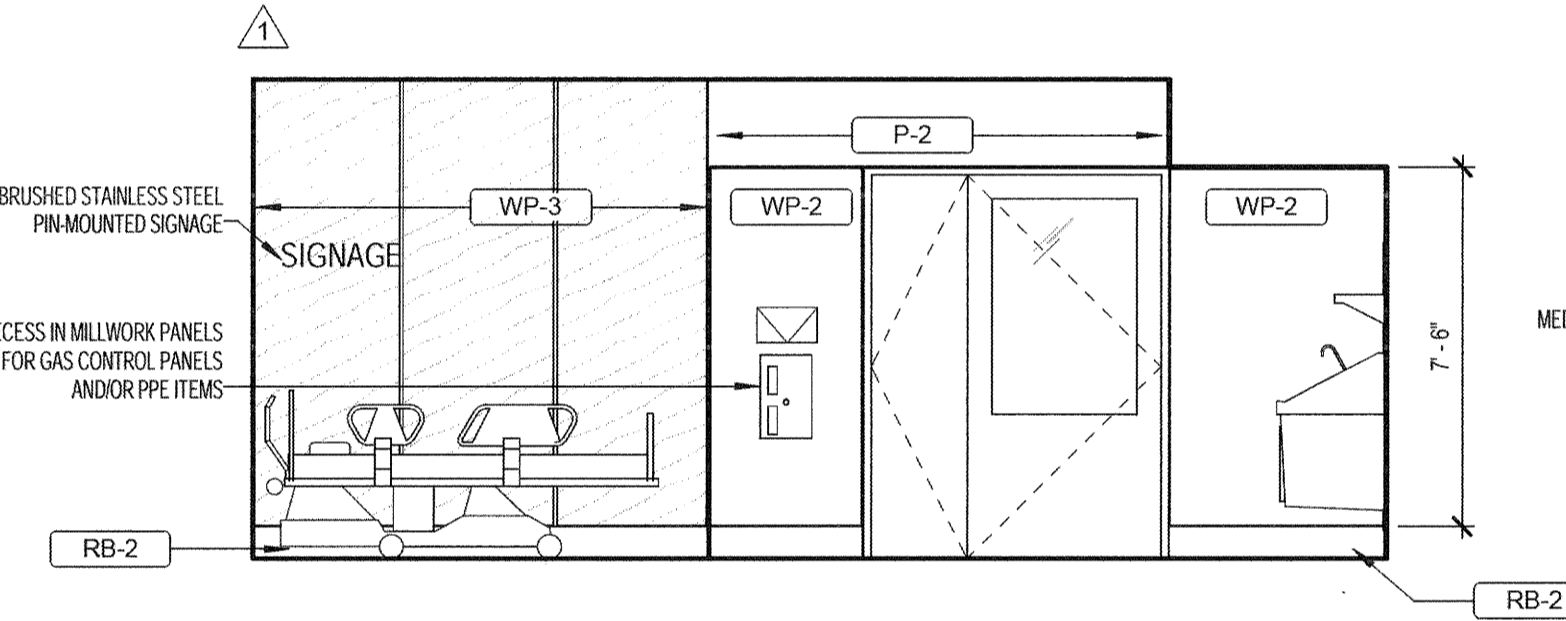
**D1 CLEAN CORRIDOR DC-20R31 - WEST**  
1/4" = 1'-0"



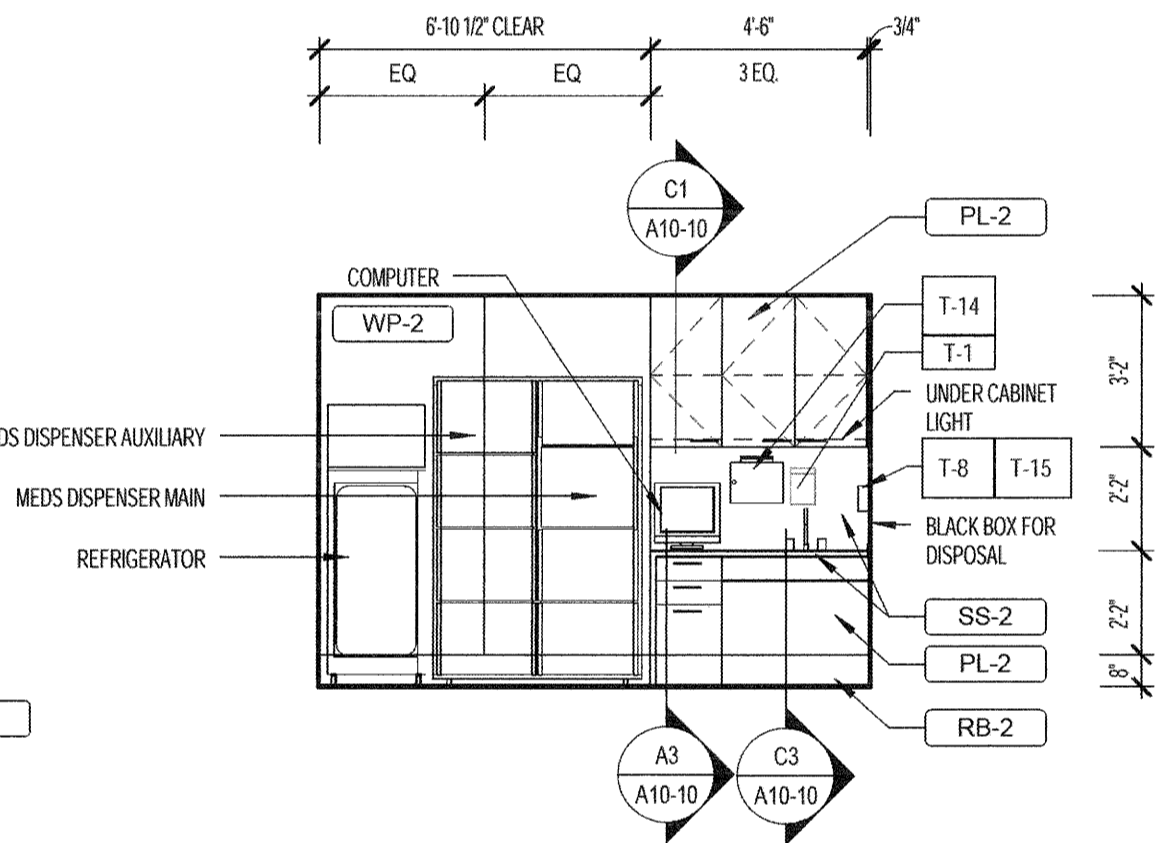
**C5 TYPICAL PROCEDURE ROOM STRETCHER ALCOVE HEAD**  
1/4" = 1'-0"



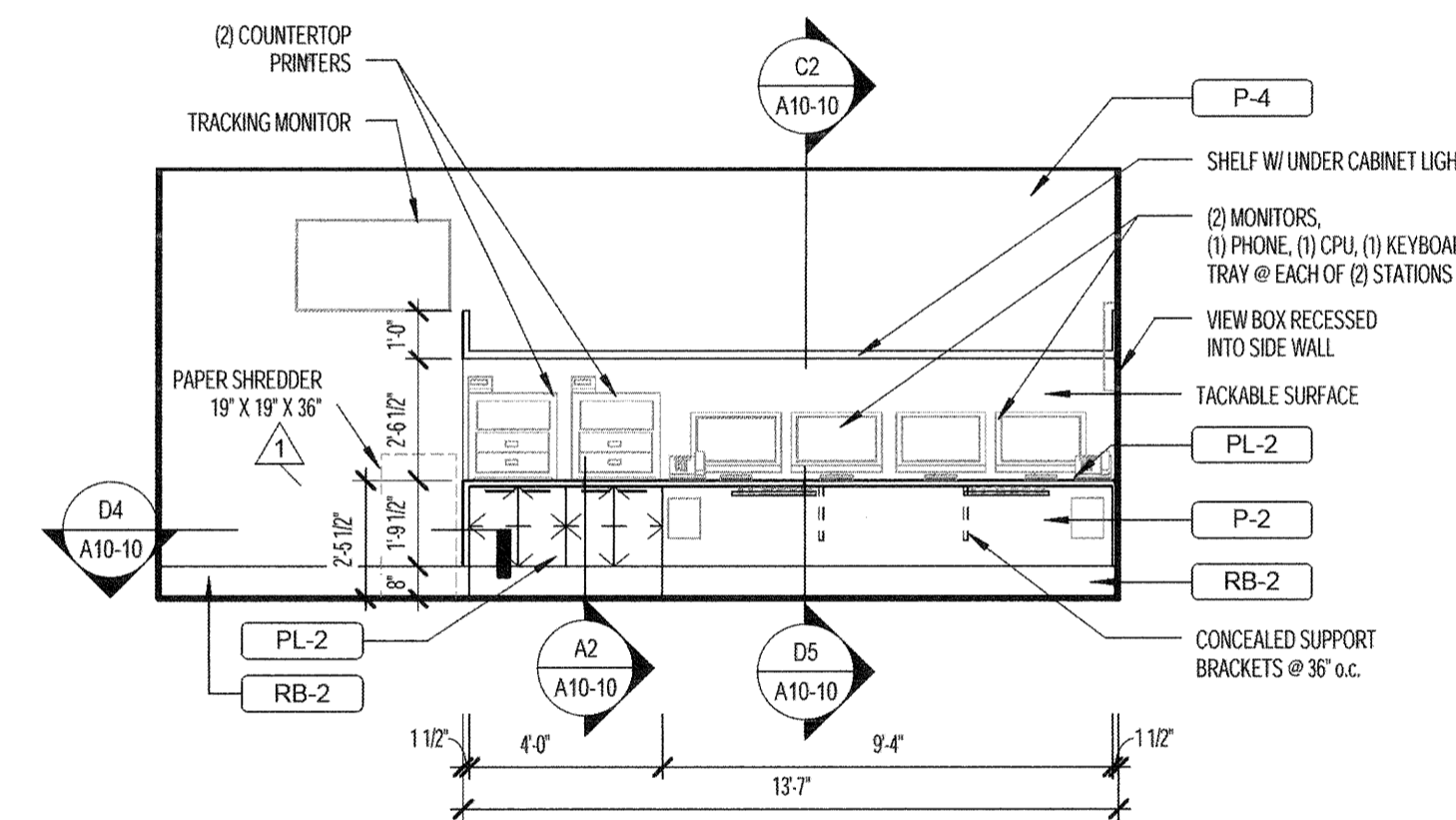
**C4 TYPICAL PROCEDURE ROOM SCRUB**  
1/4" = 1'-0"



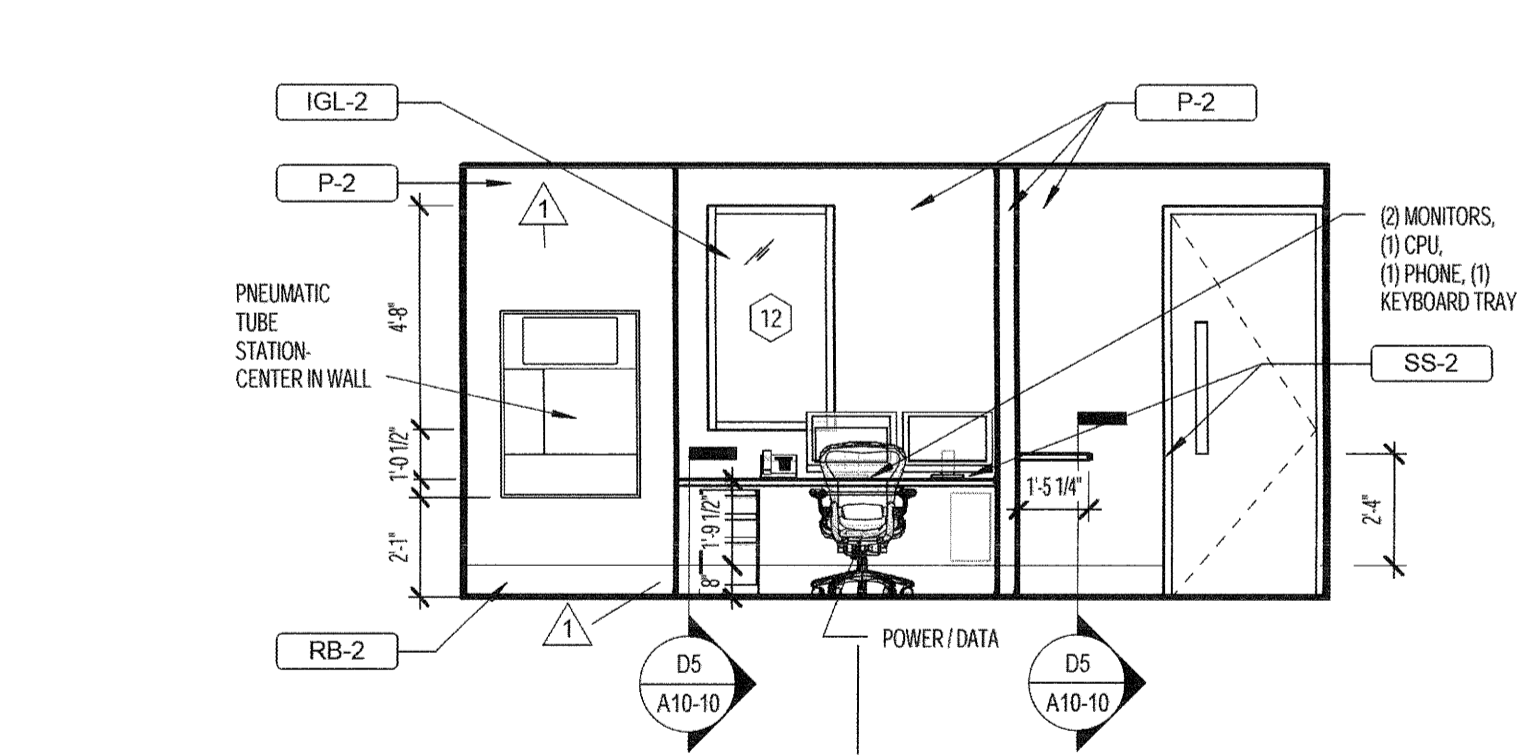
**C3 TYPICAL PROCEDURE ROOM ENTRY**  
1/4" = 1'-0"



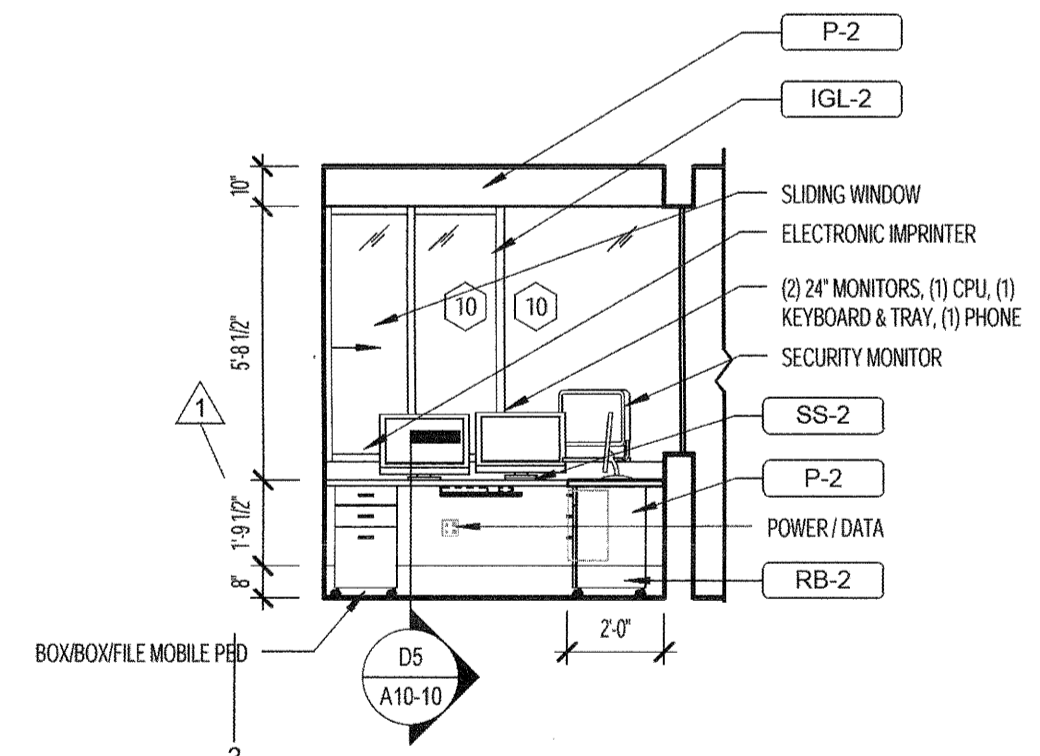
**C2 OR MED ALCOVE DC-20R6A - EAST**  
1/4" = 1'-0"



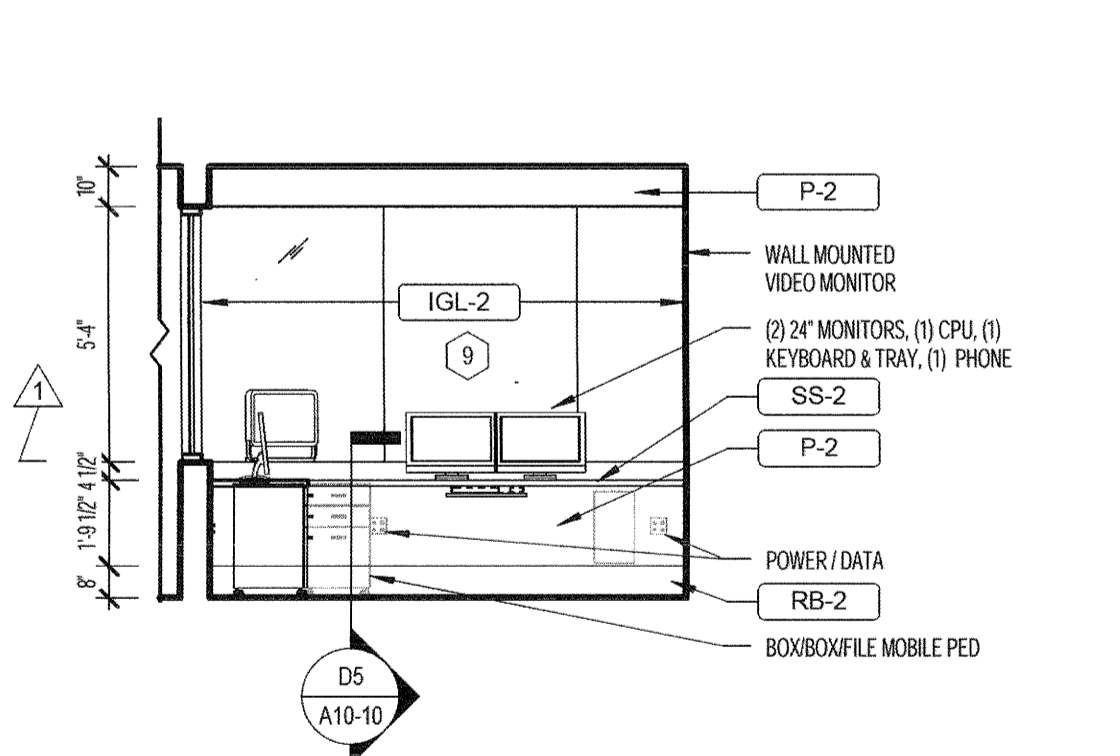
**C1 OR WORK ROOM 20110 - WEST**  
1/4" = 1'-0"



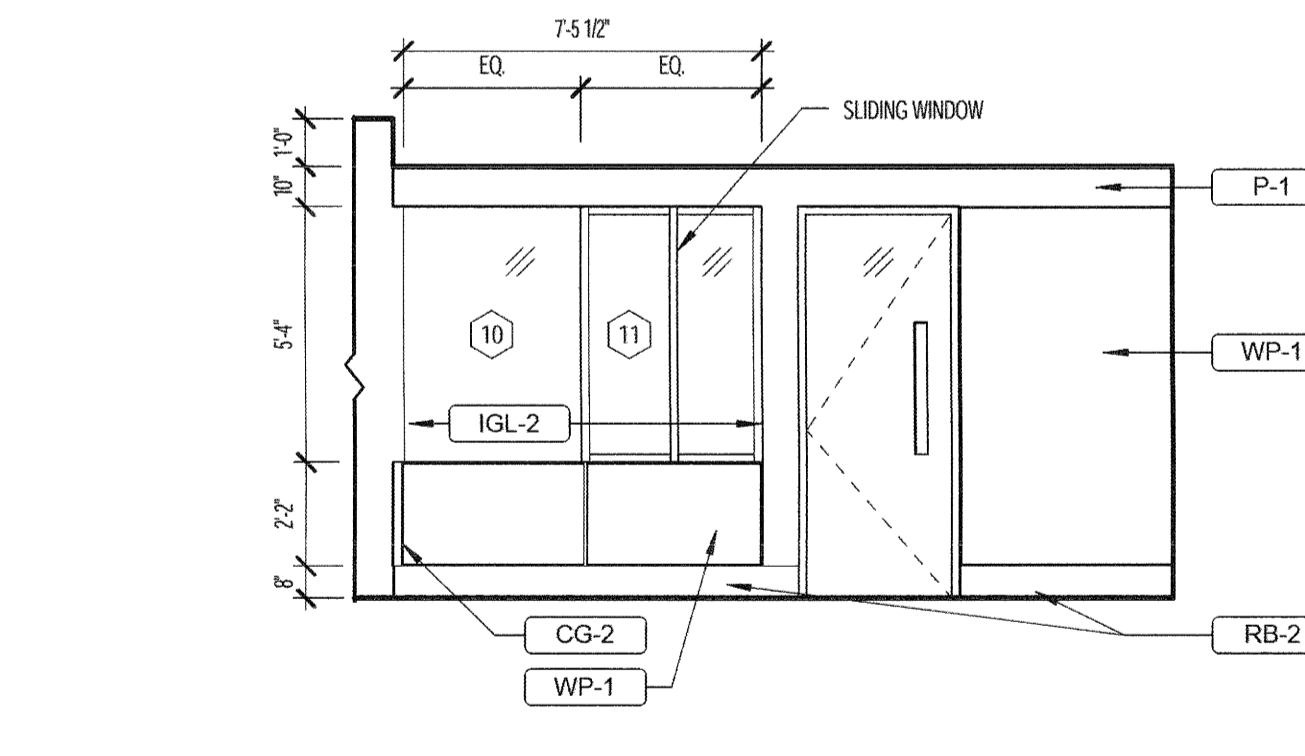
**B5 OR WORK ROOM 20110 - EAST**  
1/4" = 1'-0"



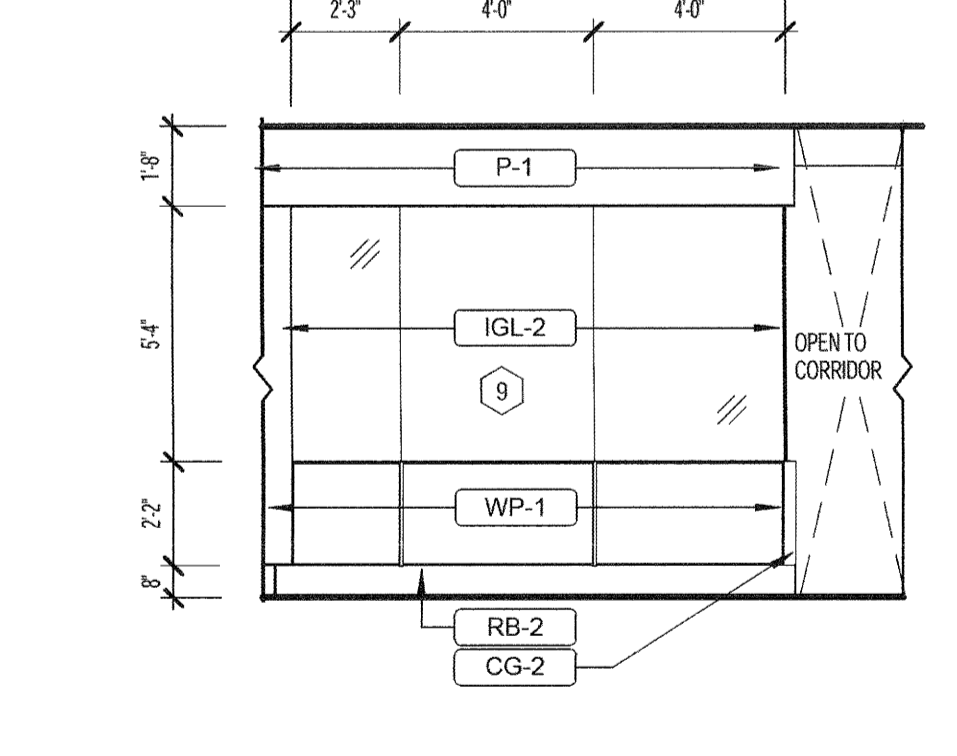
**B4 OR CONTROL DESK 20110A - EAST**  
1/4" = 1'-0"



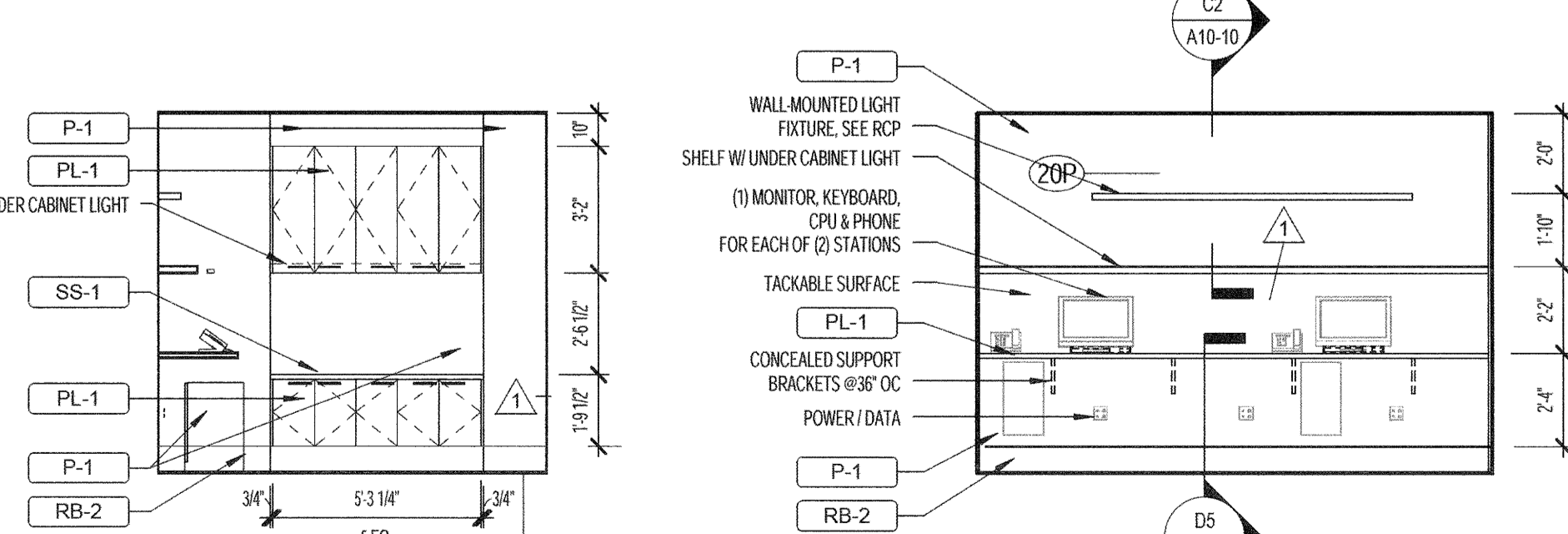
**B3 OR CONTROL DESK 20110A - SOUTH**  
1/4" = 1'-0"



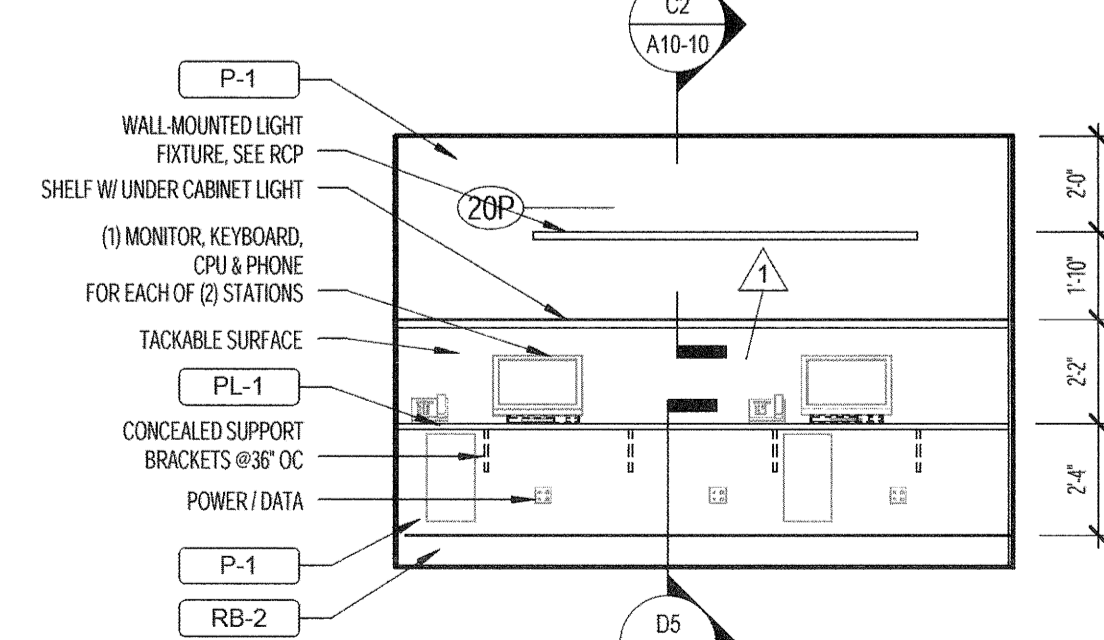
**B2 OR CONTROL DESK 20110A - WEST**  
1/4" = 1'-0"



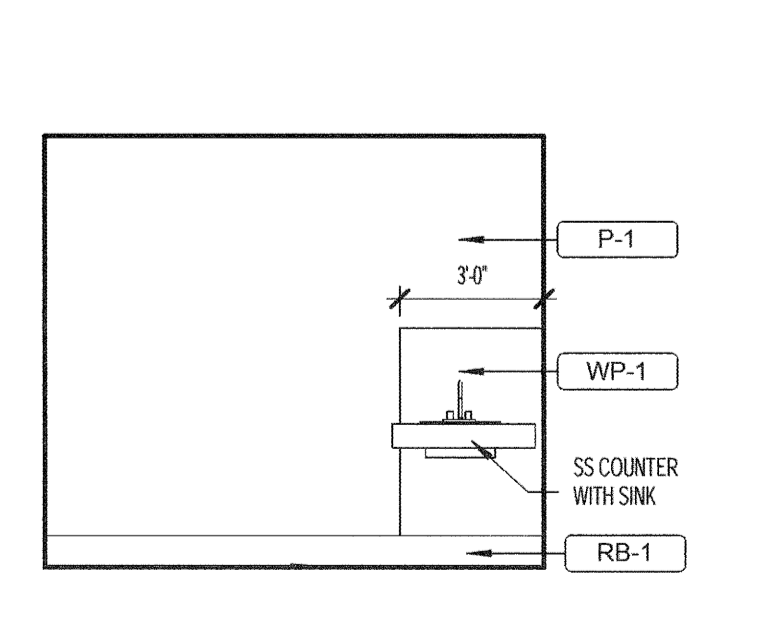
**B1 OR CONTROL DESK 20110A - NORTH**  
1/4" = 1'-0"



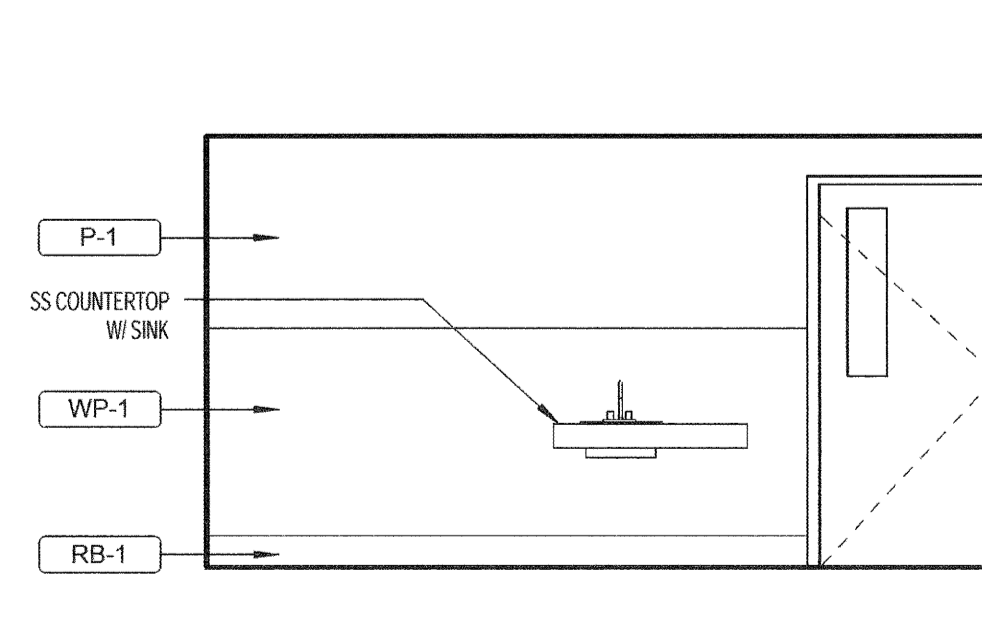
**A6 OR RADIOLOGY WORK ROOM 20117 WEST**  
1/4" = 1'-0"



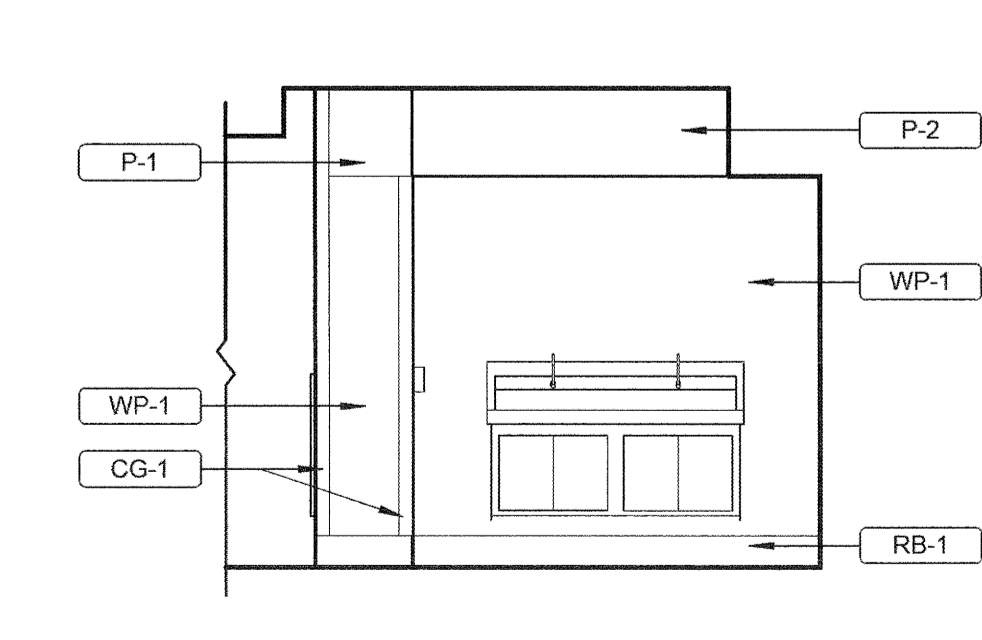
**A5 OR RADIOLOGY WORK ROOM 20117 - SOUTH**  
1/4" = 1'-0"



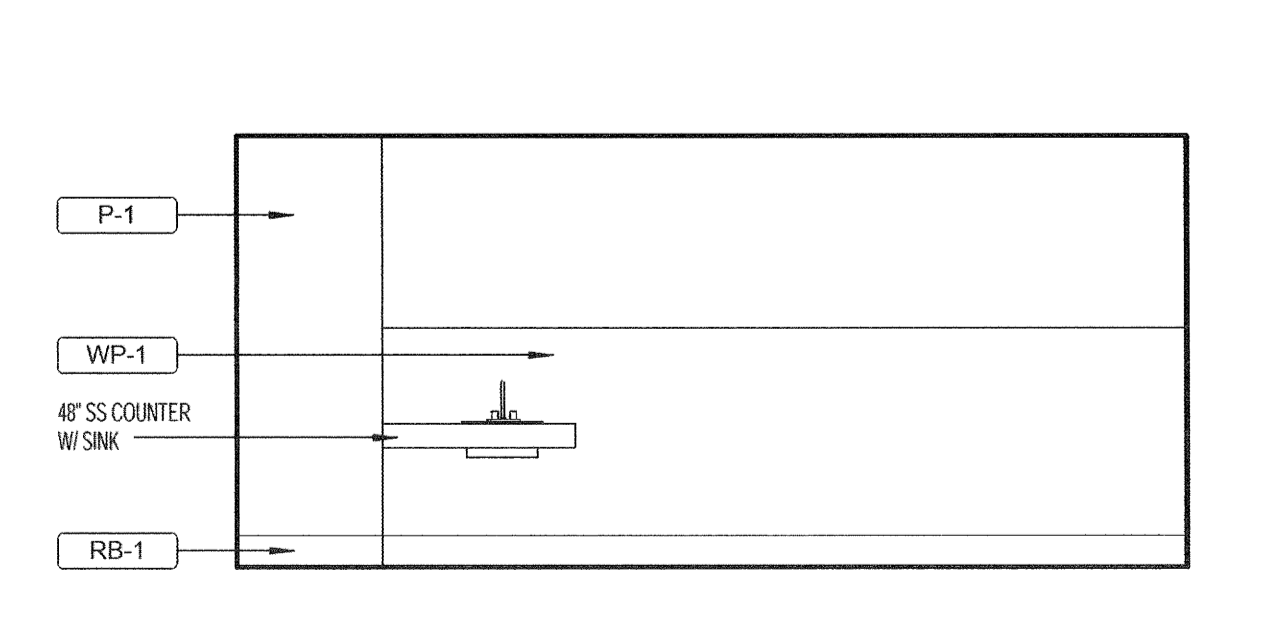
**A4 SUB STERILE 20102 - SOUTH**  
1/4" = 1'-0"



**A3 SUB STERILE 20108A - SOUTH**  
1/4" = 1'-0"



**A2 SCRUB 20127 - NORTH**  
1/4" = 1'-0"



**A1 SUB STERILE 20125A - EAST**  
1/4" = 1'-0"