

**Bean 2 Roof  
Addition**  
22 Bramhall Street, Portland,  
Maine 04102

MEP ENGINEER  
AKF ENGINEERS

41 Farnsworth Street, 3rd Floor  
Boston, MA 02210  
617.737.1111  
617.737.4311

STRUCTURAL ENGINEER

**SIMPSON GUMPERTZ &  
HEGER**  
41 Seyon Street, Building 1, Suite 500  
Walham, MA 02463  
781.907.9000  
781.907.9009

MEDICAL EQUIPMENT PLANNERS

**RTL ASSOCIATES INC.**

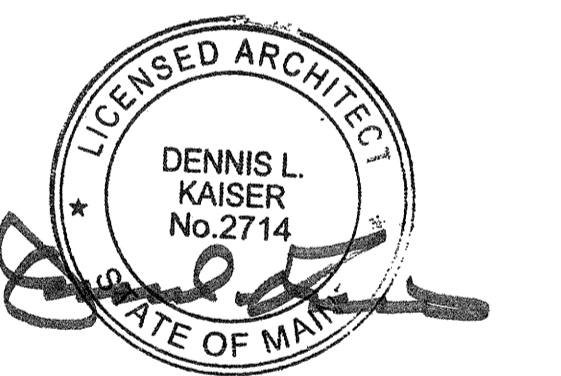
1717 PACIFIC AVENUE  
DALLAS, TX 75201  
214.468.7600  
214.468.7601

COST ESTIMATOR

**DG JONES & PARTNERS**

3 Baldwin Green Common, Suite 202  
Walham, MA 02461  
781.932.3331  
781.932.3199

**CONSTRUCTION  
DOCUMENTS**



**Revisions**

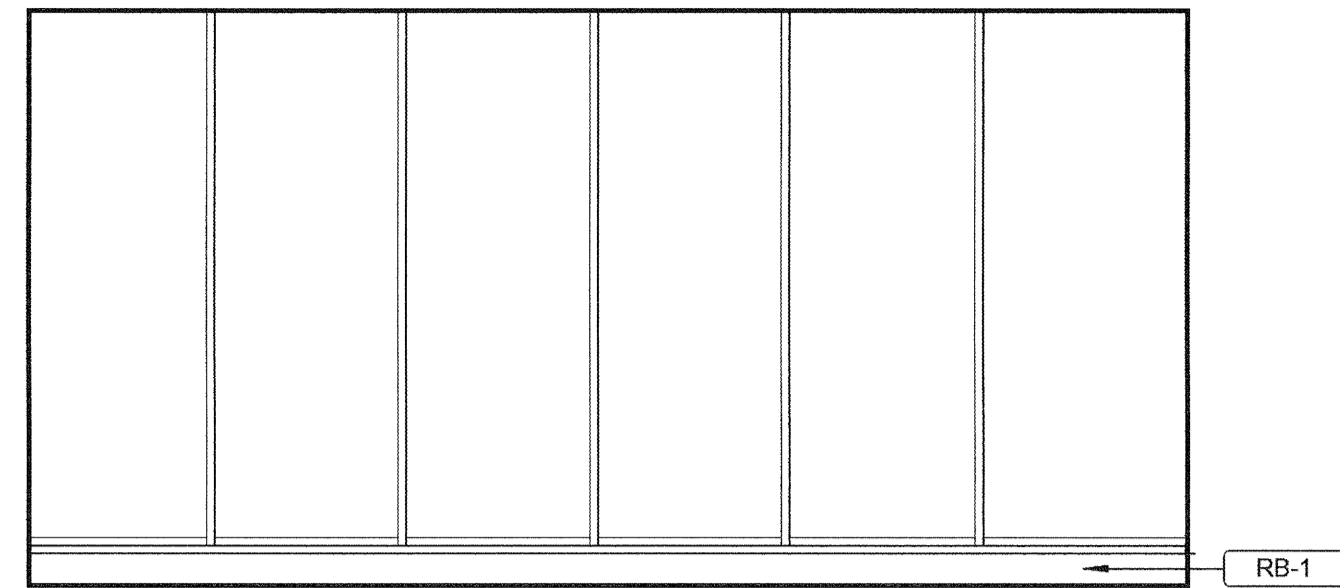
Issued for Permit	02/07/2014
1 Addendum #3	01/17/2014
NO	ISSUE DATE

<b>Sheet Information</b>	
Date	SEPTEMBER 10, 2013
Job #	C140135461 (MMC) 152168.000
Drawn	M PIERCE
Checked	Checker
Approved	Approver

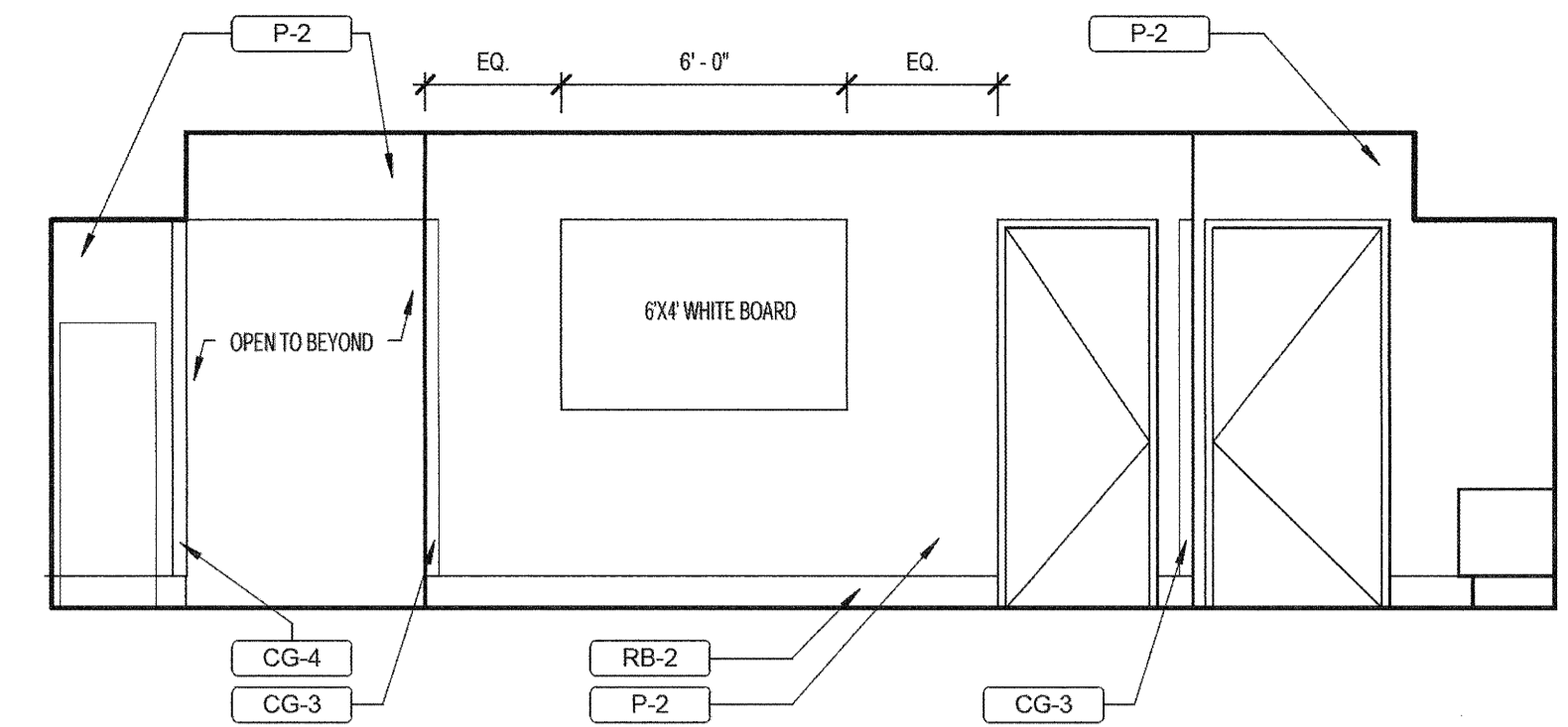
**LEVEL 02  
INTERIOR  
ELEVATIONS**

Sheet

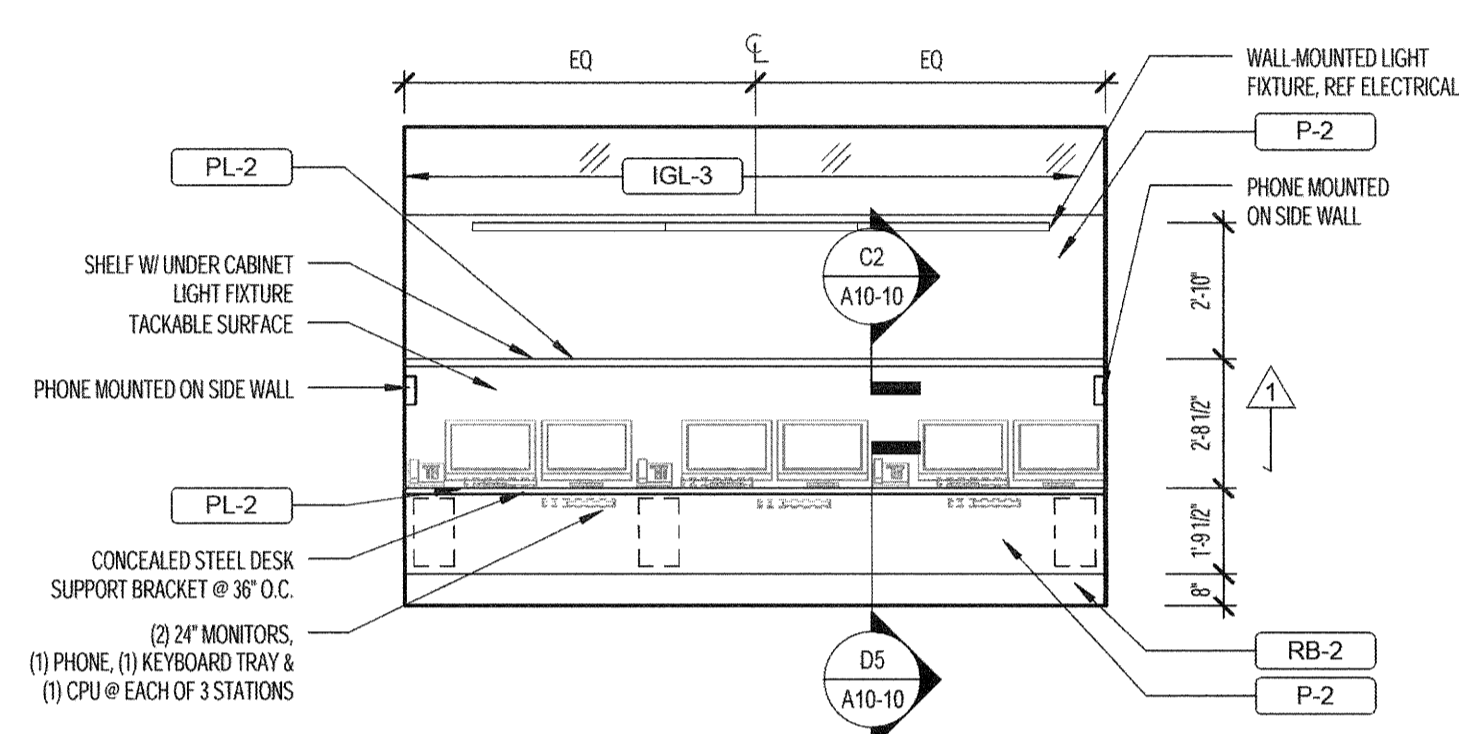
**A10-02**



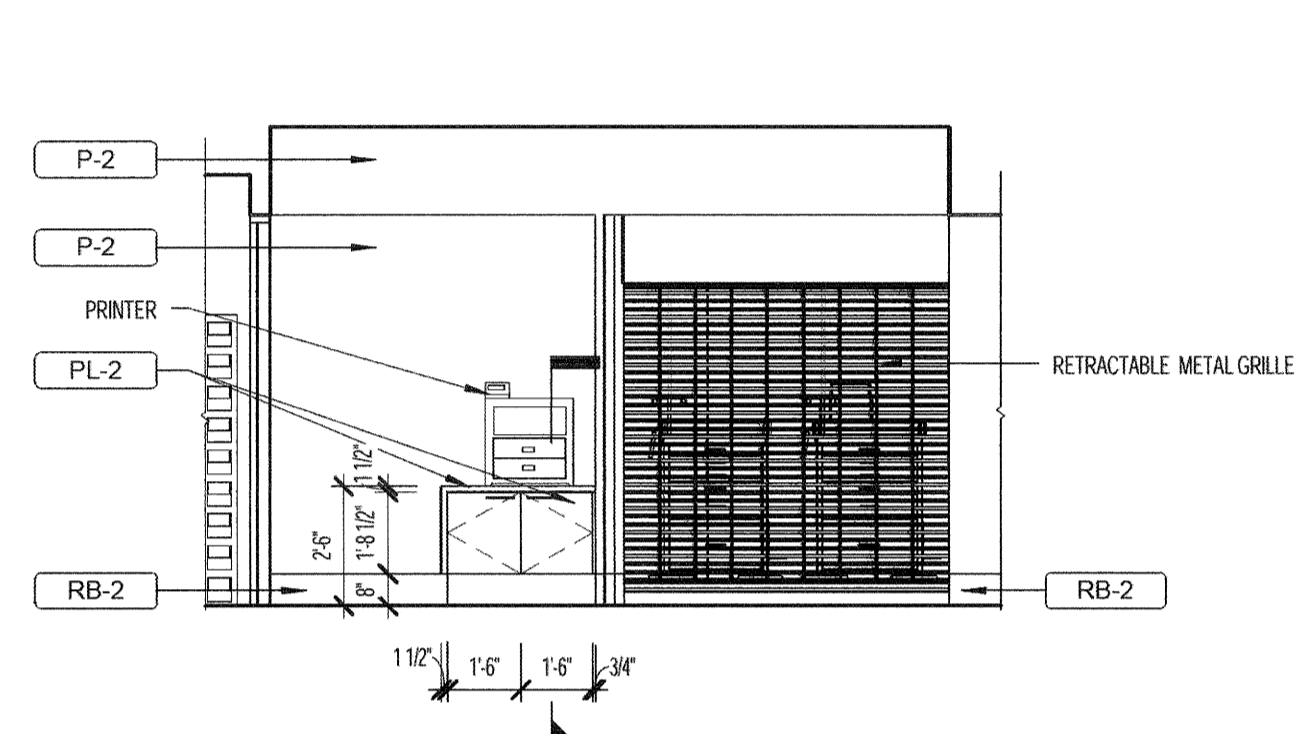
**D5 CONFERENCE ROOM 2003 - WEST**  
1/4" = 1'-0"



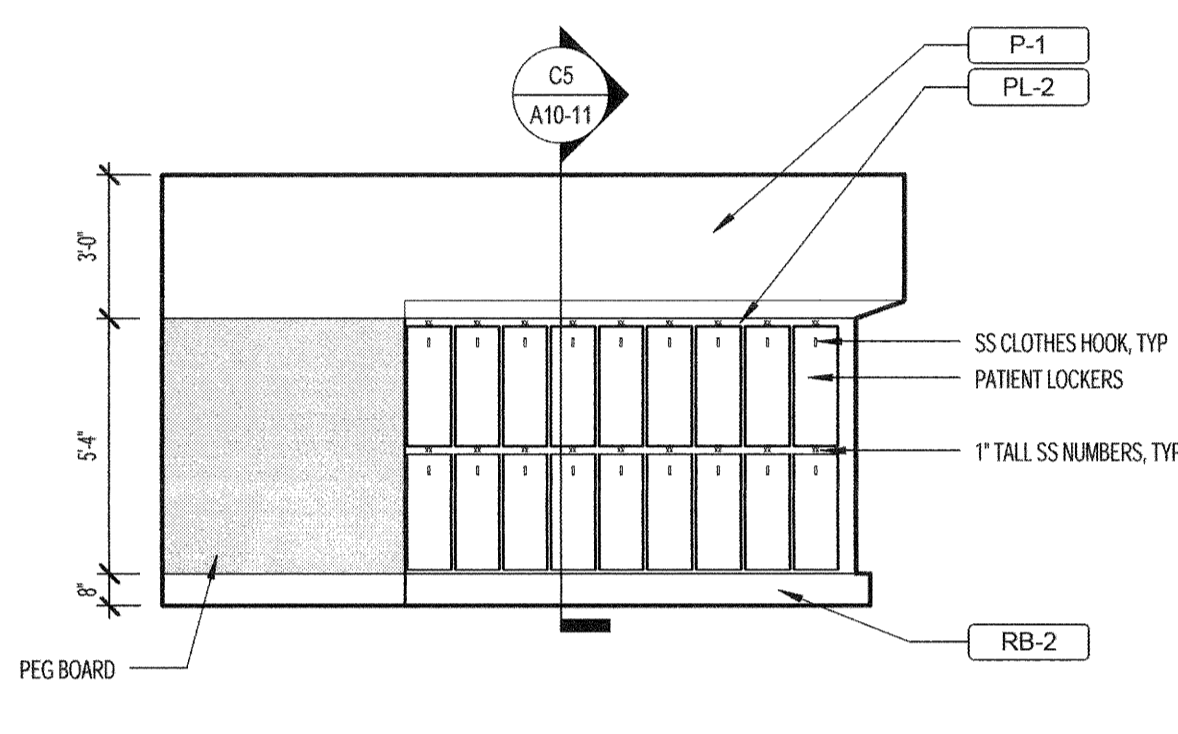
**D4 DICTATION 20144 - NORTH**  
1/4" = 1'-0"



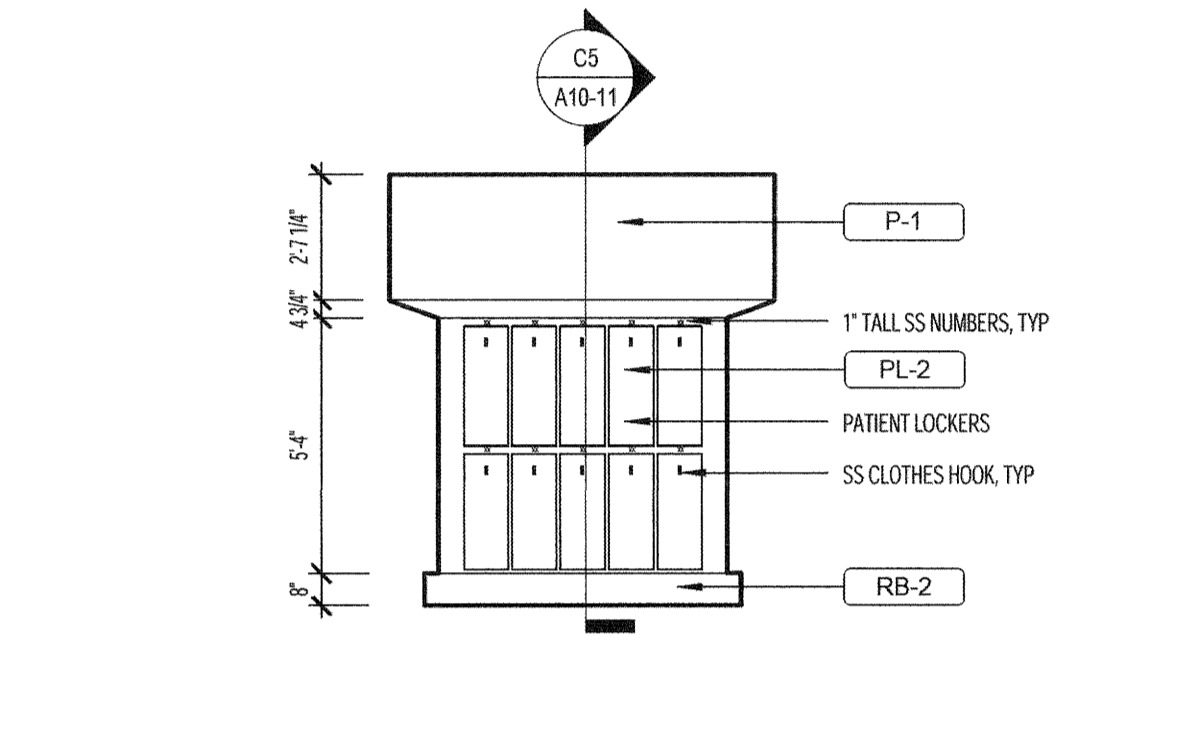
**C4 PACU DICTATION 20144 - SOUTH**  
1/4" = 1'-0"



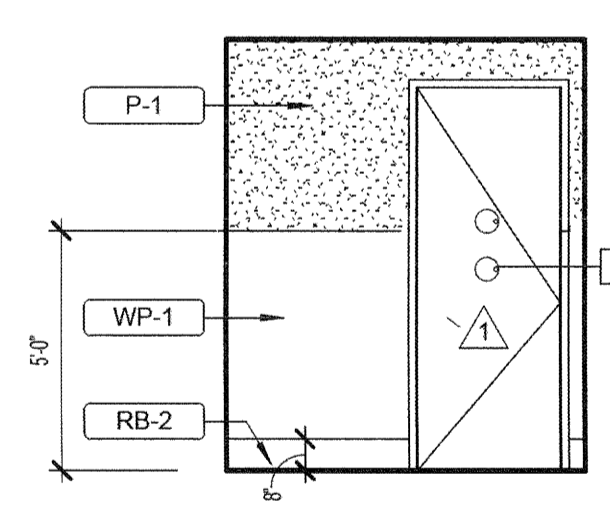
**C3 CRASH CARTS 20145C - EAST**  
1/4" = 1'-0"



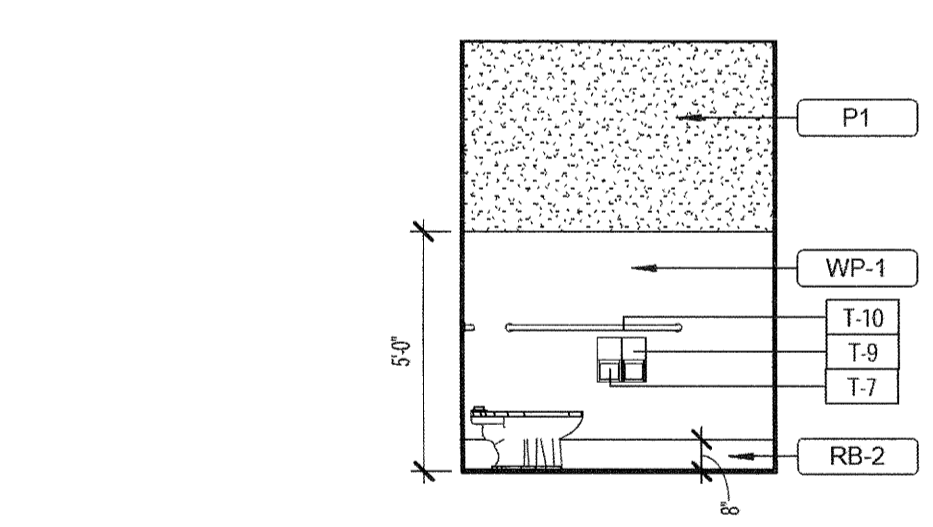
**C2 PATIENT BELONGINGS 20143 - WEST**  
1/4" = 1'-0"



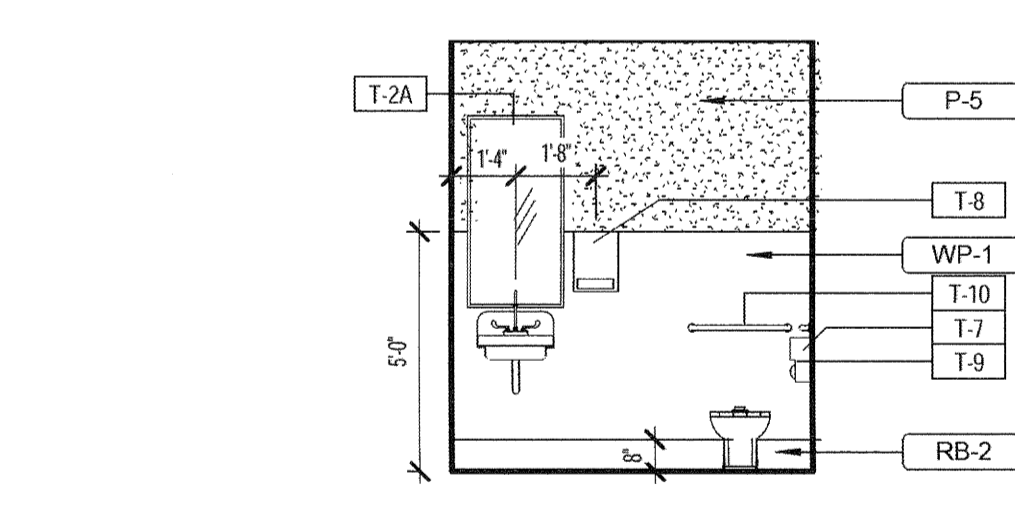
**C1 PATIENT BELONGINGS 20143 - NORTH**  
1/4" = 1'-0"



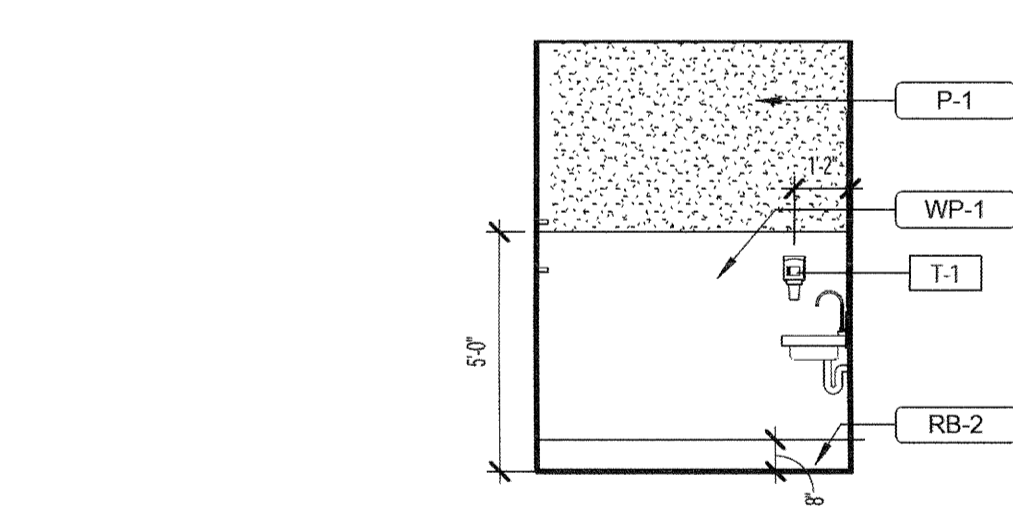
**B6 TOILET STAFF 20146 - WEST**  
1/4" = 1'-0"



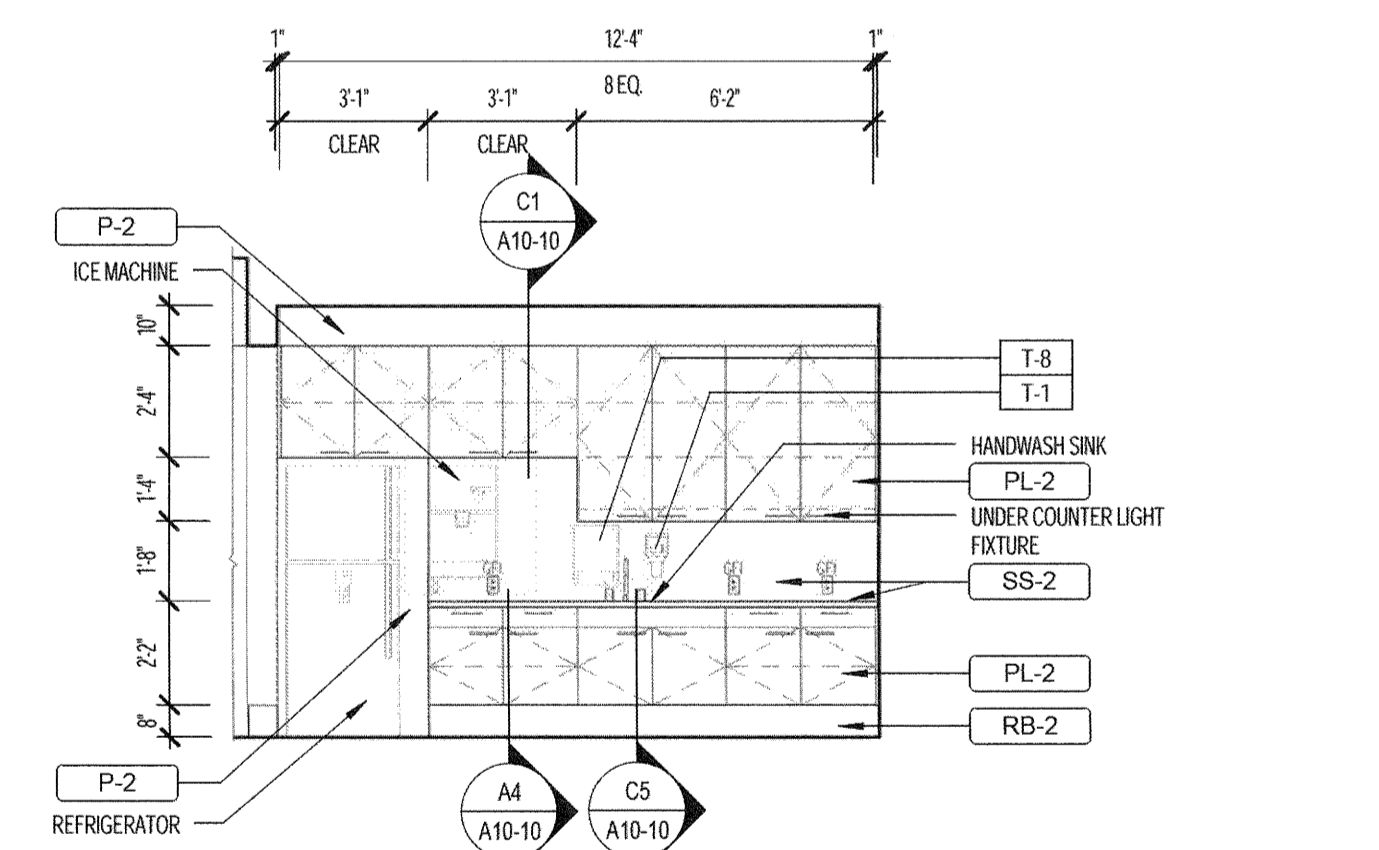
**B5 TOILET STAFF 20146 - SOUTH**  
1/4" = 1'-0"



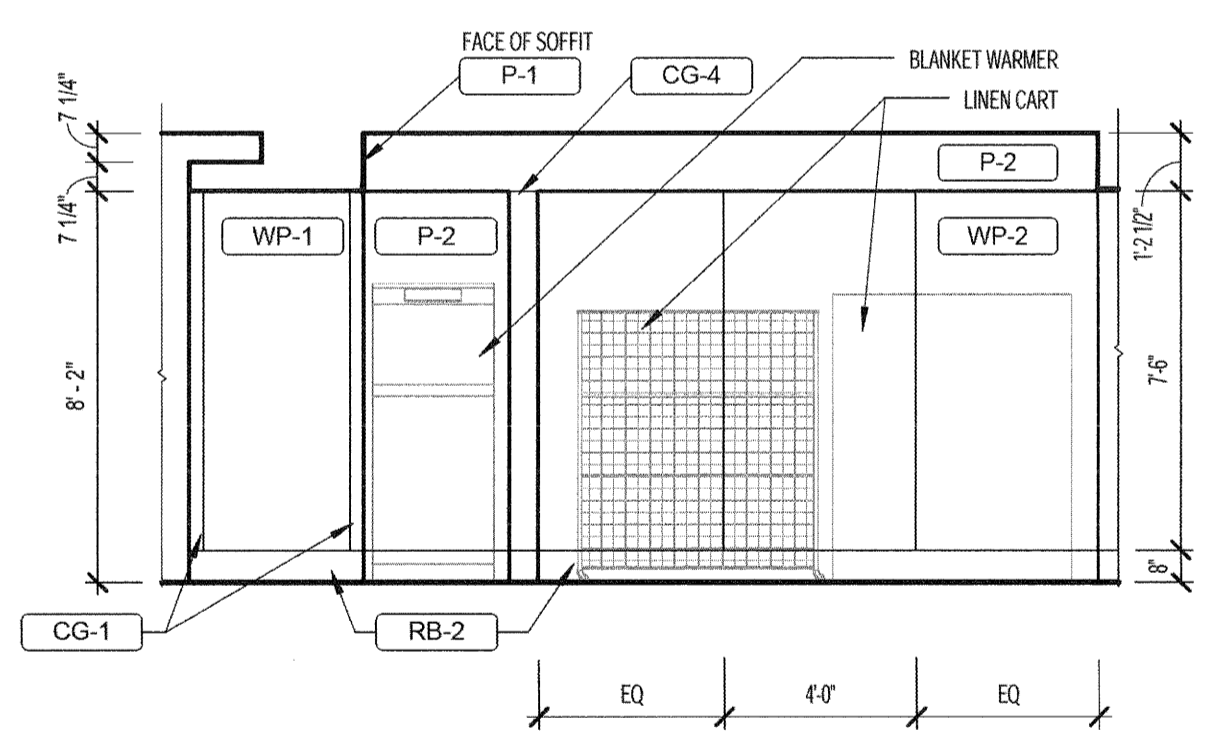
**B4 TOILET STAFF 20146 - EAST**  
1/4" = 1'-0"



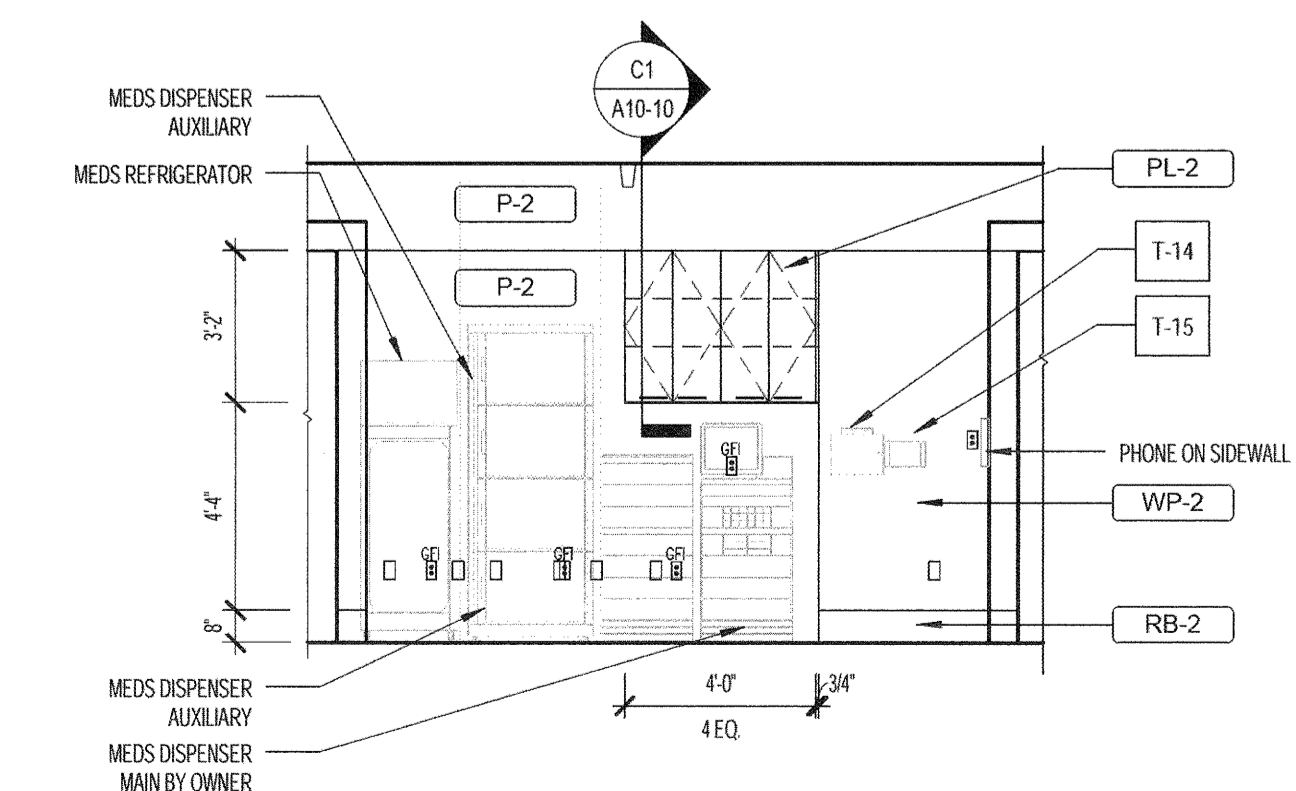
**B3 TOILET STAFF 20146 - NORTH**  
1/4" = 1'-0"



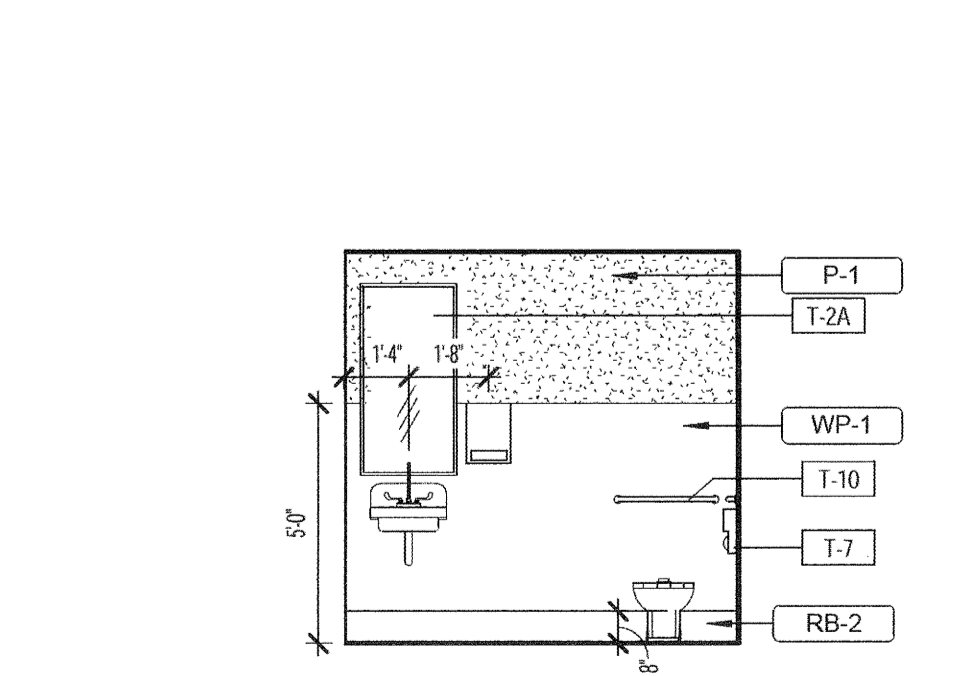
**B2 PACU NOURISH - 20145A - WEST**  
1/4" = 1'-0"



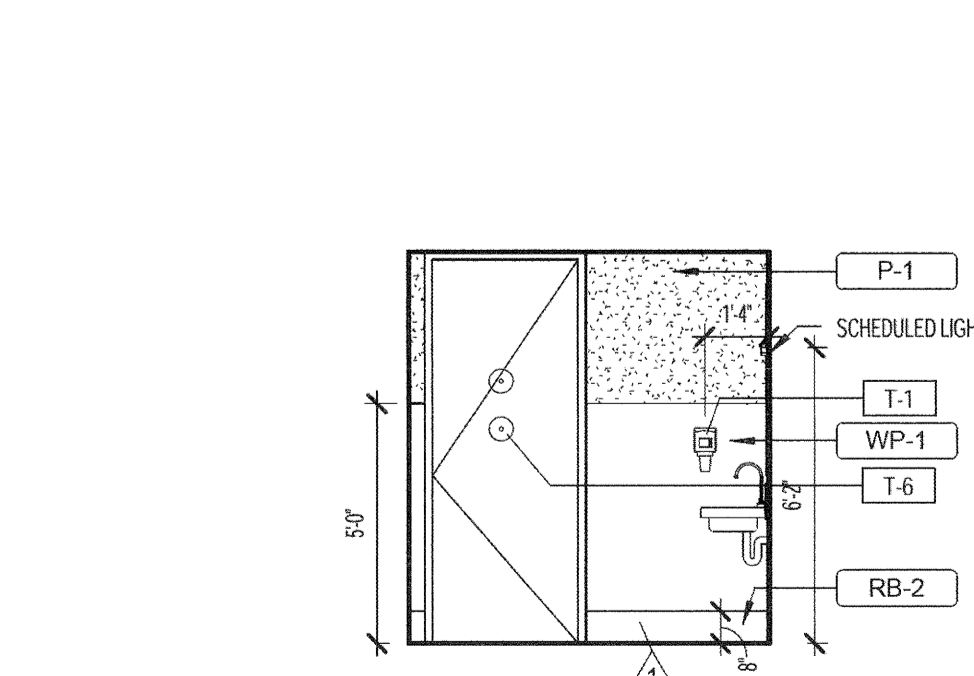
**B1 PACU LINEN SUPPLY 20156 - WEST**  
1/4" = 1'-0"



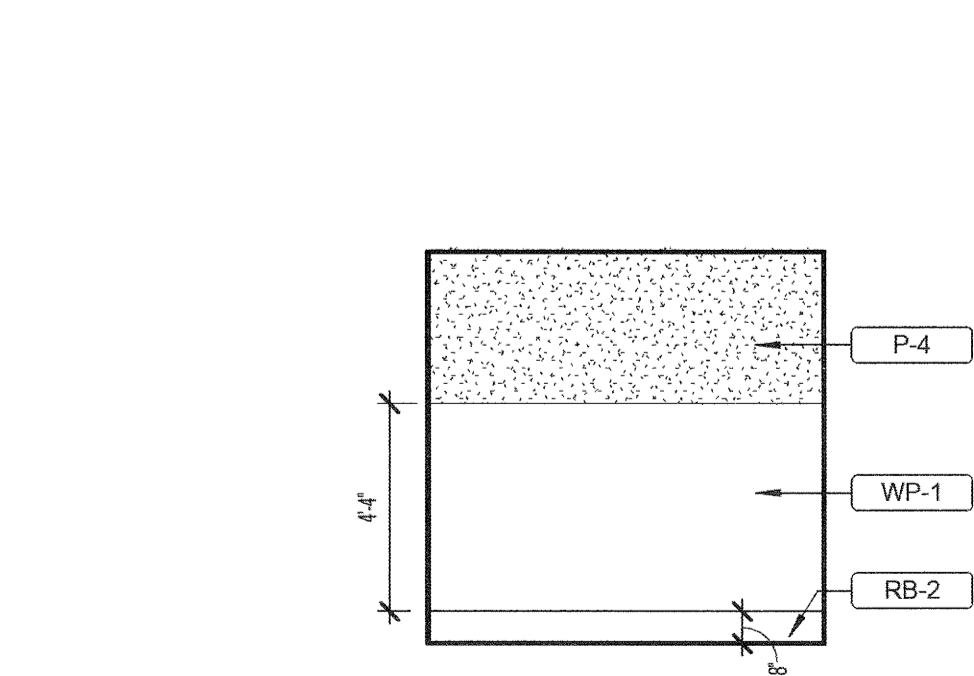
**A6 PACU MED ALCOVE TYP.**  
1/4" = 1'-0"



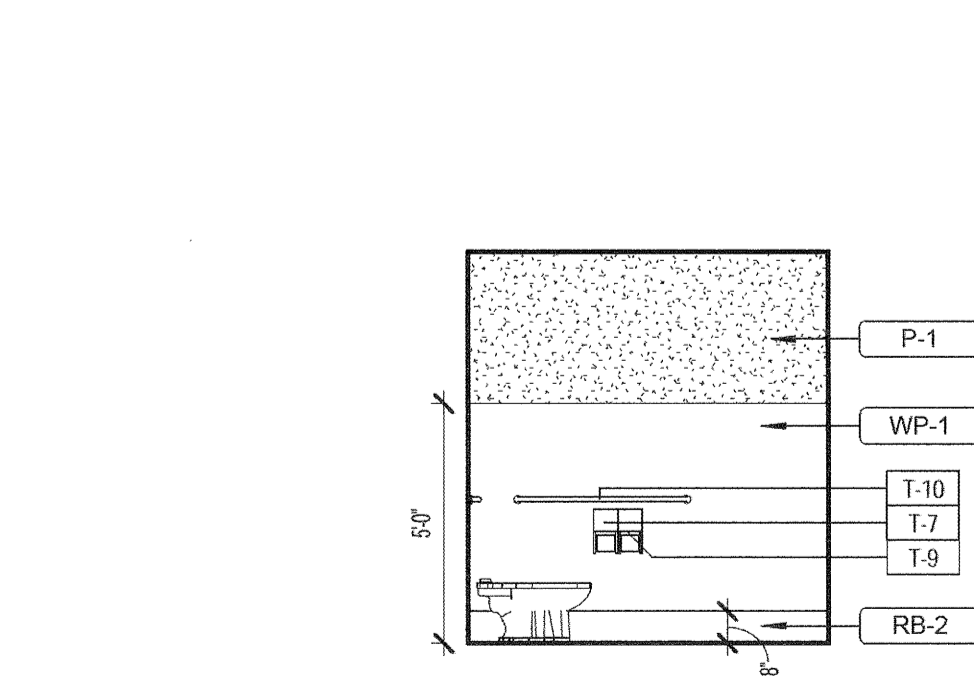
**A5 TOILET PATIENT 20150 - WEST**  
1/4" = 1'-0"



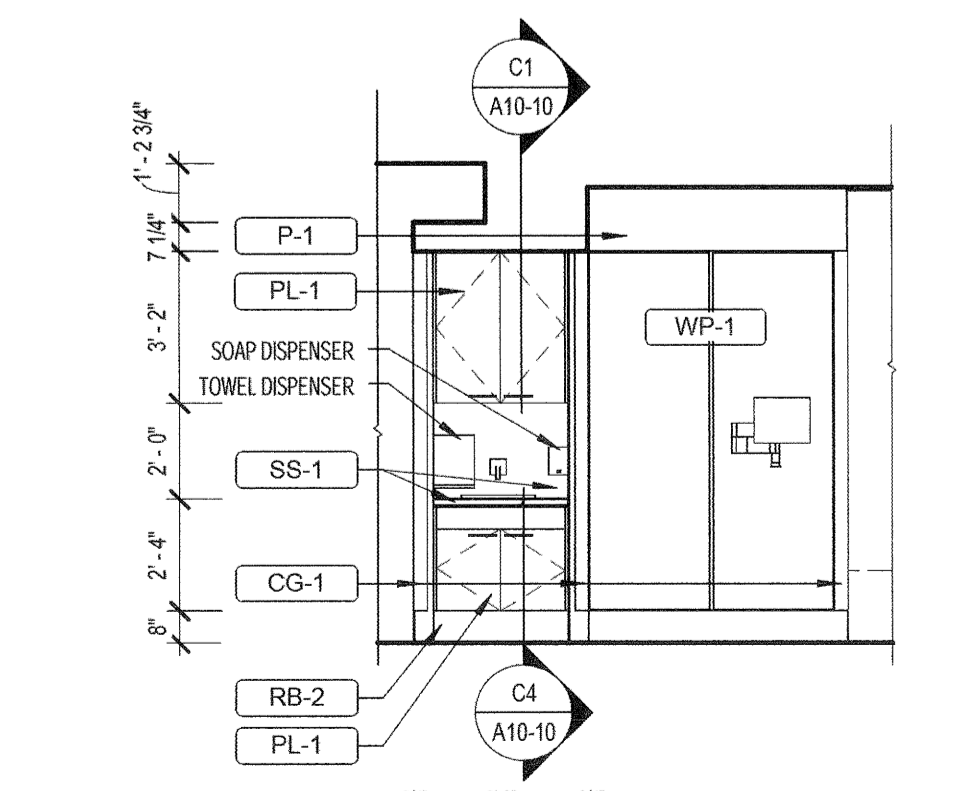
**A4 TOILET PATIENT 20150 - SOUTH**  
1/4" = 1'-0"



**A3 TOILET PATIENT 20133 - EAST**  
1/4" = 1'-0"



**A2 TOILET PATIENT 20150 - NORTH**  
1/4" = 1'-0"



**A1 PACU PASSAGE - WEST**  
1/4" = 1'-0"