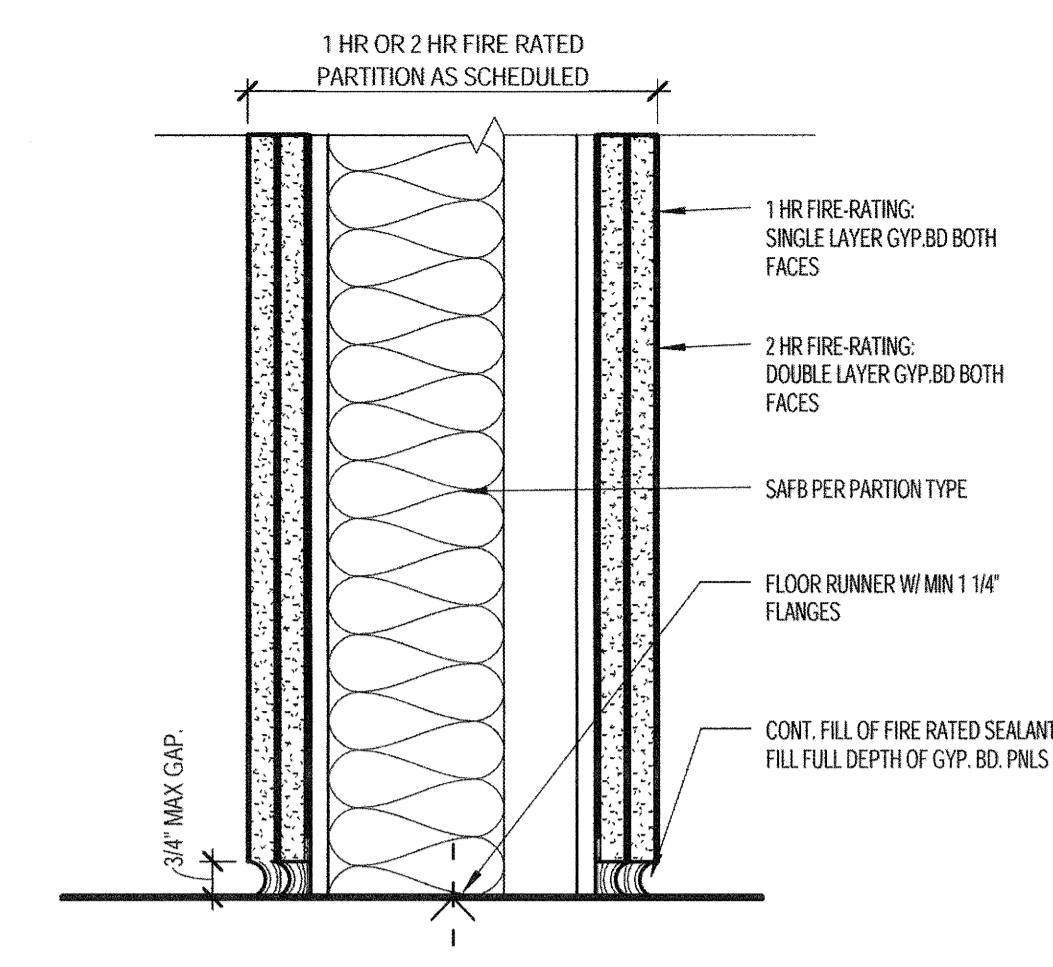
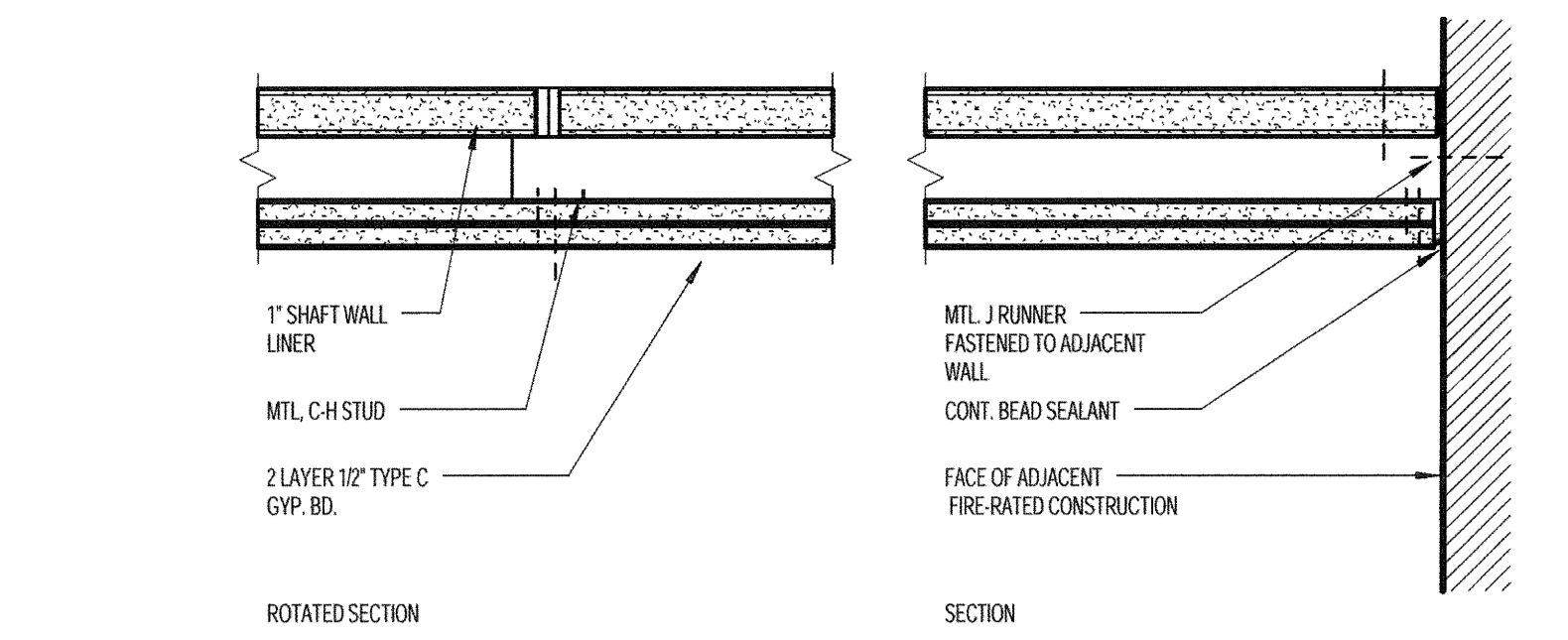


0 1 2

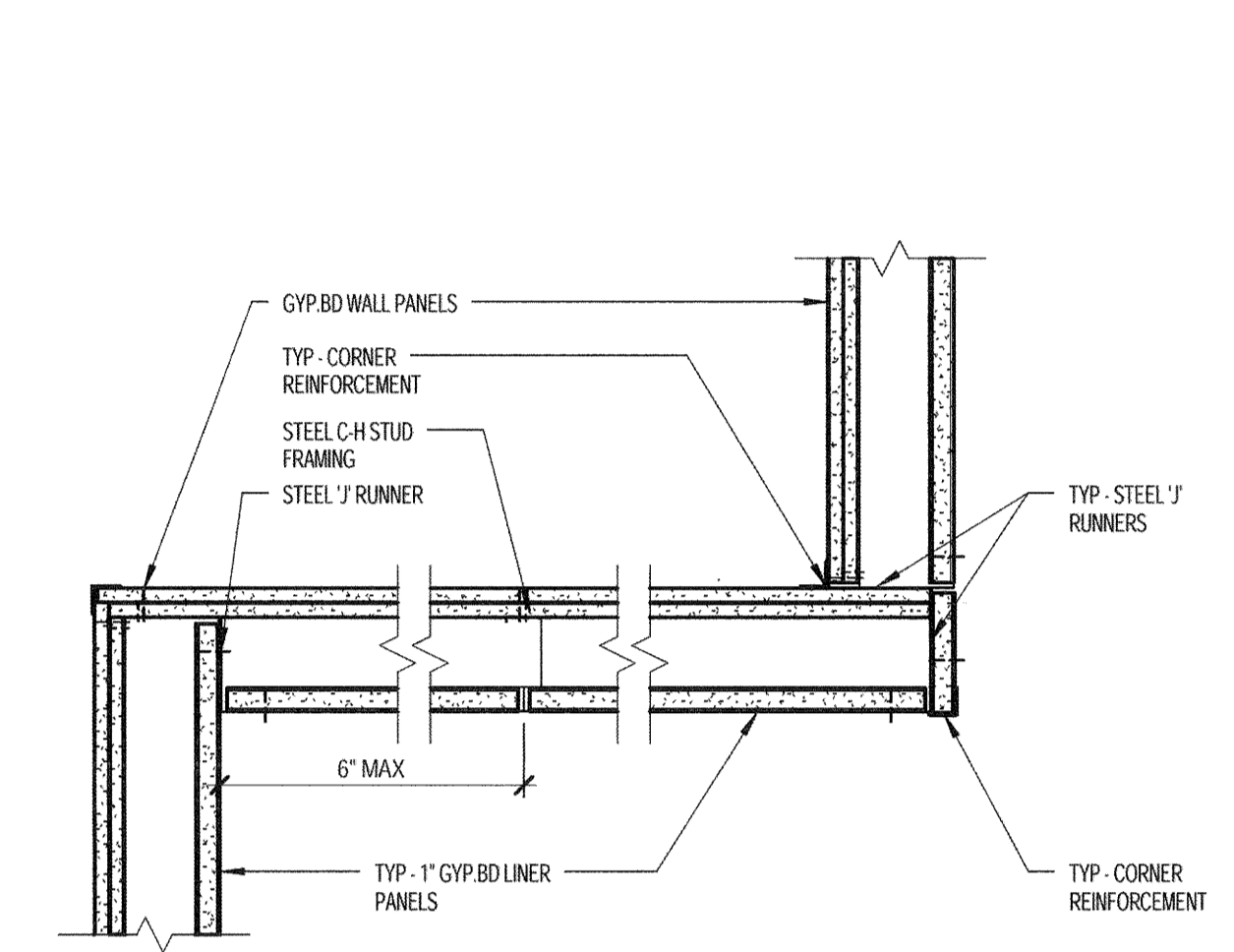


8 FIRE RATED ASSEMBLY BOTTOM OF PARTITION DETAIL
3" = 1'-0" U.L. DESIGN #WS-001

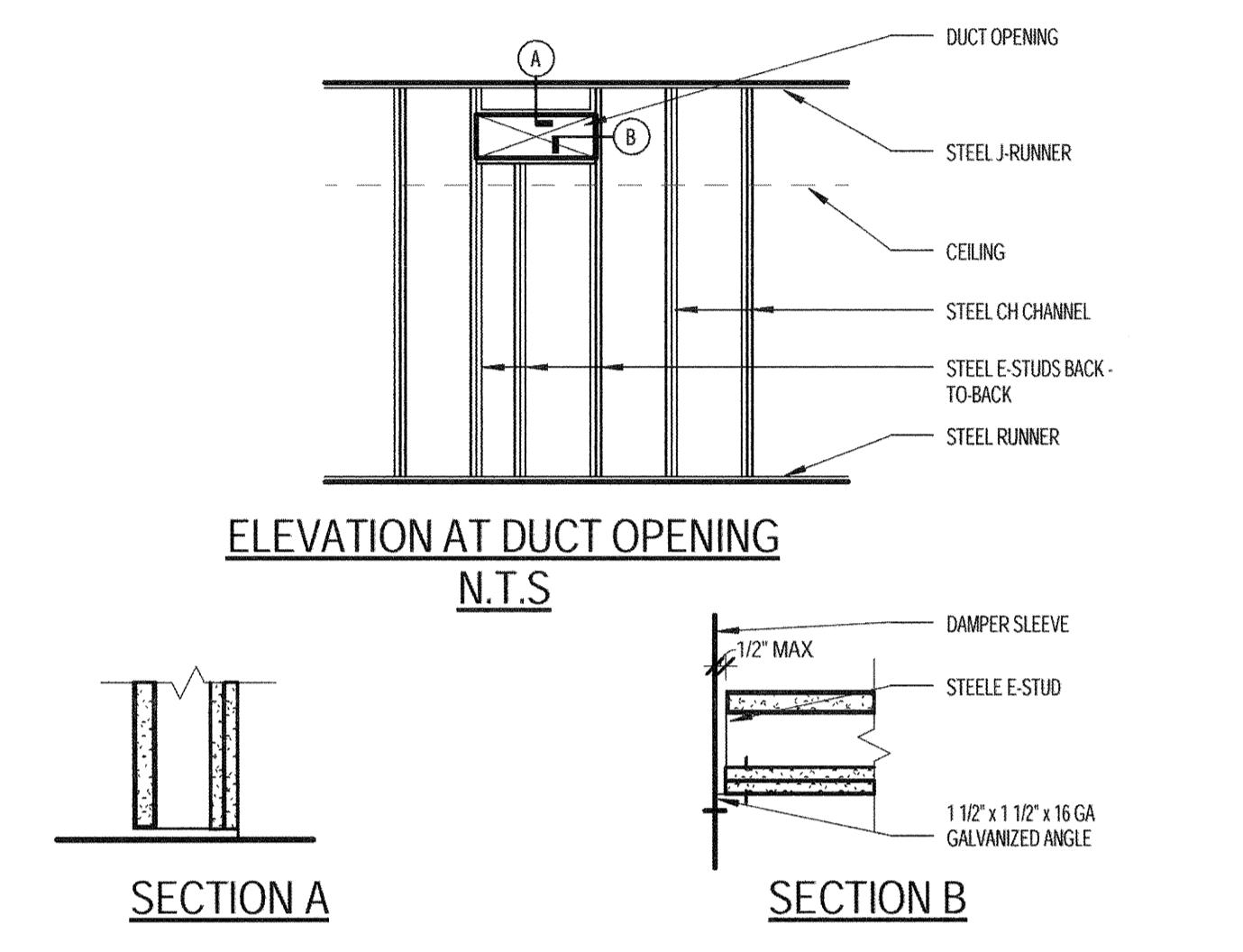


PARTITION TAG	STUD SIZE	STUD GAUGE	STUD SPACING	MAX. HORIZONTAL SPAN LOAD	FIRE RATING TEST NO.	ACOUSTIC PROPERTIES		WALL THK
						STC	INSUL. THK. TEST NO.	
2-1/2\"/>								

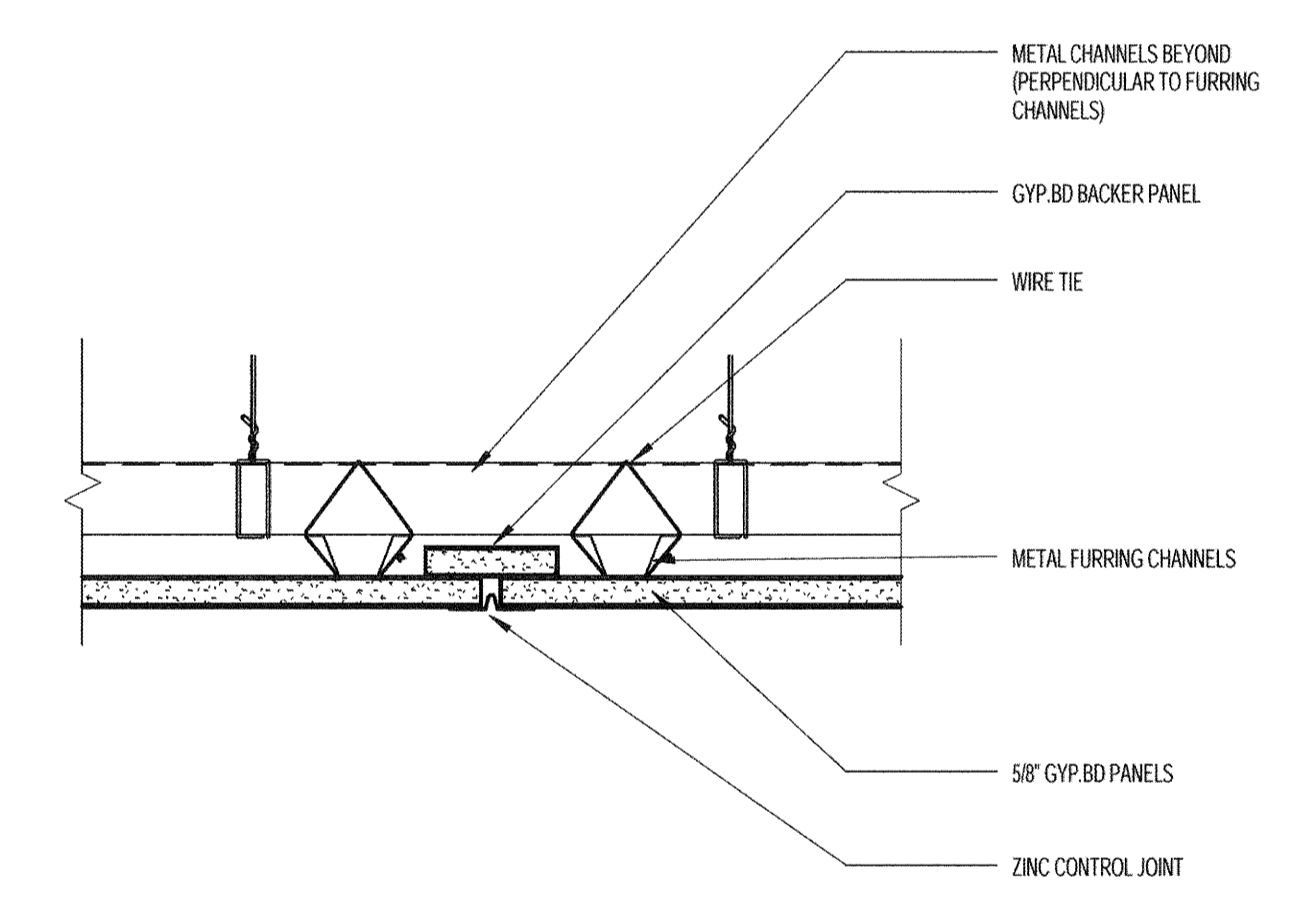
4 2 HR SHAFT WALL CEILING / SOFFIT
3" = 1'-0"



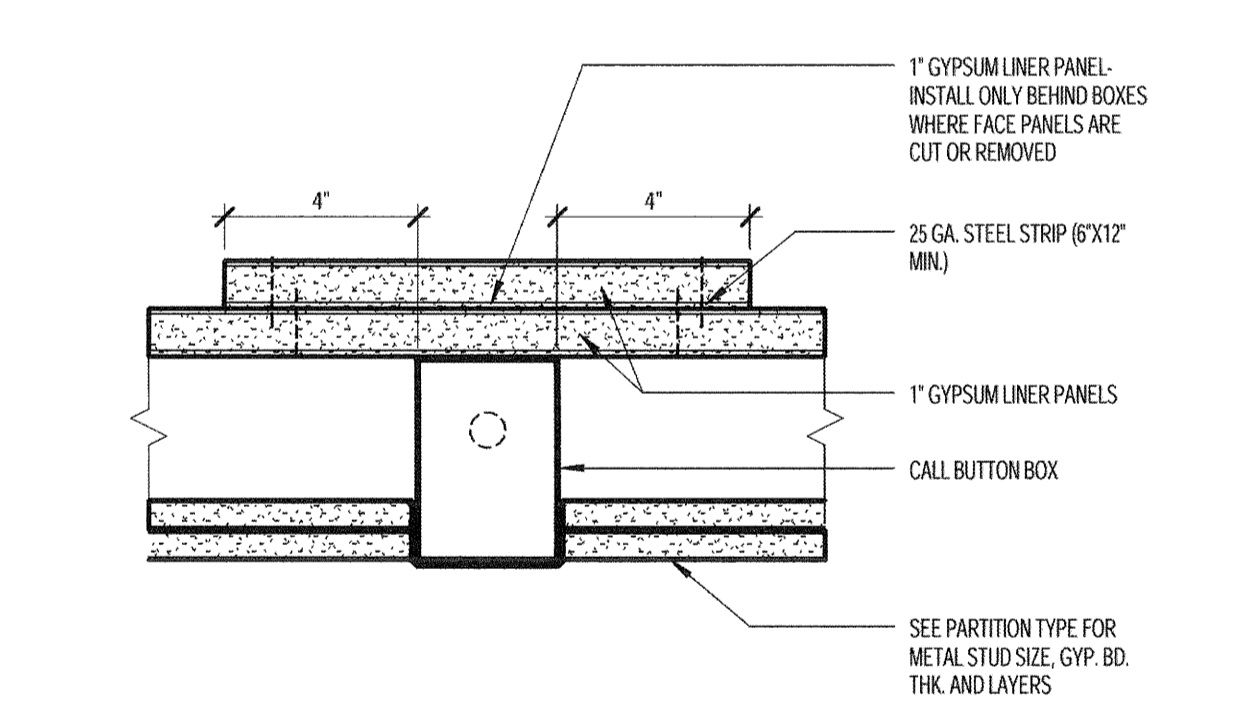
7 CORNER CONFIGURATIONS AT SHAFT WALL PTN FRAMING
1 1/2" = 1'-0"



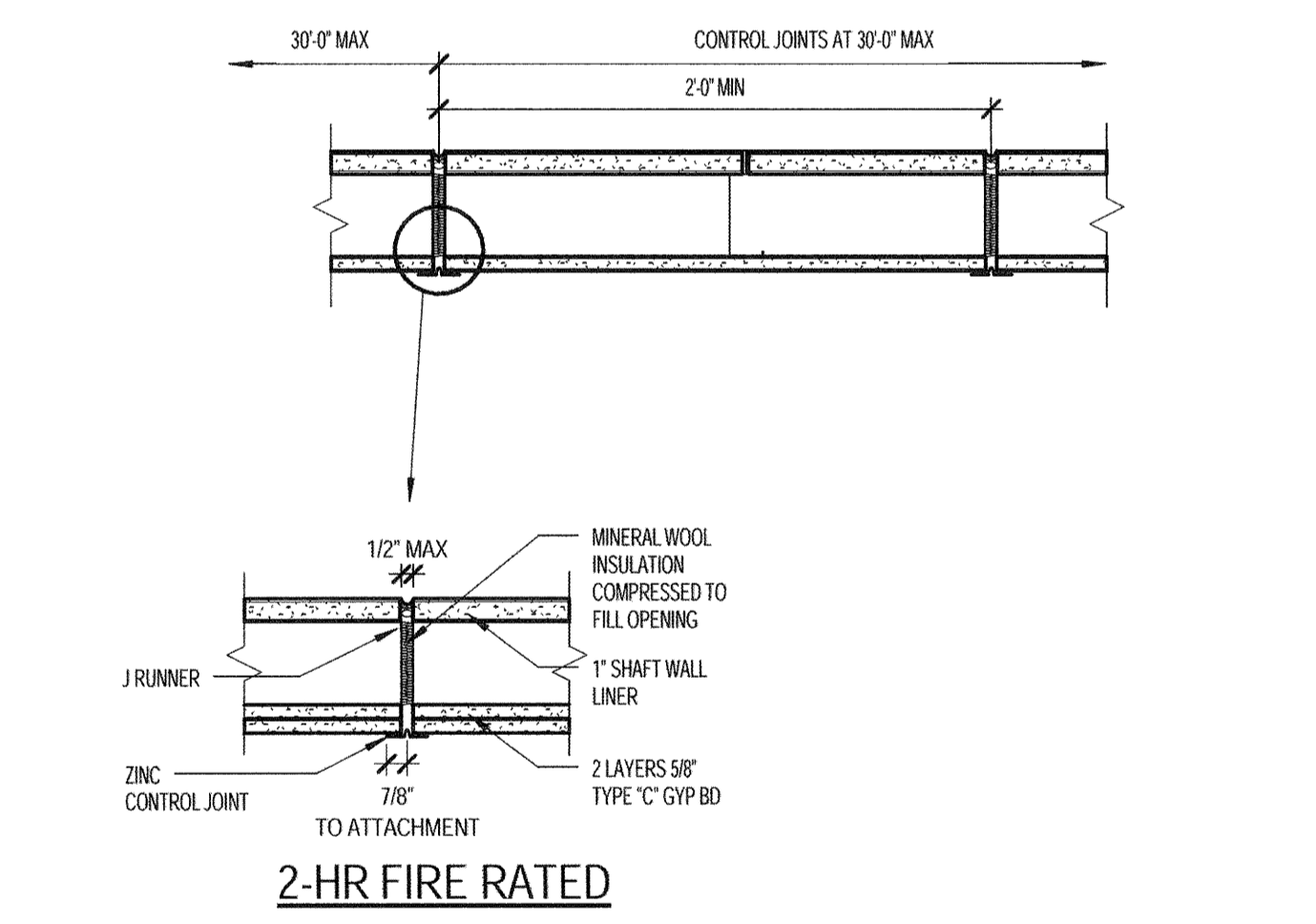
3 SHAFT WALL PARTITION CONTROL JOINT DETAILS
1 1/2" = 1'-0"



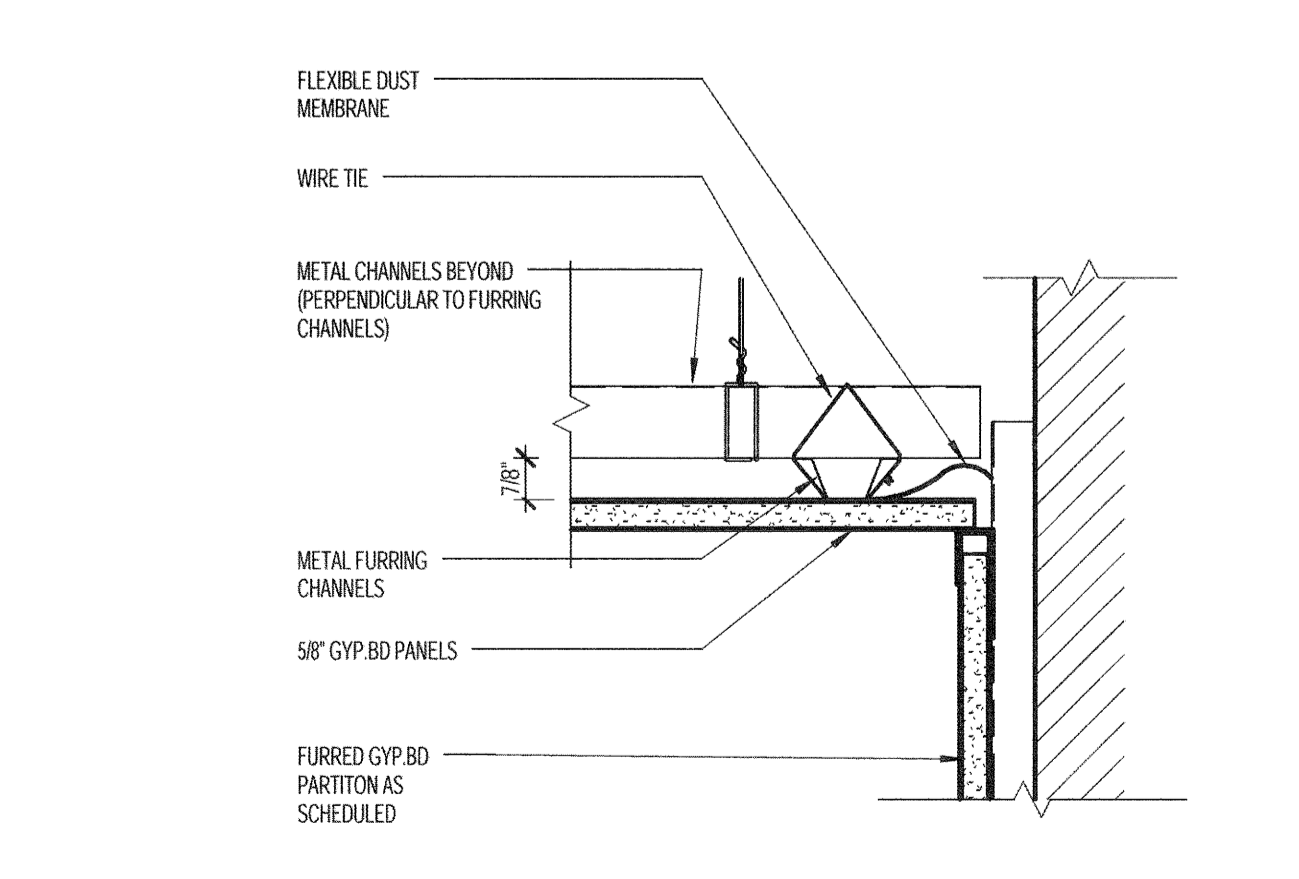
10 CONTROL JOINT DETAIL STL. FRAMED GYP. BD CEILING
3" = 1'-0"



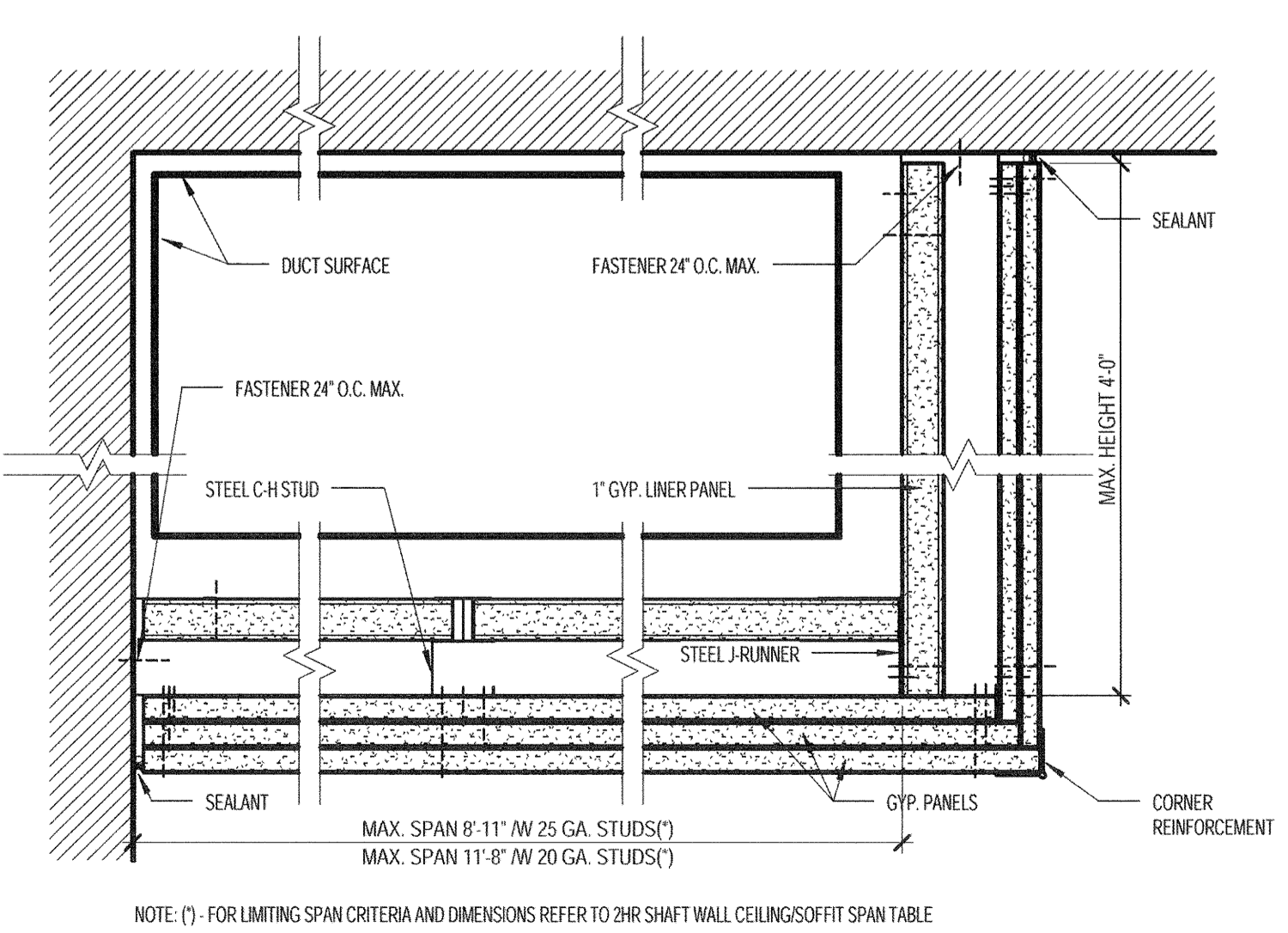
6 CALL BUTTON PLAN DETAIL
3" = 1'-0"



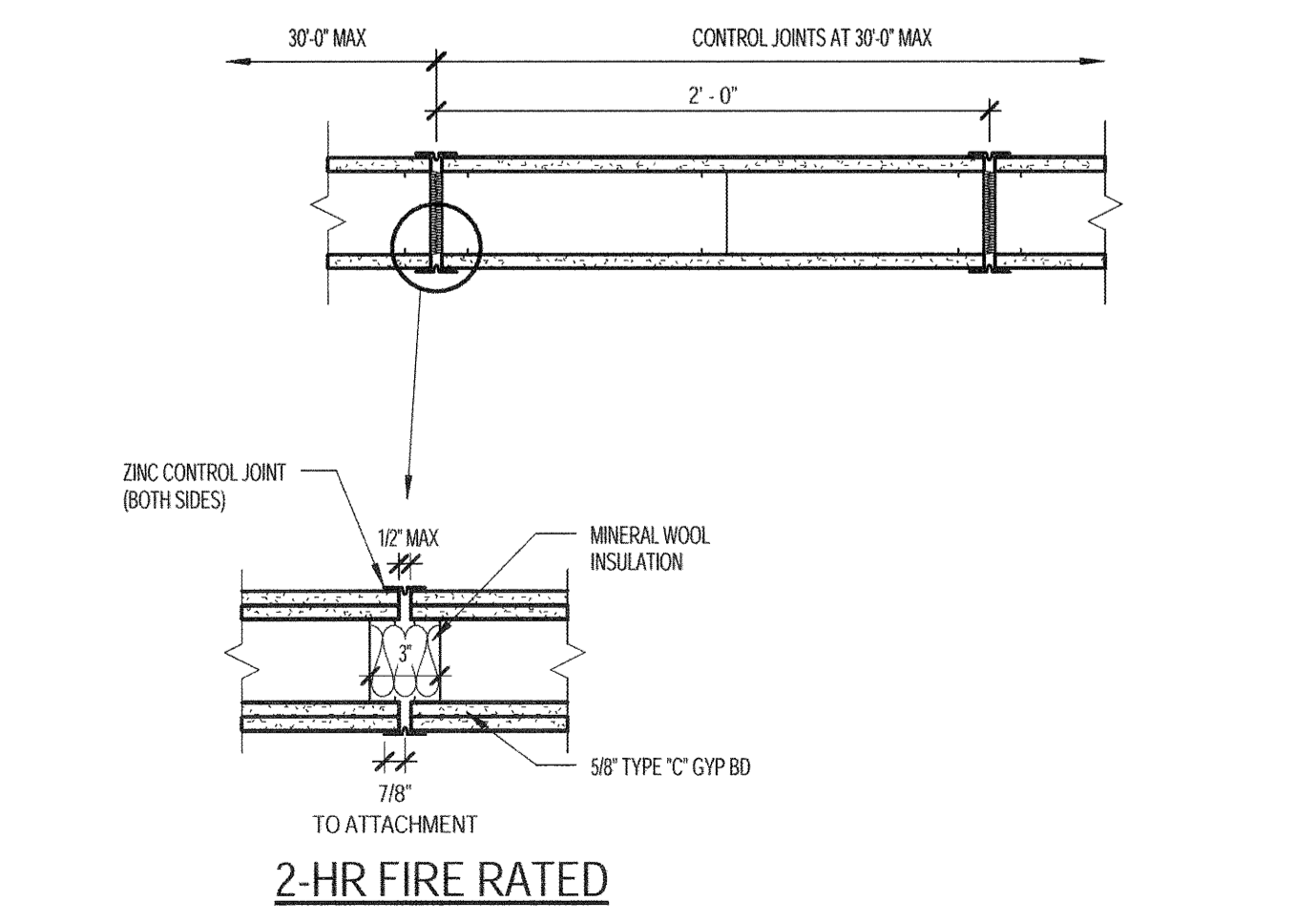
2 SHAFT WALL PARTITION CONTROL JOINT DETAILS
1 1/2" = 1'-0"



9 PERIMETER EDGE DETAIL STL FRAMED GYP. BD CEILING
3" = 1'-0"



5 2 HR FIRE-RATED METAL DUCT ENCLOSURE
3" = 1'-0"



1 GYP. BD PARTITION CONTROL JOINT DETAILS
1 1/2" = 1'-0"

PERKINS + WILL
225 Franklin St., Suite 1100
Boston, MA 02110
1.617.438.0300
1.617.478.0321
www.perkinswill.com

Maine Medical Center
MaineHealth

Bean 2 Roof Addition
22 Bramhall Street, Portland, Maine 04102

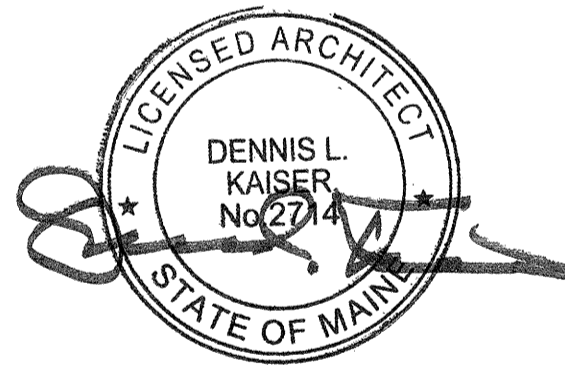
MEP ENGINEER
AKF ENGINEERS
41 Farnsworth Street, 3rd Floor
Boston, MA 02210
1.617.237.1111
1.617.237.4311

STRUCTURAL ENGINEER
SIMPSON GUMPERTZ & HEGER
41 Seyon Street, Building 1, Suite 500
Waltham, MA 02453
1.781.907.9000
1.781.907.9009

MEDICAL EQUIPMENT PLANNERS
RTKL ASSOCIATES INC.
1717 PACIFIC AVENUE
DALLAS, TX 75201
1.214.468.7600
1.214.468.7601

COST ESTIMATOR
DG JONES & PARTNERS
3 Baldwin Green Common, Suite 202
Woburn, MA 01801
1.781.932.3131
1.781.932.3199

CONSTRUCTION DOCUMENTS



Revisions

NO.	ISSUE	DATE

Issued for Permit 02/07/2014

Sheet Information
Date: SEPTEMBER 10, 2013
Job #: C140135461 (MMCJ) 152168.000
Drawn: Author
Checked: Checker
Approved: Approver

Title

GYPSUM MISC DETAILS

Sheet
A00-43

Copyright © 2011 Perkins+Will

2/25/2014 5:18:24 PM
c:\temp\MMC_NEW_BEAN2_ARCH_kellman\p1