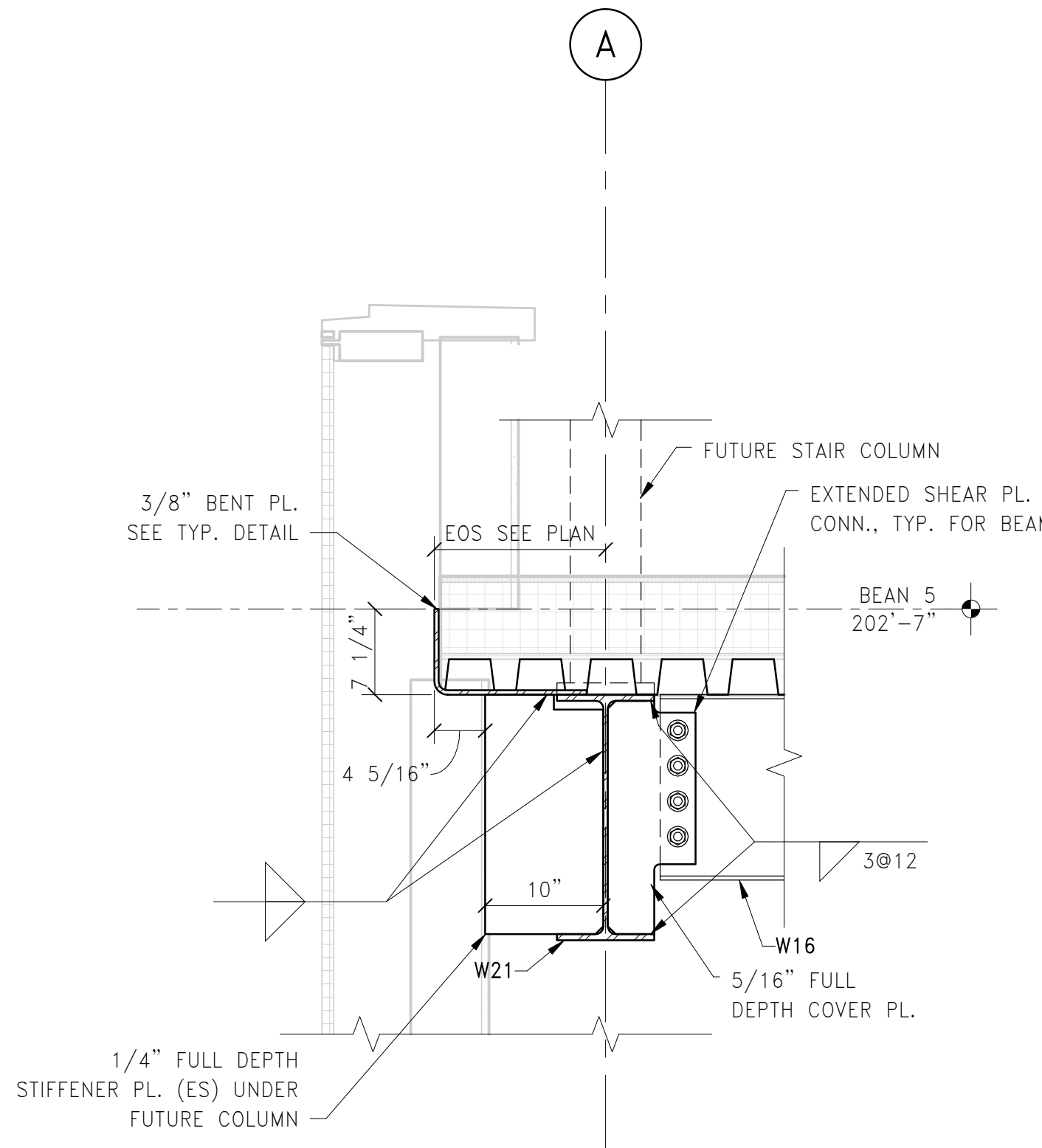
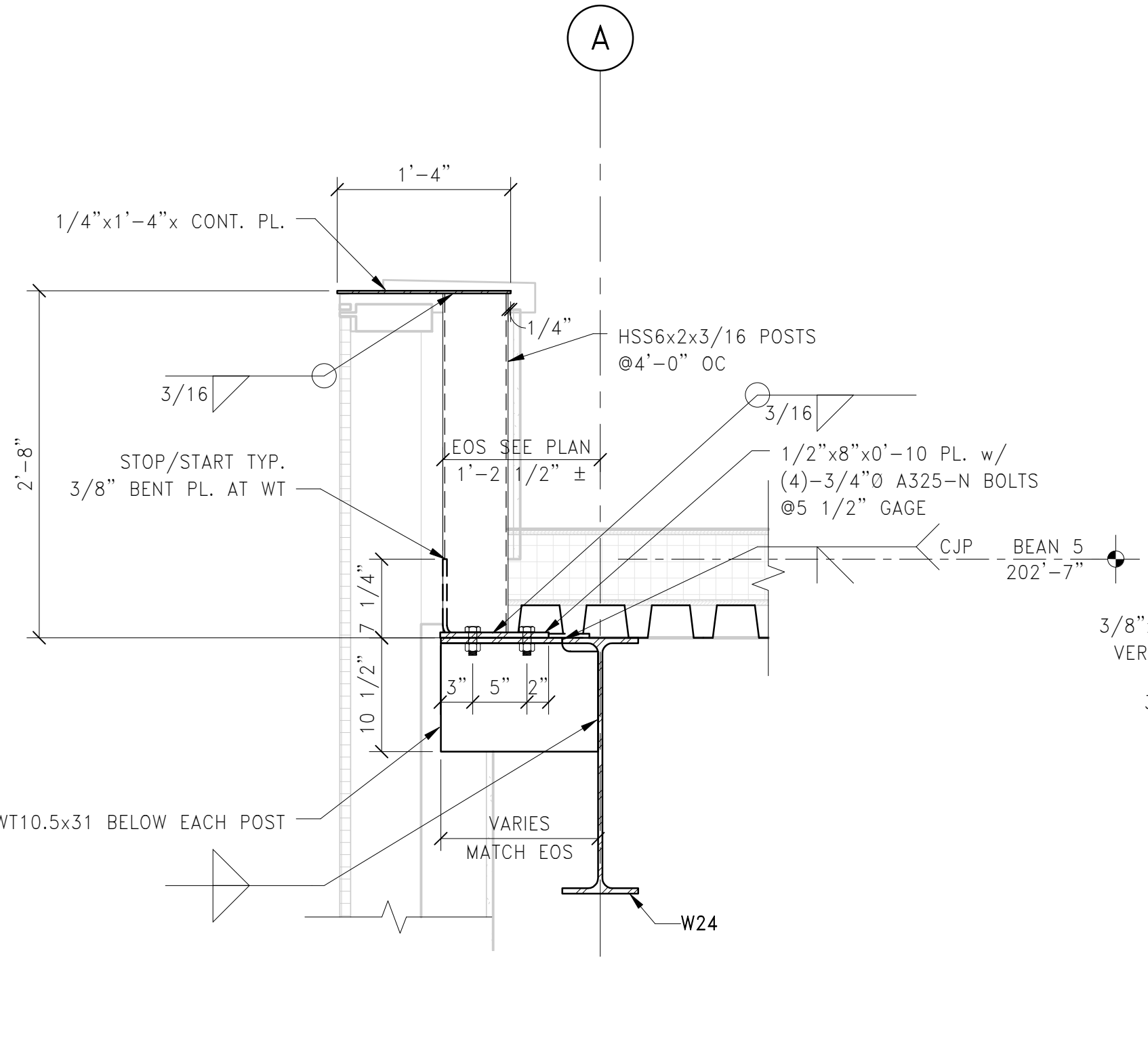


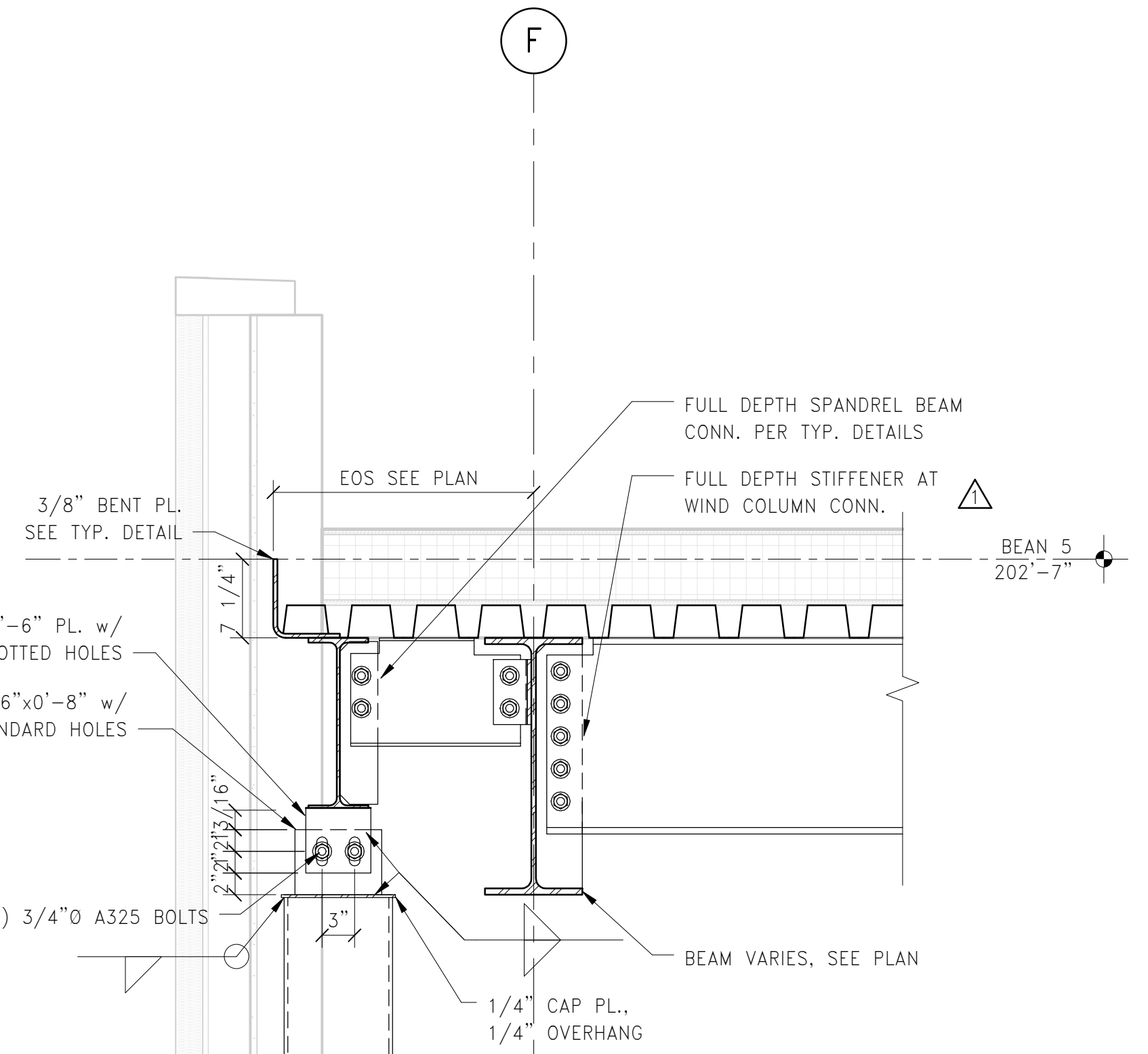
1 SECTION: AREAWAY NORTH WALL
S07-03 1" = 1'-0"



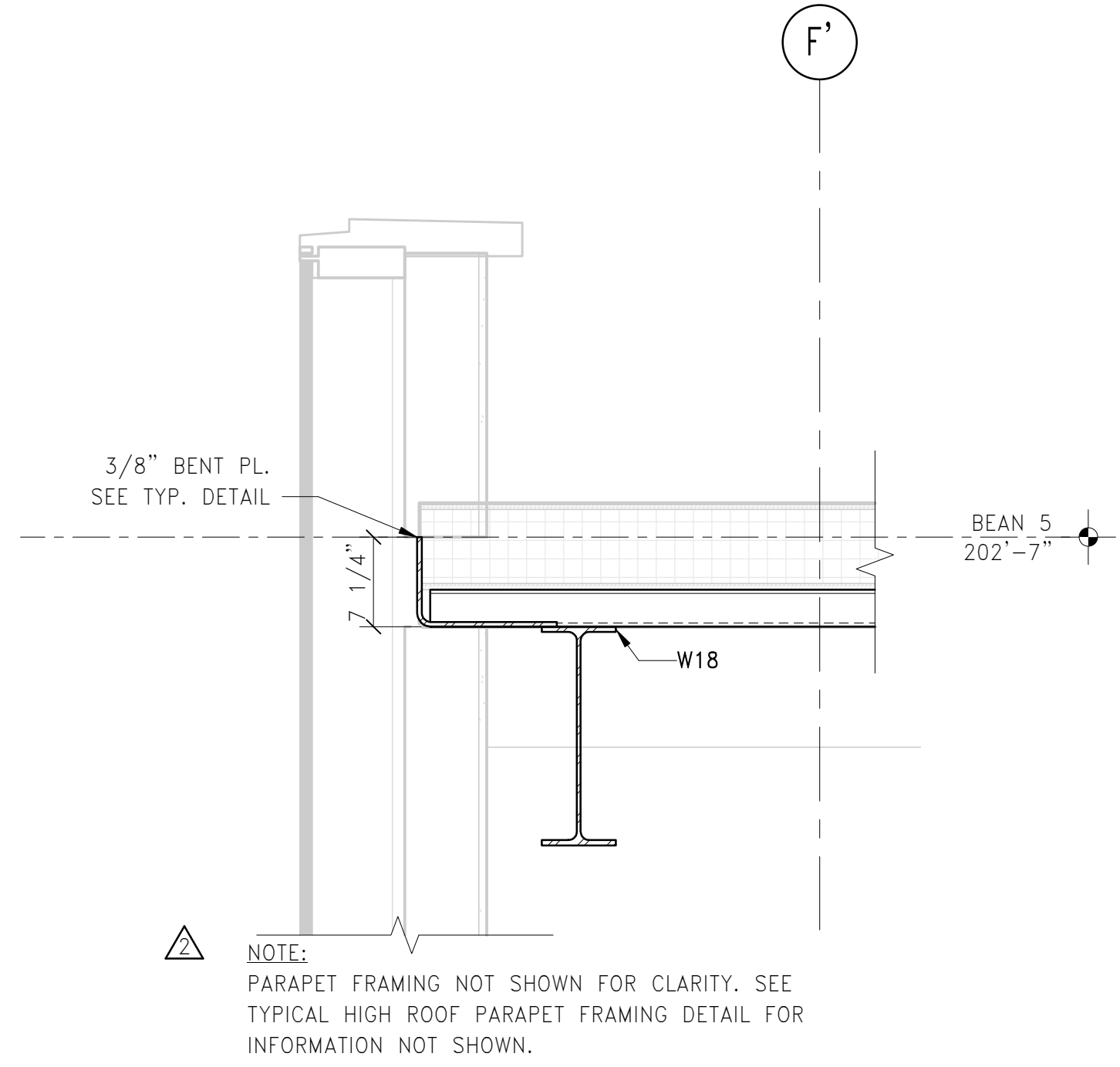
2 SECTION: AREAWAY NORTH WALL FUTURE COLUMN
S07-03 1" = 1'-0"



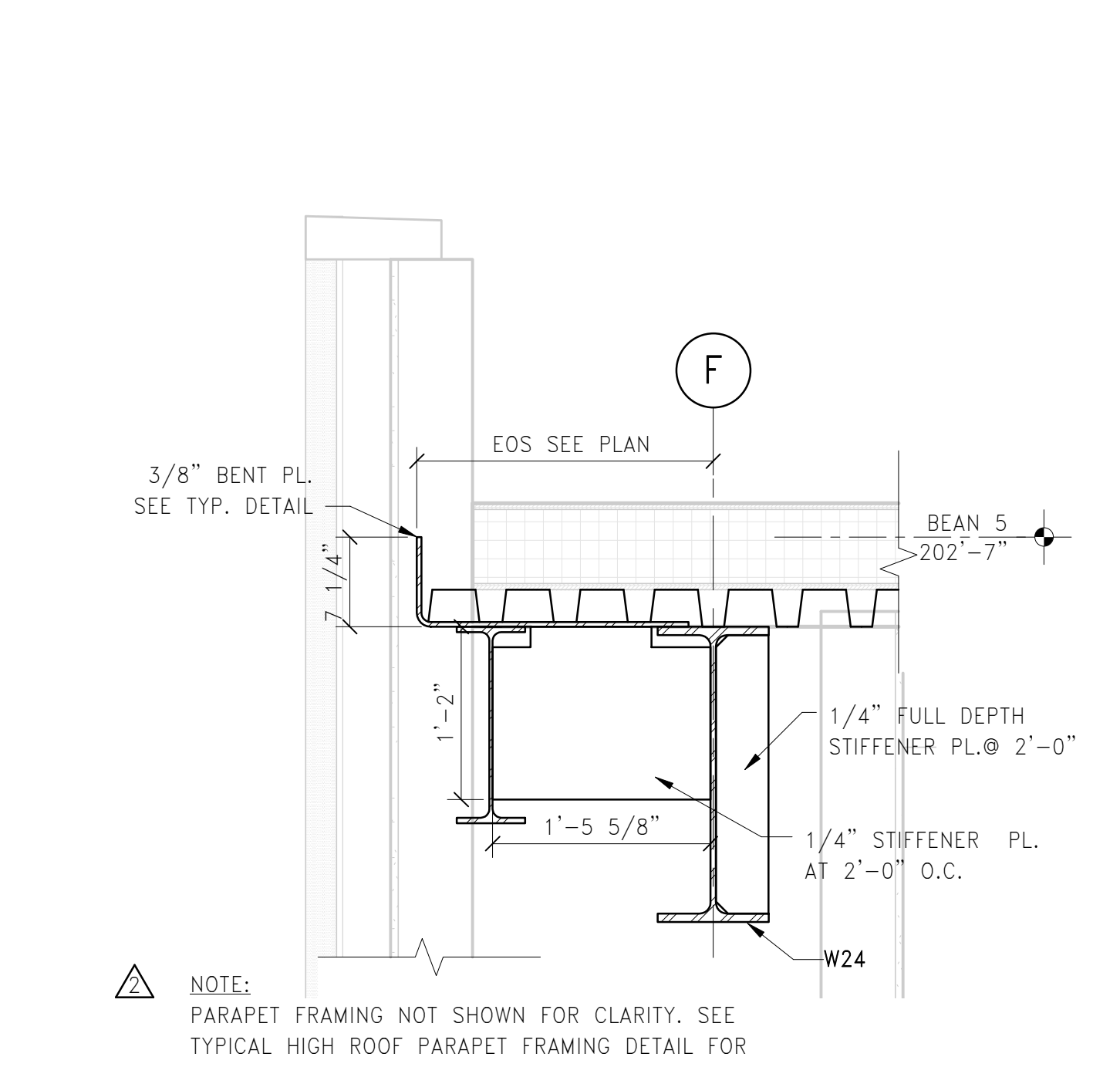
3 SECTION: TYPICAL HIGH ROOF PARAPET FRAMING
S07-03 1" = 1'-0"



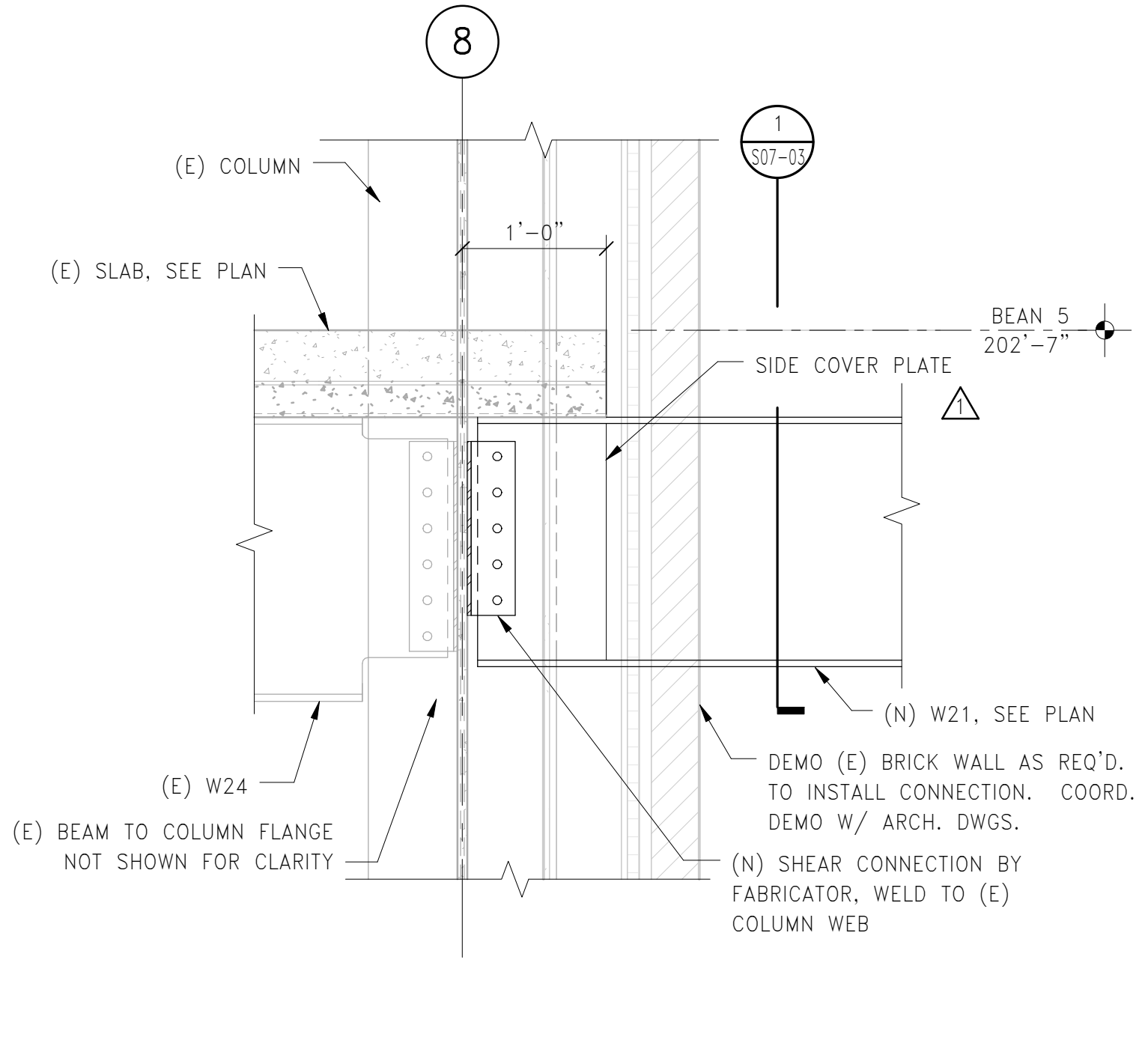
4 SECTION: WIND COLUMN TOP CONN.
S07-03 1" = 1'-0"



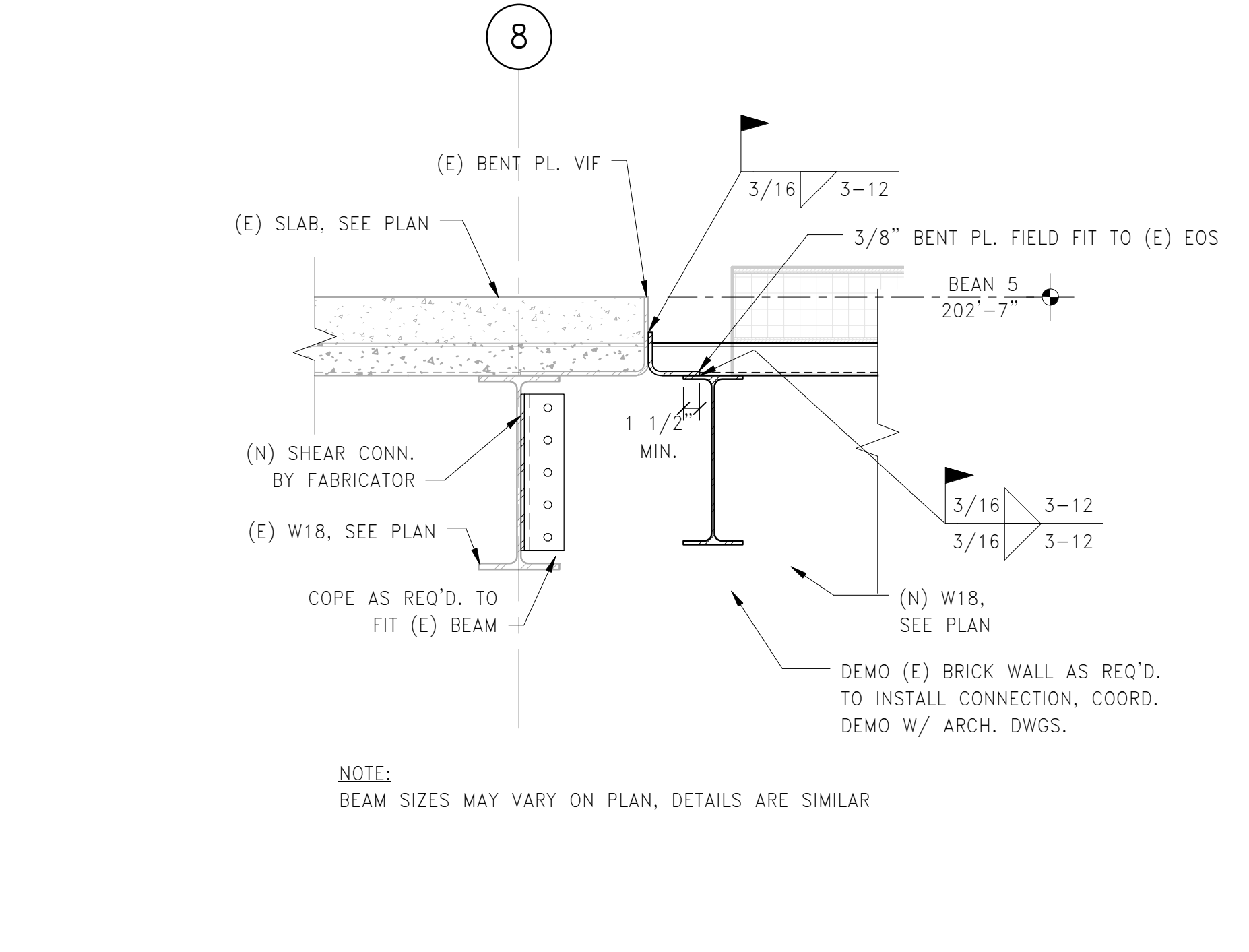
5 SECTION: EAST WALL SKEWED ROOF EDGE
S07-03 1" = 1'-0"



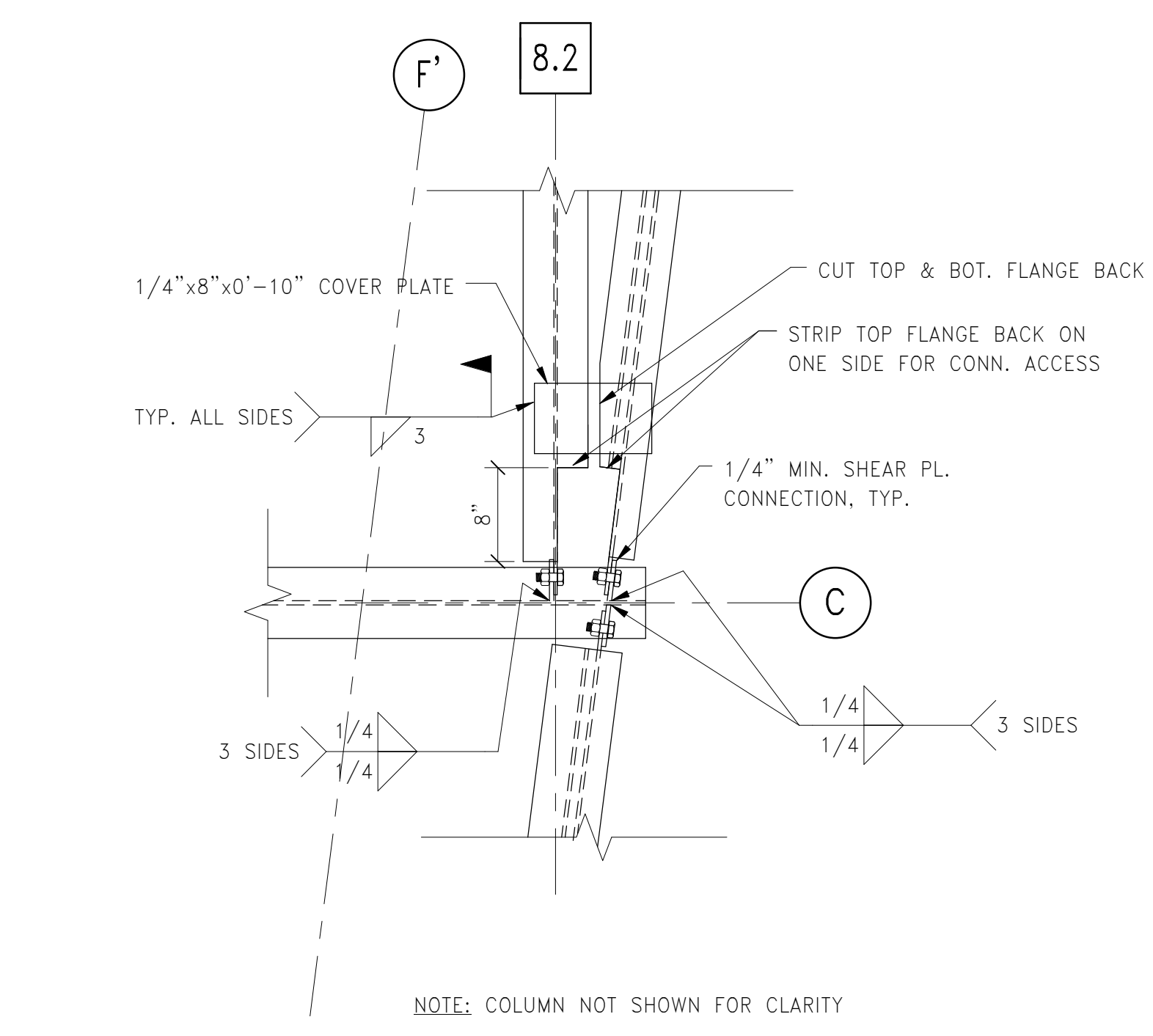
6 SECTION: SOUTH WALL ROOF EDGE
S07-03 1" = 1'-0"



7 (N) BEAM TO (E) COL CONN. AT BEAN 5
S07-03 1" = 1'-0"



8 SECTION: ROOF DECK CONNECTION TO (E) SLAB
S07-03 1" = 1'-0"



9 PLAN DETAIL: BEAM 05 BEAM CONN.
S07-03 1" = 1'-0"

PERKINS + WILL
225 Franklin St., Suite 1100
Boston, MA 02110
1 617 478 0000
1 617 478 0321
www.perkinswill.com

Maine Medical Center
MaineHealth

Bean 2 Roof Addition
22 Bramhall Street, Portland,
Maine 04102

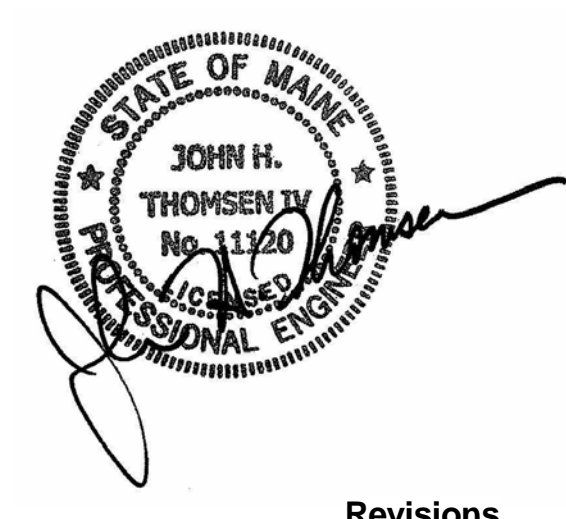
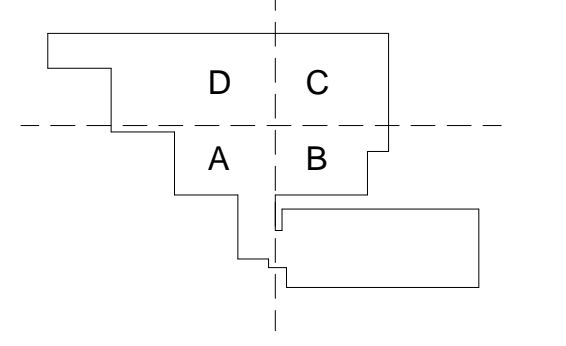
MEP ENGINEER
AKF ENGINEERS
41 Farnsworth Street, 3rd Floor
Boston, MA 02210
1 617 737 1111
1 617 737 4311

STRUCTURAL ENGINEER
SIMPSON GUMPERTZ & HEGER
41 Seyon Street, Building 1, Suite 500
Waltham, MA 02453
1 781 907 9000
SGH Project No. 100439.09

MEDICAL EQUIPMENT PLANNERS
RTKL ASSOCIATES INC.
1717 PACIFIC AVENUE
DALLAS, TX 75201
1 214 468 7000
1 214 468 7601

COST ESTIMATOR
DG JONES & PARTNERS
3 Baldwin Green Common, Suite 202
Woburn, MA 01801
1 781 932 3131
1 781 932 3199

CONSTRUCTION DOCUMENTS
06.14.2013



Revisions

ISSUED FOR PERMIT	02/07/14
2 ADDENDUM #3	01/17/14
1 ADDENDUM #1	06/14/13
NO ISSUE	DATE
Sheet Information	
Date	12 APRIL 2013
Job #	C140135461(MMC)152168.000
Drawn	BMT/SWW
Checked	MJB
Approved	JHT
Title	

STEEL DETAILS - LEVEL 05 ROOF

Sheet
S07-03

2/7/2014 3:44:15 PM I:\BOS\Projects\2010\0049\08-2065\Drawings\Working_Seri... Revit\LOCAL USERS\MJL\Bos\Bos\BEAN_2_NEW_STRUC_A.MXD