

Bean 2nd Addition
22 Bramhall Street, Portland,
Maine 04102

MEP ENGINEER
AKF ENGINEERS

41 Farnsworth Street, 3rd Floor
Boston, MA 02210
1 617 737 1111
1 617 737 4311

STRUCTURAL ENGINEER
**SIMPSON GUMPERTZ &
HEGER**

41 Seyon Street, Building 1, Suite 500
Walham, MA 02453
1 781 907 9000
SGH Project No. 100439.09

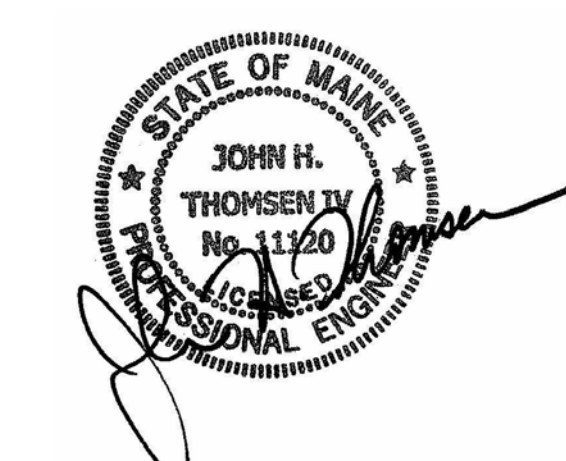
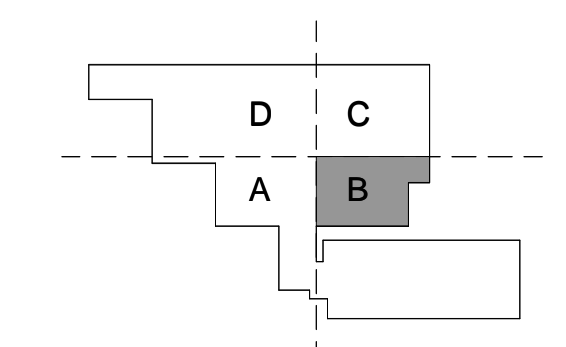
MEDICAL EQUIPMENT PLANNERS
RTKL ASSOCIATES INC.

1717 PACIFIC AVENUE
DALLAS, TX 75201
1 214 468 7000
1 214 468 7601

COST ESTIMATOR
DG JONES & PARTNERS

3 Baldwin Green Common, Suite 202
Woburn, MA 01801
1 781 932 3131
1 781 932 3199

**CONSTRUCTION
DOCUMENTS**
06.14.2013



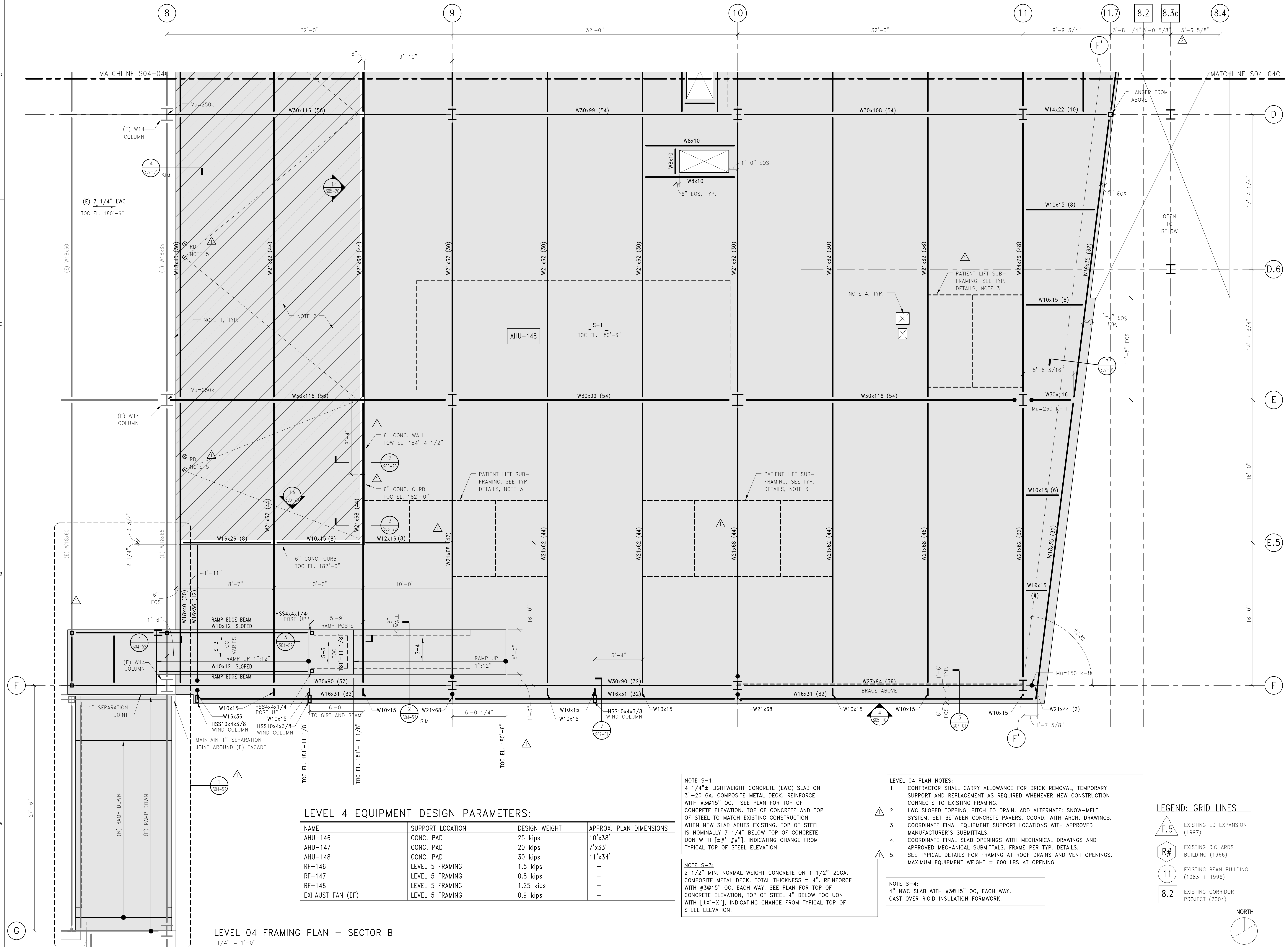
Revisions

Sheet Information	
Date	12 APRIL 2013
Job #	C140135461(MMC)152168.000
Drawn	BMT/SWW
Checked	MJB
Approved	JHT
Title	LEVEL 04 FRAMING PLAN - SECTOR B

ISSUED FOR PERMIT	
RFI COORD (3.4)	01/30/14
ADDENDUM #3	01/17/14
ADDENDUM #1	06/14/13
ISSUE	DATE

LEGEND: GRID LINES	
F.5	EXISTING ED EXPANSION (1997)
R#	EXISTING RICHARDS BUILDING (1966)
11	EXISTING BEAN BUILDING (1983 + 1996)
8.2	EXISTING CORRIDOR PROJECT (2004)

Sheet
S04-04B
Copyright © 2011 Perkins+Will



LEVEL 4 EQUIPMENT DESIGN PARAMETERS:			
NAME	SUPPORT LOCATION	DESIGN WEIGHT	APPROX. PLAN DIMENSIONS
AHU-146	CONC. PAD	25 kips	10'x38'
AHU-147	CONC. PAD	20 kips	7'x33'
AHU-148	CONC. PAD	30 kips	11'x34'
RF-146	LEVEL 5 FRAMING	1.5 kips	-
RF-147	LEVEL 5 FRAMING	0.8 kips	-
RF-148	LEVEL 5 FRAMING	1.25 kips	-
EXHAUST FAN (Ef)	LEVEL 5 FRAMING	0.9 kips	-

NOTE S-1:
4 1/4" ± LIGHTWEIGHT CONCRETE (LWC) SLAB ON 3"-20 GA. COMPOSITE METAL DECK. REINFORCE WITH #3@15" OC. SEE PLAN FOR TOP OF CONCRETE ELEVATION. TOP OF CONCRETE AND TOP OF STEEL TO MATCH EXISTING CONSTRUCTION WHEN NEW SLAB ABUTS EXISTING. TOP OF STEEL IS NOMINALLY 7 1/4" BELOW TOP OF CONCRETE UNLESS INDICATED OTHERWISE.

NOTE S-3:
2 1/2" MIN. NORMAL WEIGHT CONCRETE ON 1 1/2"-20GA. COMPOSITE METAL DECK. TOTAL THICKNESS = 4". REINFORCE WITH #3@15" OC. EACH WAY. SEE PLAN FOR TOP OF CONCRETE ELEVATION. TOP OF STEEL 4" BELOW TOP OF CONCRETE UNLESS INDICATED OTHERWISE.

NOTE S-4:
4" NWC SLAB WITH #3@15" OC. EACH WAY. CAST OVER RIGID INSULATION FORMWORK.

LEVEL 04 PLAN NOTES:

- CONTRACTOR SHALL CARRY ALLOWANCE FOR BRICK REMOVAL, TEMPORARY SUPPORT AND REPLACEMENT AS REQUIRED WHENEVER NEW CONSTRUCTION CONNECTS TO EXISTING FRAMING.
- LWC SLOPED TOPPING, PITCH TO DRAIN. ADD ALTERNATE: SNOW-MELT SYSTEM, SET BETWEEN CONCRETE PAVERS. COORD. WITH ARCH. DRAWINGS.
- COORDINATE FINAL EQUIPMENT SUPPORT LOCATIONS WITH APPROVED MANUFACTURER'S SUBMITTALS.
- COORDINATE FINAL SLAB OPENINGS WITH MECHANICAL DRAWINGS AND APPROVED MECHANICAL SUBMITTALS. FRAME PER TYP. DETAILS. SEE TYPICAL DETAILS FOR FRAMING AT ROOF DRAINS AND VENT OPENINGS. MAXIMUM EQUIPMENT WEIGHT = 600 LBS AT OPENING.

LEVEL 04 FRAMING PLAN - SECTOR B
1/4" = 1'-0"

2/7/2014 3:43:00 PM
I:\BOS\Projects\20100430\04-20SEED\Drawings\Working_Seri_Revi\LOCAL\USERS\MLB\data\MC_BEAN_NEW_STRUC_LMB\edoc.rvt