

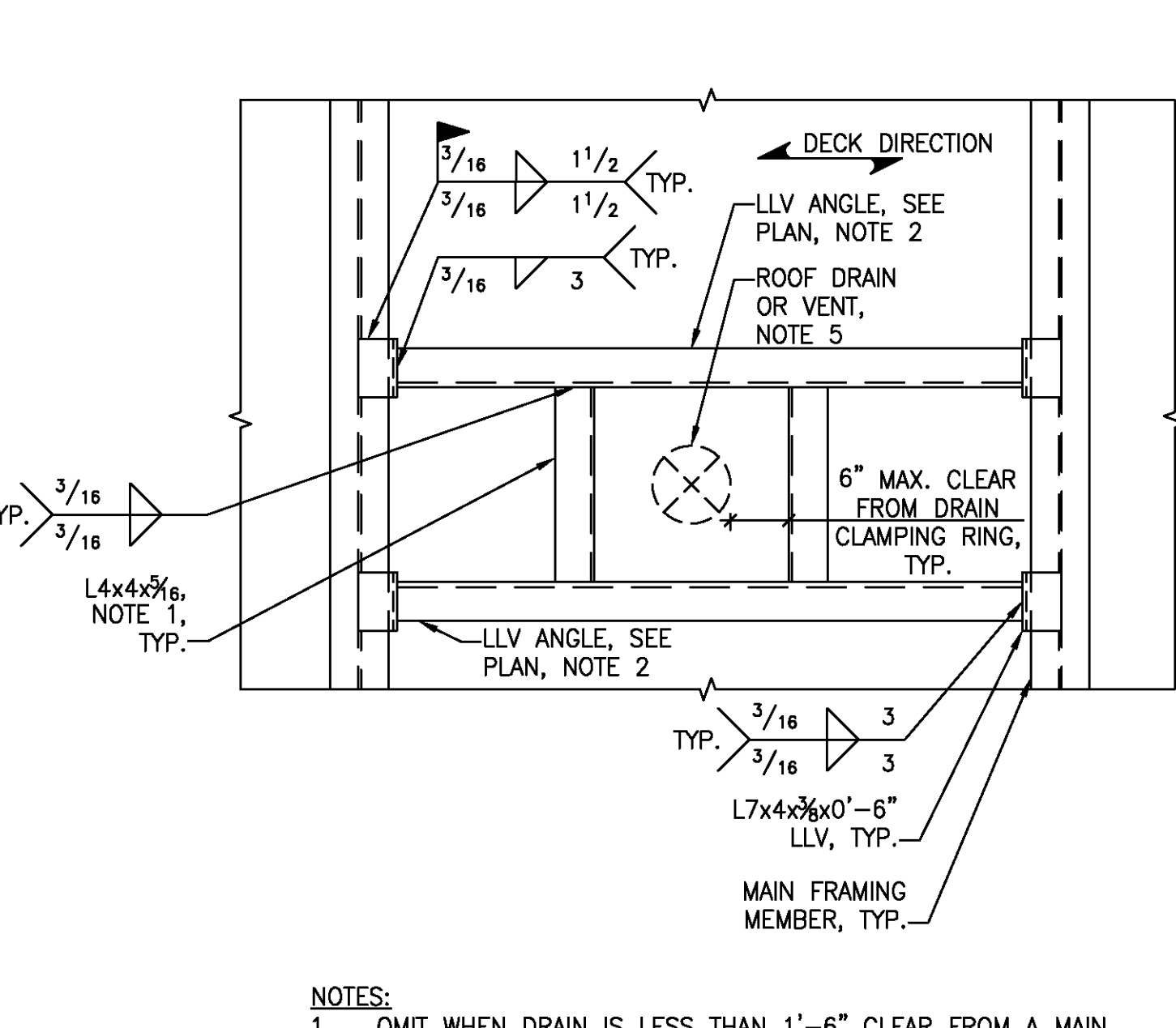
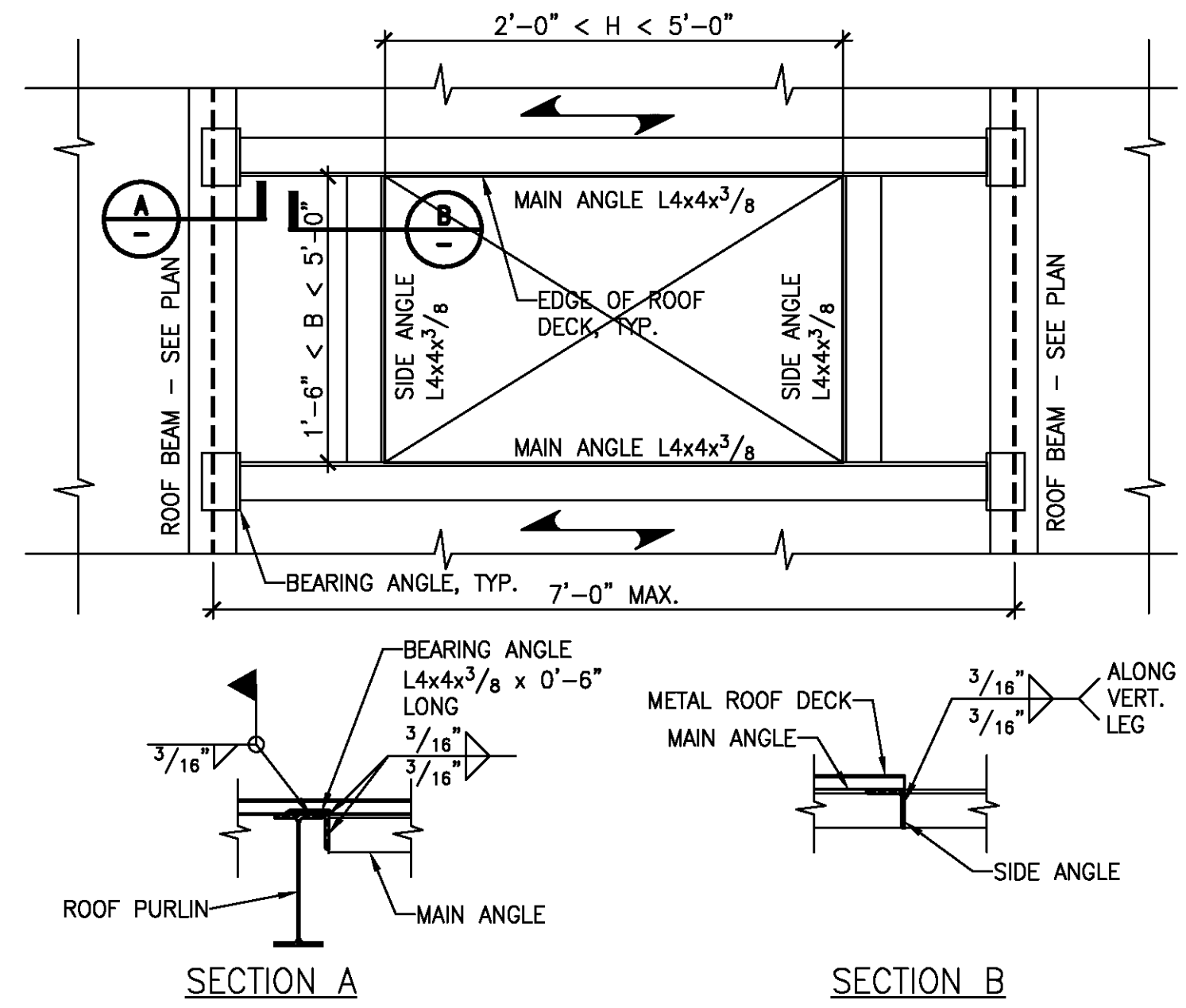
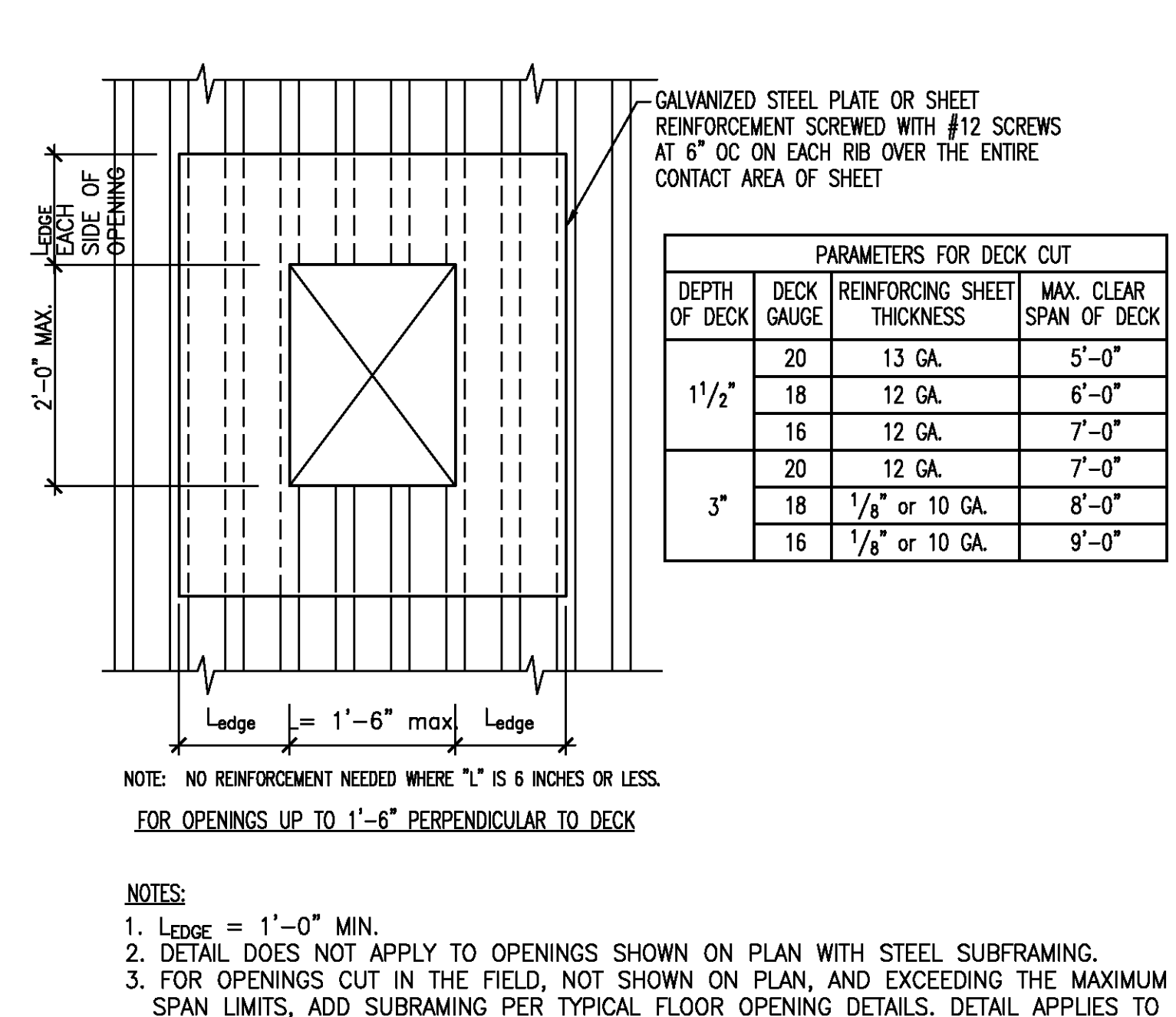
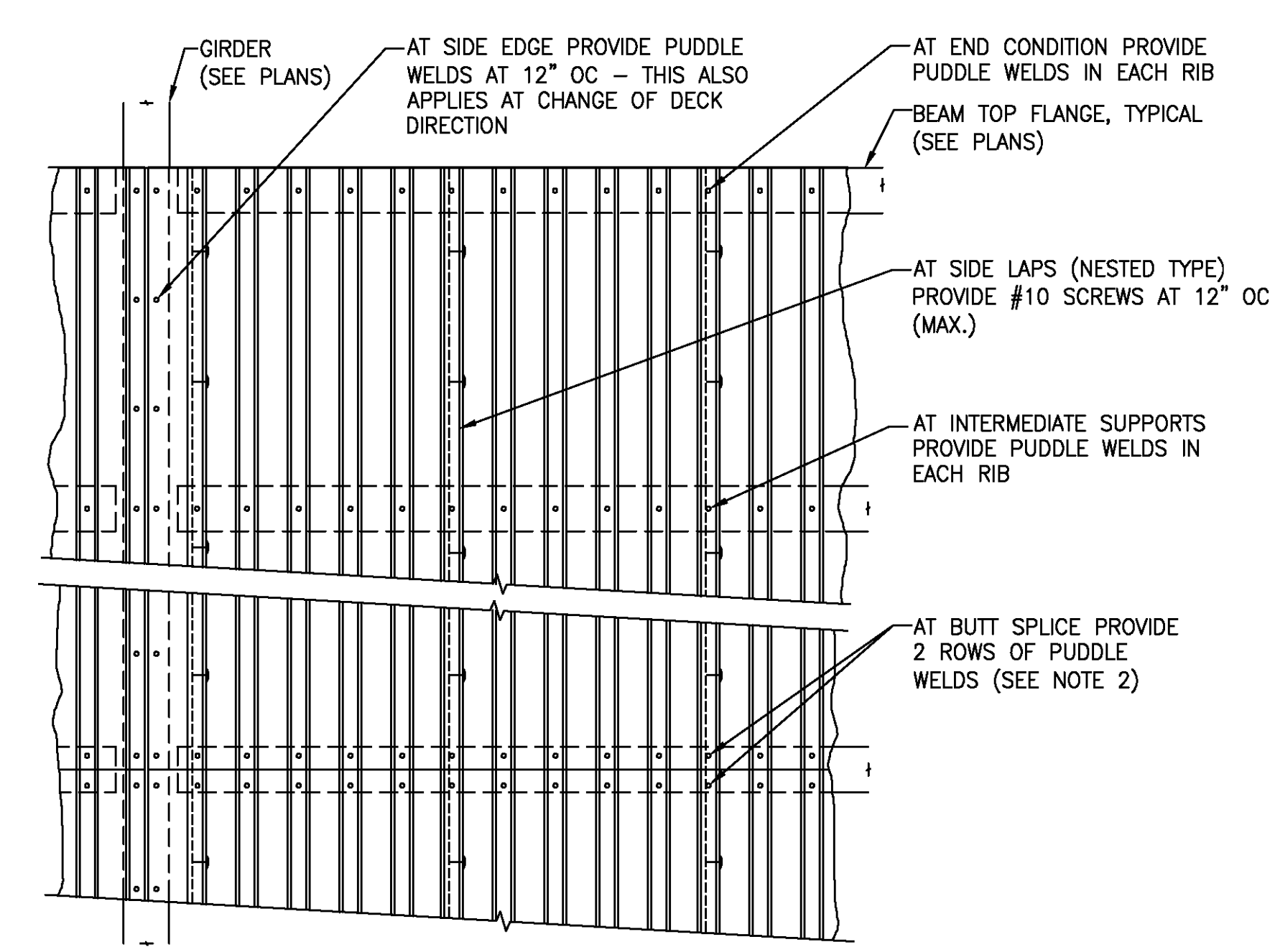
Revisions

NO.	ISSUED FOR PERMIT	DATE
1	ADDENDUM #1	06/14/13
NO.	ISSUE	DATE

Sheet Information
Date: 12 APRIL 2013
Job #: C140135461(MMC)152168.000
Drawn: SWW
Checked: MJB
Approved: JHT
Title:

TYPICAL STEEL
DETAILS

Sheet
S00-24



NOTES:
1. PUDDLE WELDS TO BE 3/16" MIN.
2. DECK ENDS ARE TO BE BUTT-SPLICED. LAPPED DECK ENDS ARE PROHIBITED.
3. NOTE 3" DECK RIBS ARE 8" OC.

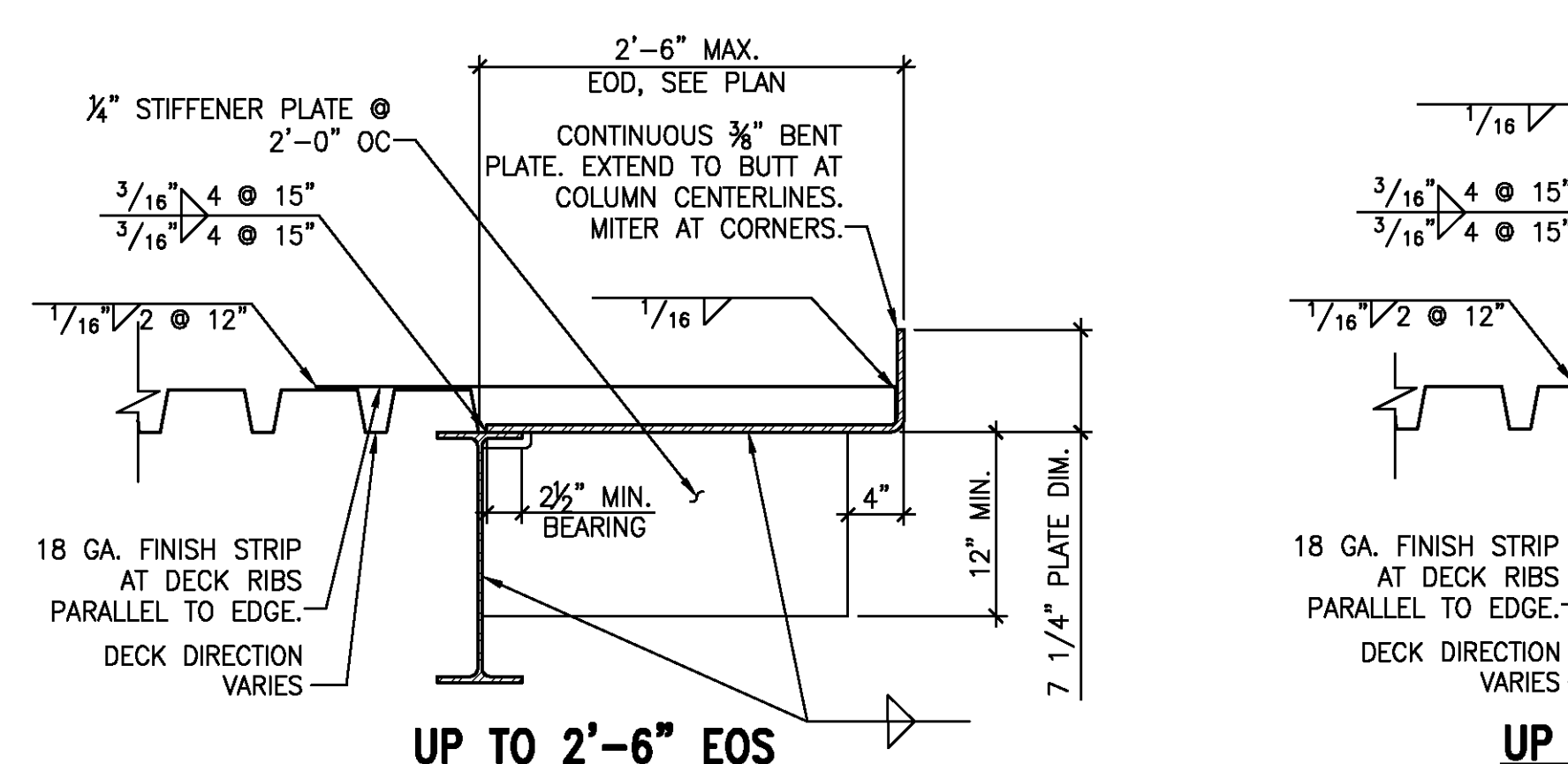
NOTE: NO REINFORCEMENT NEEDED WHERE "L" IS 6 INCHES OR LESS FOR OPENINGS UP TO 1'-6" PERPENDICULAR TO DECK

NOTES:
1. LEDGE = 1'-0" MIN.
2. DETAIL DOES NOT APPLY TO OPENINGS SHOWN ON PLAN WITH STEEL SUBFRAMING.
3. FOR OPENINGS CUT IN THE FIELD, NOT SHOWN ON PLAN, AND EXCEEDING THE MAXIMUM SPAN LIMITS, ADD SUBFRAMING PER TYPICAL FLOOR OPENING DETAILS. DETAIL APPLIES TO OPENINGS SPACED NO CLOSER THAN 5'-0" CLEAR IN DIRECTION TRANSVERSE TO DECK RIBS AND NO CLOSER THAN 10'-0" CLEAR IN DIRECTION PARALLEL TO RIBS. REVIEW SPECIFIC CONDITIONS WITH SER THAT MIGHT ALLOW MODIFICATIONS TO THE SPECIFIED PARAMETERS OF THE DETAIL.

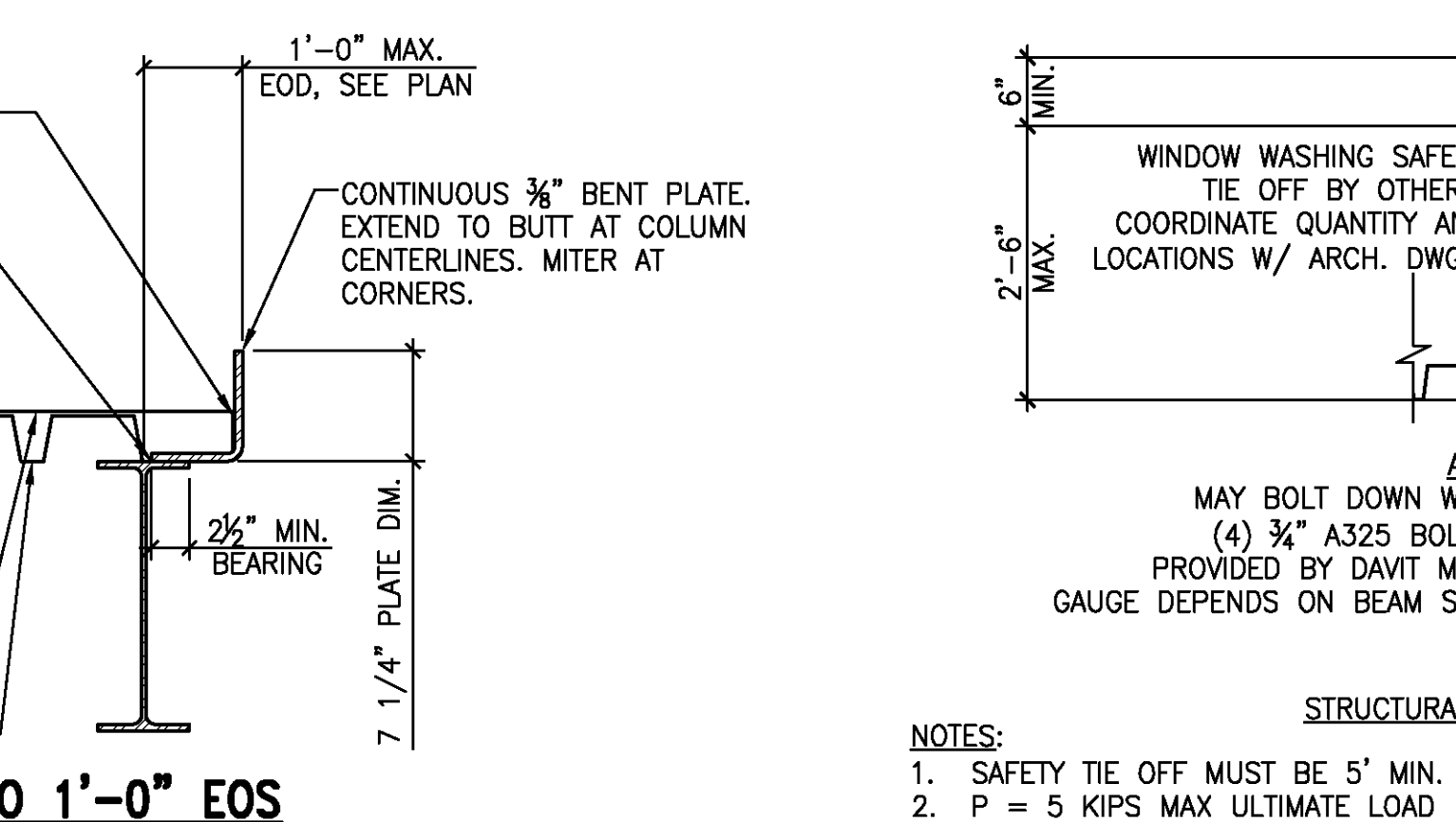
NOTES:
1. ADVISE SER IF OPENING EXCEEDS DIMENSION LIMITS SHOWN.
2. ROOF DECK MUST BE FASTENED TO SUBFRAMING ANGLES AS SHOWN IN TS-28.
3. TOPS OF MAIN AND SIDE ANGLES ARE FLUSH WITH TOP OF ROOF STEEL.
4. SUBFRAMING IS DESIGNED FOR EQUIVALENT 100 PSF LIVE LOAD AND NET 30 PSF WIND SUCTION.
5. CONTRACTOR MAY ELECT TO OMIT BEARING ANGLES AND COPE VERTICAL LEG OF MAIN ANGLES SUCH THAT THEY BEAR AT LEAST 4" ON TOP FLANGE OF ROOF BEAMS.
6. CONTRACTOR MAY ELECT TO FABRICATE ANGLE FRAMES IN FIELD.

NOTES:
1. OMIT WHEN DRAIN IS LESS THAN 1'-6" CLEAR FROM A MAIN FRAMING MEMBER FLANGE EDGE.
2. OMIT ANGLE WHEN DRAIN IS LESS THAN 1'-0" CLEAR FROM A MAIN FRAMING MEMBER FLANGE EDGE, CONNECT SHORT ANGLES TO MAIN FRAMING MEMBER WITH L6x4x3/8 WITH SAME WELDS SHOWN FOR L7x4 ANGLE SUPPORT.
3. TOP OF STEEL ELEVATION TO MATCH MAIN FRAMING MEMBER ELEVATIONS EXCEPT FOR L7x4 CONNECTIONS.
4. REFER TO TYPICAL DETAILS FOR SUPPORT AT CORNER SECTION.
5. MAX OPENING SIZE 2'-0" x 2'-0".

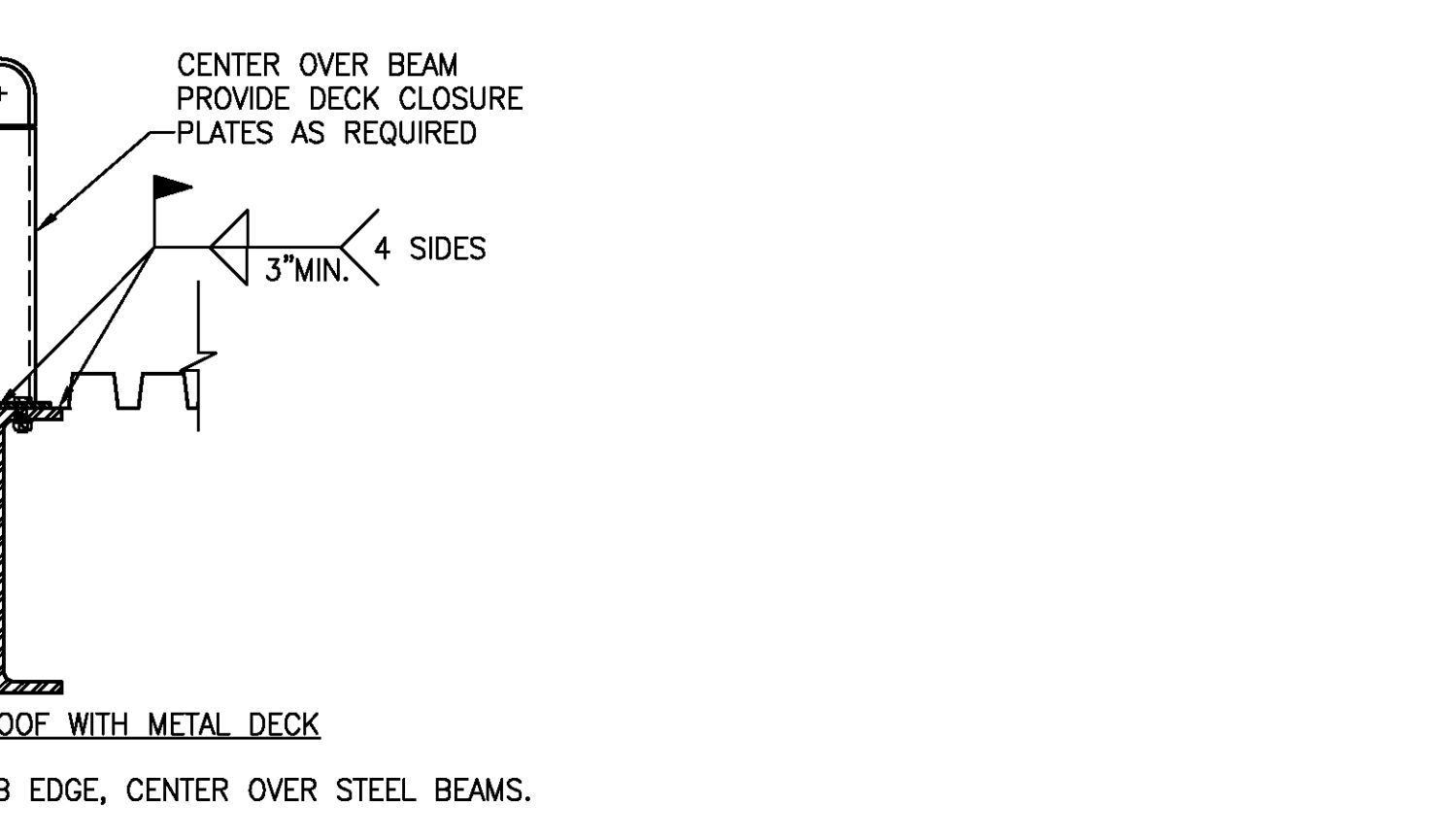
1 FASTENING PATTERN FOR 3" METAL ROOF DECK 3/4" = 1'-0"



2 ROOF DECK OPENING REINFORCEMENT 3/4" = 1'-0"



3 SUBFRAMING FOR ROOF OPENING LARGER THAN 2'-0\"/>



4 ROOF DRAIN OR VENT SUBFRAMING DETAIL N.T.S.

5 TYPICAL ROOF DECK EDGE SUPPORT N.T.S.



6 SAFETY TIE-OFF AT ROOF N.T.S.

