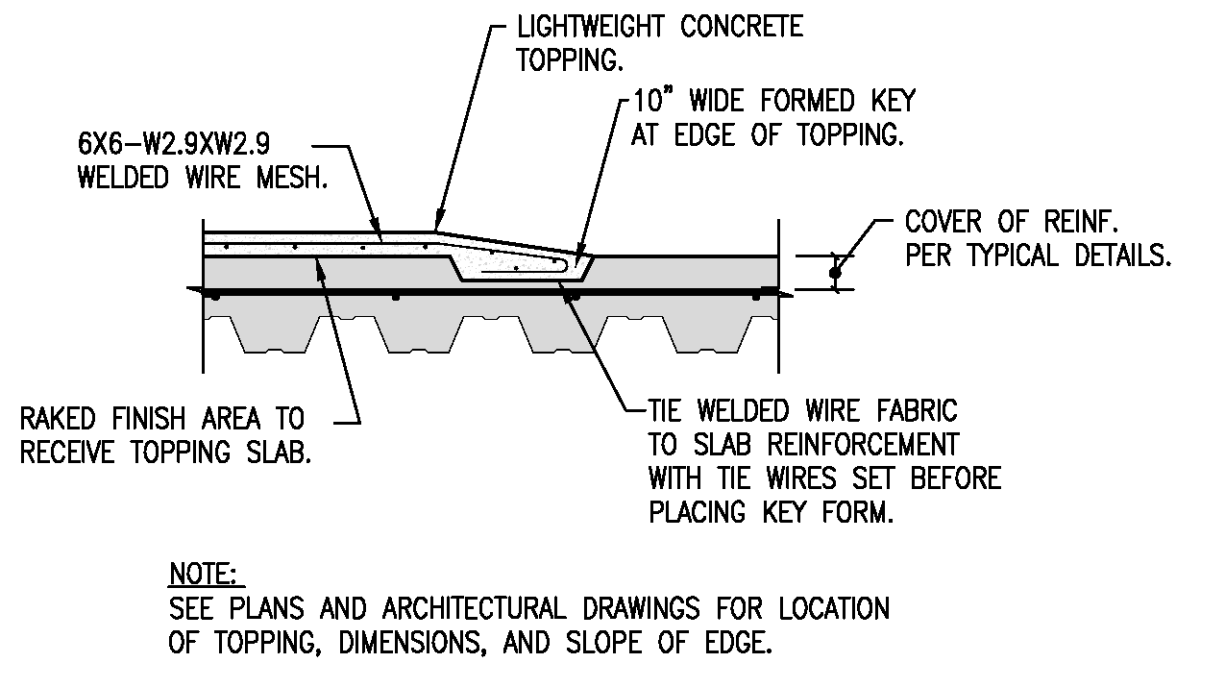


Revisions

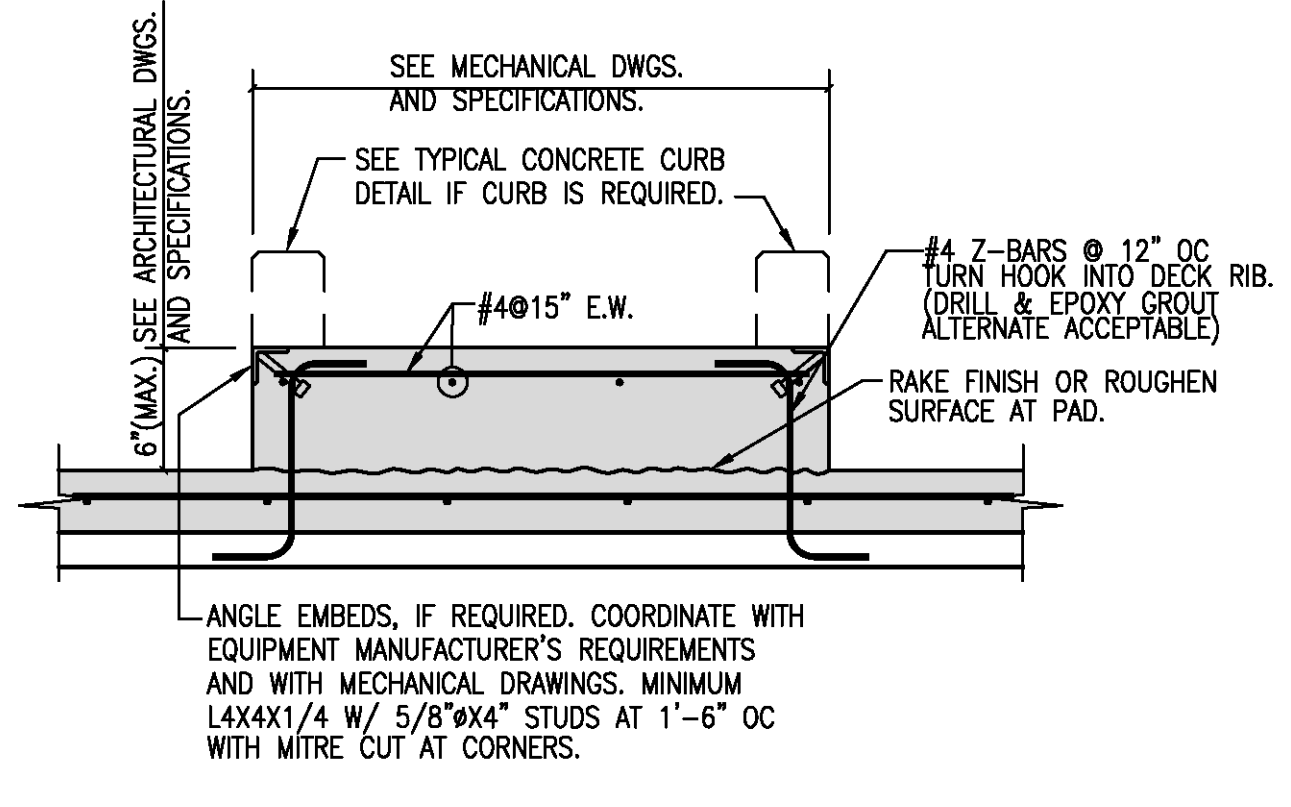
ISSUED FOR PERMIT	02/07/14
ADDENDUM #1	06/14/13
NO	ISSUE DATE
<b>Sheet Information</b>	
Date	12 APRIL 2013
Job #	C140135461(MMC)152168.000
Drawn	SWW
Checked	MJB
Approved	JHT
<b>Title</b>	

**TYPICAL STEEL  
DETAILS**

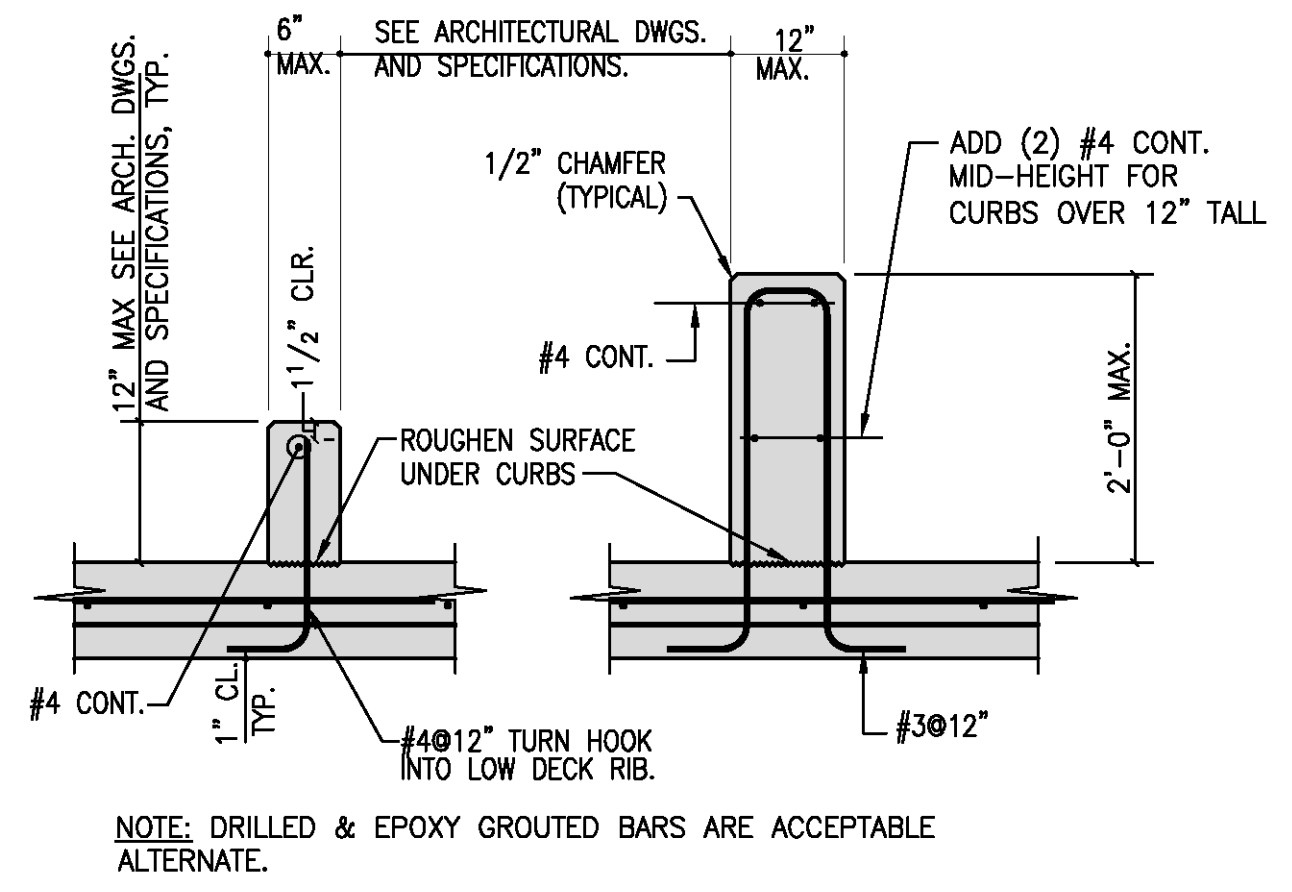
Sheet  
**S00-23**



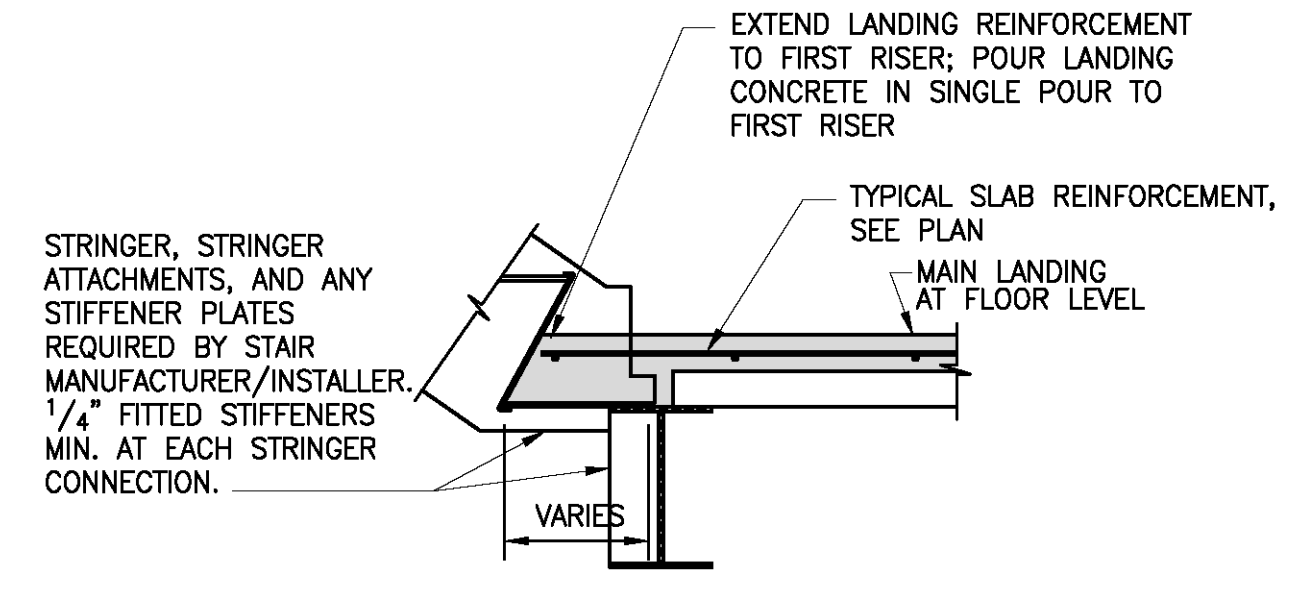
**1 SLOPED TOPPING SLAB & SLAB ELEVATION TRANSITIONS** NTS



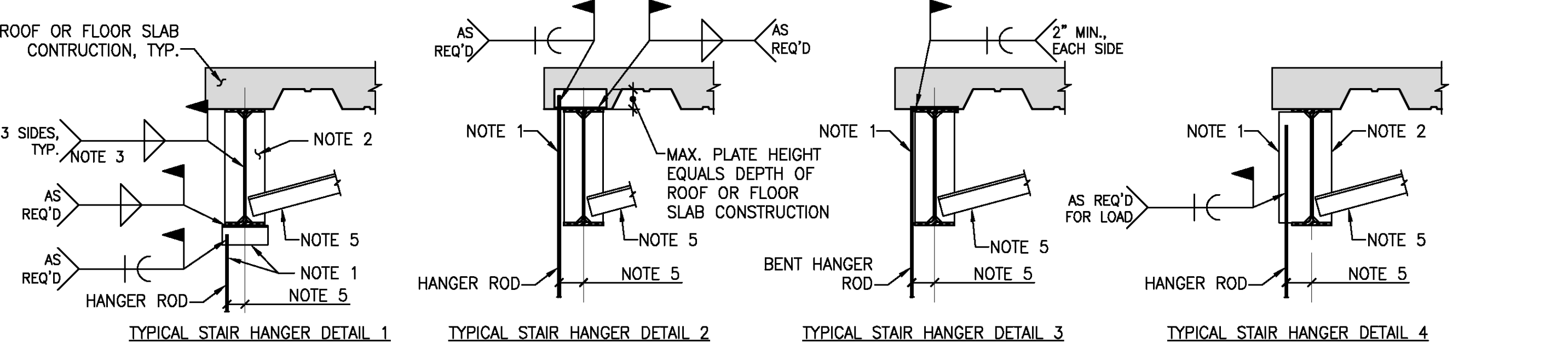
**2 HOUSEKEEPING PAD ON COMPOSITE SLAB DETAIL** NTS



**3 CONCRETE CURB ON COMPOSITE SLAB DETAIL** NTS

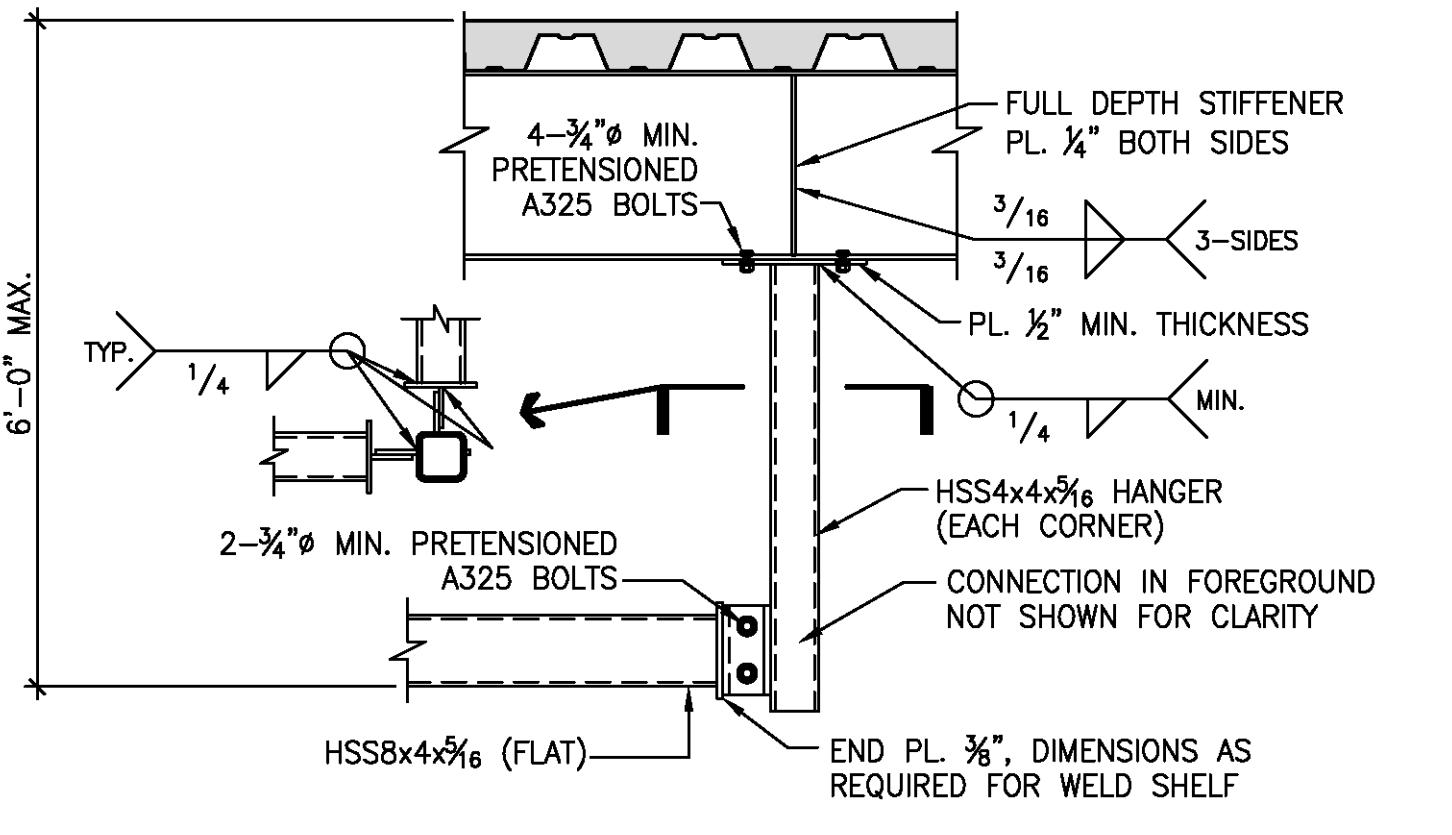


**4 TYPICAL STAIR HEADER BEAM DETAIL** NTS

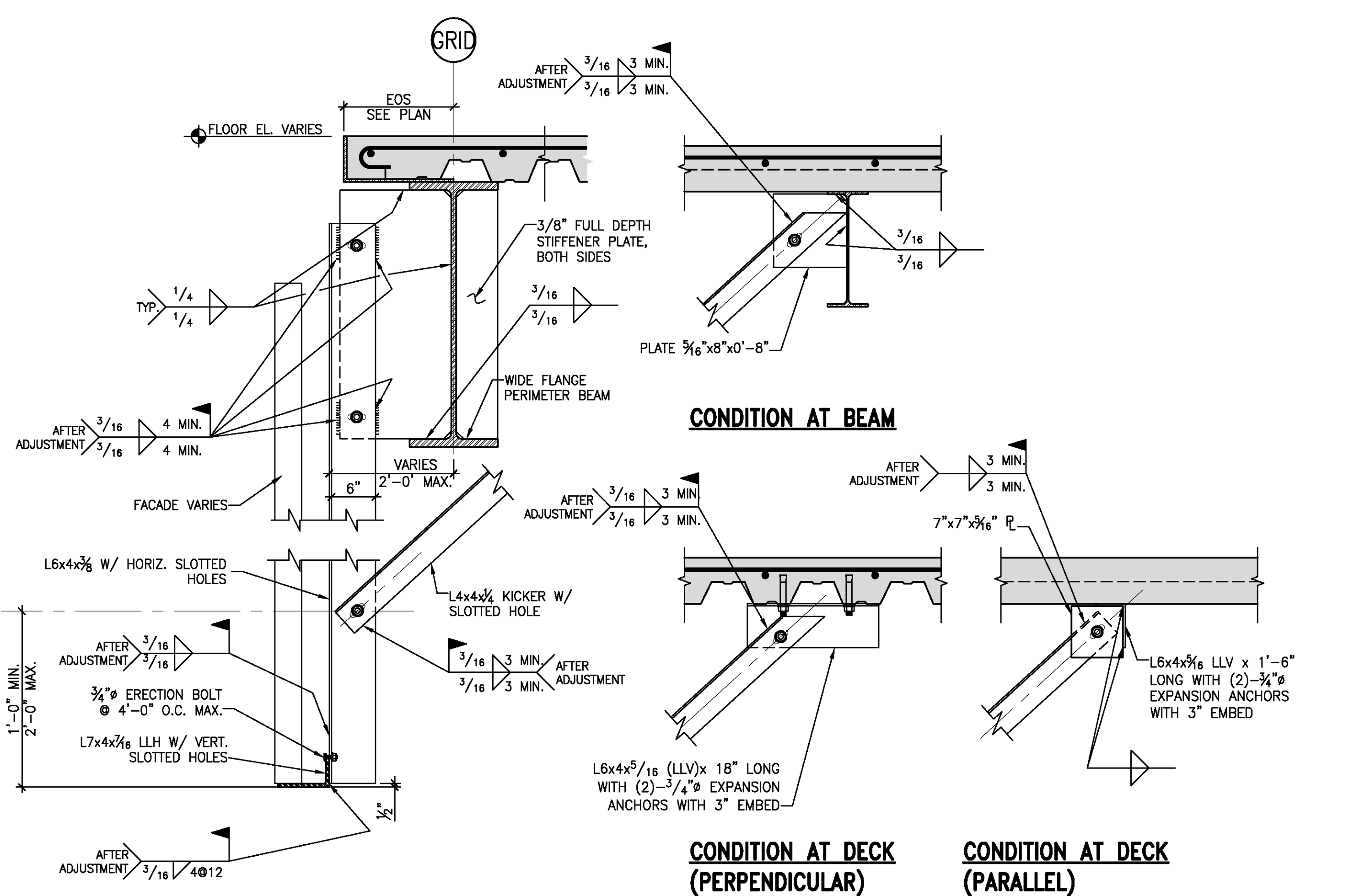


**NOTES:**  
1. HANGER ASSEMBLY AND CONNECTION TO BASE BUILDING STRUCTURE TO BE PROVIDED AND DESIGNED BY STAIR FABRICATOR.  
2. STIFFENERS AND PLATES SHOWN IN DETAILS ABOVE TO BE INSTALLED BY STAIR MANUFACTURER. PROVIDE 1/2\"/>

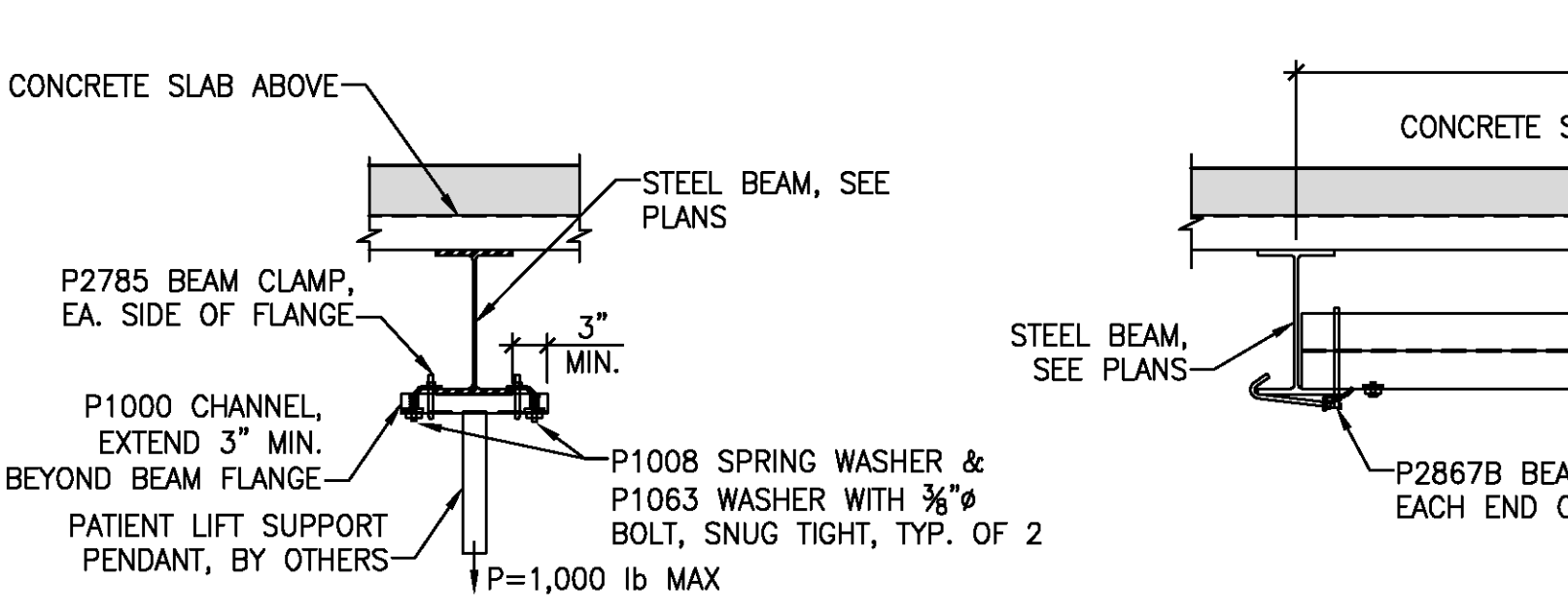
**5 STAIR HANGER DETAILS** 3/4\"/>



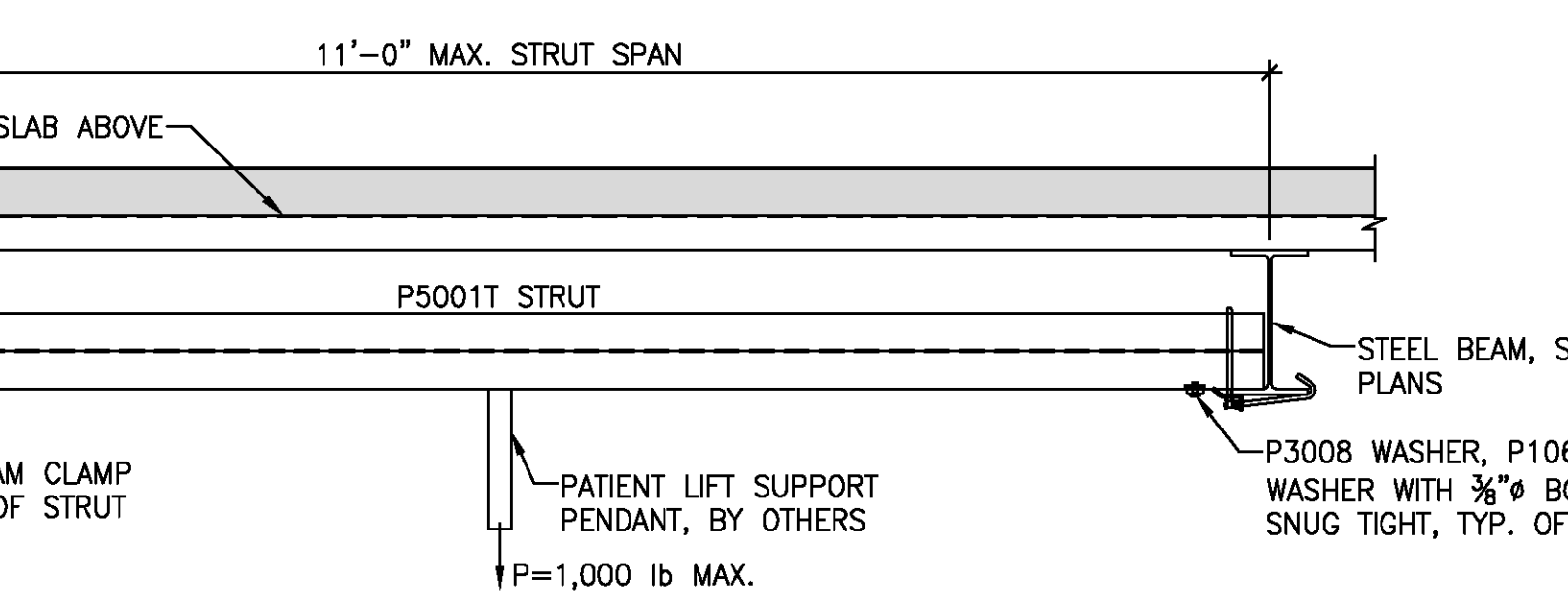
**6 INTERMEDIATE ELEVATOR RAIL SUPPORT SUPPORT - ALTERNATE 1** NTS



**7 SECTION: TYPICAL HANGER CONDITION** NTS



**8 PATIENT LIFT HANGER CONNECTION DIRECT FROM BEAM** 3/4\"/>



**8A STANDARD PATIENT LIFT HANGER CONNECTION BETWEEN BEAMS OF SAME DEPTH** 3/4\"/>

**SHEET NOTES:**  
1. ALL STRUT AND CLAMP ASSEMBLIES BY UNISTRUT WITH ELECTRO-GALVANIZED (EG) FINISH.  
2. (E) STEEL BEAM SIZES VARY. VERIFY IN FIELD WITH PROPOSED HANGER LOCATION DRAWINGS BY LIFT MANUFACTURER.  
3. SEE LIFT MANUFACTURER DRAWINGS FOR LATERAL BRACING OF SUPPORT PENDANTS.  
4. PATCH (E) SPRAY FIREPROOFING AS REQUIRED AT BEAMS.