

**Bean 2 Roof Addition**  
22 Bramhall Street, Portland, Maine 04102

MEP ENGINEER

AKF ENGINEERS

41 Farnsworth Street, 3rd Floor  
Boston, MA 02210  
1617.737.1111  
1617.737.4311

STRUCTURAL ENGINEER

SIMPSON GUMPERTZ &  
HEGER

41 Seyon Street, Building 1, Suite 500  
Waltham, MA 02453  
1781.907.8000  
1781.907.9009

MEDICAL EQUIPMENT PLANNERS

RTLK ASSOCIATES INC.

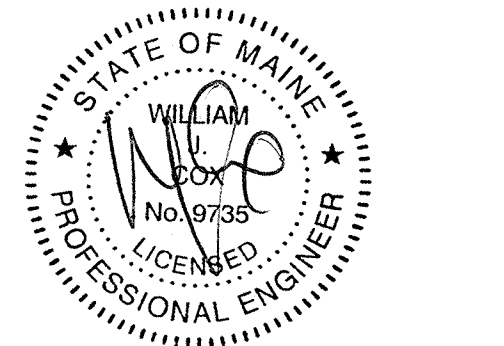
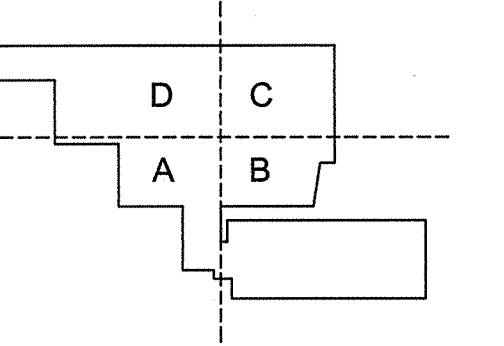
1717 Pacific Avenue  
Dallas, TX 75201  
1214.465.7600  
1214.465.7601

COST ESTIMATOR

DG JONES & PARTNERS

3 Baldwin Green Common, Suite 202  
Woburn, MA 01891  
1781.932.3131  
1781.932.3199

**CONSTRUCTION DOCUMENTS**



Revisions

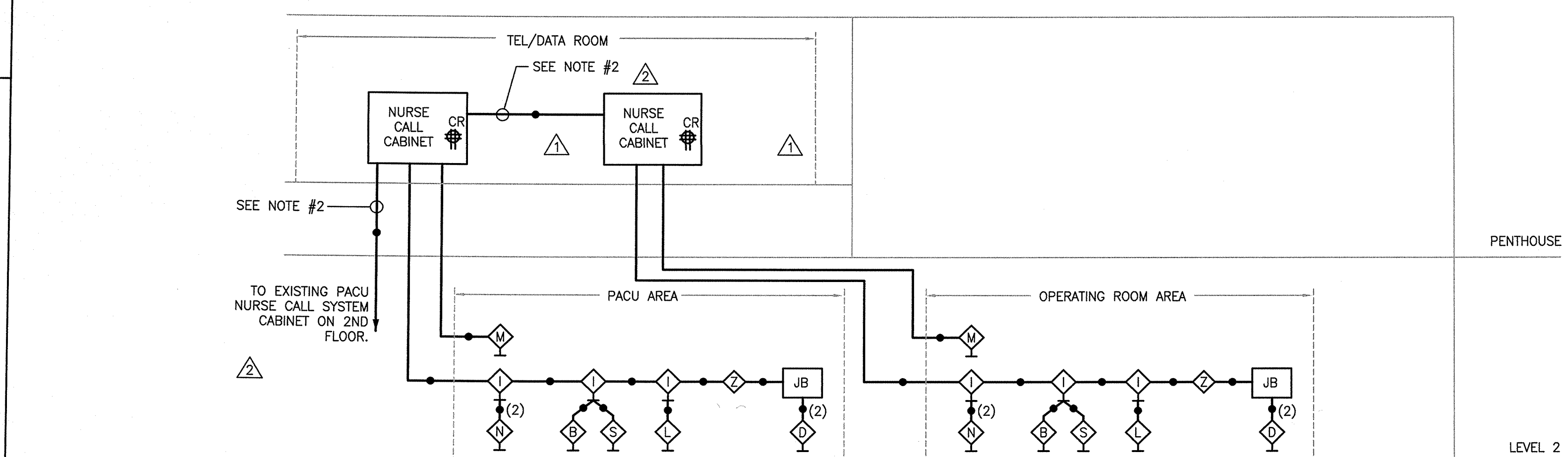
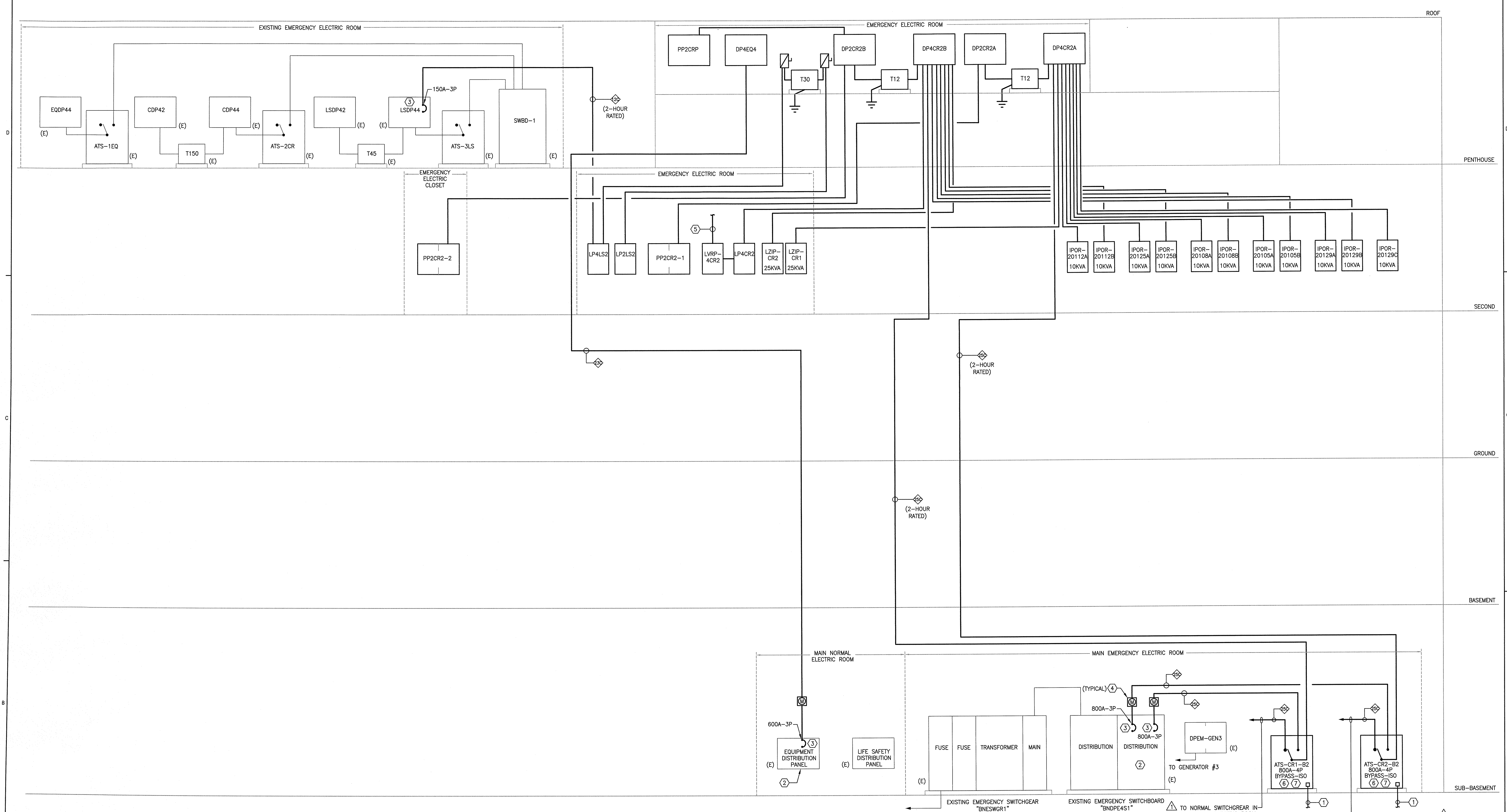
NO.	DATE	ISSUE
3	2-07-14	Issued for Permit
2	2-04-14	Addendum #4
1	1-17-14	Addendum #3
NO.	DATE	ISSUE

**Sheet Information**  
Date: JUNE 14, 2013  
Job #: C140135461(MMC)152168.000  
Drawn: \_\_\_\_\_  
Checked: \_\_\_\_\_  
Approved: \_\_\_\_\_

**ELECTRICAL EMERGENCY POWER RISER DIAGRAM**

Sheet

**E00-11**



**1 ELECTRICAL EMERGENCY POWER RISER DIAGRAM**

SCALE: N.T.S.

**2 NURSE CALL RISER DIAGRAM**

SCALE: N.T.S.

- NOTES:
- COORDINATE ALL WIRING REQUIREMENTS WITH NURSE CALL SYSTEM MANUFACTURER.
  - ALL NURSE CALL CABINETS SHALL BE NETWORKED TOGETHER TO ALLOW FOR COMMUNICATION BETWEEN SYSTEMS. COORDINATE ALL REQUIREMENTS WITH NURSE CALL SYSTEM VENDOR PRIOR TO BID.

**WIRING LEGEND**

- CAT5e CABLE
- (2) 2 SETS OF CAT5e CABLE

**KEYED NOTES:**

- 2-HOUR RATED CABLE TO GENERATOR FOR GENERATOR START SIGNAL AND LOSS OF POWER SIGNAL.
- PRIOR TO TIE-IN ELECTRICAL CONTRACTOR SHALL METER EXISTING PANEL BOARD PER NEC (2011) ARTICLE 220.87 AND HAVE THE FINDINGS COMPILED INTO A REPORT. A COPY OF THIS REPORT SHALL BE GIVEN TO THE ARCHITECT AND ENGINEER UPON METERING COMPLETION. ELECTRICAL CONTRACTOR SHALL NOT ROUGH-IN NEW FEEDER UNTIL REPORT HAS BEEN REVIEWED BY THE ENGINEER.
- PROVIDE NEW CIRCUIT BREAKER AS INDICATED. CIRCUIT BREAKER CHARACTERISTICS SHALL MATCH EXISTING. CIRCUIT BREAKER MANUFACTURER SHALL MATCH THAT OF THE PANELBOARD IT IS INSTALLED WITHIN. AIC RATING SHALL MEET THE AVAILABLE FAULT AT THE POINT OF INSTALLATION. NEW CIRCUIT BREAKERS SHALL BE PROVIDED WITH ADJUSTABLE SHORT TIME, LONG TIME, INSTANTANEOUS, AND GROUND FAULT SETTINGS.
- PROVIDE NEW DIGITAL POWER METER FOR ALL NEW CIRCUIT BREAKERS IN EXISTING DISTRIBUTION EQUIPMENT. METERS TO BE SQUARE D, POWER LOGIC TYPE AND BE CONNECTED TO THE EXISTING CAMPUS METERING SYSTEM.
- CONNECTION TO BMS SYSTEM FOR LIGHTING MONITORING AND CONTROL. COORDINATE ALL REQUIREMENTS WITH BMS SYSTEM VENDOR (HONEYWELL) PRIOR TO BID.
- PROVIDE COMMUNICATION CAPABILITIES FROM INTERNAL METERING FOR CONNECTION TO MMC POWER LOGIC METERING SYSTEM. ACTUAL CONNECTION TO SYSTEM SHALL BE MADE BY MMC FACILITIES. COORDINATE ALL REQUIREMENTS WITH MMC FACILITIES DEPARTMENT. COORDINATE TIE-IN LOCATIONS WITH EXISTING METERING FRONT END CONTROL SYSTEM.
- ELECTRICAL CONTRACTOR SHALL PREPARE A SEPARATE ITEMIZED COST ESTIMATE TO PROVIDE AUTOMATIC TRANSFER SWITCHES "ATS-CR1-B2" AND "ATS-CR1-B1" AS 400A BYPASS ISOLATION SWITCHES. FEEDERS SHALL BE PROVIDED AS #800 & #30 IN 4" C. MAIN BREAKER IN EXISTING ELECTRICAL DISTRIBUTION EQUIPMENT SHALL BE 400A-3P BREAKERS. THIS COST SHALL BE IDENTIFIED AS "ALTERNATE #11-ELECTRICAL RISER ALTERNATE"

**2 HOUR RATED FEEDER NOTE:**

ALL FEEDERS INDICATED TO BE 2 HOUR RATED CABLE SHALL BE FULLY ENCLOSED WITHIN A 2 HOUR RATED ENCLOSURE OR BE PROVIDED WITH MI CABLE (FULLY UL LISTED AND APPROVED BY THE LOCAL WIRING INSPECTOR). ALL VERTICAL AND HORIZONTAL FEEDERS LOCATED IN AREAS THAT DO NOT HAVE SPRINKLERS INSTALLED SHALL BE PROVIDED WITH 1 HOUR RATED WIRING.

**BONDING NOTE:**

THE EQUIPMENT GROUNDING TERMINAL BUSES OF THE NORMAL AND ESSENTIAL BRANCH CIRCUIT PANELBOARDS SERVING THE SAME INDIVIDUAL PATIENT CARE VICINITY SHALL BE CONNECTED TOGETHER WITH AN INSULATED CONTINUOUS COPPER CONDUCTOR NOT SMALLER THAN #8 AWG. WHERE TWO OR MORE PANELBOARDS SERVING THE SAME INDIVIDUAL PATIENT CARE VICINITY ARE SERVED FROM SEPARATE TRANSFER SWITCHES OF THE EMERGENCY SYSTEM, THE EQUIPMENT GROUNDING TERMINAL BUSES OF THOSE PANELBOARDS SHALL BE CONNECTED WITH AN INSULATED CONTINUOUS COPPER CONDUCTOR NOT SMALLER THAN #8 AWG.

