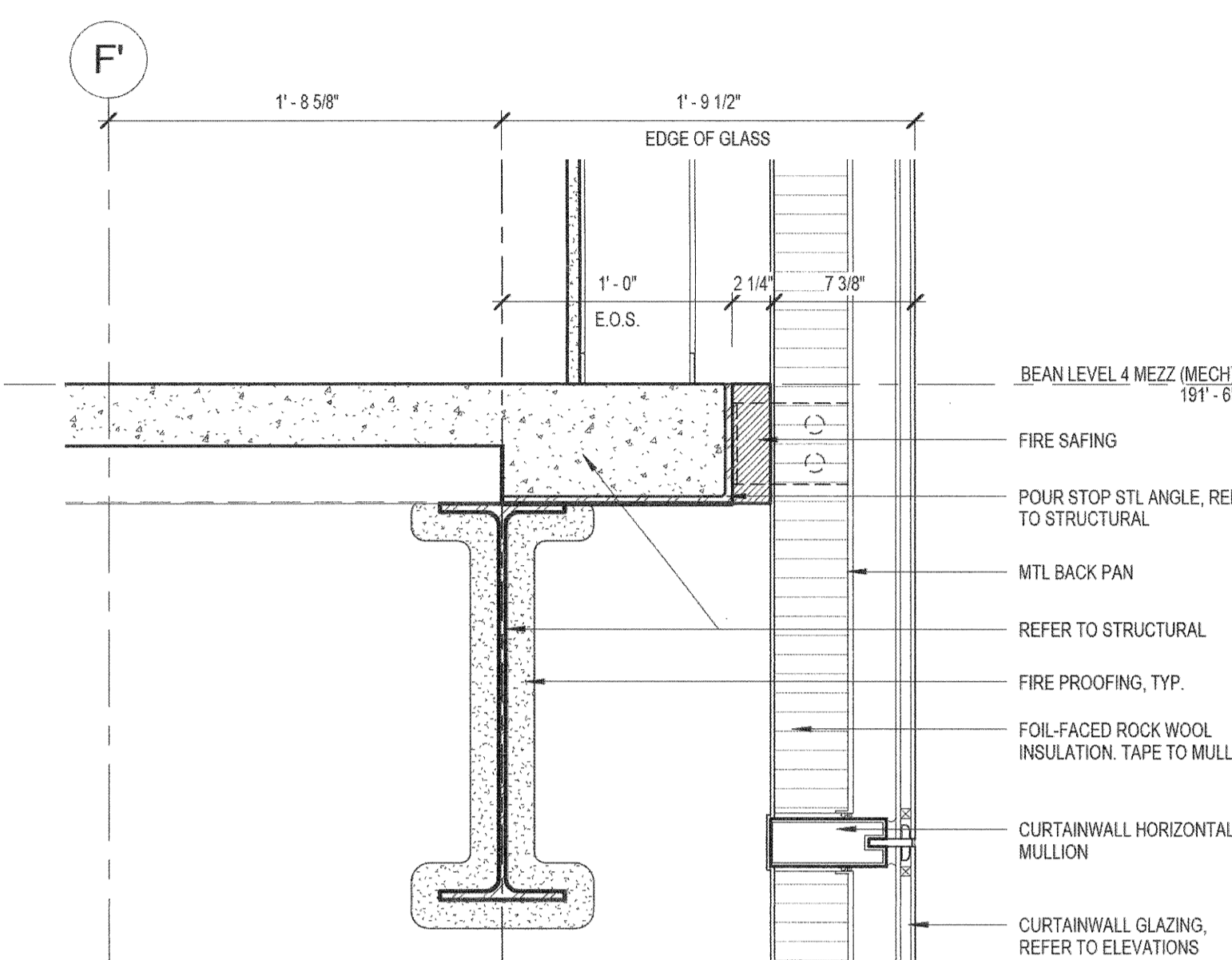
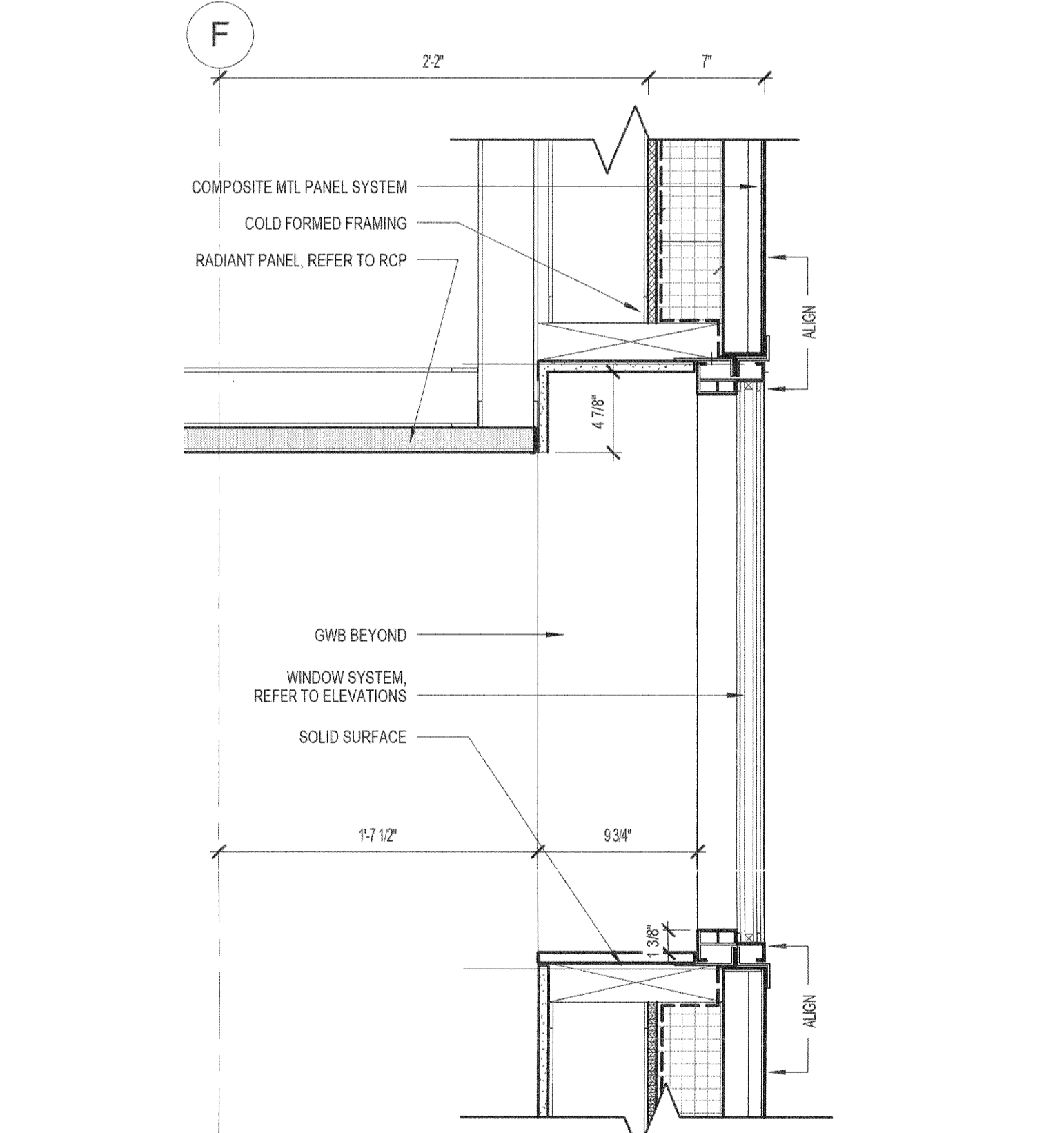


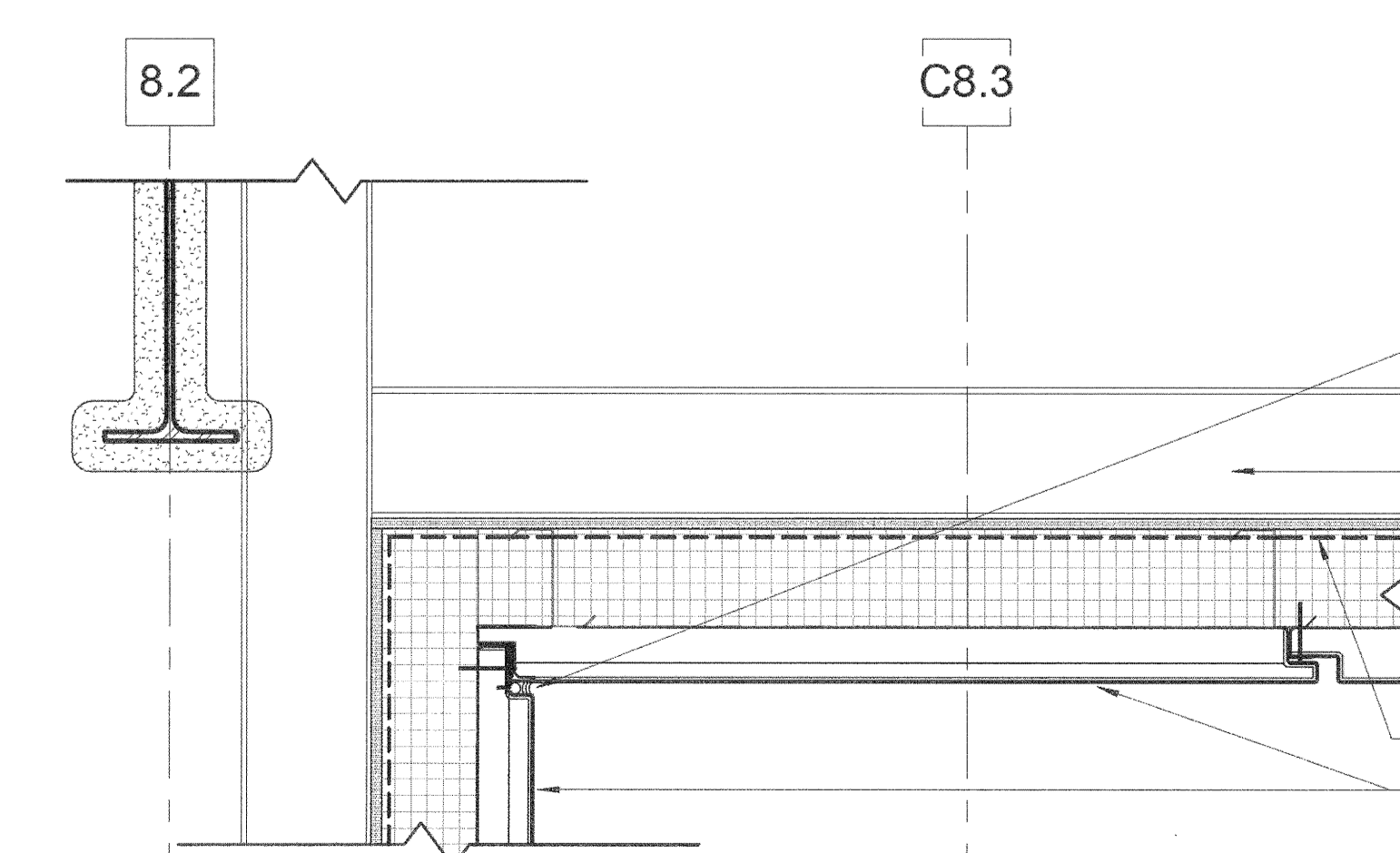
D5 SECTION DETAIL - CURTAINWALL @ REVEAL
1 1/2" = 1'-0"
REF: C2 / A11-21



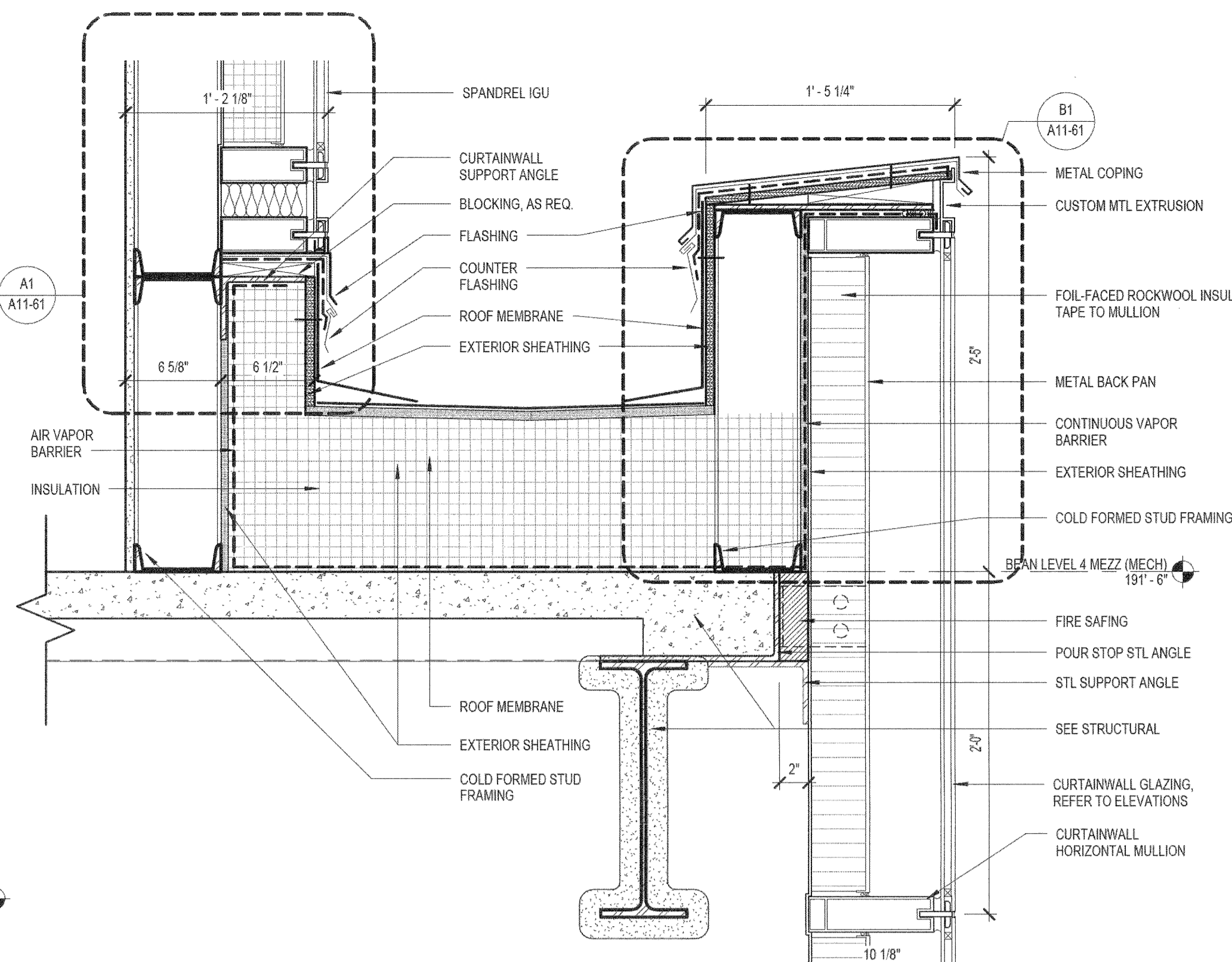
C5 SECTION DETAIL - CURTAINWALL @ MEZZ
1 1/2" = 1'-0"
REF: C2 / A11-21



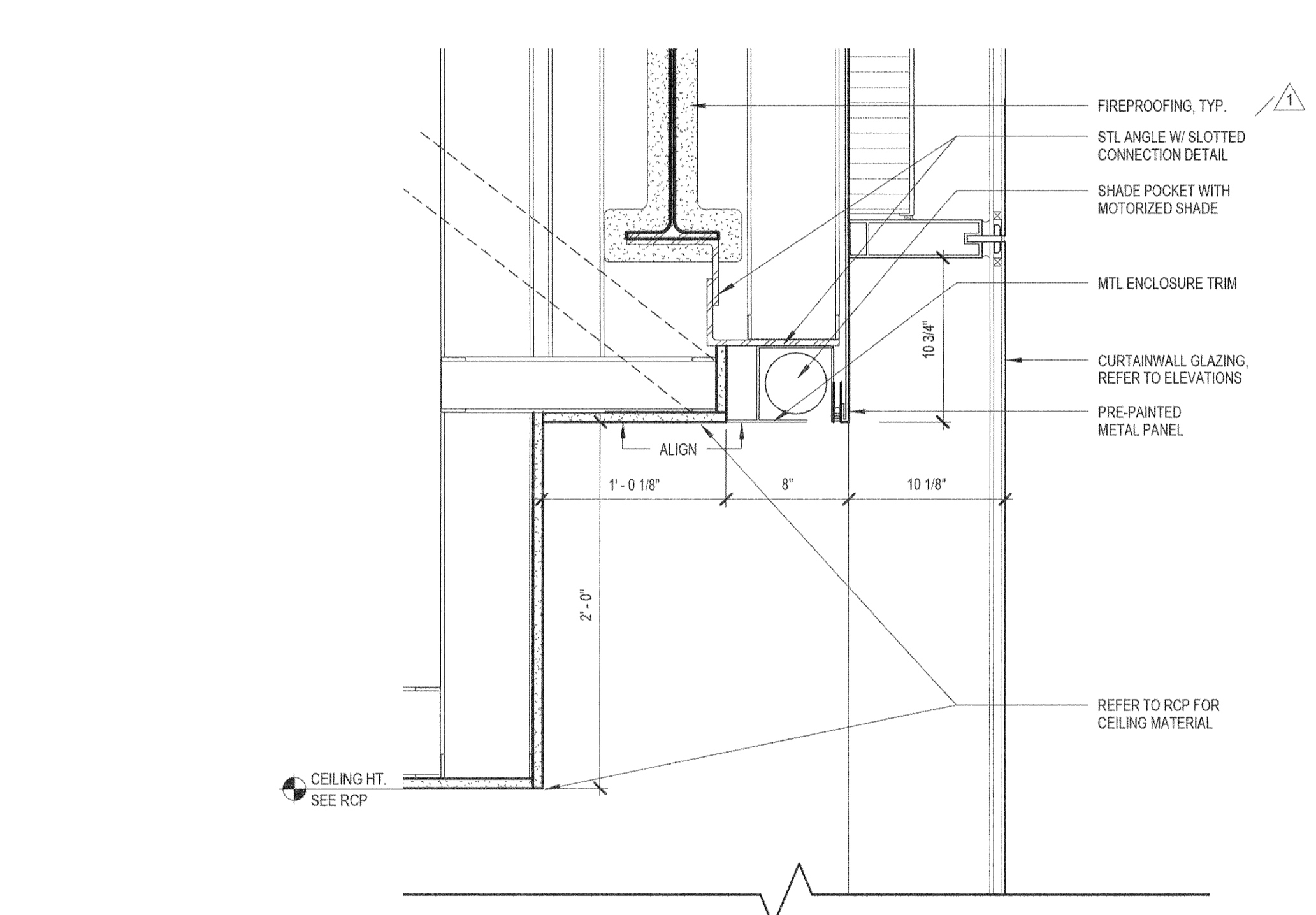
B2 SECTION DETAIL - SOUTH FACADE CLERESTORY
1 1/2" = 1'-0"
REF: C2 / A11-20



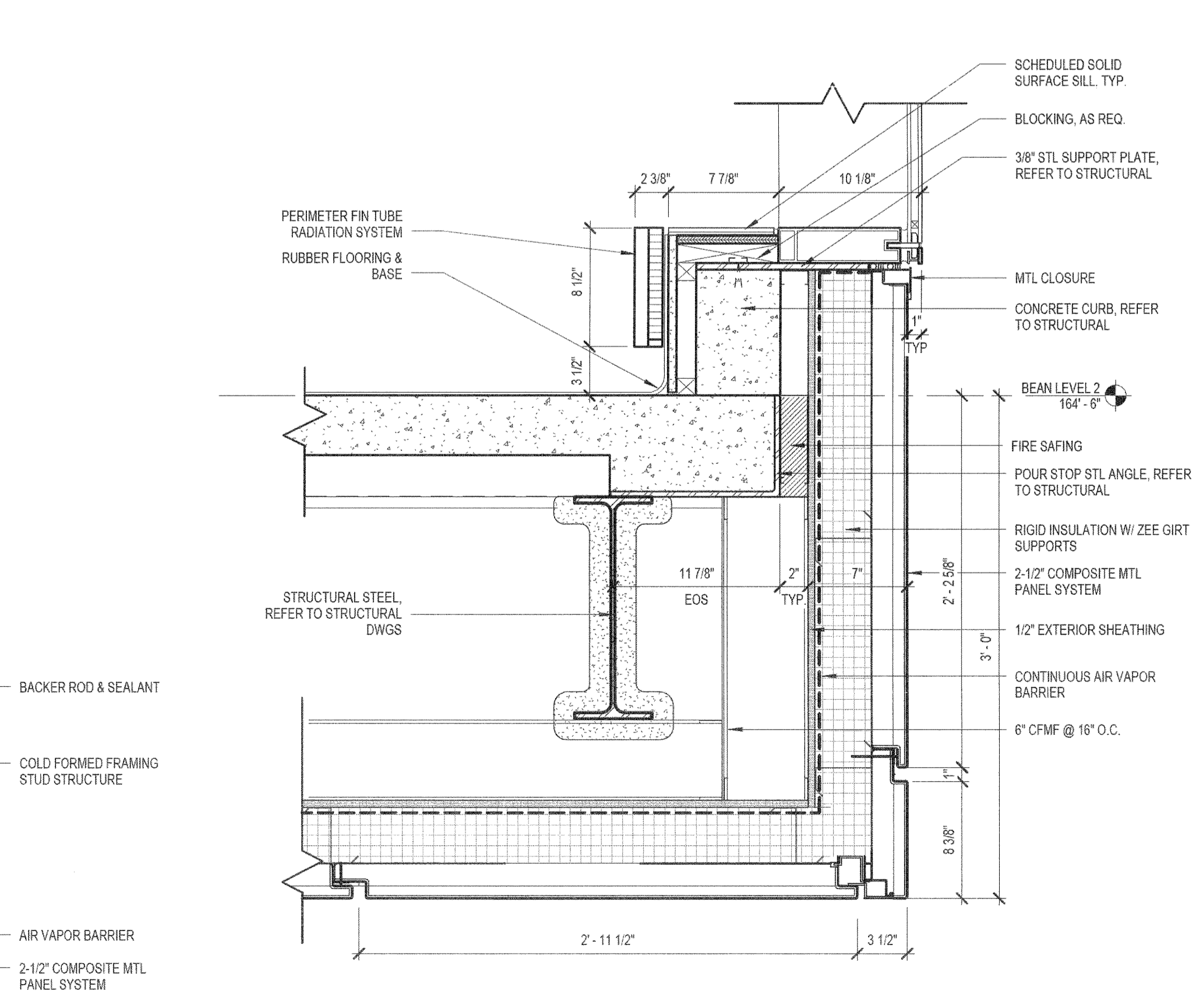
A5 SECTION DETAIL - SOFFIT @ NEW
1 1/2" = 1'-0"
REF: B3 / A11-23



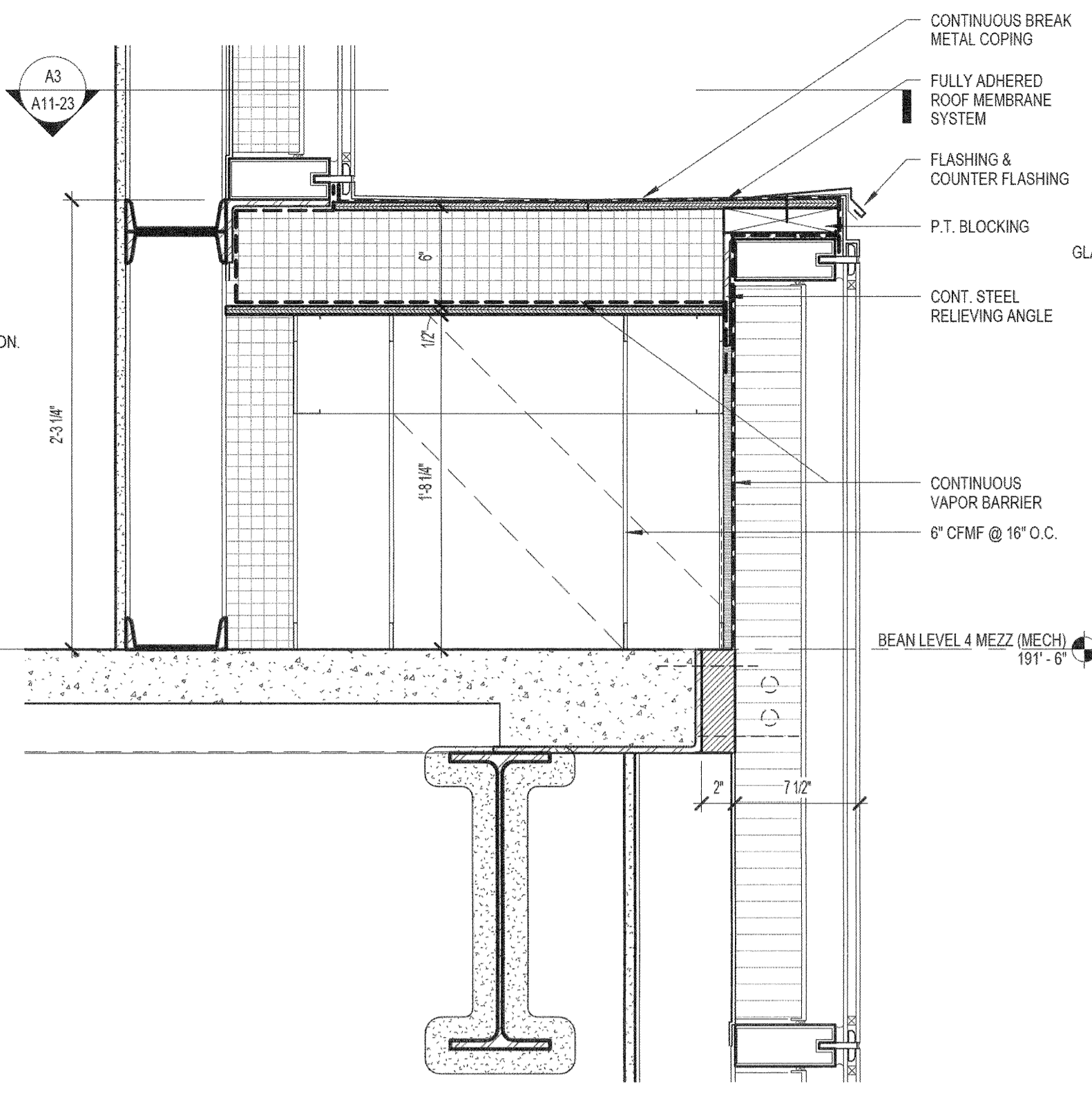
D4 SECTION DETAIL - LOWER ROOF PARAPET @ LOUNGE
1 1/2" = 1'-0"
REF: C2 / A11-21



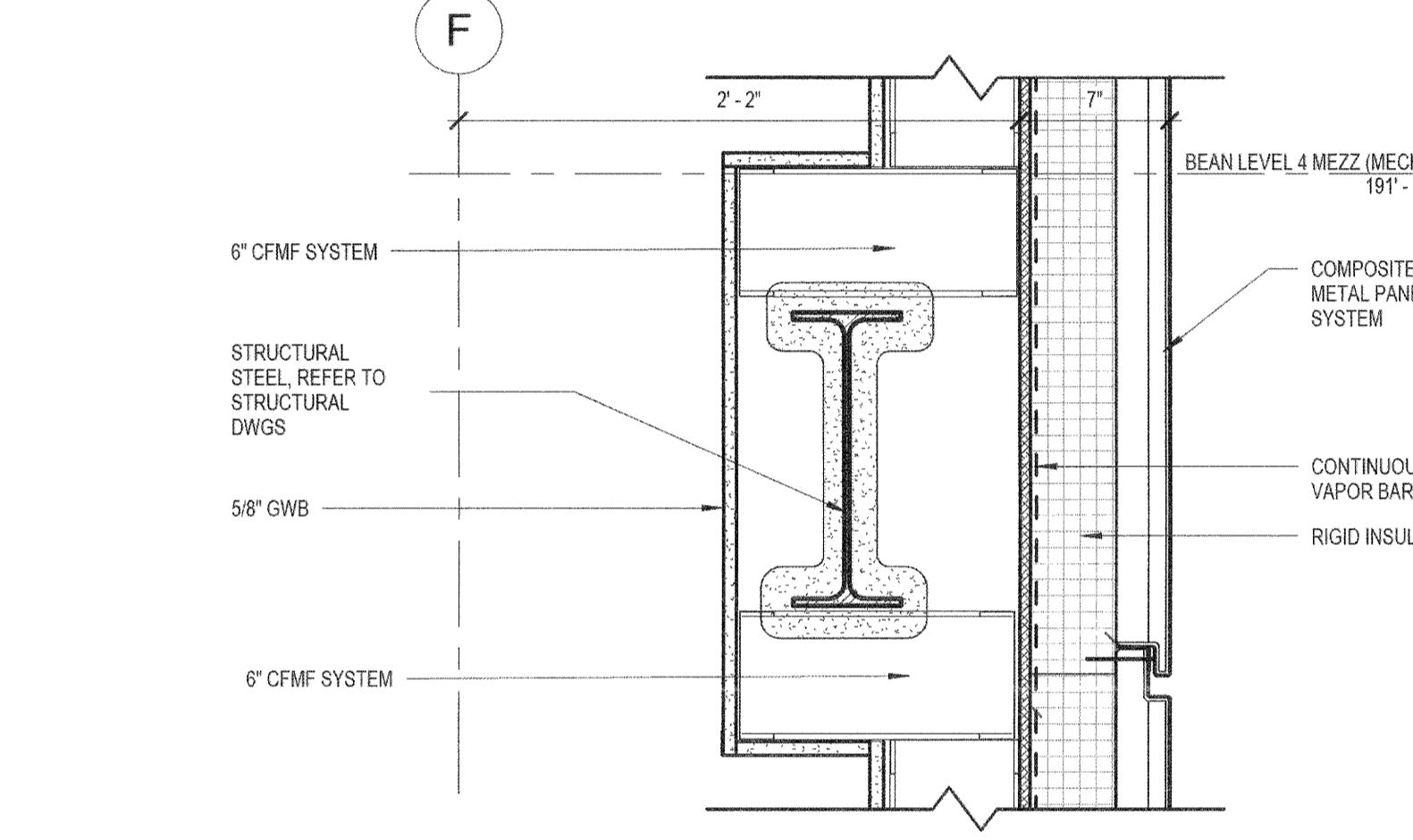
B4 SHADE POCKET @ LOUNGE
1 1/2" = 1'-0"
REF: C4 / A11-21 ; B4 / A11-22



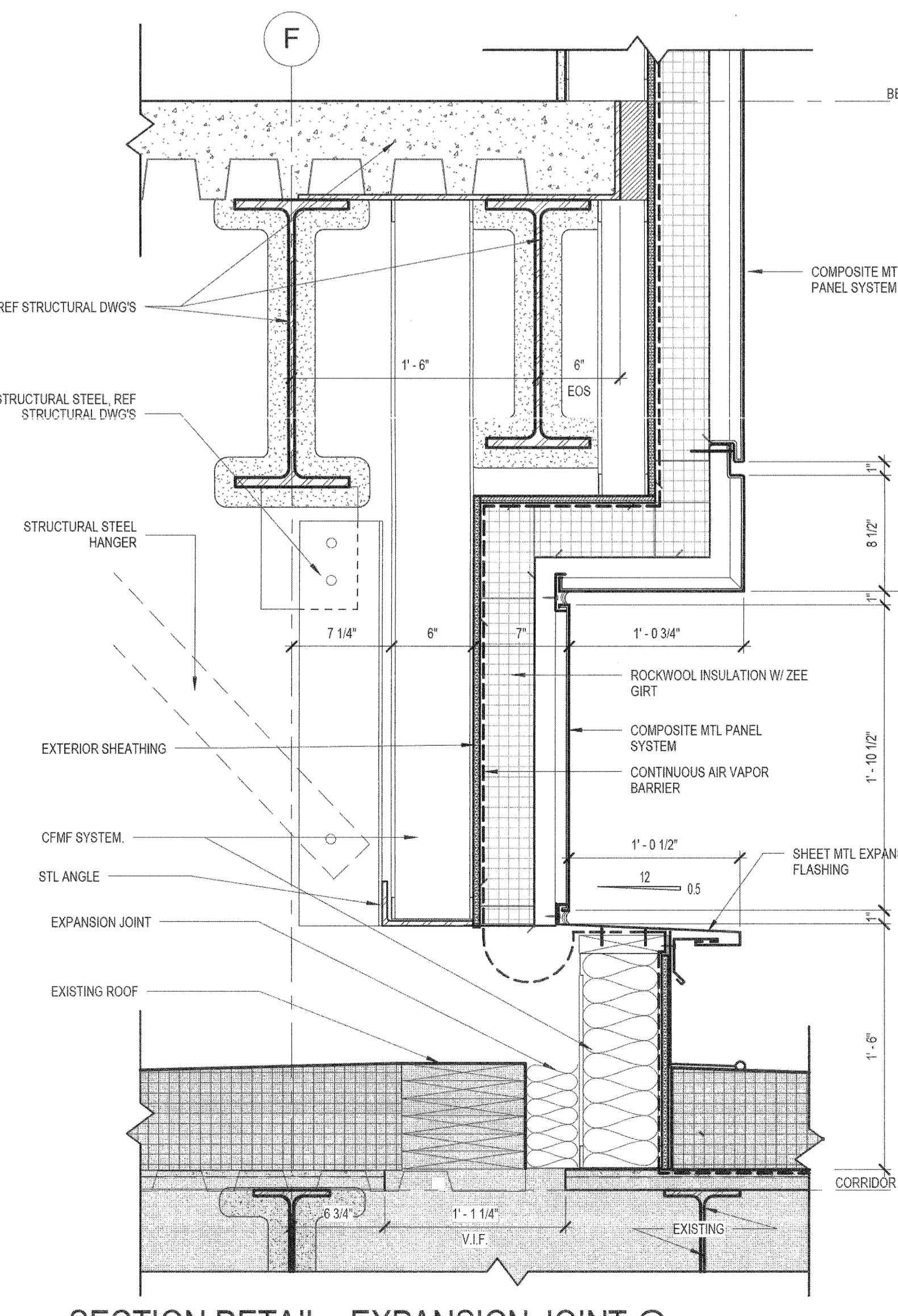
A4 SECTION DETAIL - SILL @ LOUNGE
1 1/2" = 1'-0"
REF: B4 / A11-22



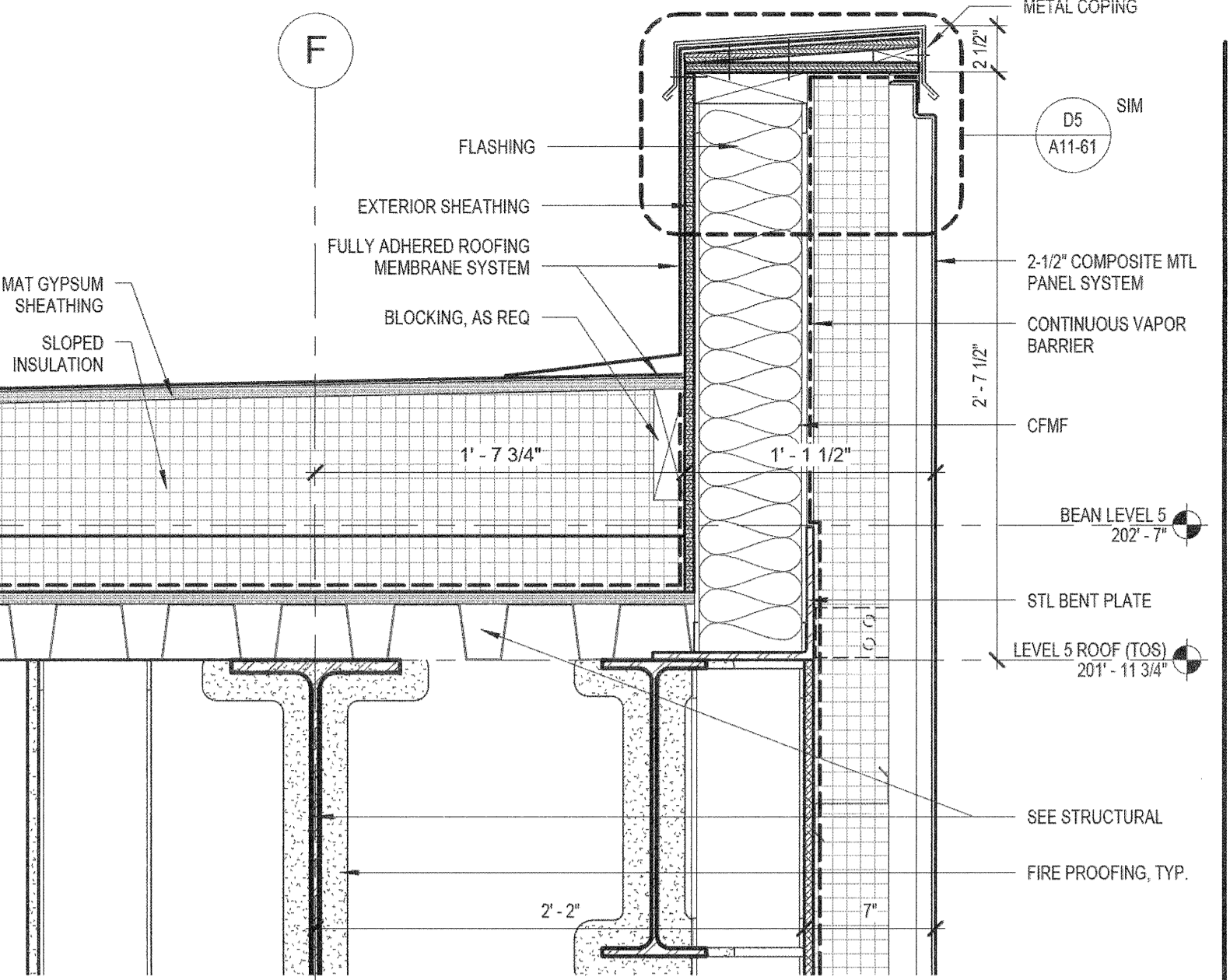
D2 SECTION DETAIL - LOWER ROOF PARAPET CORNER
1 1/2" = 1'-0"
REF: A3 / A11-23 ; B1 / A11-23



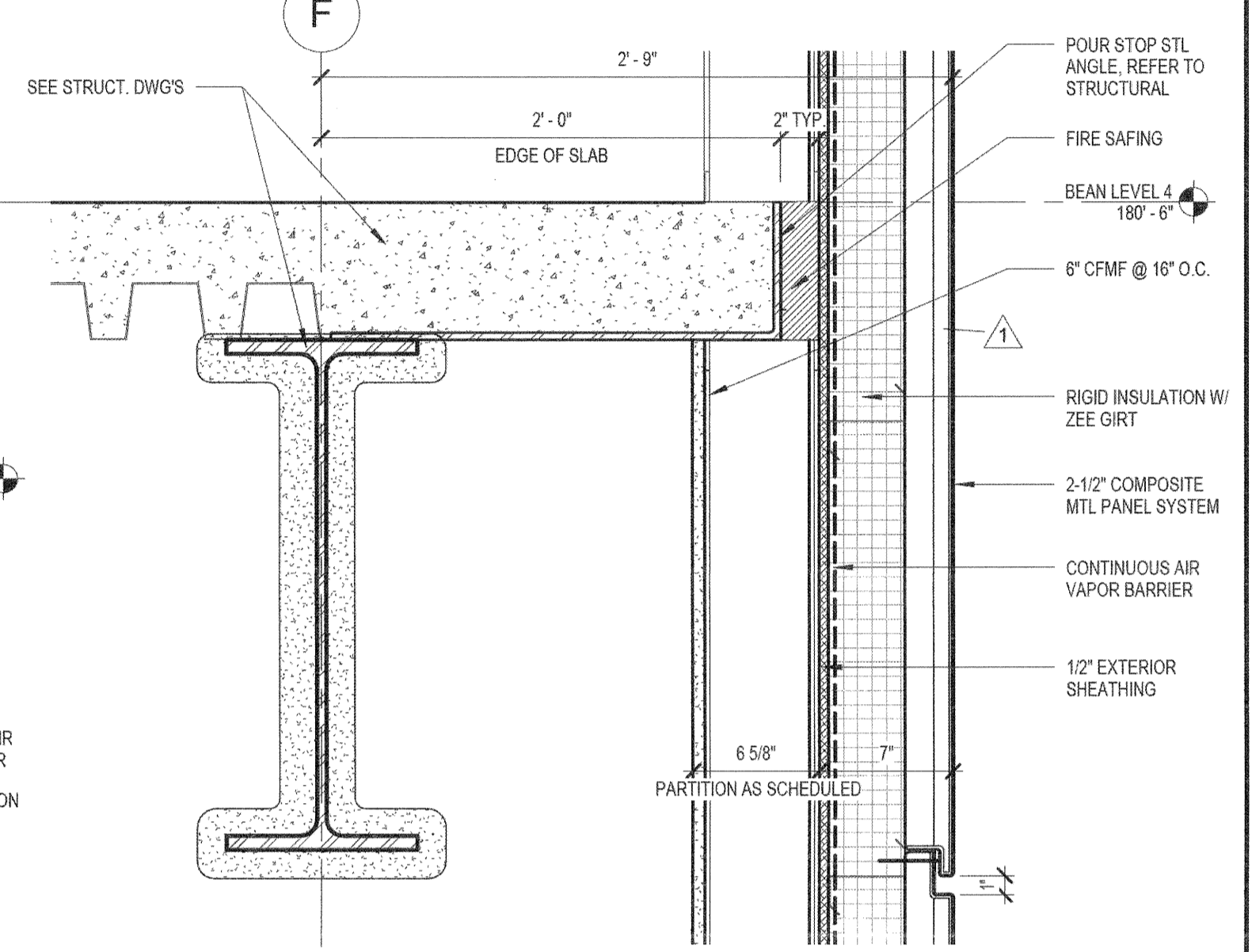
C2 SECTION DETAIL - S FACADE @ PENTHOUSE
1 1/2" = 1'-0"
REF: C2 / A11-20



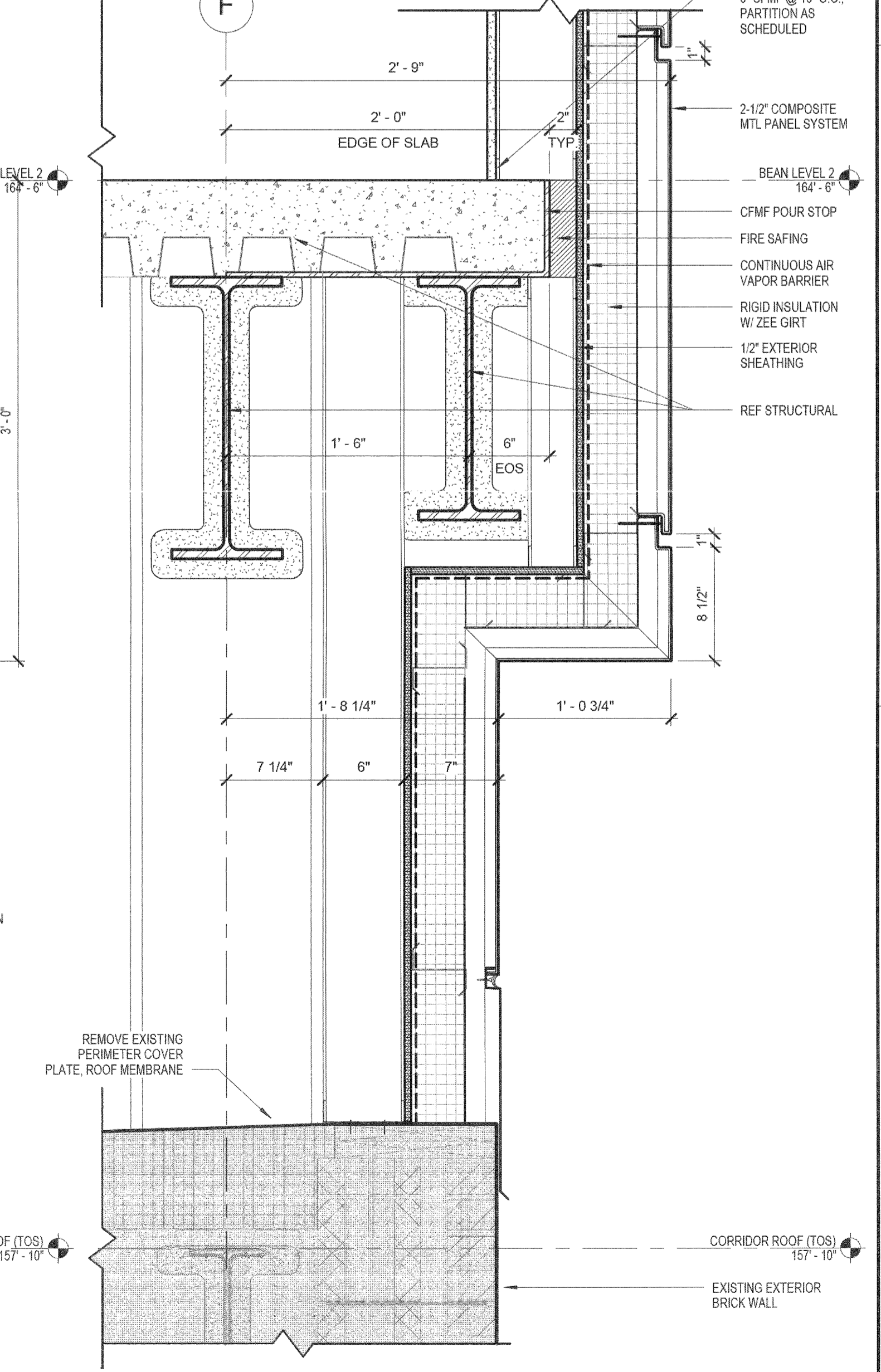
A2 SECTION DETAIL - EXPANSION JOINT @ SOUTH FACADE
1 1/2" = 1'-0"
REF: C2 / A11-20



D1 SECTION DETAIL - SOUTH FACADE PARAPET
1 1/2" = 1'-0"
REF: C2 / A11-20 ; C3 / A11-20 ; A3 / A11-25



C1 SECTION DETAIL - S FACADE MTL PANEL
1 1/2" = 1'-0"
REF: C3 / A11-20 (SIM) ; C2 / A11-20 (SIM) ; A3 / A11-25



A1 SECTION DETAIL - SOUTH FACADE BASE
1 1/2" = 1'-0"
REF: C3 / A11-20 ; B1 / A11-23

PERKINS + WILL
225 Franklin St., Suite 1100
Boston, MA 02110
617.439.0300
617.478.0321
www.perkinswill.com

Maine Medical Center
MaineHealth

Bean 2 Roof Addition
22 Bramhall Street, Portland, Maine 04102

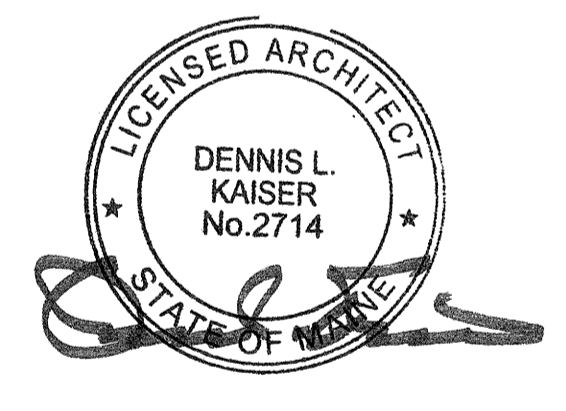
MEP ENGINEER
AKF ENGINEERS
41 Fansworth Street, 3rd Floor
Boston, MA 02210
617.737.1111
617.737.4311

STRUCTURAL ENGINEER
SIMPSON GUMPERTZ & HEGER
41 Seyon Street, Building 1, Suite 500
Woburn, MA 02453
781.907.9000
781.907.9009

MEDICAL EQUIPMENT PLANNERS
RTL ASSOCIATES INC.
1717 PACIFIC AVENUE
DALLAS, TX 75201
214.468.7600
214.468.7601

COST ESTIMATOR
DG JONES & PARTNERS
3 Baldwin Green Common, Suite 202
Woburn, MA 01801
781.932.3131
781.932.3199

CONSTRUCTION DOCUMENTS



Revisions

Issued for Permit	02/07/2014
Addendum #3	01/17/2014
NO	ISSUE
NO	DATE
Sheet Information	
Date	SEPTEMBER 10, 2013
Job #	C140135461 (MMC) 152168.000
Drawn	Author
Checked	Checker
Approved	Approver
Title	

EXTERIOR DETAILS

Sheet
A11-50

Copyright © 2011 Perkins+Will

3/10/2014 4:25:42 PM
c:\pwworking\perkinswill\proj\140135461\152168.dwg