

**Bean 2 Roof  
Addition**  
22 Bramhall Street, Portland,  
Maine 04102

MEP ENGINEER  
AKF ENGINEERS

41 Farnsworth Street, 3rd Floor  
Boston, MA 02210  
1.617.737.1111  
1.617.737.4311

STRUCTURAL ENGINEER

SIMPSON GUMPERTZ &  
HEGER  
41 Seyon Street, Building 1, Suite 500  
Walham, MA 02453  
1.781.907.9000  
1.781.907.9009

MEDICAL EQUIPMENT PLANNERS

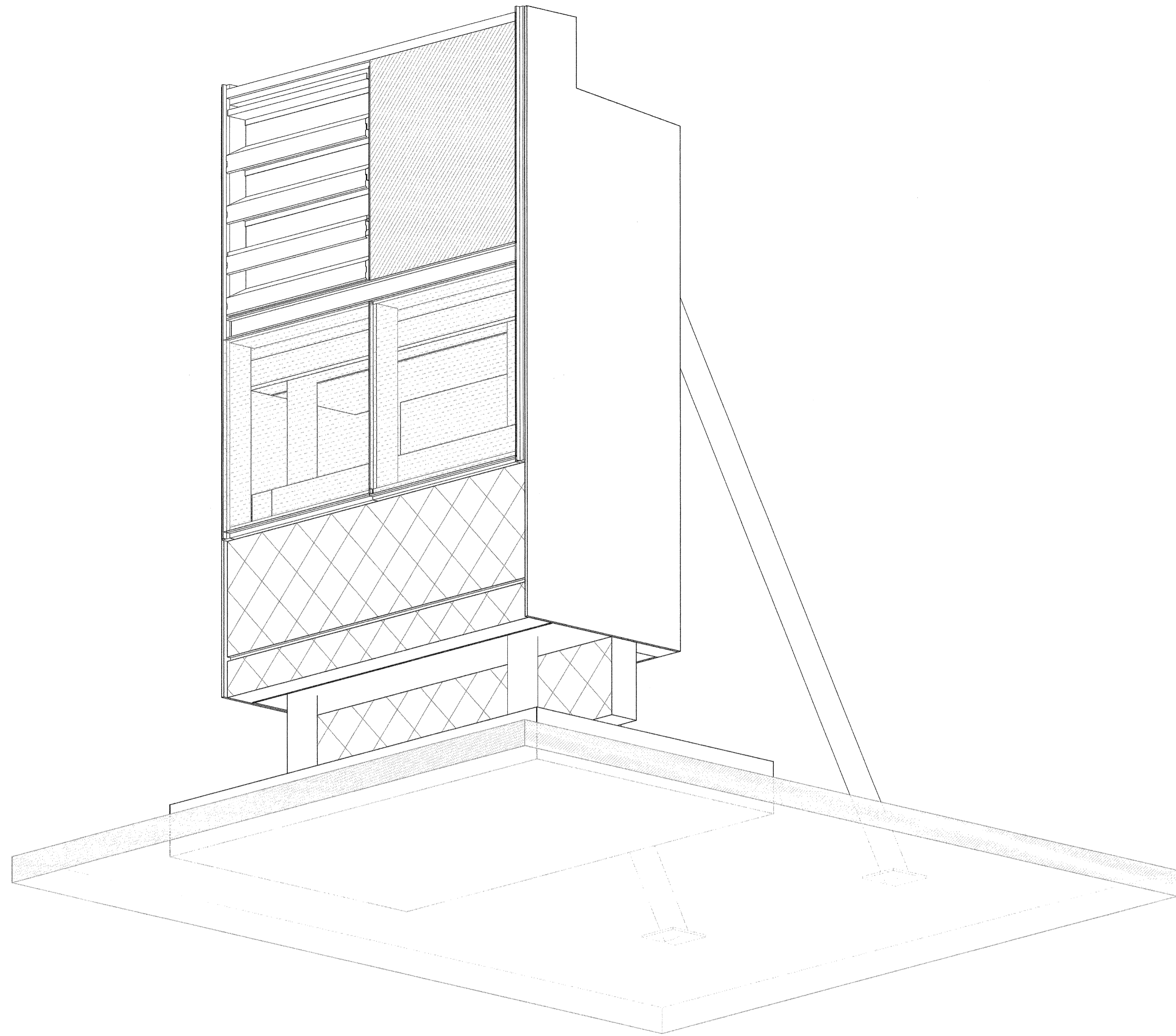
RTKL ASSOCIATES INC.

1717 PACIFIC AVENUE  
DALLAS, TX 75201  
1.214.468.7600  
1.214.468.7601

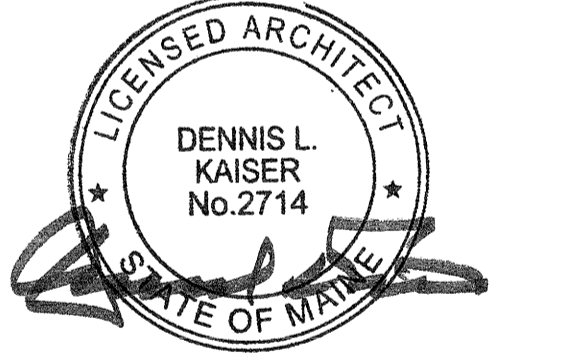
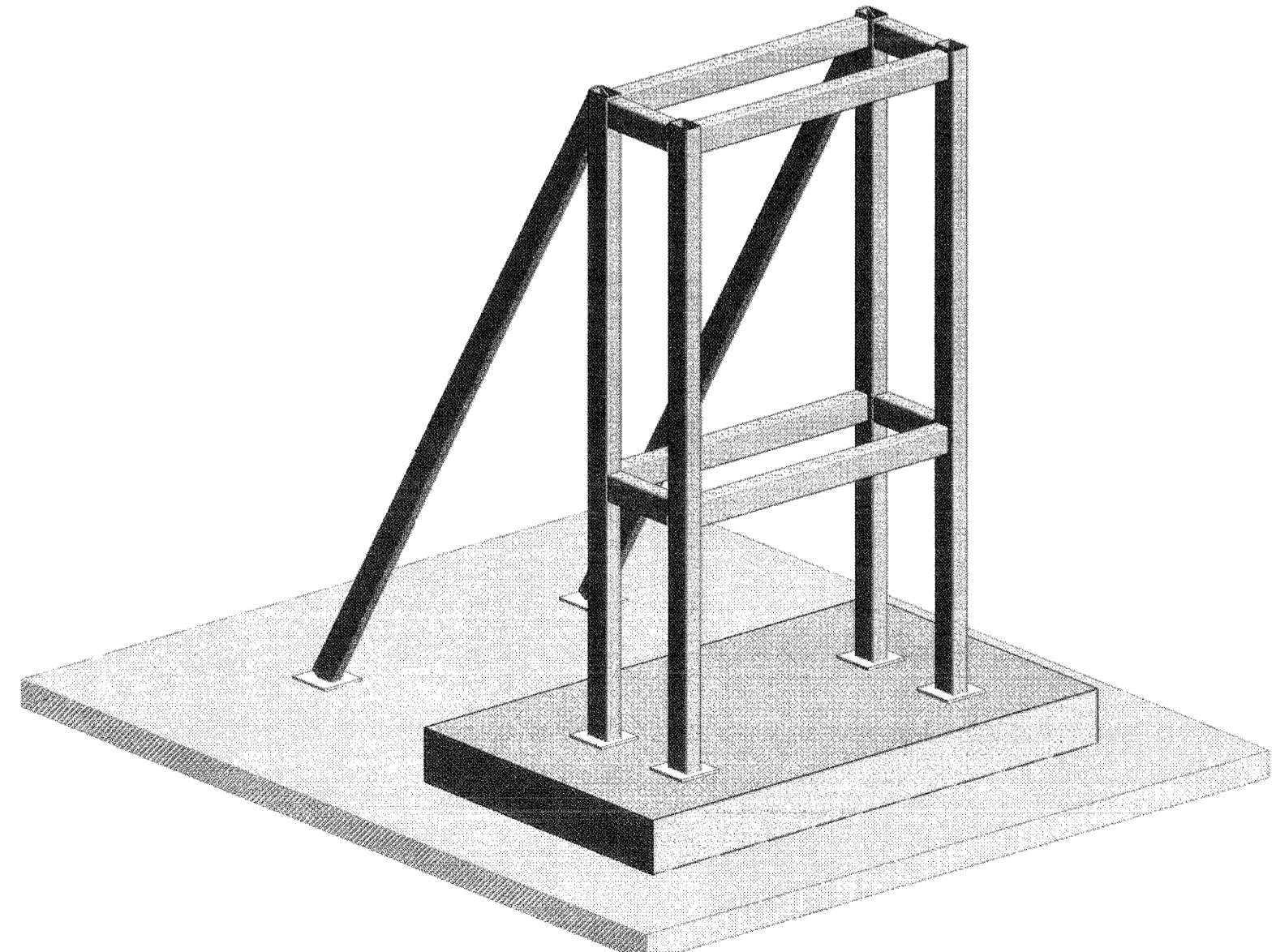
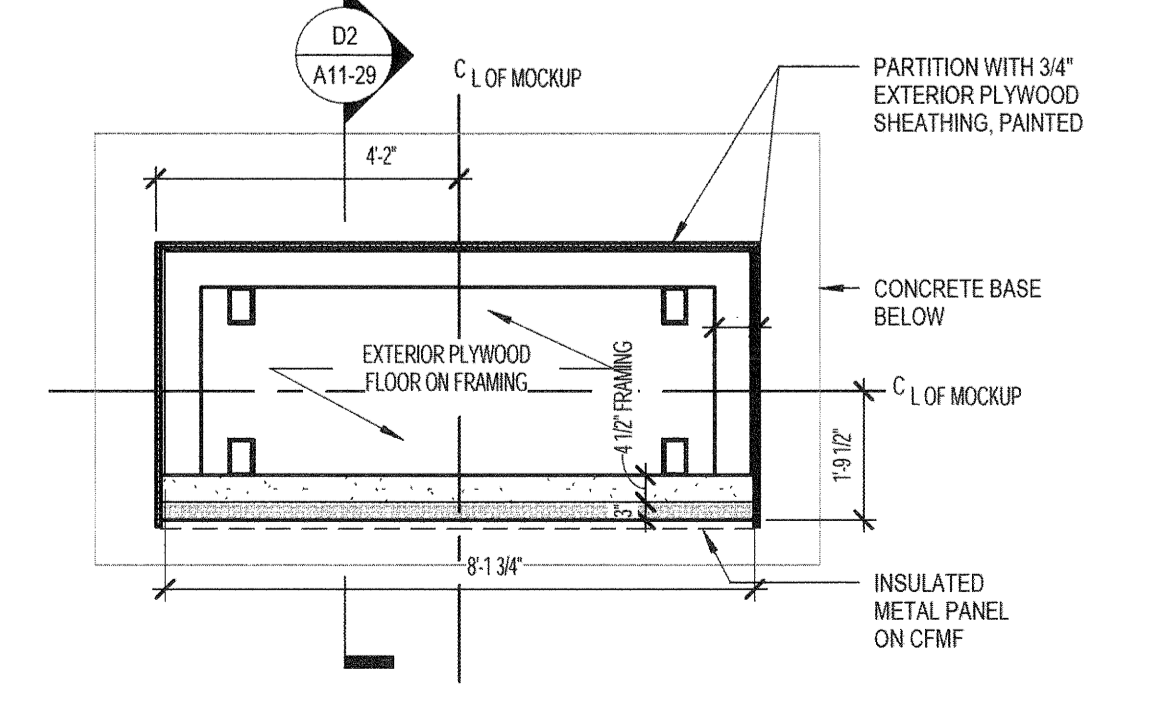
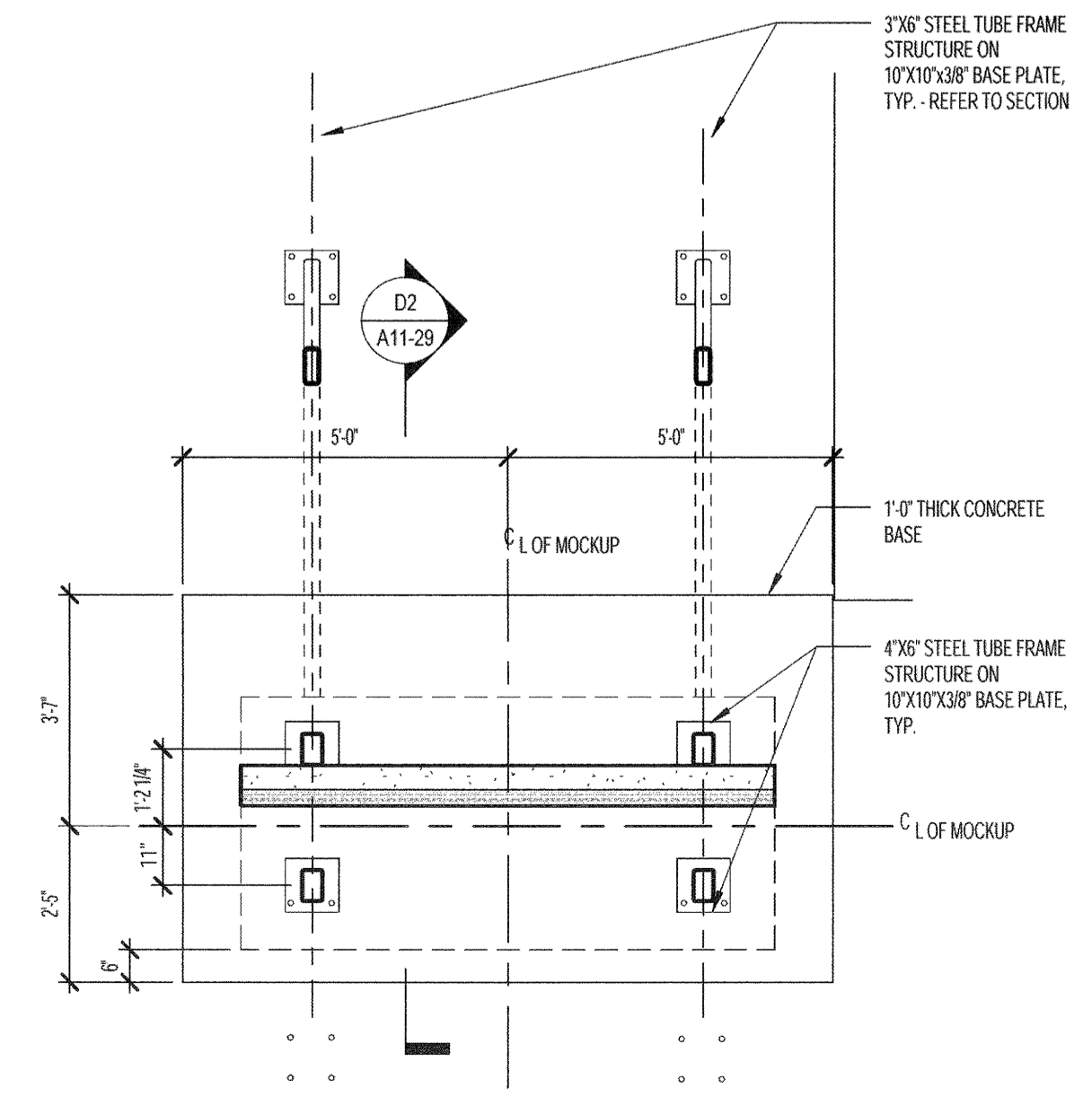
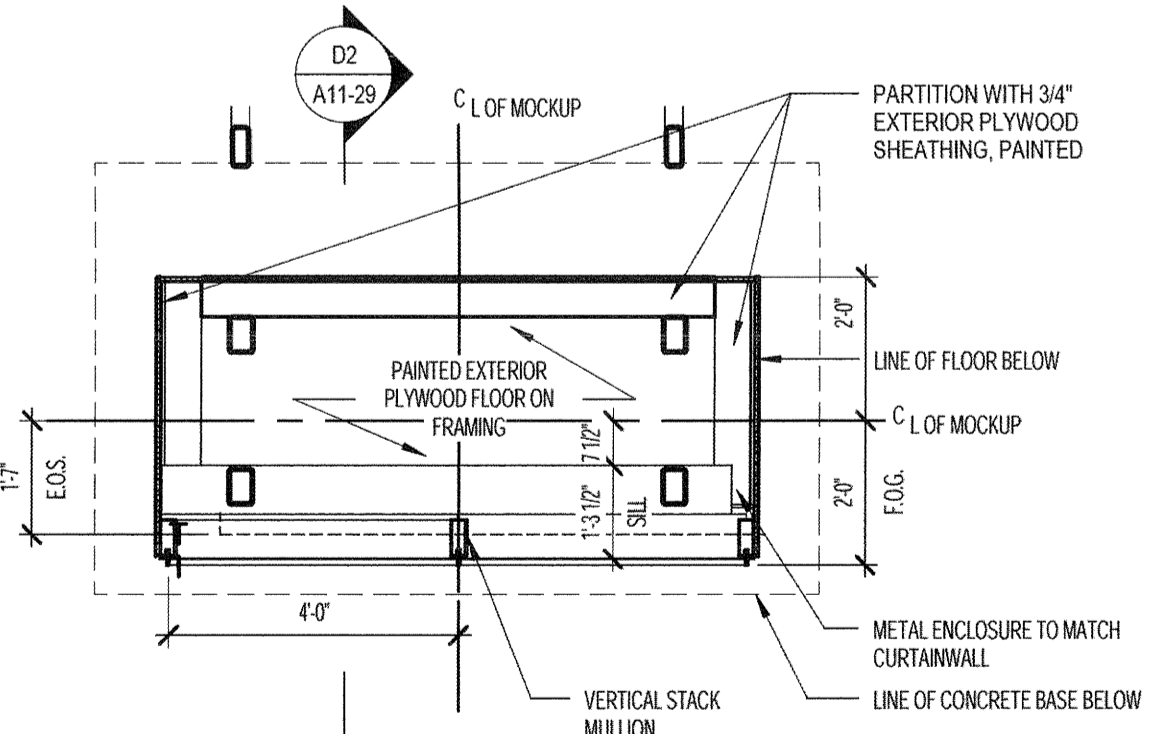
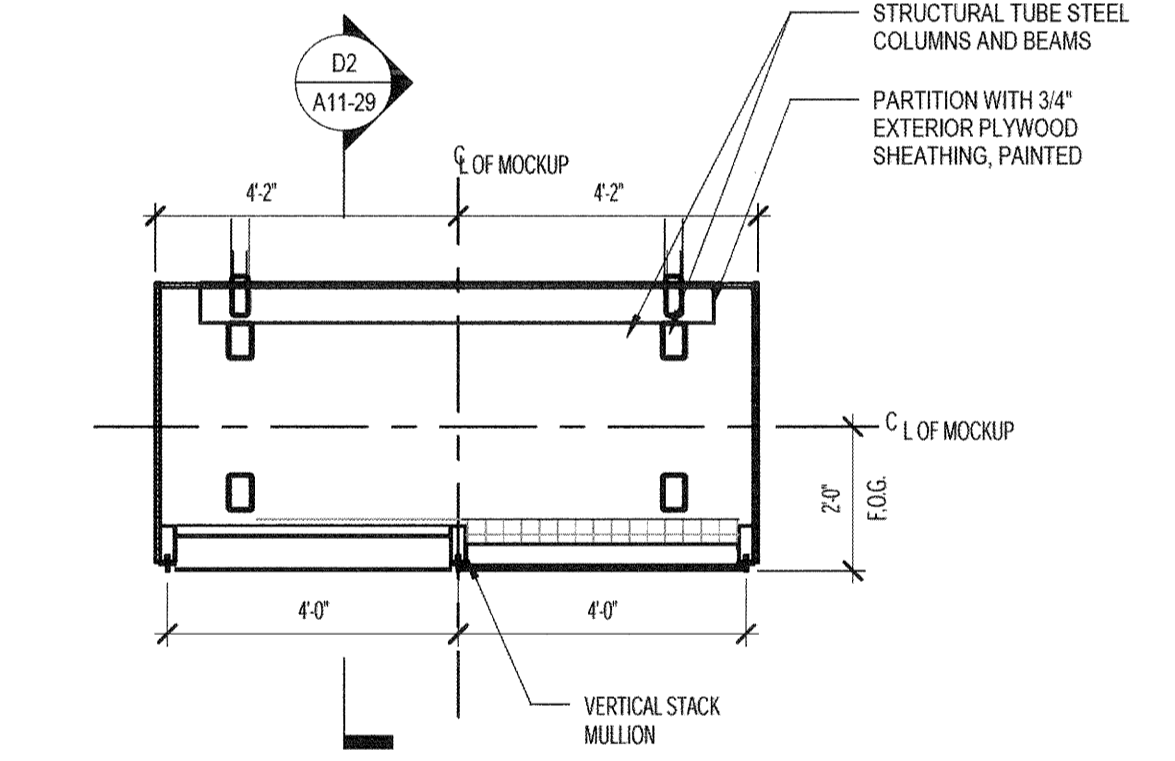
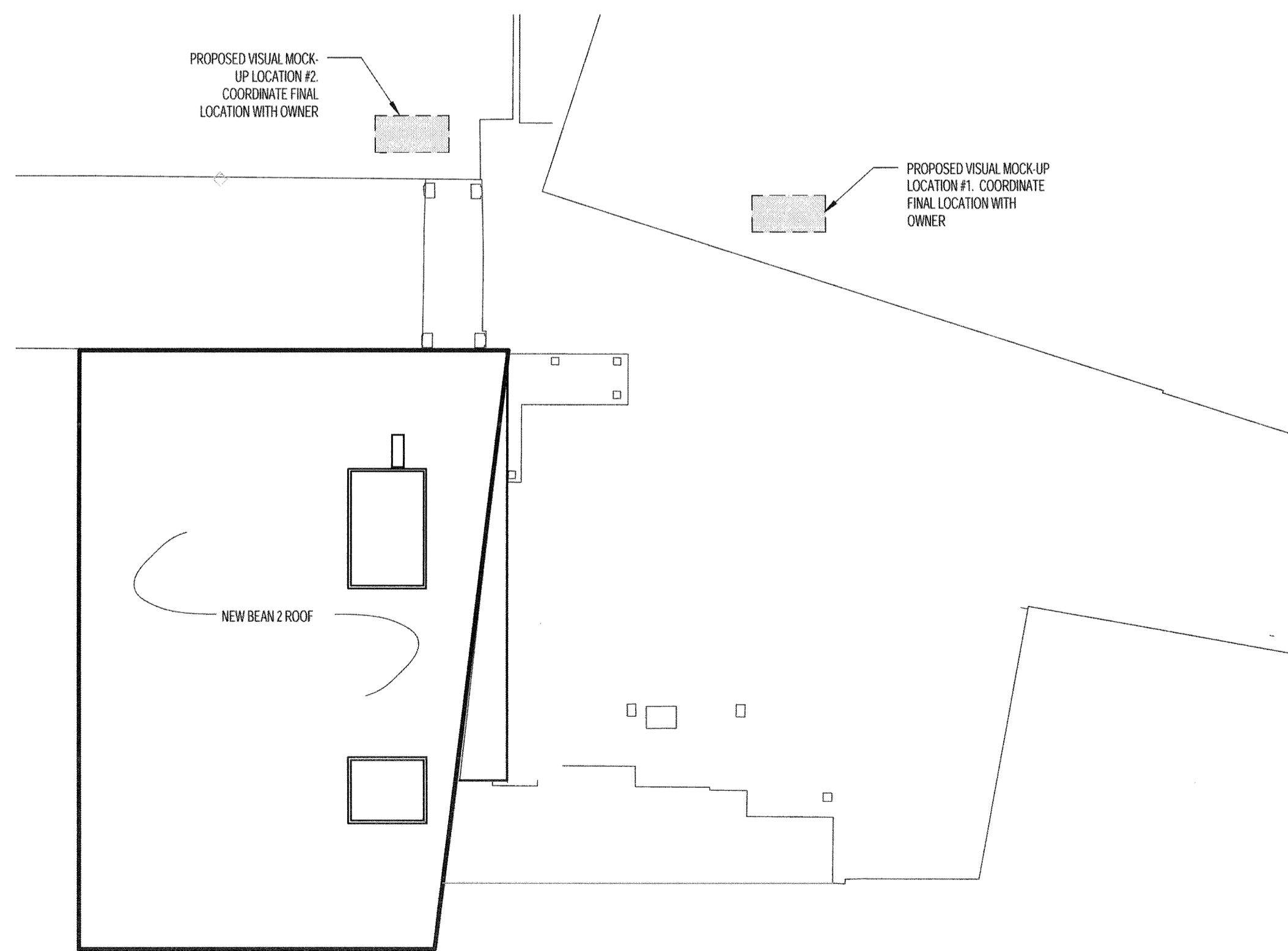
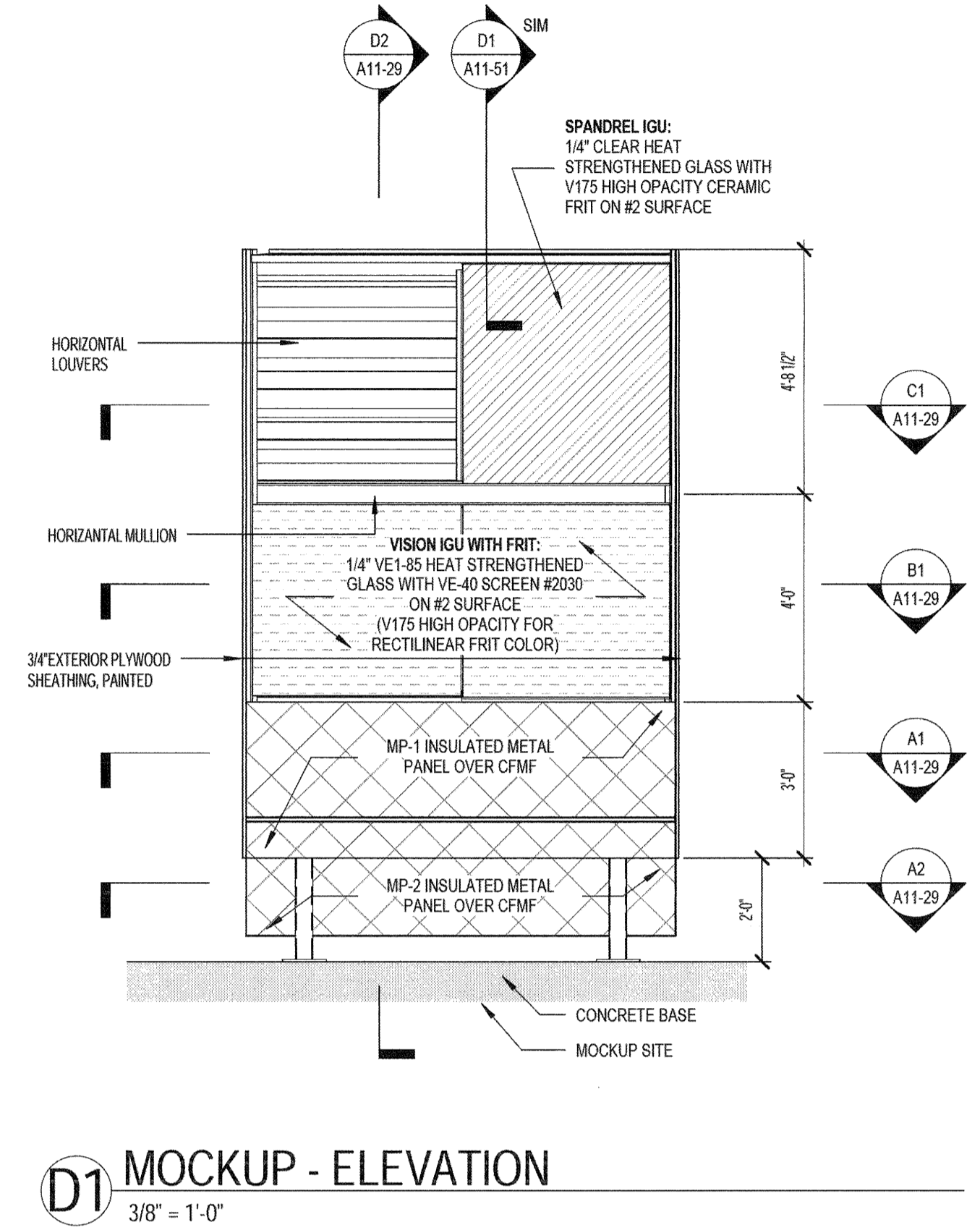
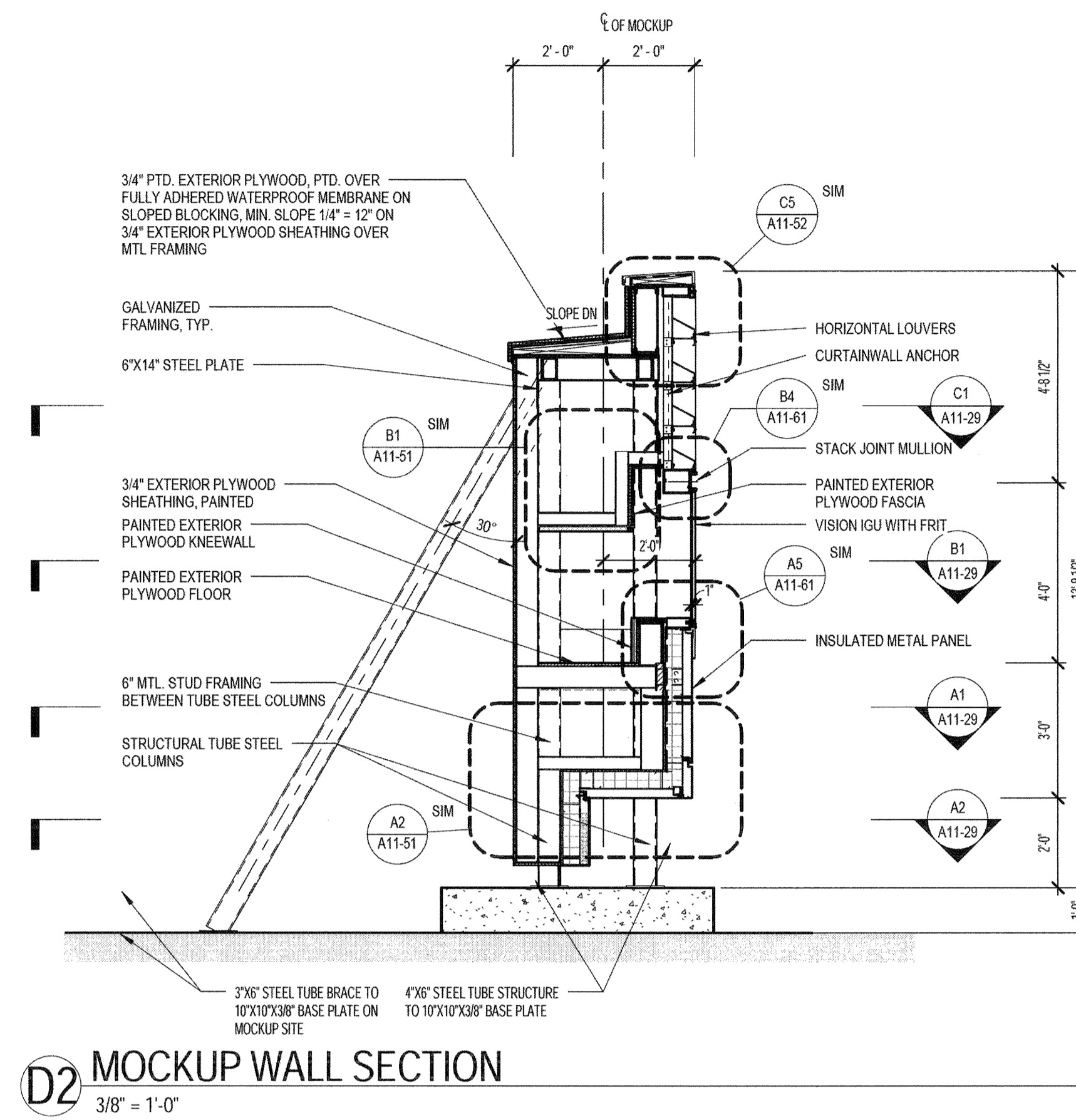
COST ESTIMATOR

DG JONES & PARTNERS

3 Baldwin Green Common, Suite 202  
Walham, MA 01901  
1.781.932.3131  
1.781.932.3199



**D3** MOCKUP AXON  
FOR DIAGRAMMATIC PURPOSES ONLY



**Revisions**

NO.	ISSUE	DATE

**Sheet Information**  
Date: SEPTEMBER 10, 2013  
Job #: C140135461 (MMC) 152168.000  
Drawn: \_\_\_\_\_ Author: \_\_\_\_\_  
Checked: \_\_\_\_\_ Checker: \_\_\_\_\_  
Approved: \_\_\_\_\_ Approver: \_\_\_\_\_

**TITLE**  
VISUAL MOCK-UP  
ELEVATIONS,  
PLANS, AND  
SECTIONS