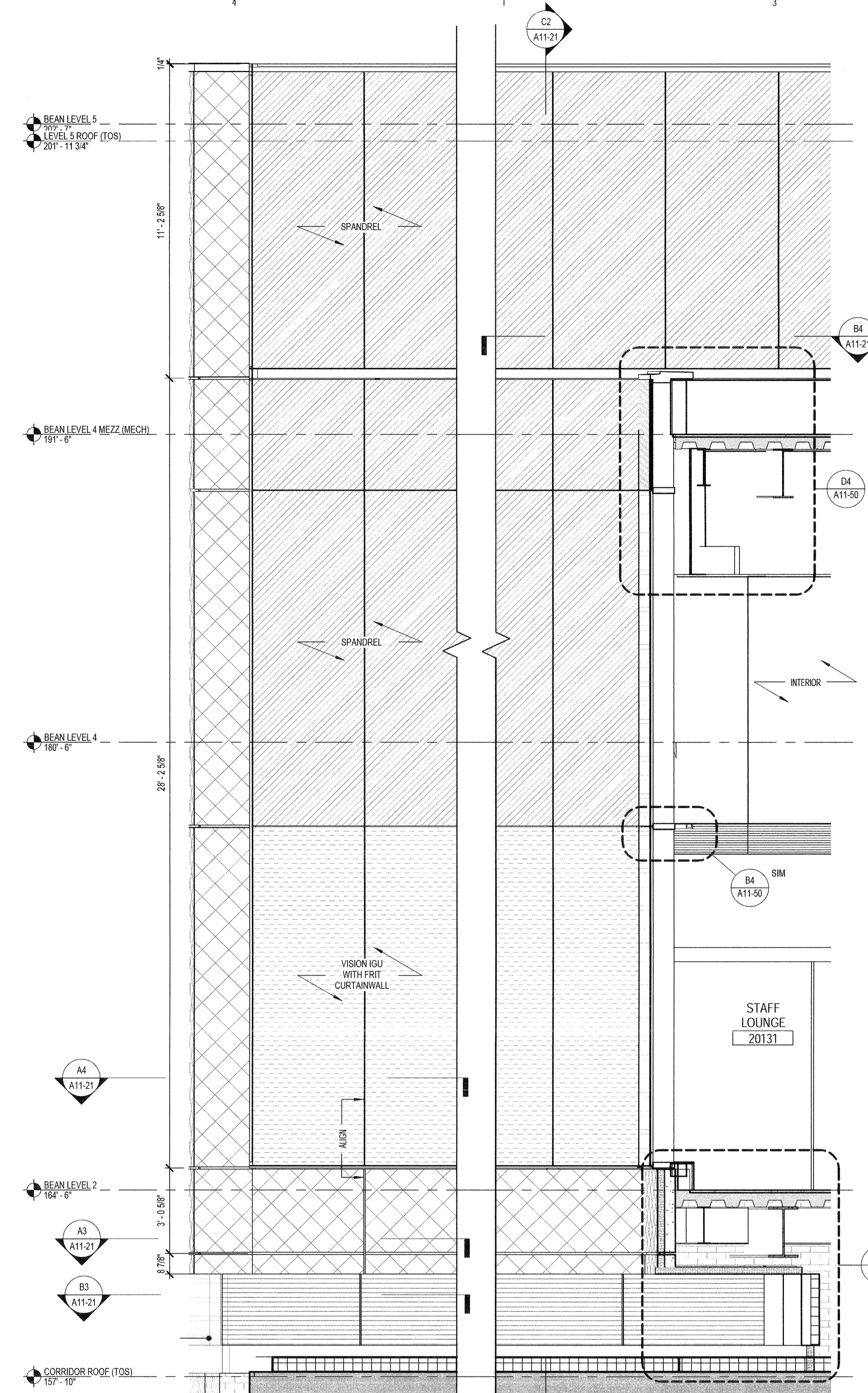
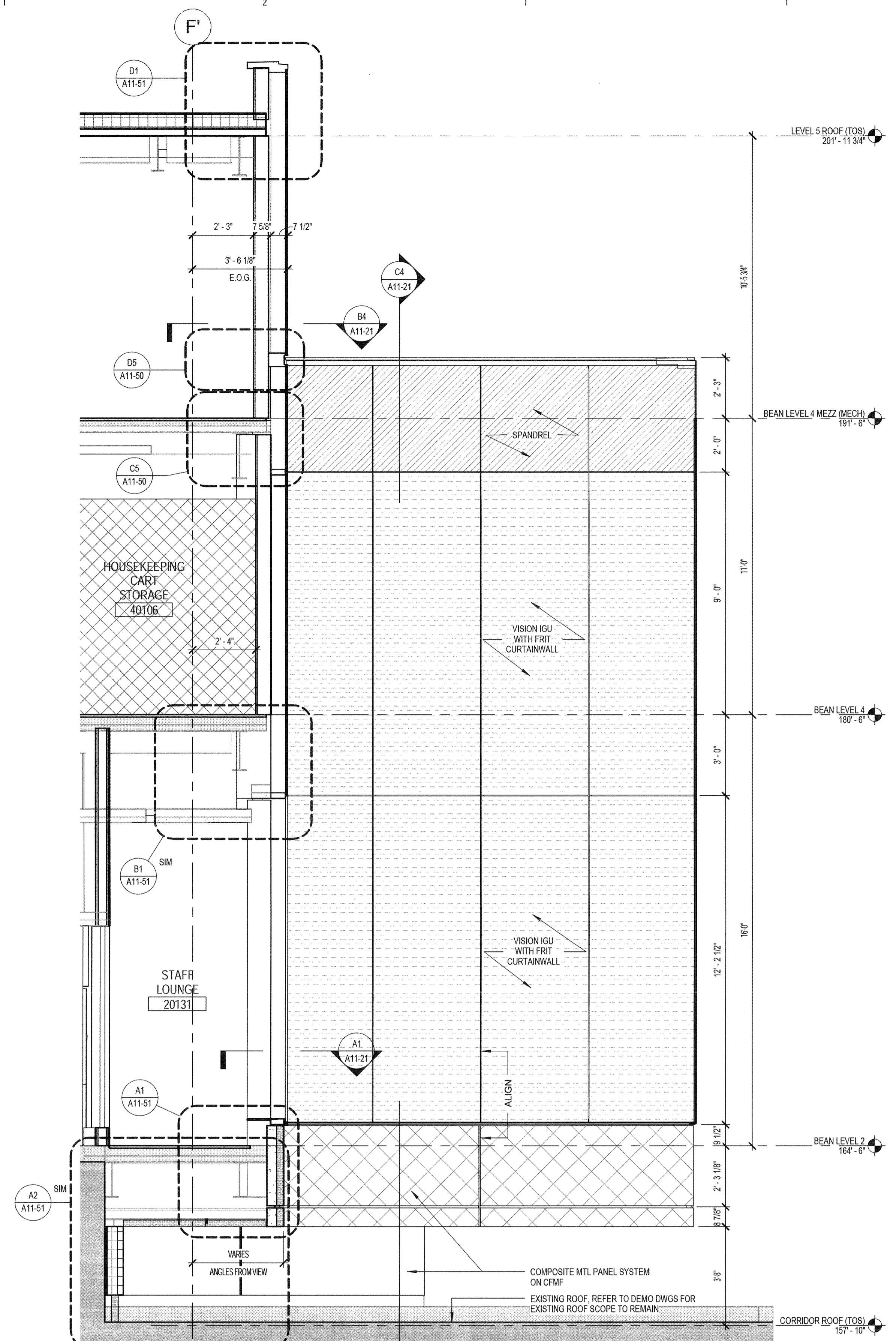


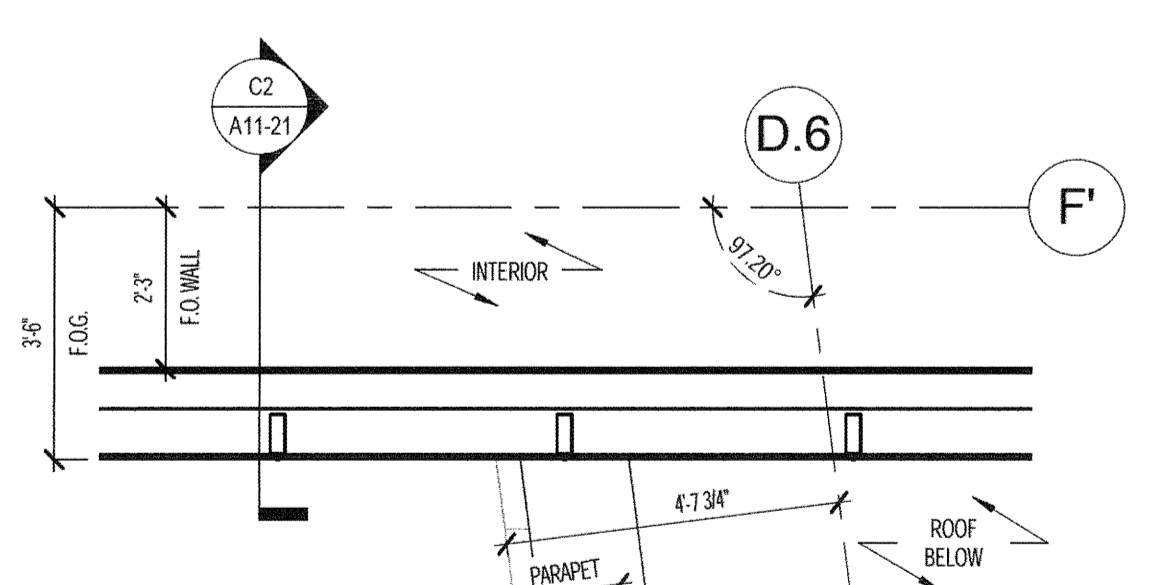
D5 PERSPECTIVE ANGLED E FACADE
FOR DIAGRAMMATIC PURPOSES ONLY



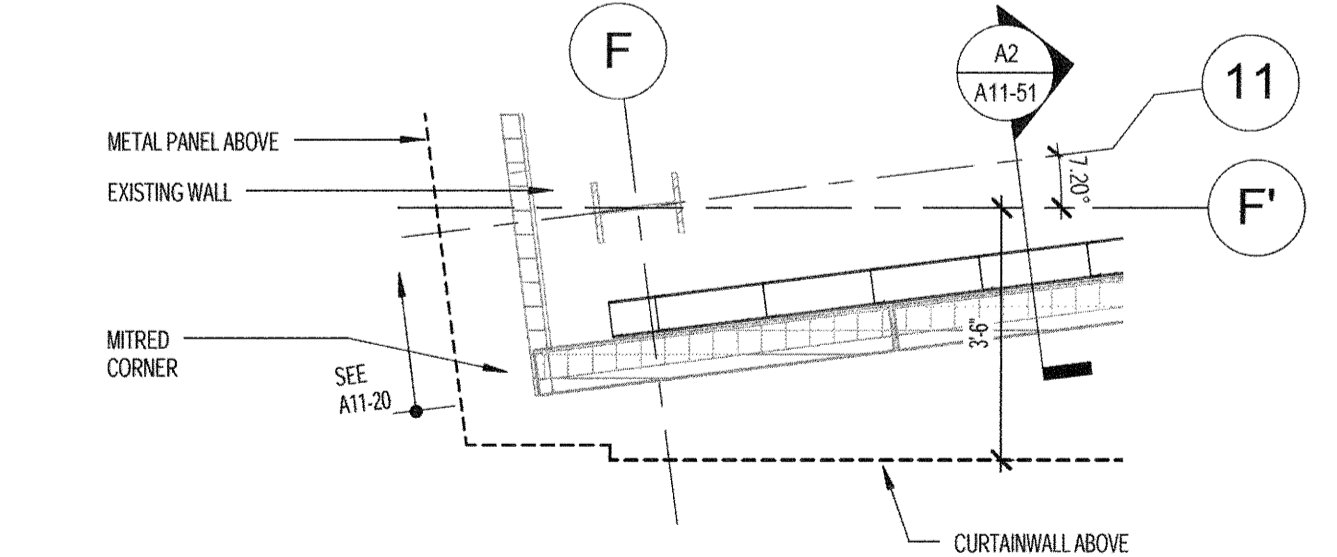
C4 PARTIAL ELEVATION - ANGLED EAST FACADE
3/8" = 1'-0" REF: A4 / A11-01



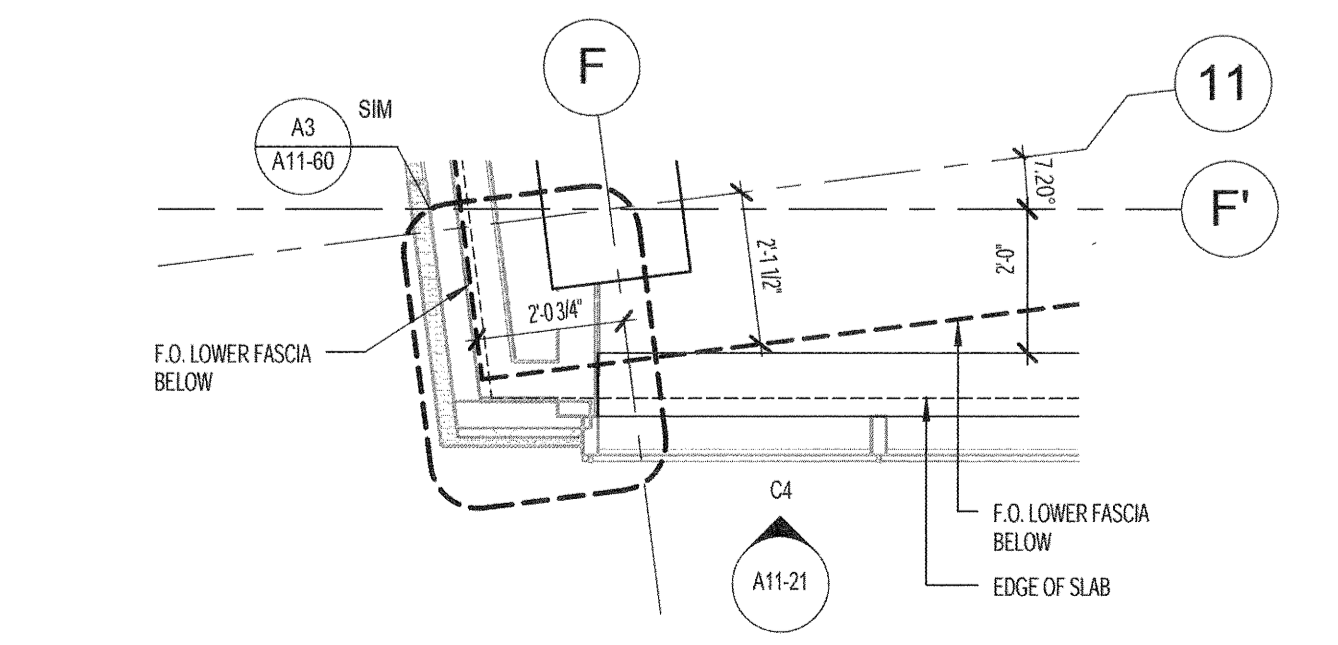
C2 PARTIAL ELEVATION - ANGLED SOUTH FACADE
3/8" = 1'-0"



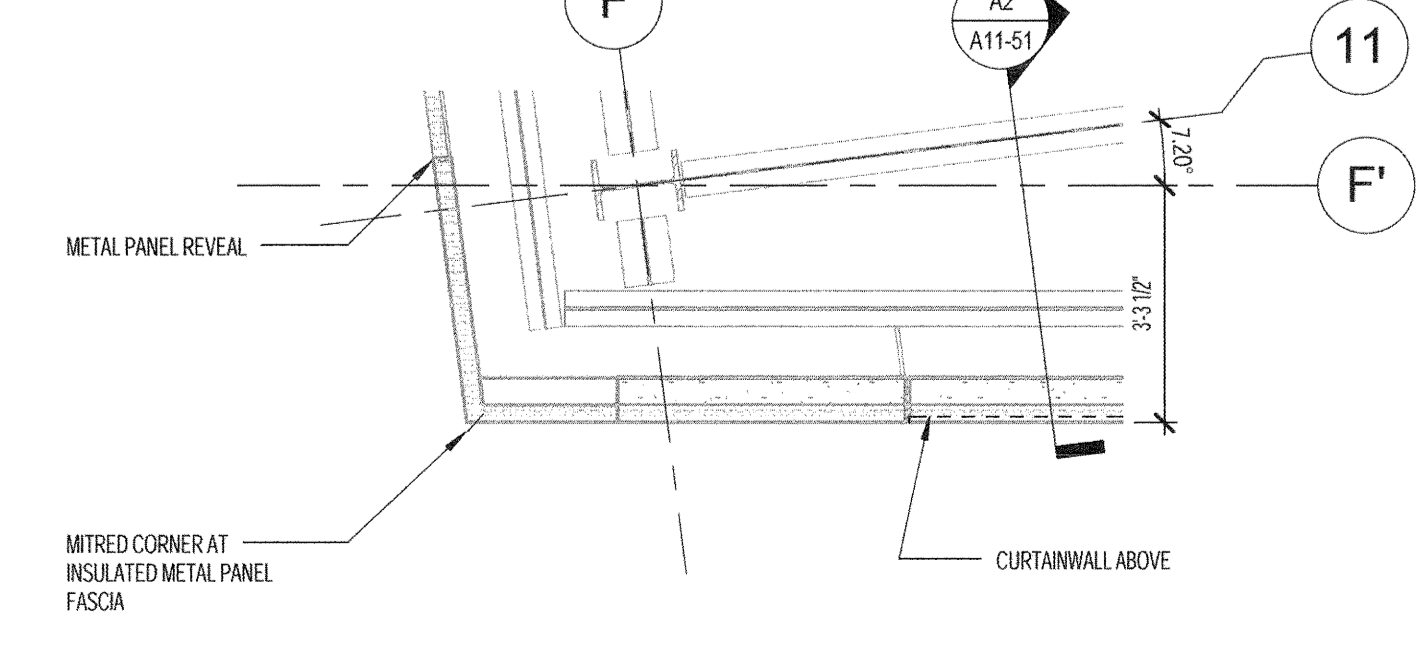
B4 PARTIAL PLAN - ANGLED E FACADE
3/8" = 1'-0"



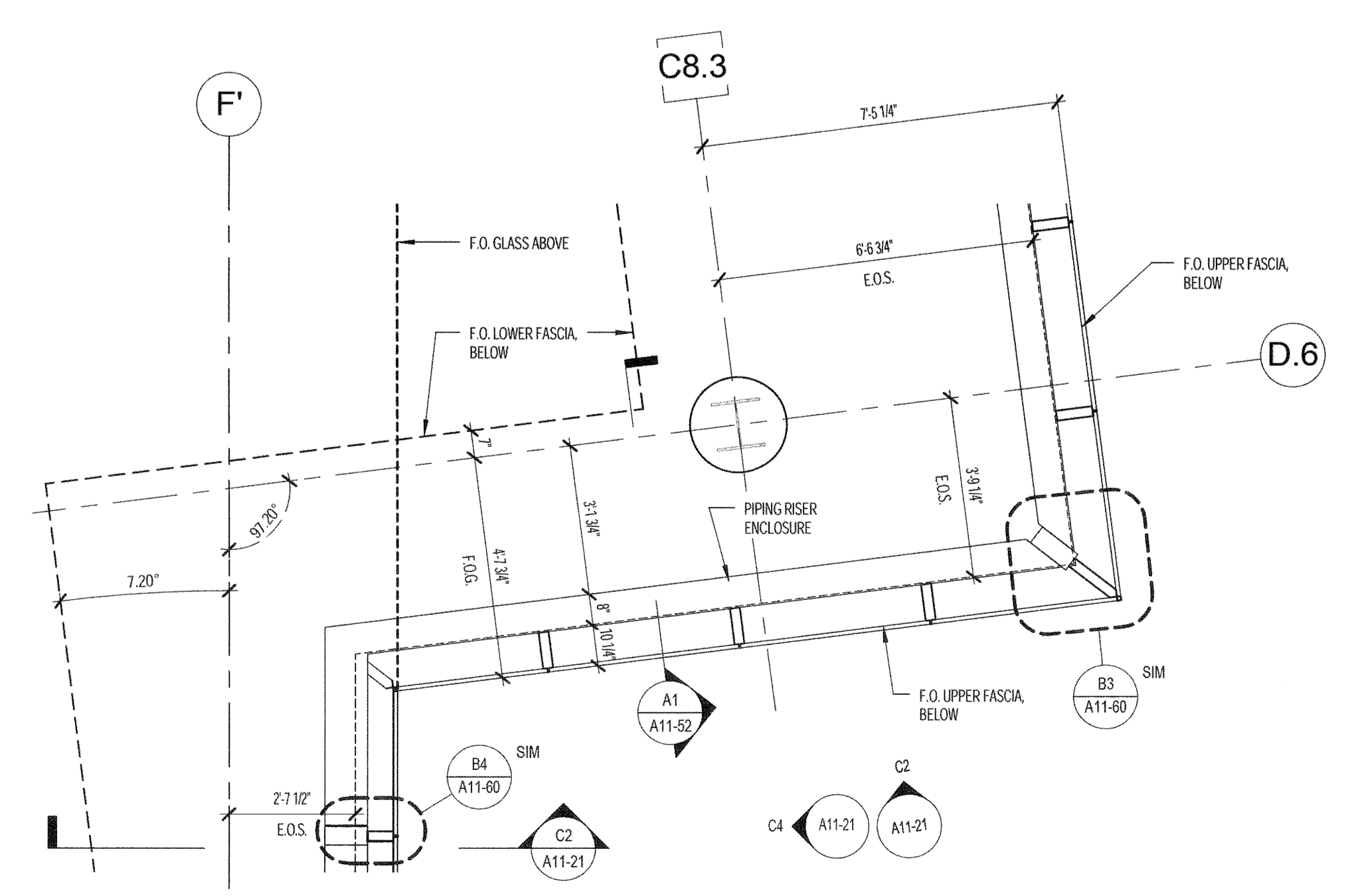
B3 PARTIAL PLAN - LOWER FASCIA @ SE CORNER
3/8" = 1'-0" REF: C1 / A11-20



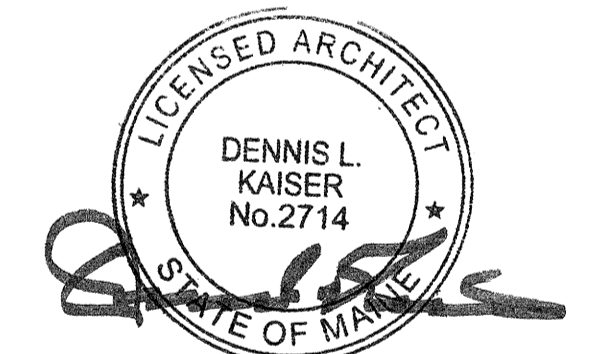
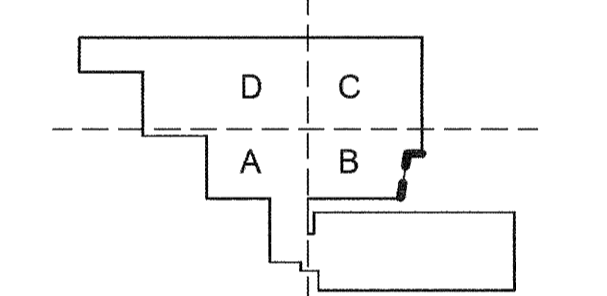
A4 PARTIAL PLAN - LEVEL 2 @ SE CORNER
3/8" = 1'-0"



A3 PARTIAL PLAN - UPPER FASCIA @ SE CORNER
3/8" = 1'-0" REF: C1 / A11-20



A1 PARTIAL PLAN - SOUTH FACADE @ LOUNGE
3/8" = 1'-0"



Revisions

NO.	ISSUE	DATE

Sheet Information
Date: SEPTEMBER 10, 2013
Job #: C140135461 (MMC) 152168.000
Drawn: Author
Checked: Checker
Approved: Approver

ENLARGED PARTIAL ELEVATIONS, PLANS, & SECTIONS