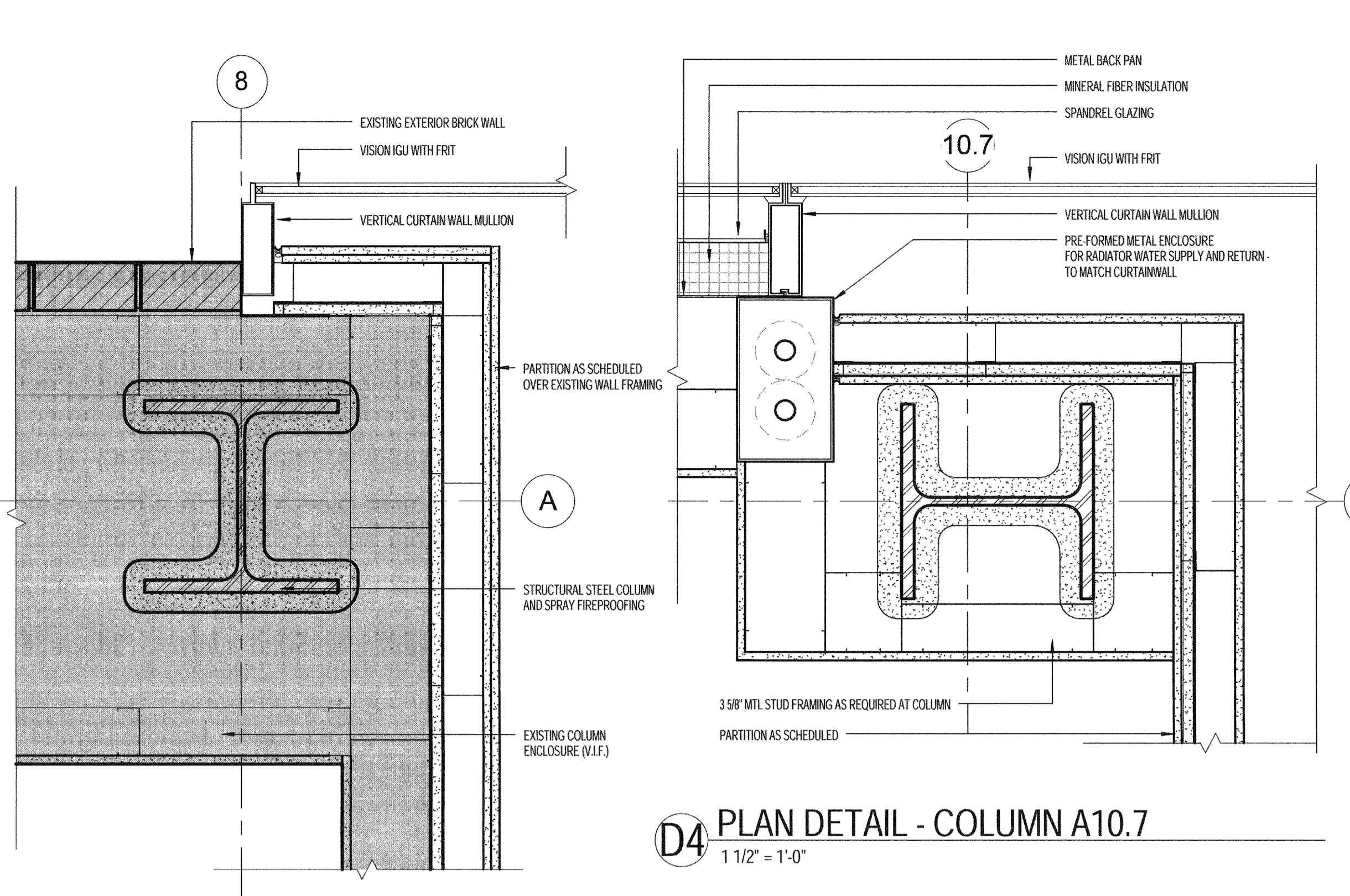


Revisions

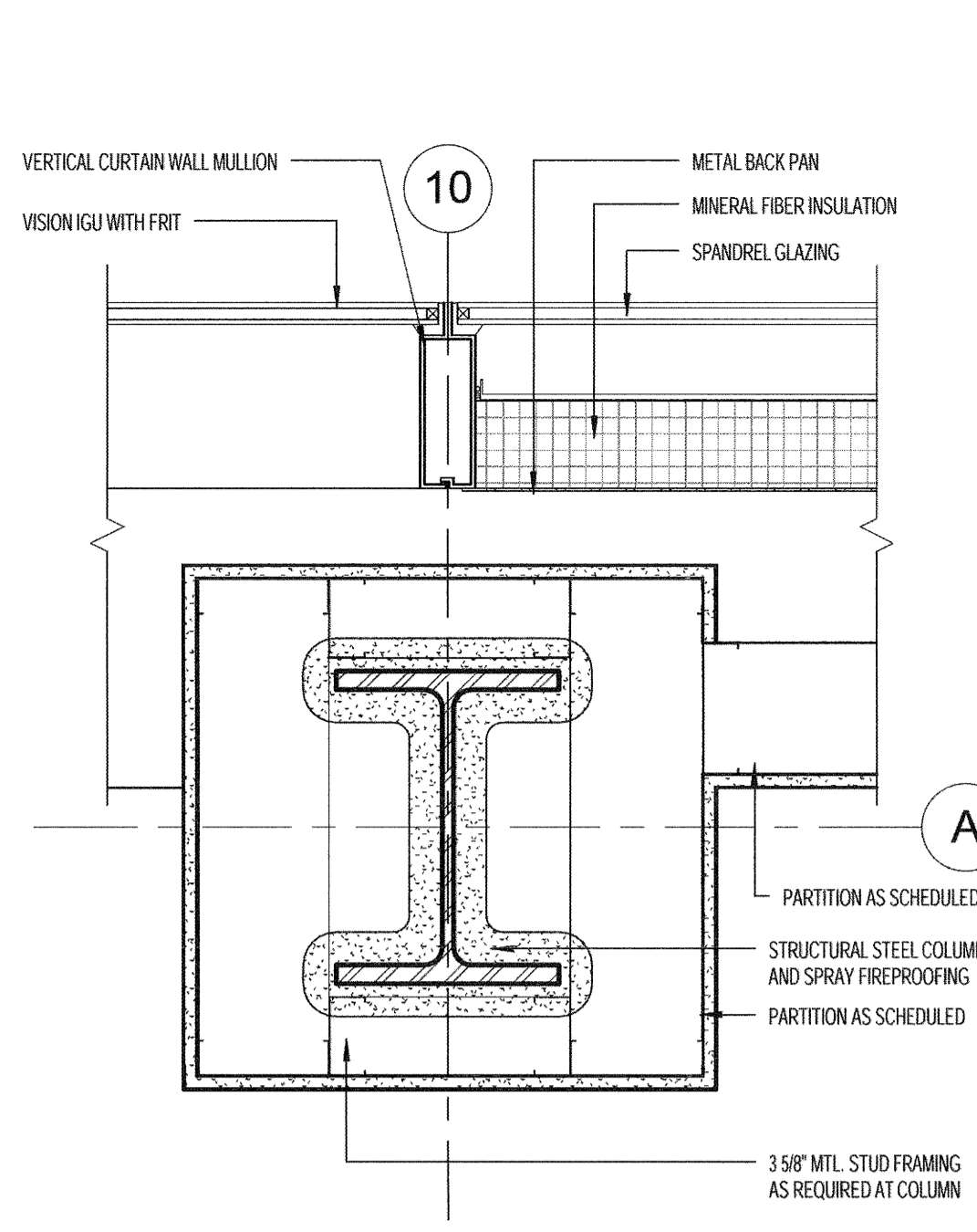
NO.	ISSUE	DATE
1	ISSUED FOR PERMIT	02/07/2014
2	ISSUED FOR PERMIT	02/07/2014

Sheet Information
Date: SEPTEMBER 10, 2013
Job #: C140135461 (MMC) 152168.000
Drawn: Author
Checked: Checker
Approved: Approver
Title

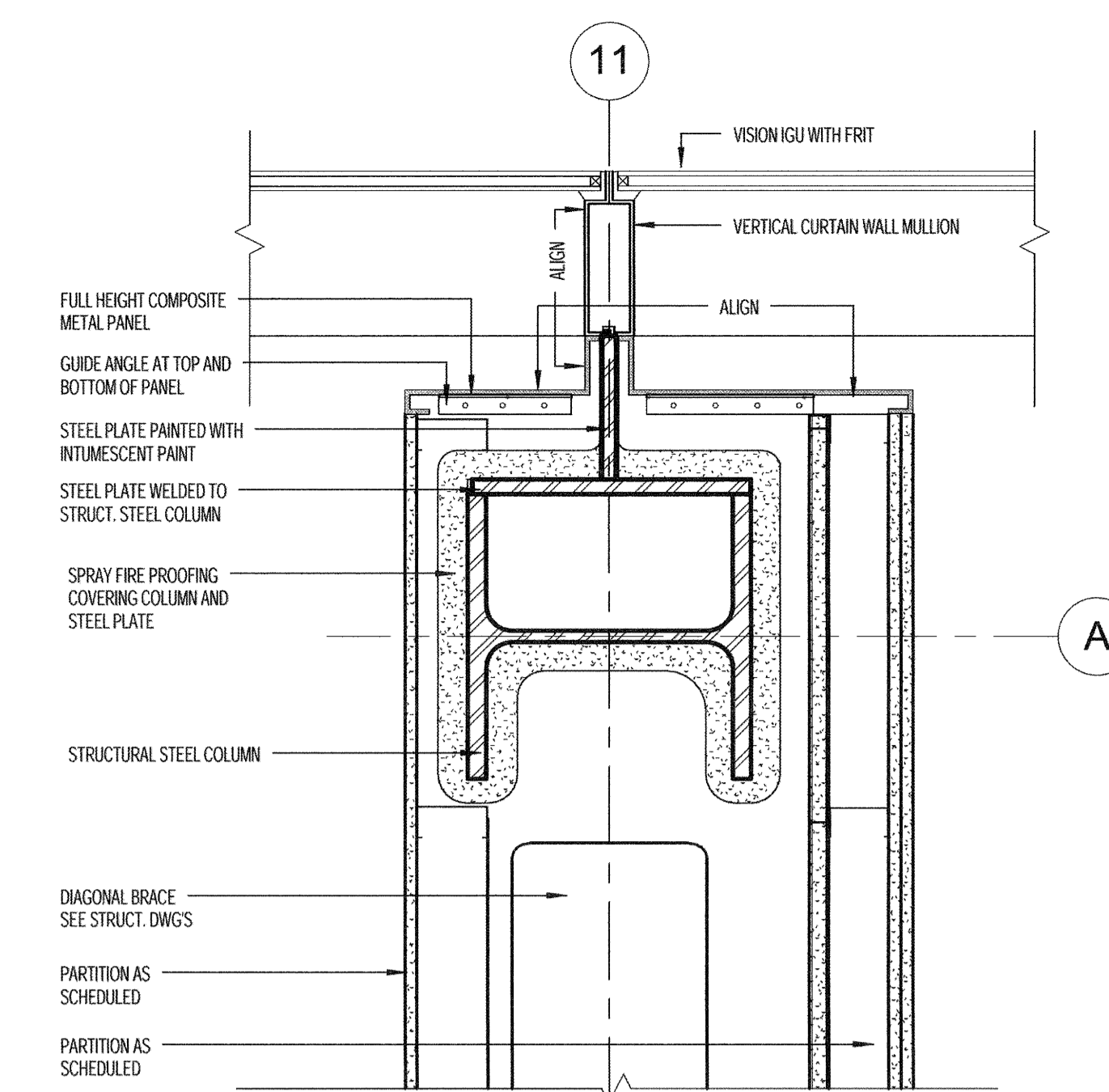
**INTERIOR DETAILS
- COLUMN
ENCLOSURES**



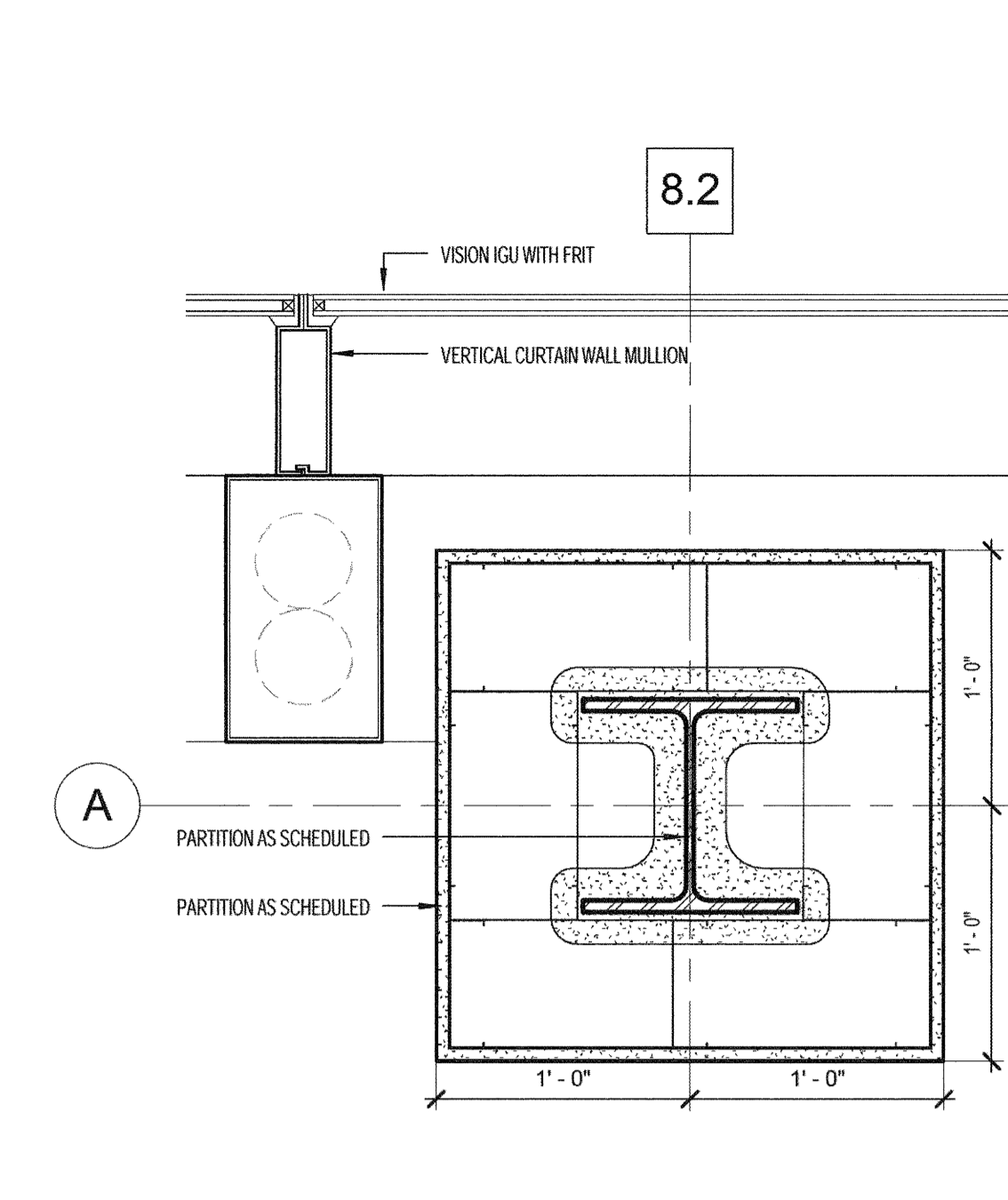
D4 PLAN DETAIL - COLUMN A10.7
1 1/2" = 1'-0"



D3 PLAN DETAIL - COLUMN A10
1 1/2" = 1'-0"

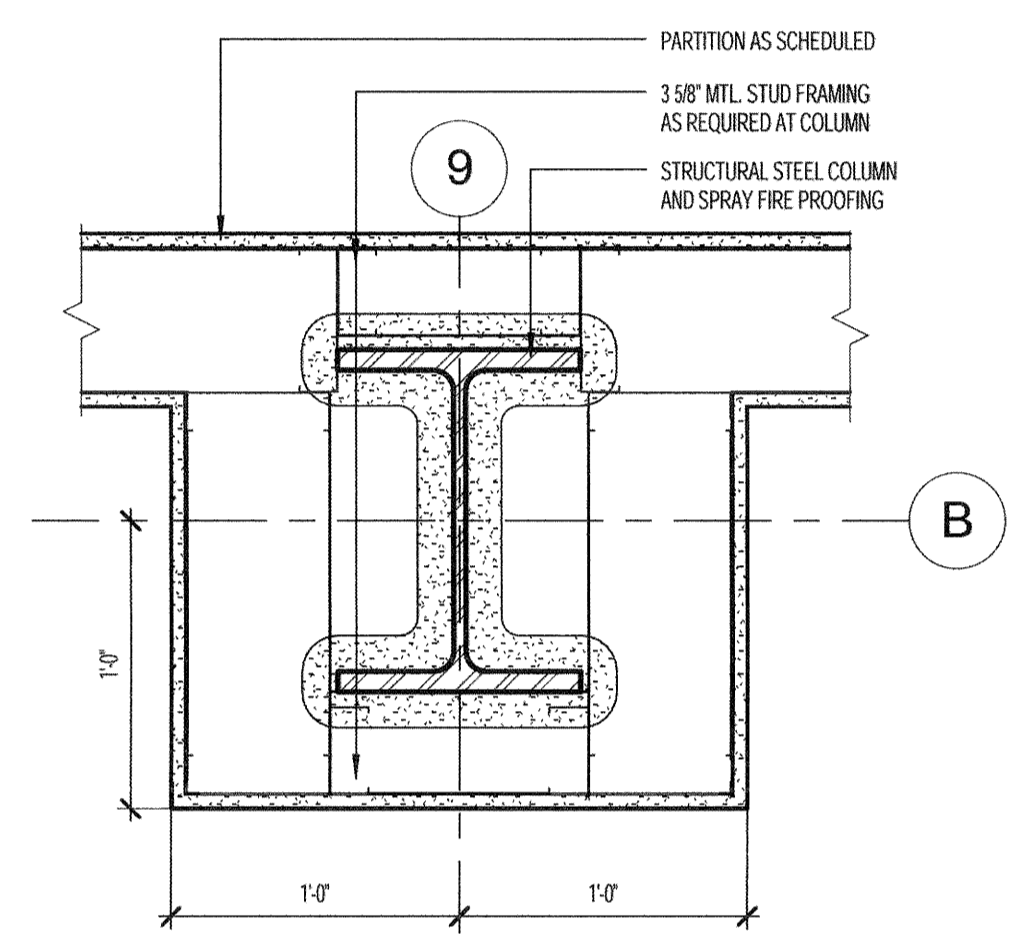


D2 PLAN DETAIL - COLUMN A11
1 1/2" = 1'-0"

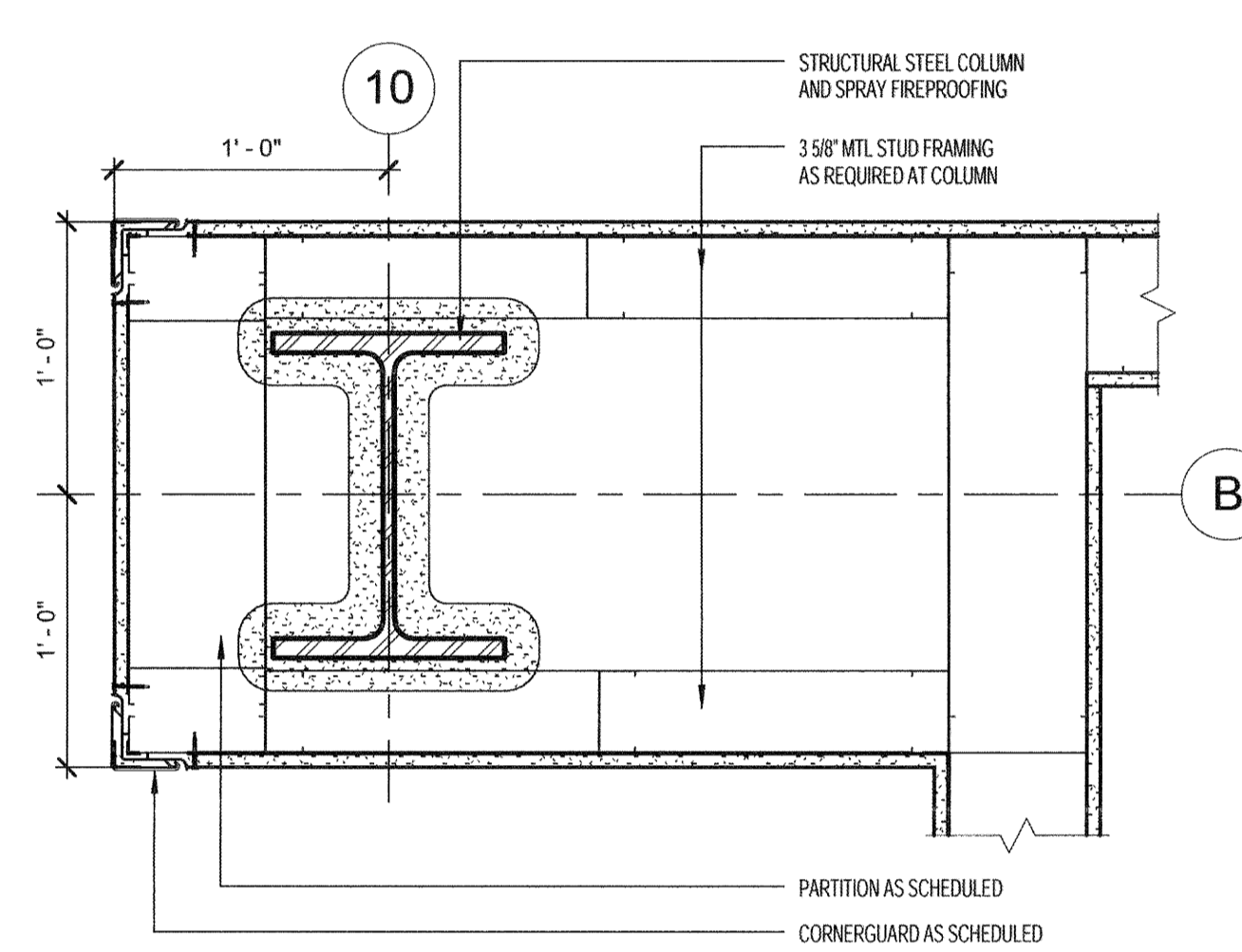


D1 PLAN DETAIL - COLUMN A8.2
1 1/2" = 1'-0"

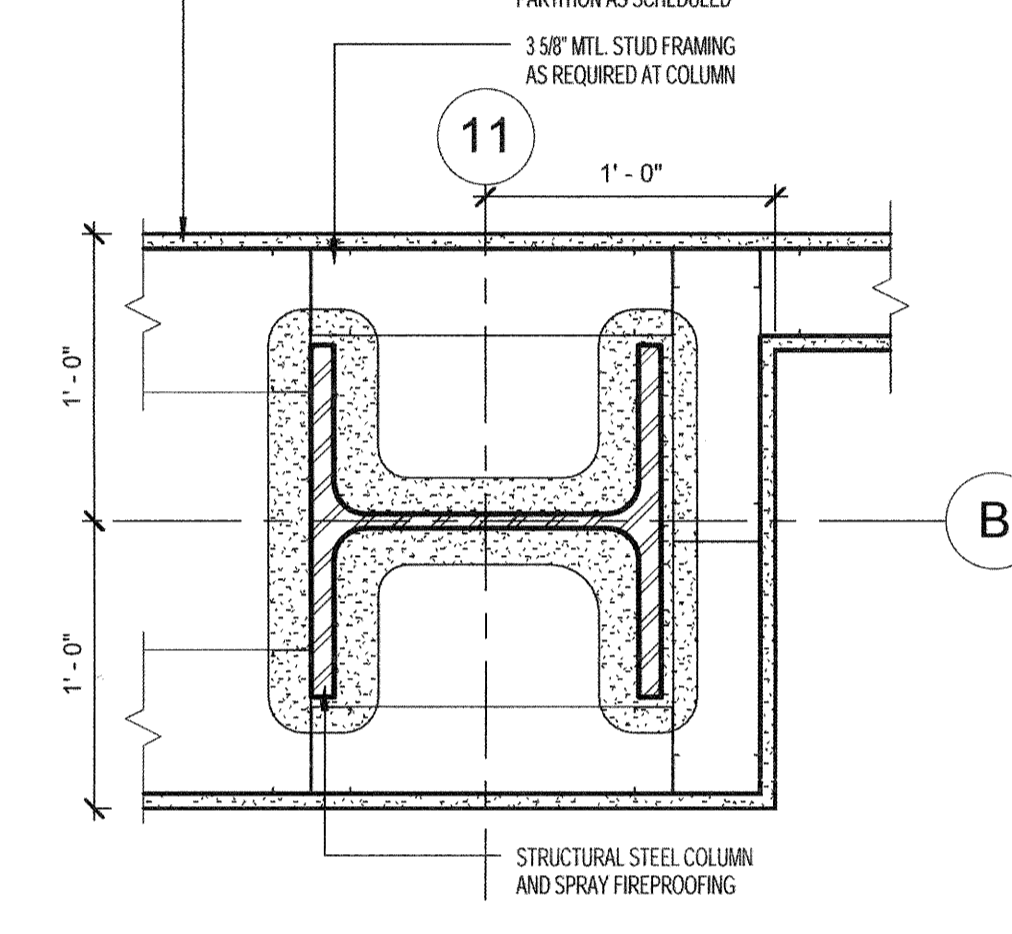
D5 PLAN DETAIL - COLUMN A8
1 1/2" = 1'-0"



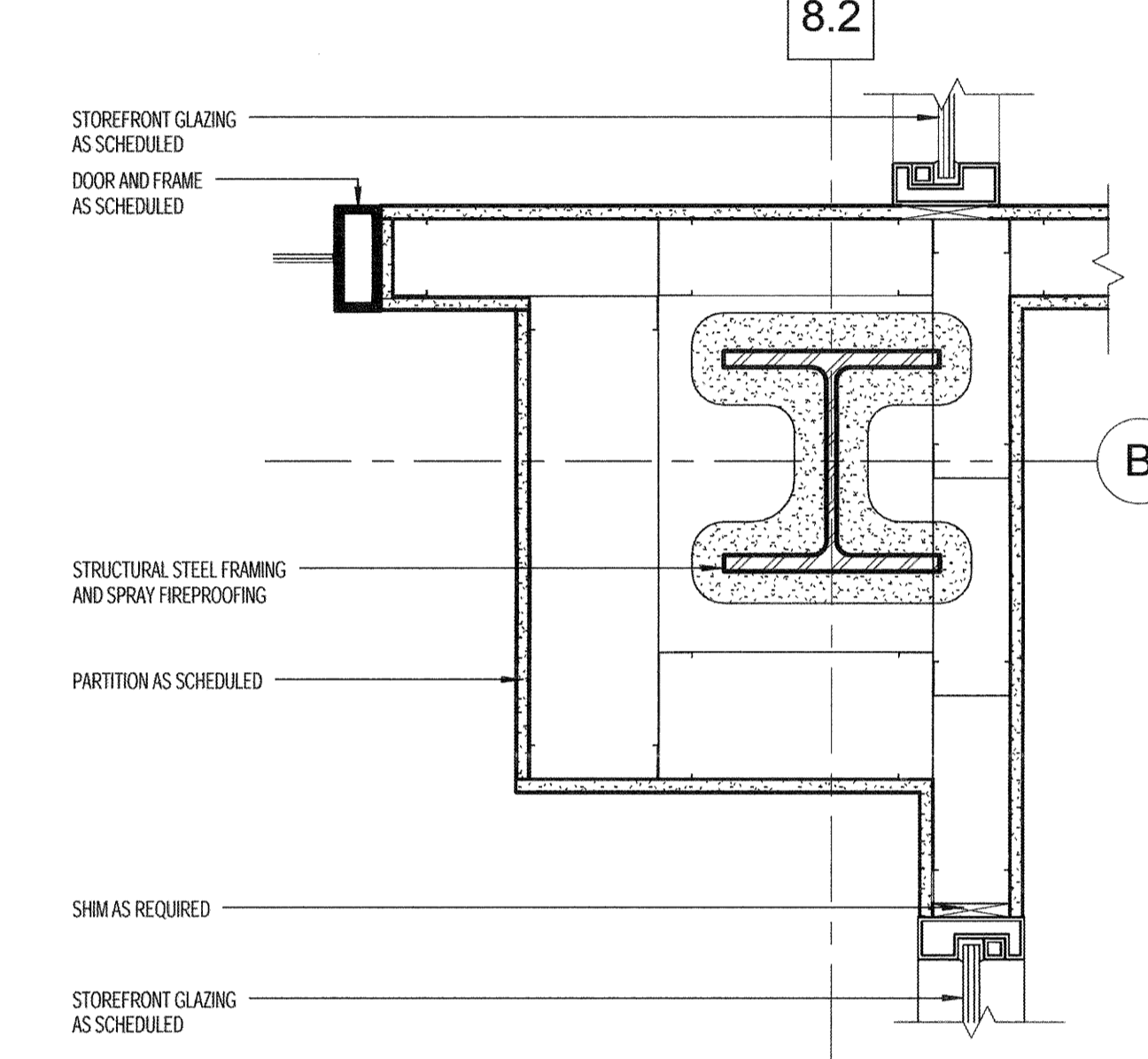
C4 PLAN DETAIL - COLUMN B9
1 1/2" = 1'-0"



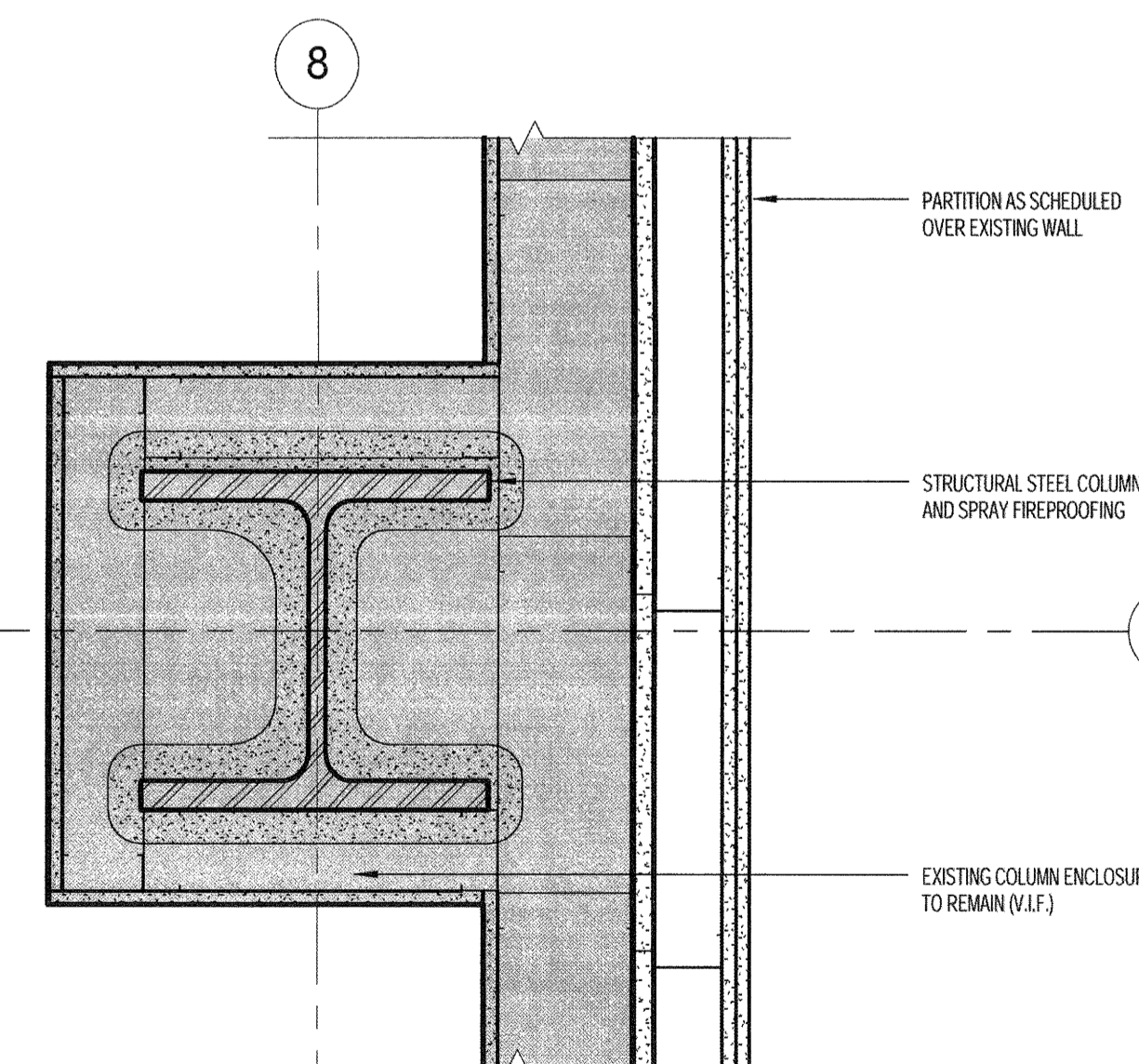
C3 PLAN DETAIL - COLUMN B10
1 1/2" = 1'-0"



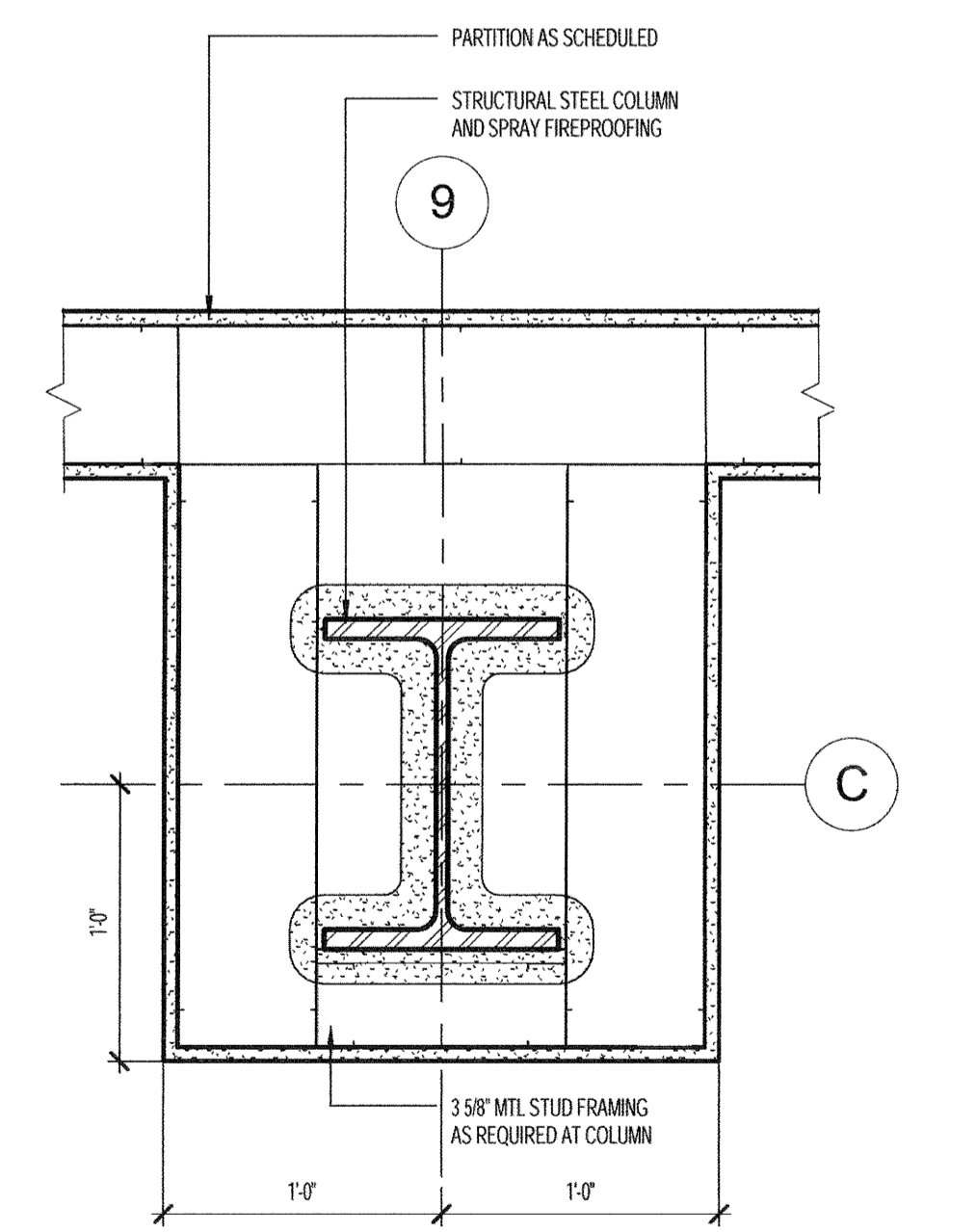
C2 PLAN DETAIL - COLUMN B11
1 1/2" = 1'-0"



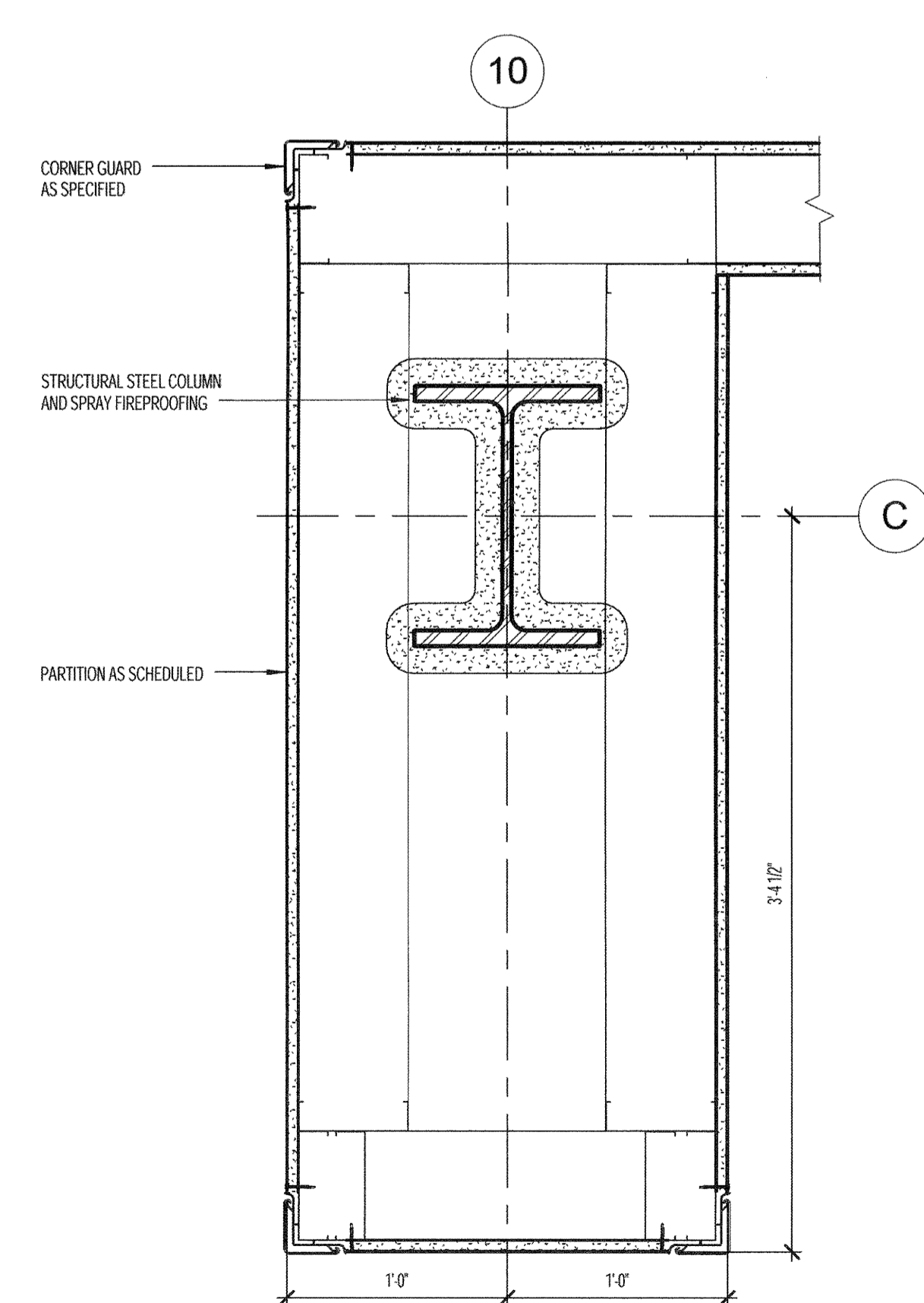
C1 PLAN DETAIL - COLUMN B8.2
1 1/2" = 1'-0"



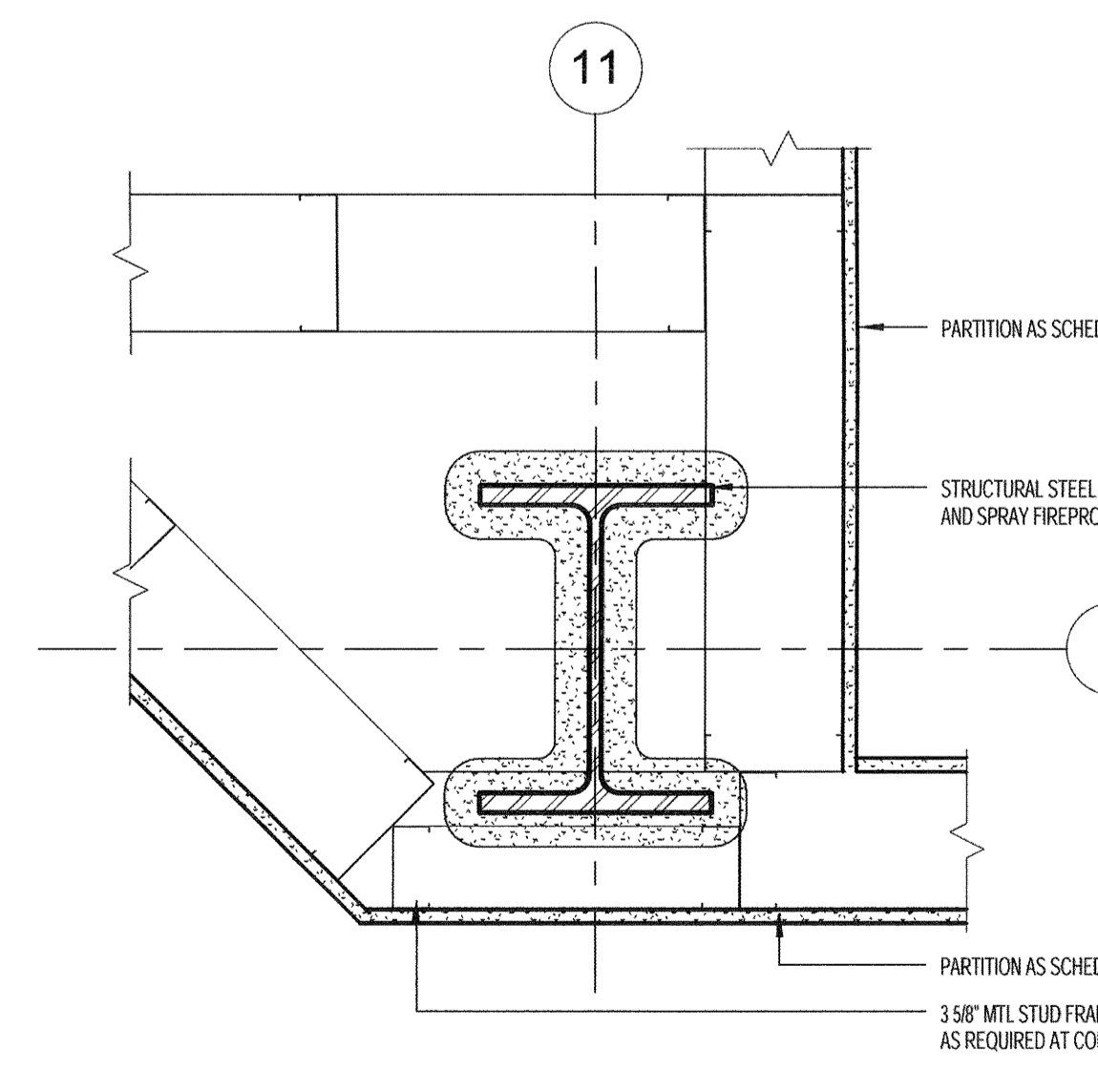
A5 PLAN DETAIL - COLUMN C8
1 1/2" = 1'-0"



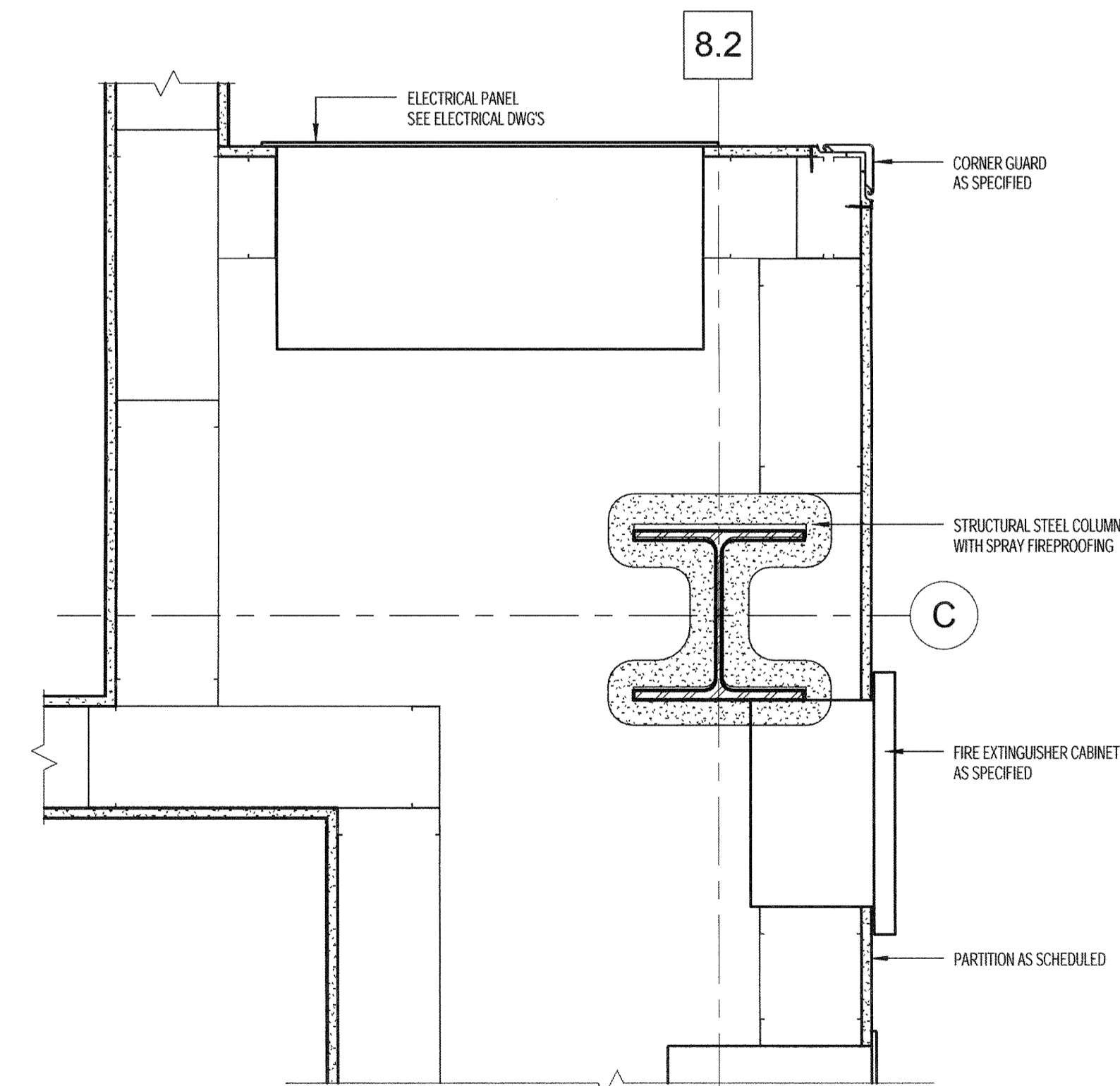
A4 PLAN DETAIL - COLUMN C9
1 1/2" = 1'-0"



A3 PLAN DETAIL - COLUMN C10
1 1/2" = 1'-0"



A2 PLAN DETAIL - COLUMN C11
1 1/2" = 1'-0"



A1 PLAN DETAIL - COLUMN C8.2
1 1/2" = 1'-0"