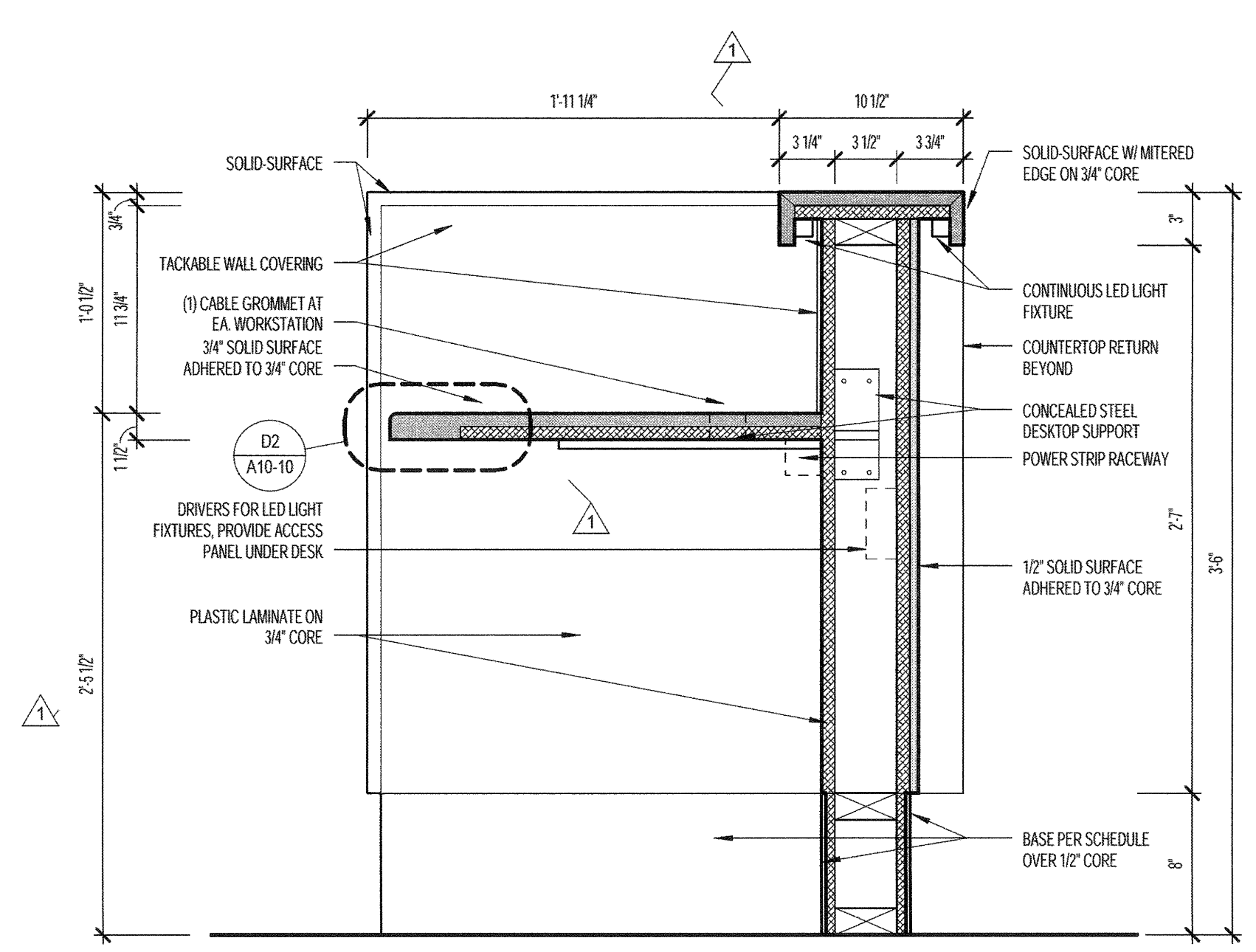
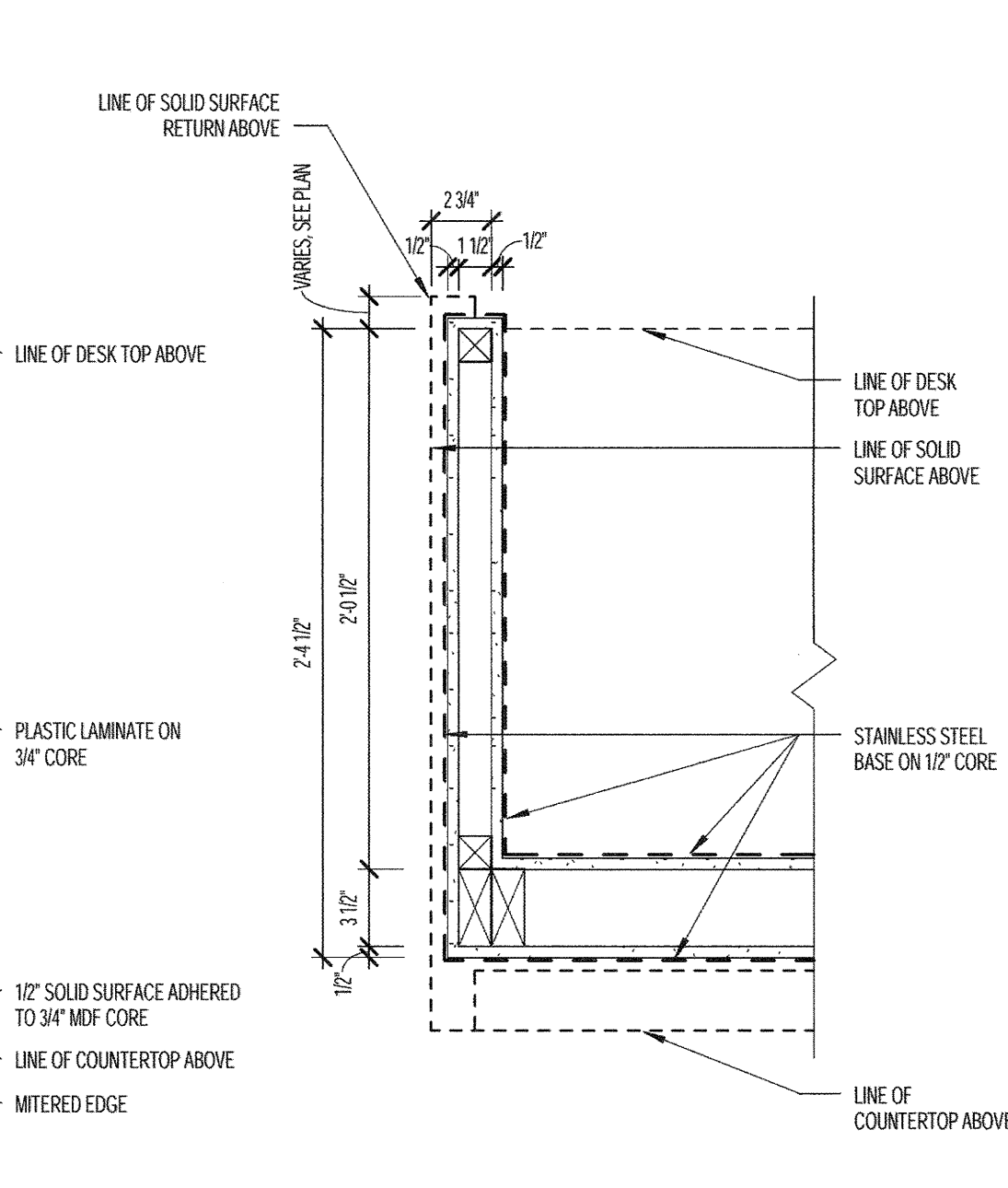


Revisions

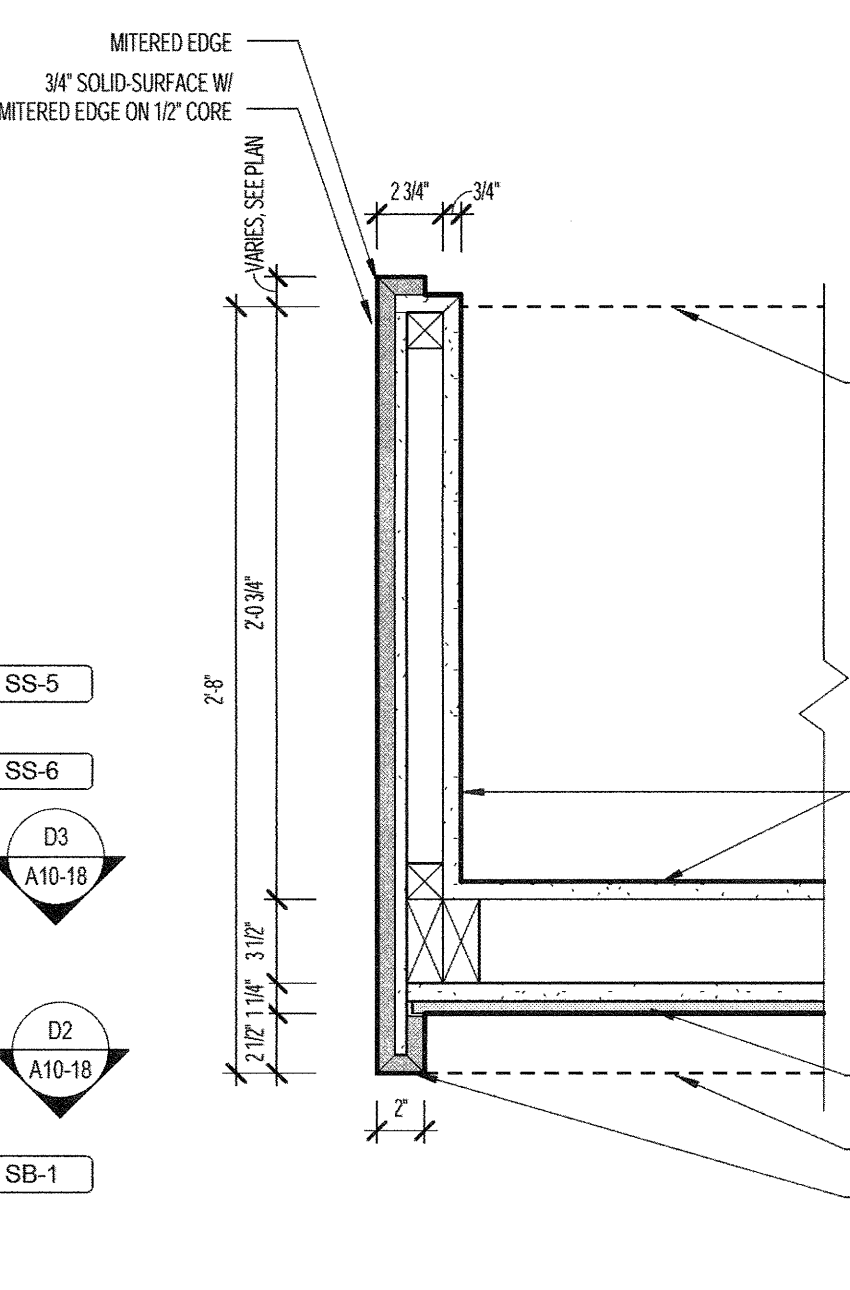
Issued for Permit	02/07/2014
1 Addendum #3	01/17/2014
NO	ISSUE DATE
Sheet Information	
Date	SEPTEMBER 10, 2013
Job #	C140135461 (MMC) 152168.000
Drawn	M PIERCE
Checked	Checker
Approved	Approver
Title	
DESK MILLWORK DETAILS	
Sheet A10-18	



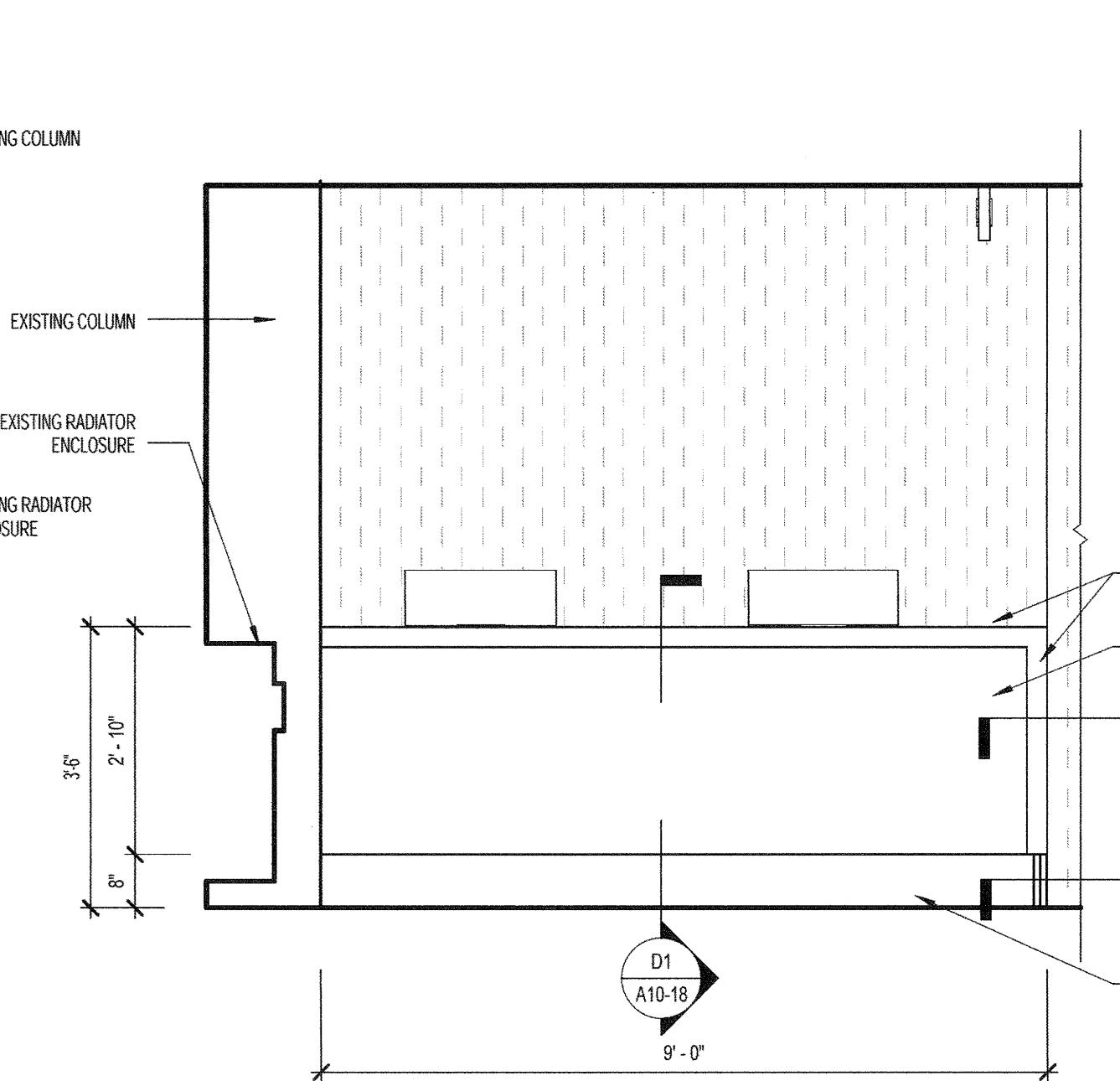
D1 DESK SECTION
1/2" = 1'-0"



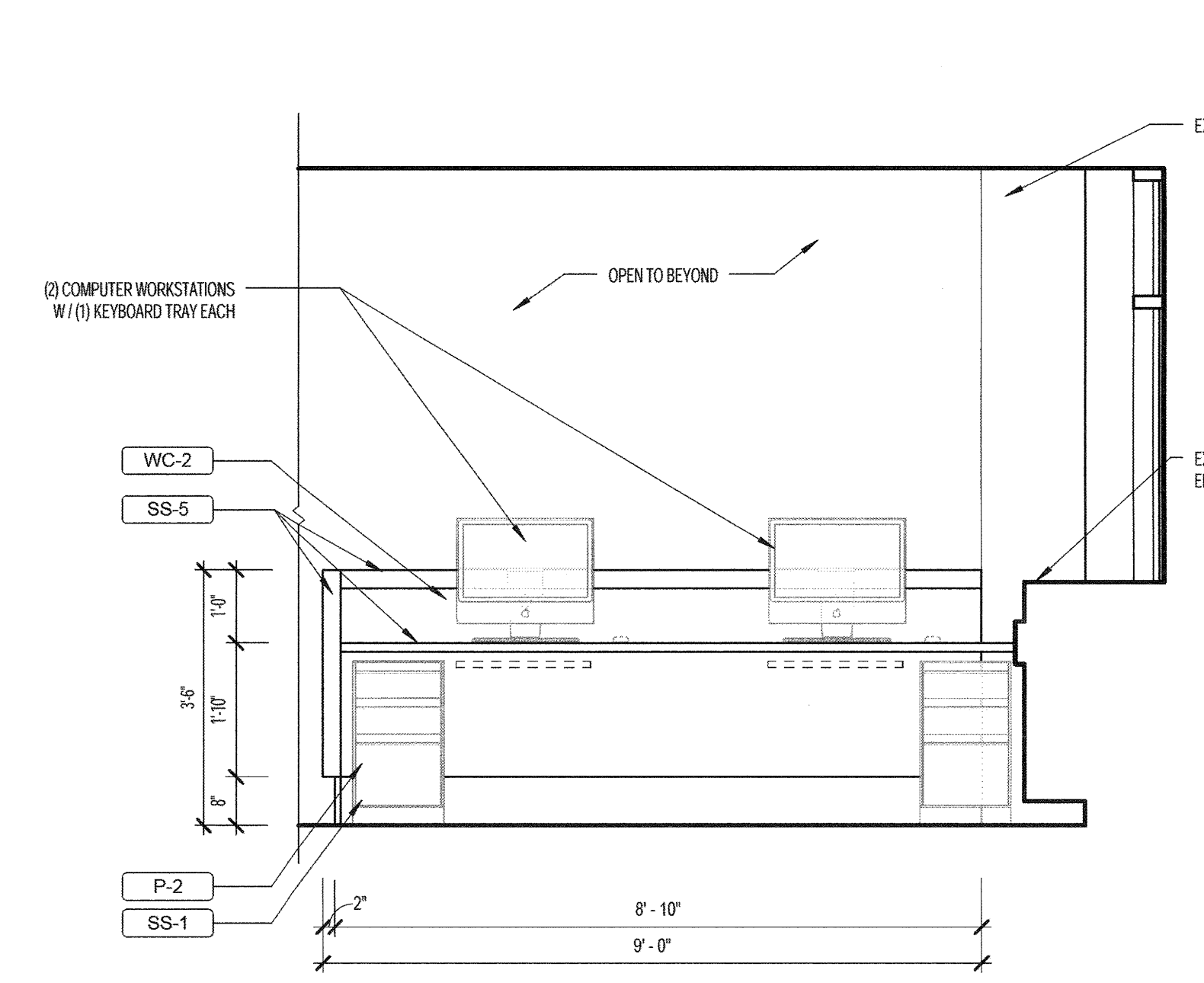
D2 PLAN DETAIL AT DESK END 2
1/2" = 1'-0"



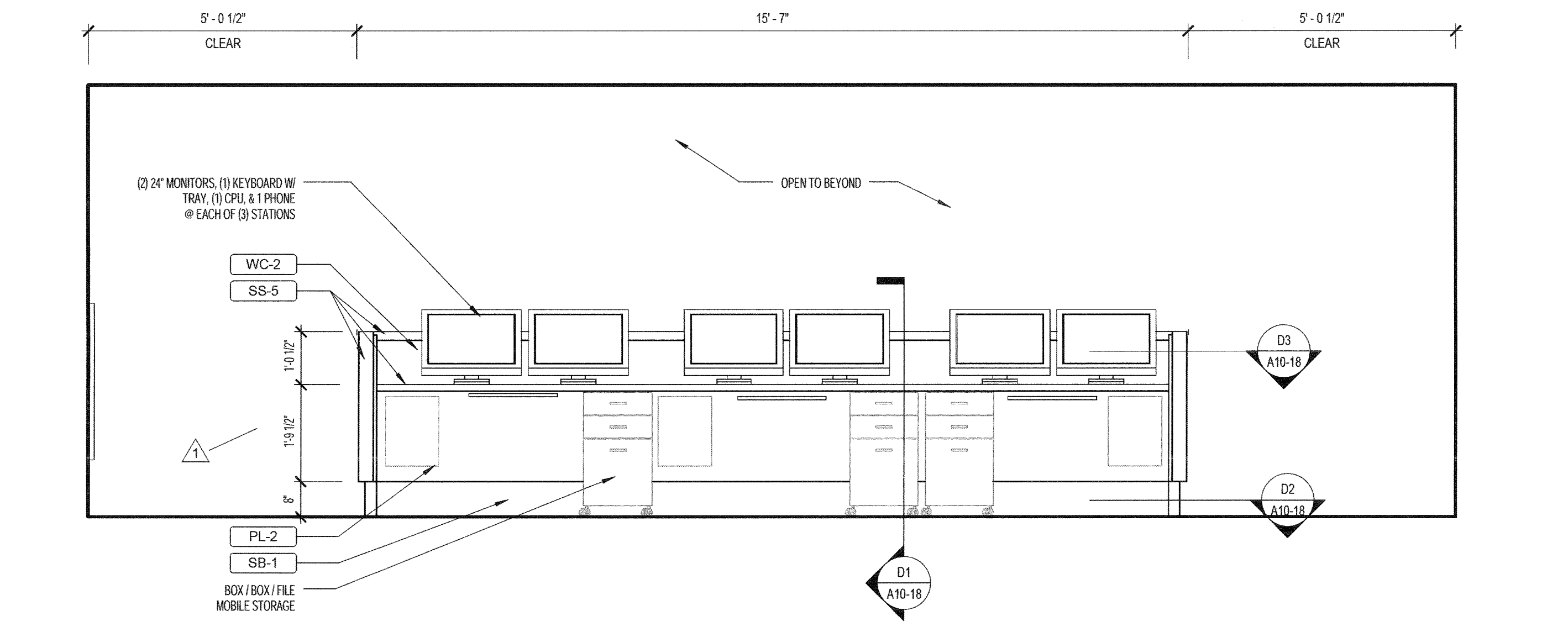
D3 PLAN DETAIL AT DESK END 1
1/2" = 1'-0"



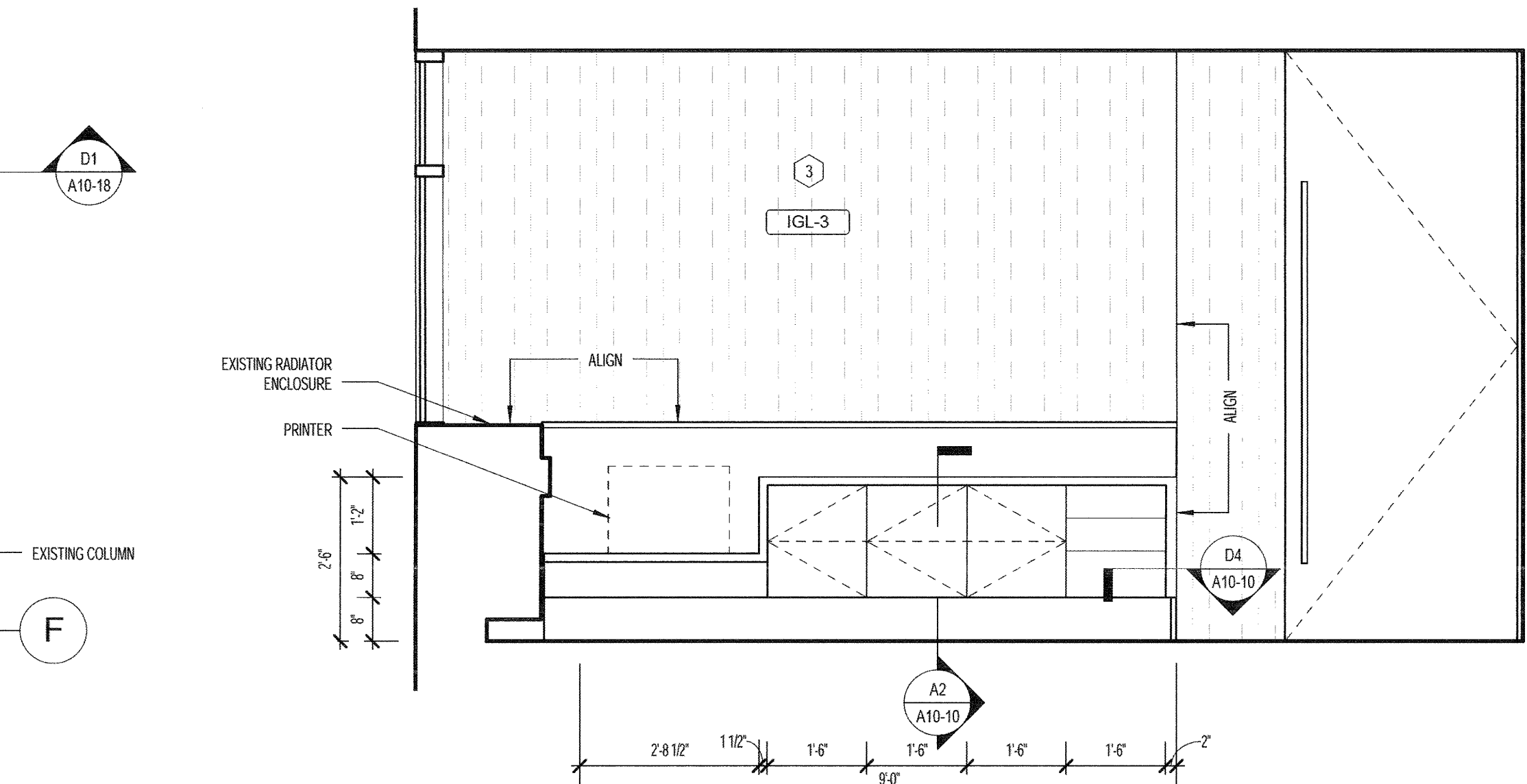
D4 GREETER DESK - FRONT
1/2" = 1'-0"



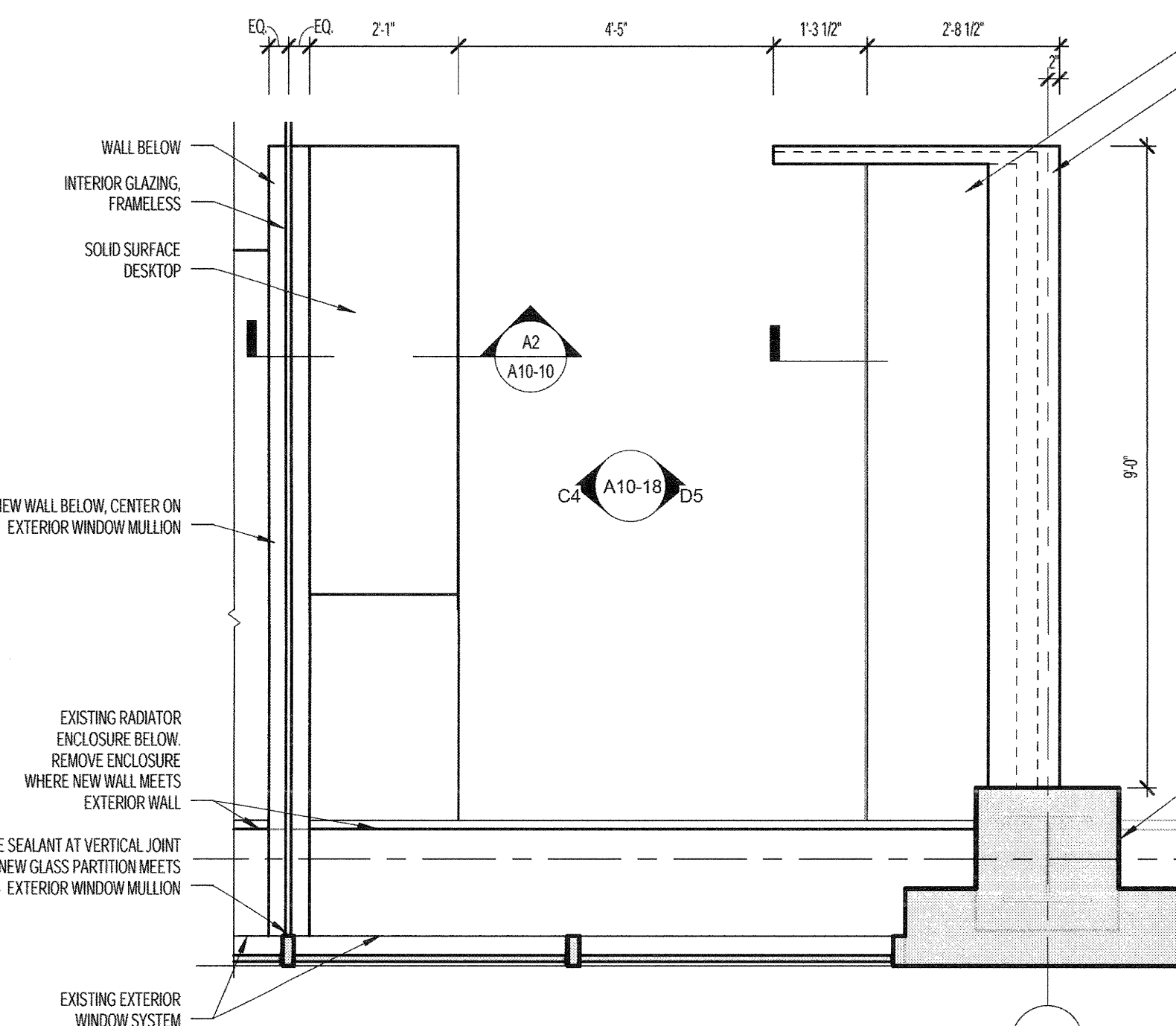
D5 GREETER DESK - REAR
1/2" = 1'-0"



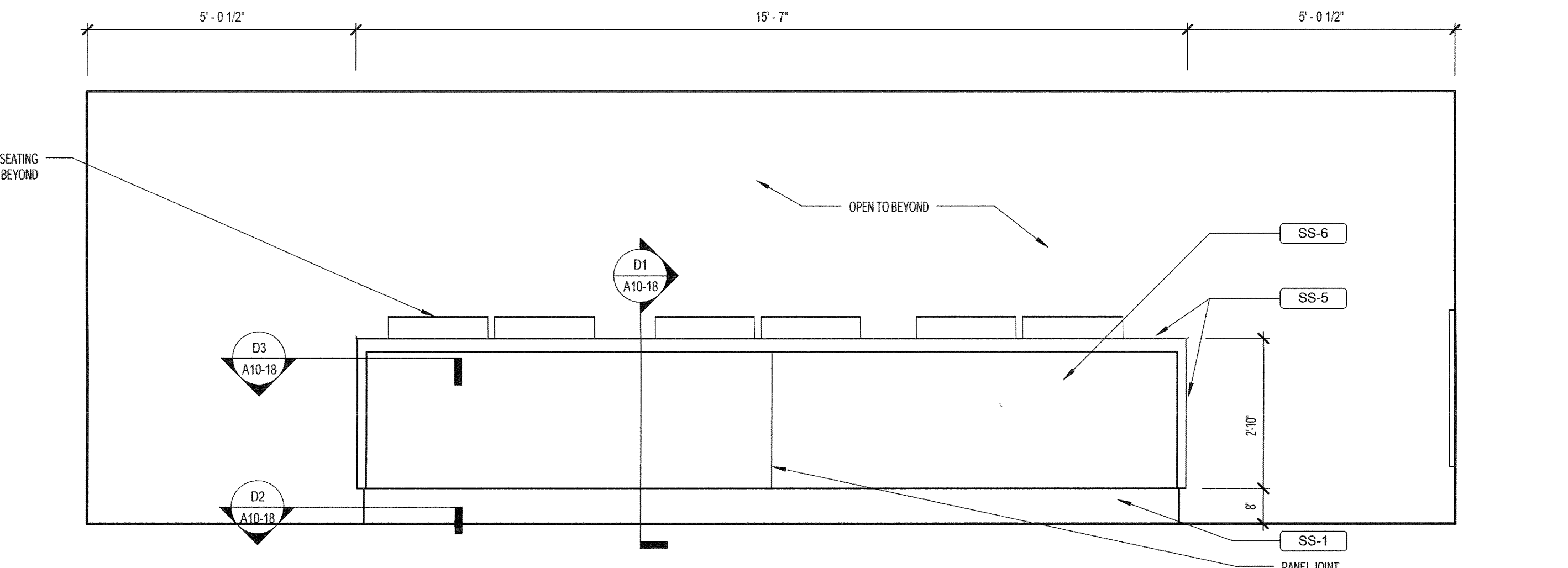
C2 PACU NURSE STATION 20145 - SOUTH
1/2" = 1'-0"



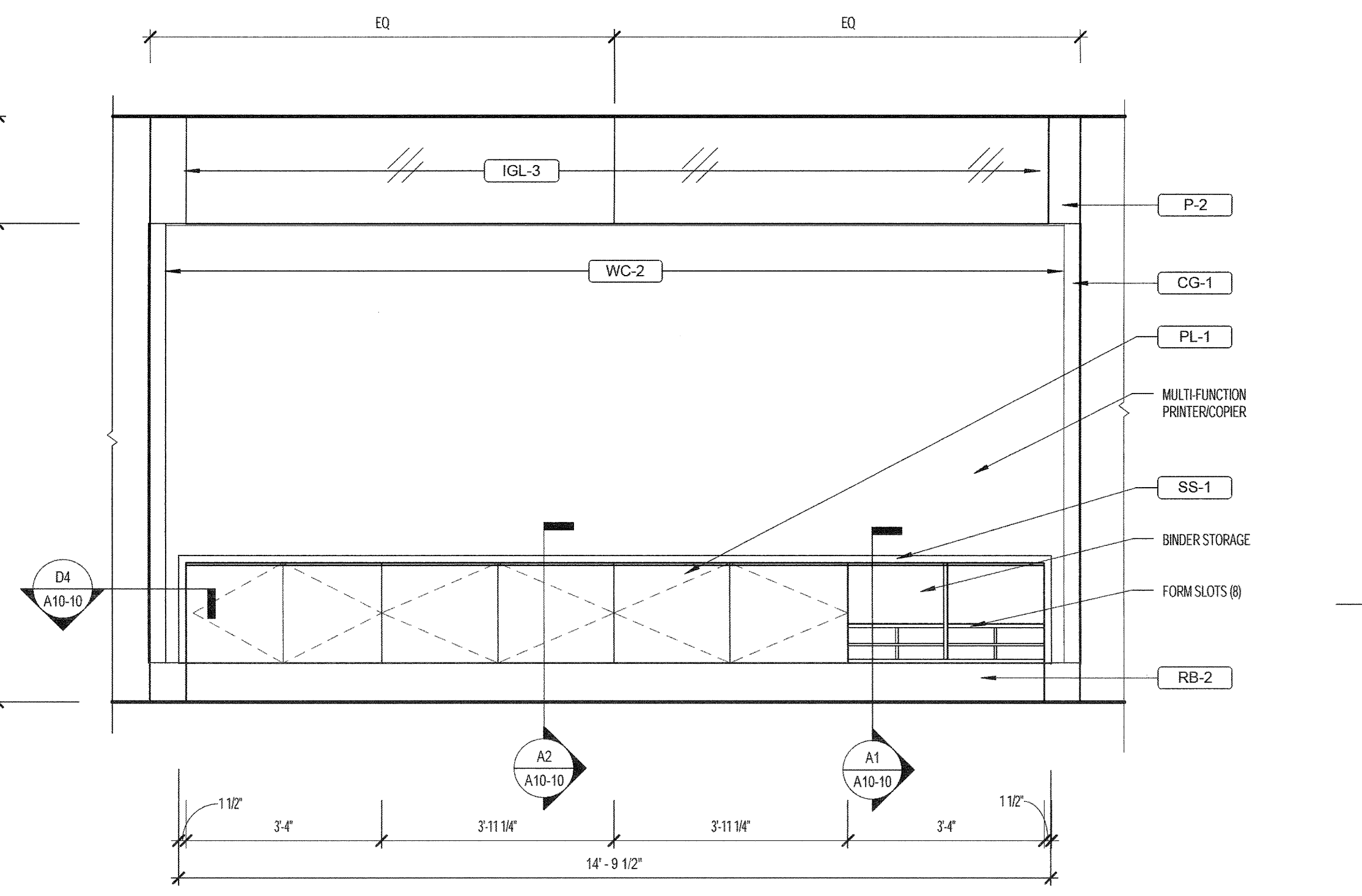
C4 GREETER - REAR COUNTER
1/2" = 1'-0"



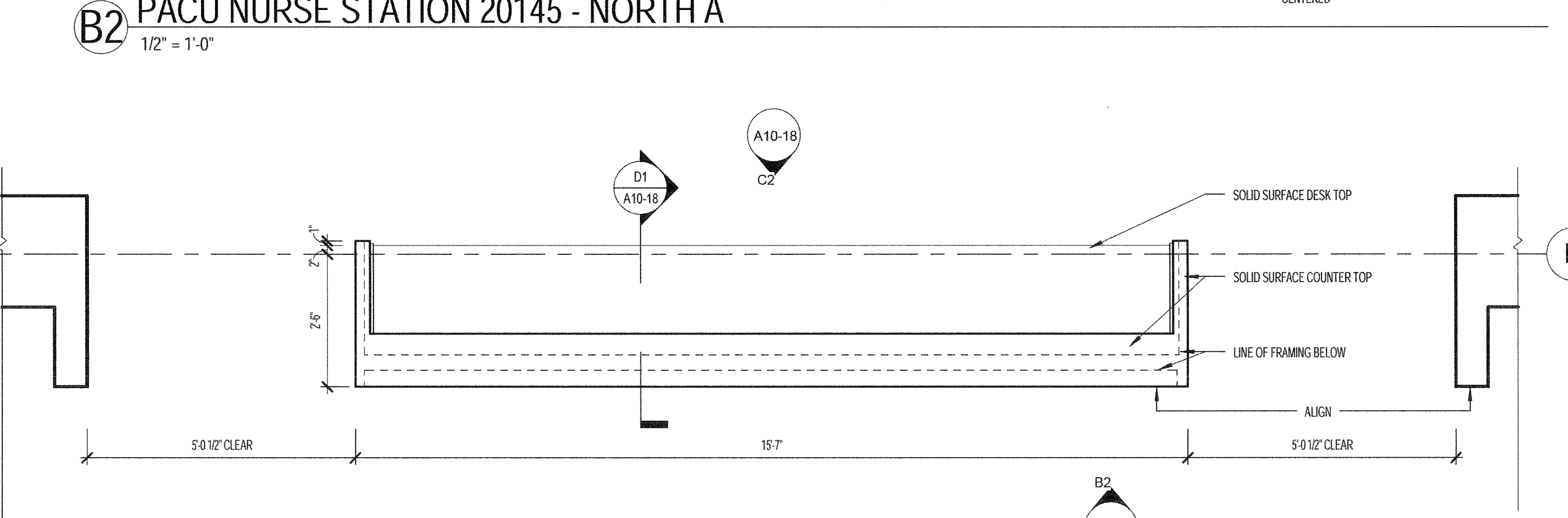
C5 RECEPTION DESK DETAIL PLAN
1/2" = 1'-0"



B2 PACU NURSE STATION 20145 - NORTH A
1/2" = 1'-0"



A4 PACU NURSE STATION 20145 - NORTH B
1/2" = 1'-0"



A2 CONTROL DESK PLAN
1/2" = 1'-0"

2/20/14 7:10:40 PM c:\temp\MMC_NEW_BEAN2_ARCH_kellmanj.rvt