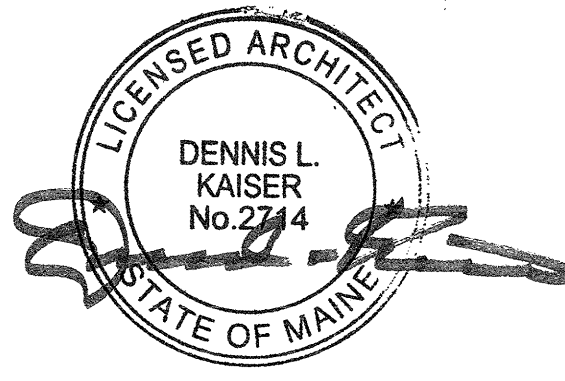


**CONSTRUCTION
DOCUMENTS**

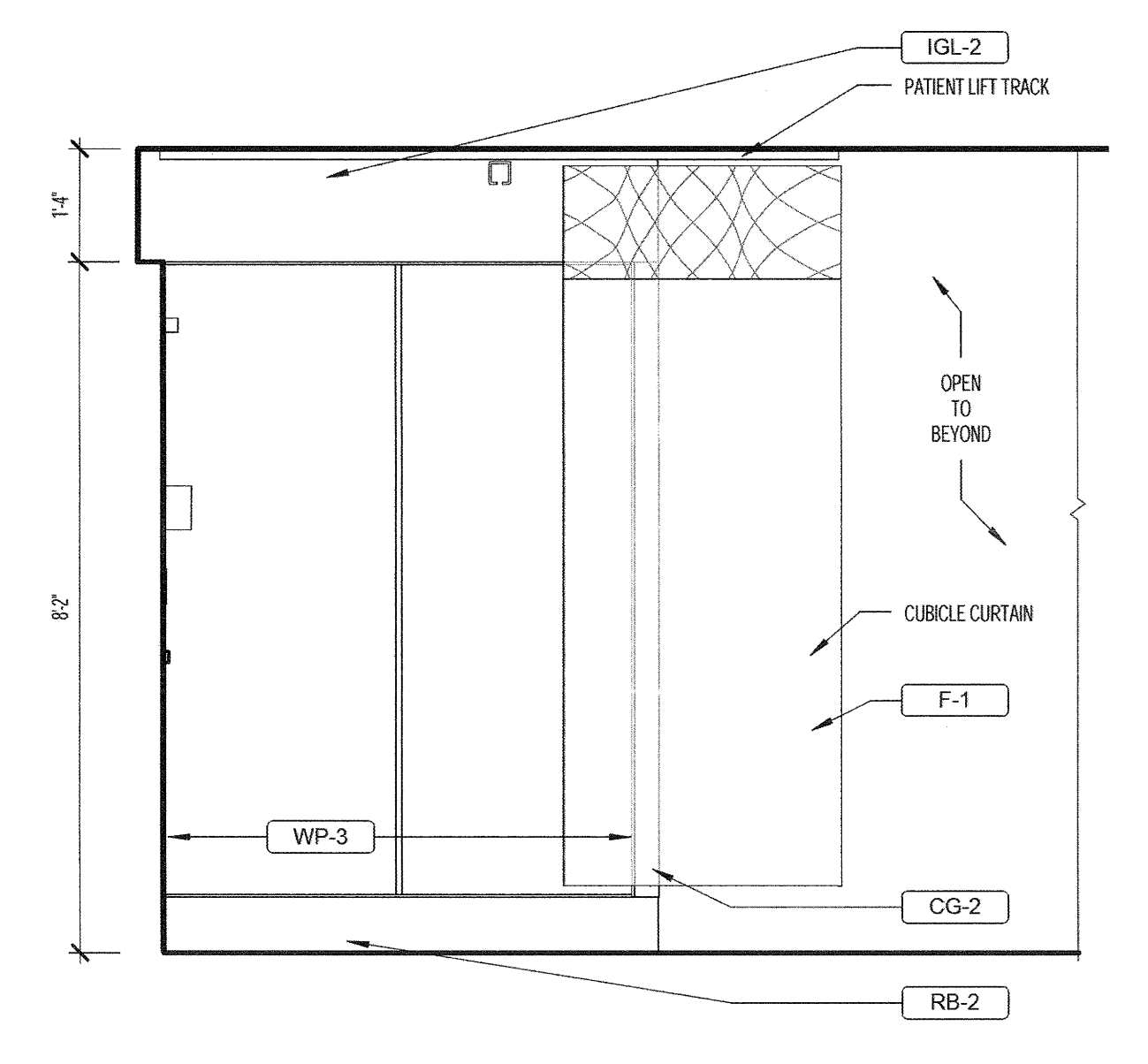


Revisions

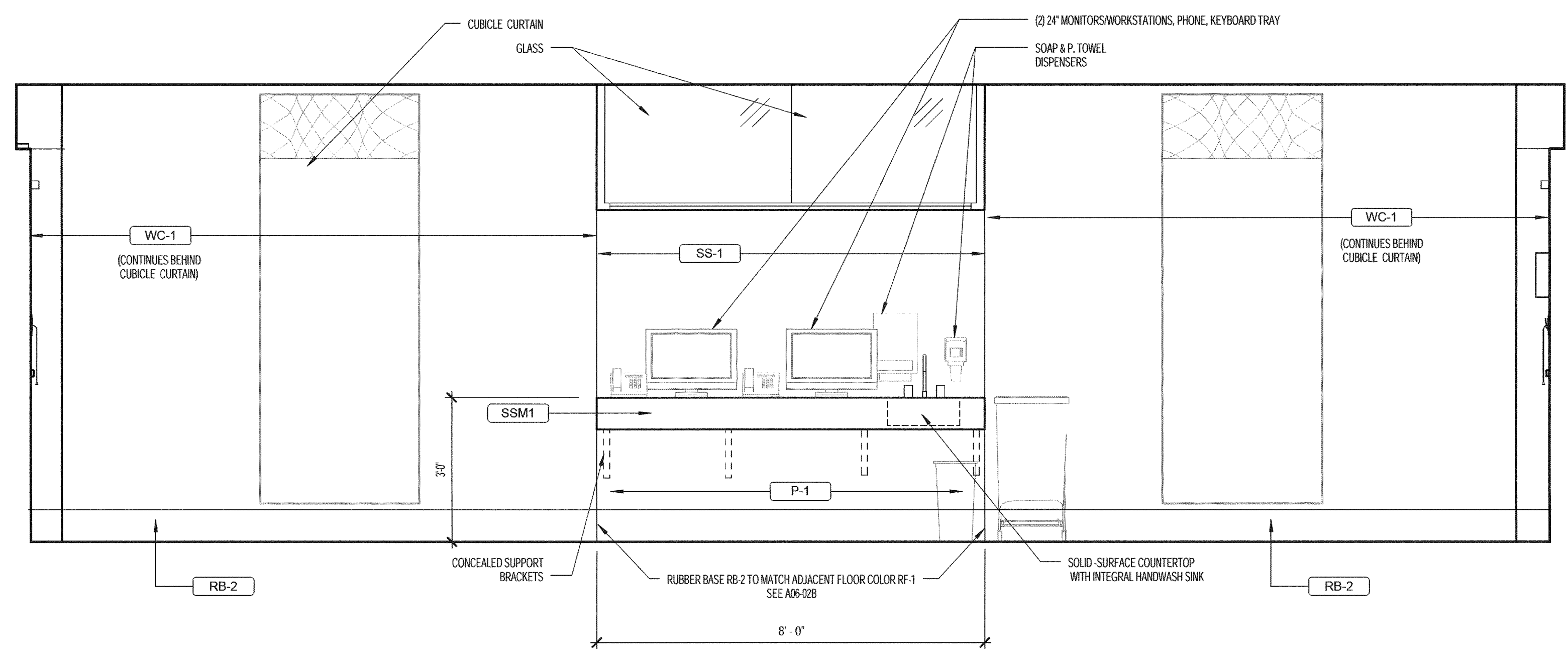
Issued for Permit	02/07/2014
1 Addendum #3	01/17/2014
NO	ISSUE DATE
Sheet Information	
Date	SEPTEMBER 10, 2013
Job #	C140135461 (MMC) / 152166.000
Drawn	M PIERCE
Checked	Checker
Approved	Approver
Title	

**TYPICAL PACU
SOUTH BAY**

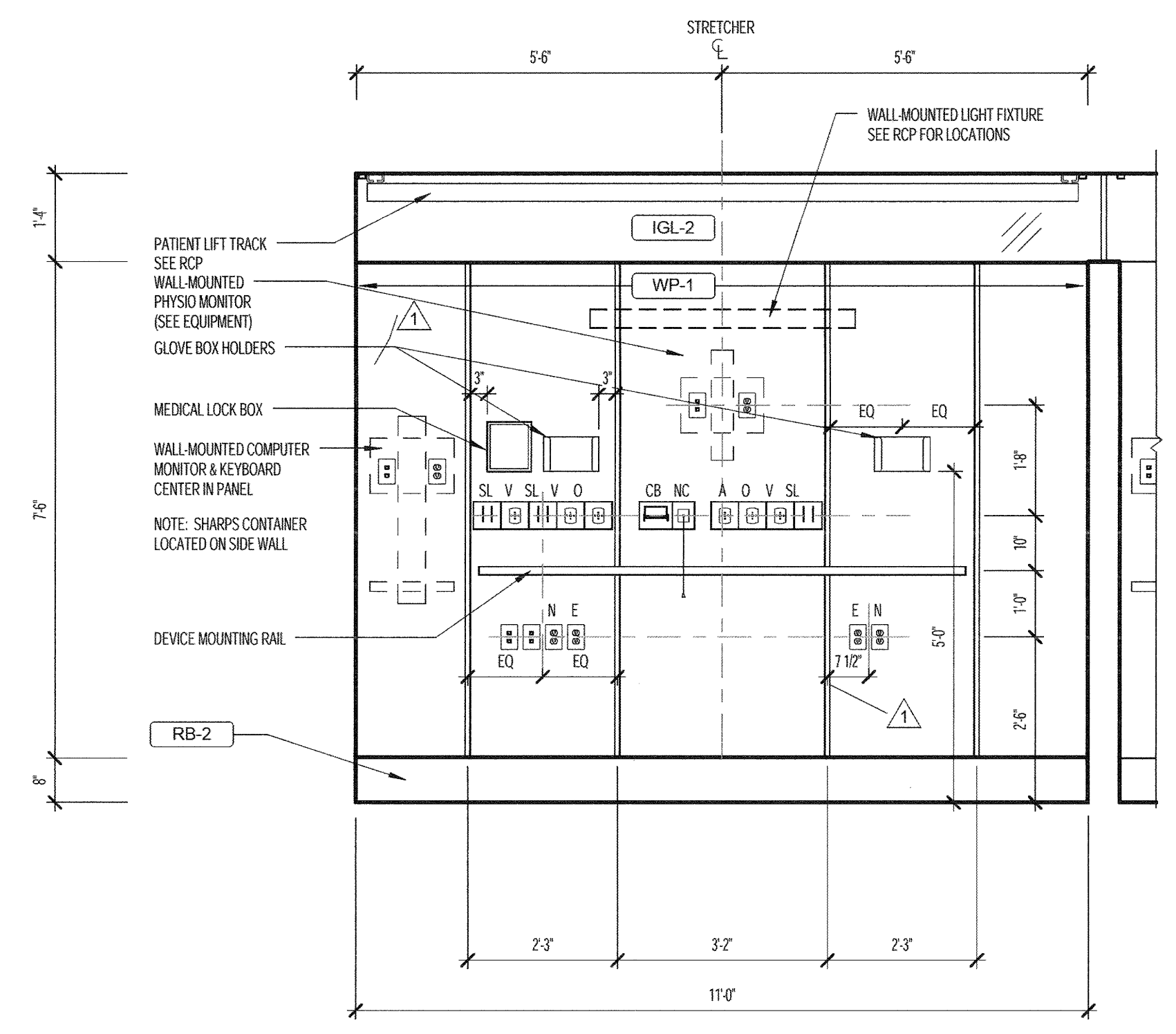
**Sheet
A10-13**



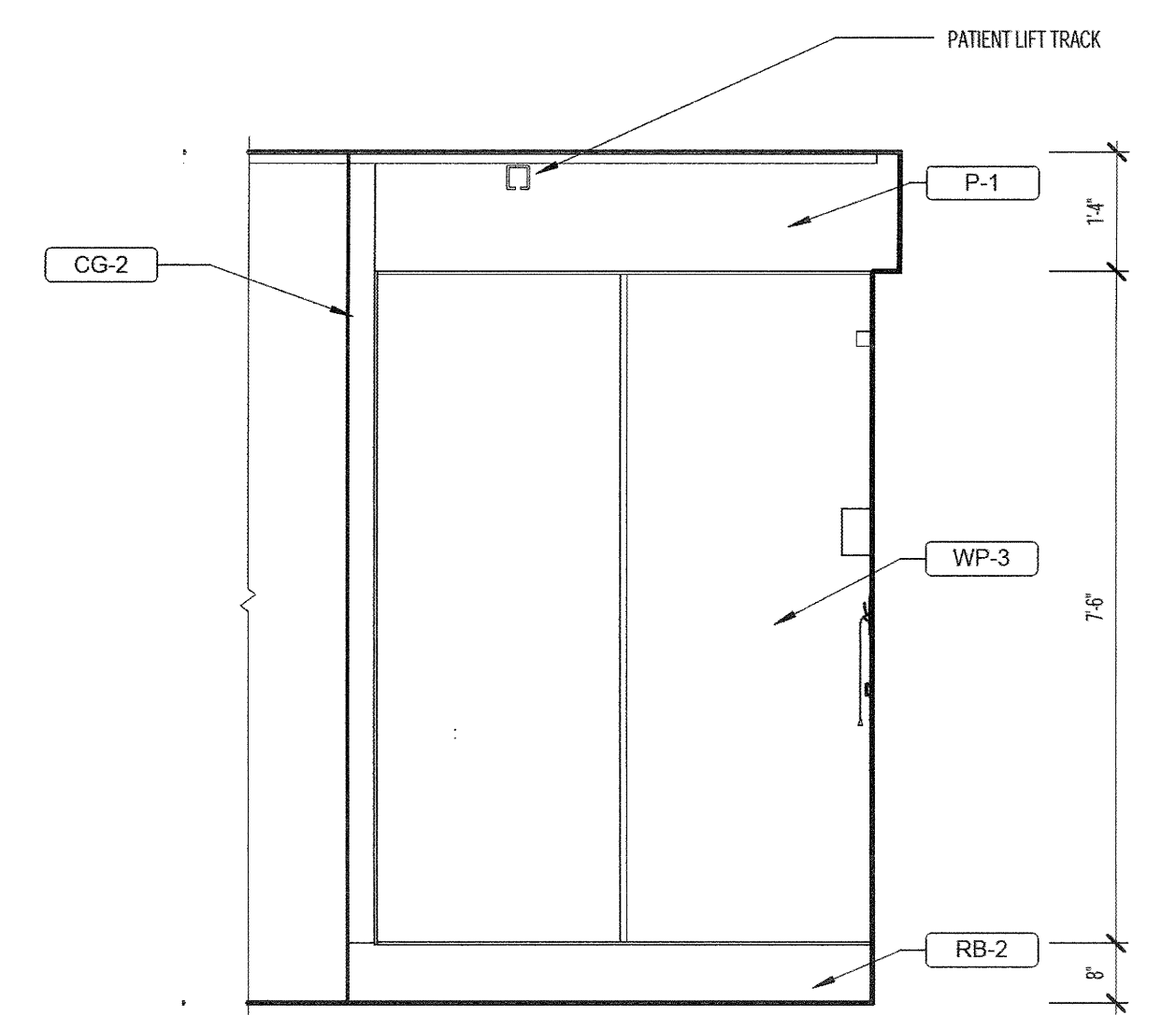
**D4 SOUTH PACU BAY ELEVATION - PATIENT
LEFT TYP**
1/2" = 1'-0"



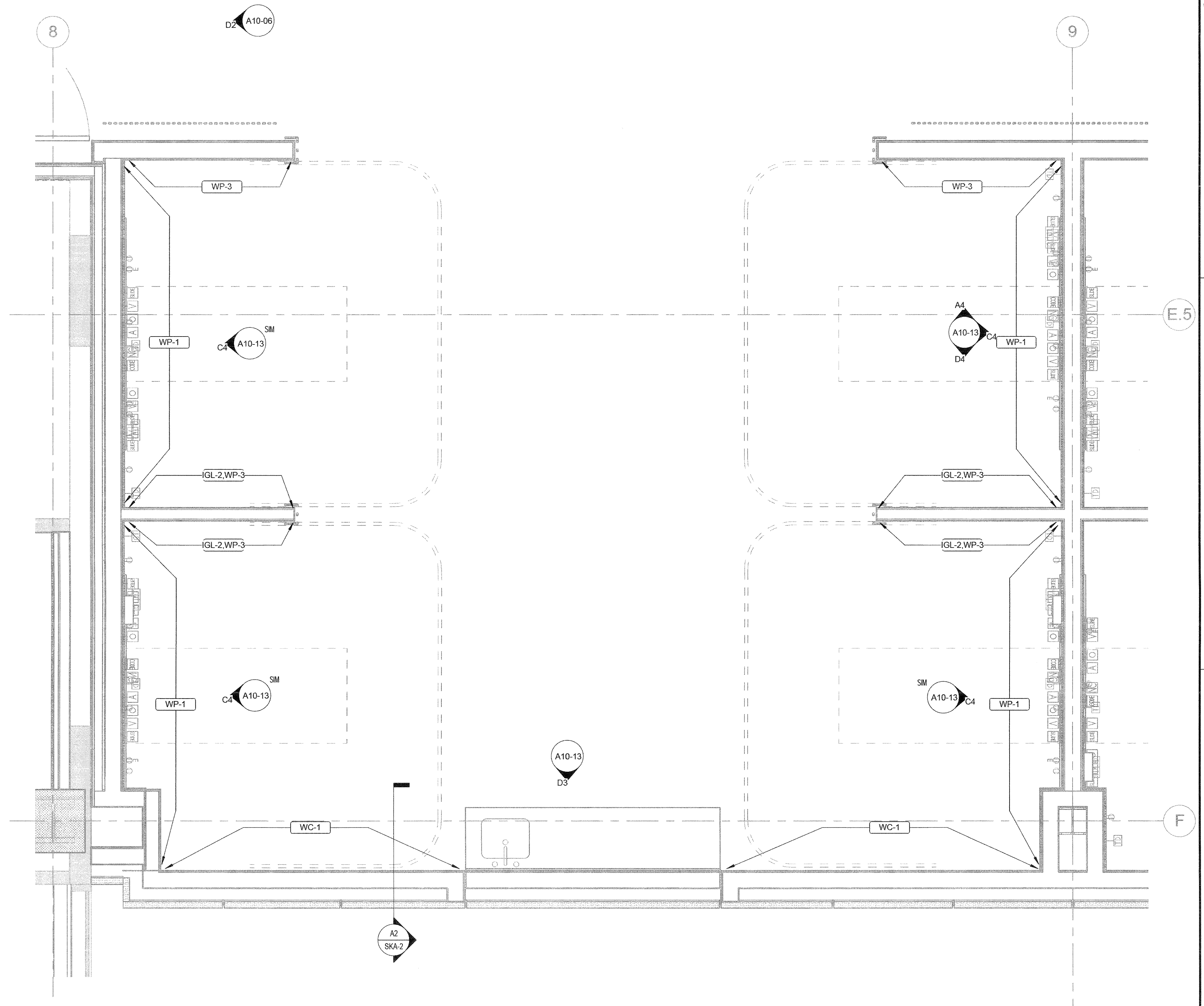
D3 PACU NURSE CHARTING 20401 - SOUTH
1/2" = 1'-0"



**C4 SOUTH PACU BAY ELEVATION - PATIENT
HEADWALL TYP**
1/2" = 1'-0"



**A4 SOUTH PACU BAY ELEVATION - PATIENT
RIGHT TYP**
1/2" = 1'-0"



A3 PACU BAYS SOUTH FINISH PLAN TYP
1/2" = 1'-0"