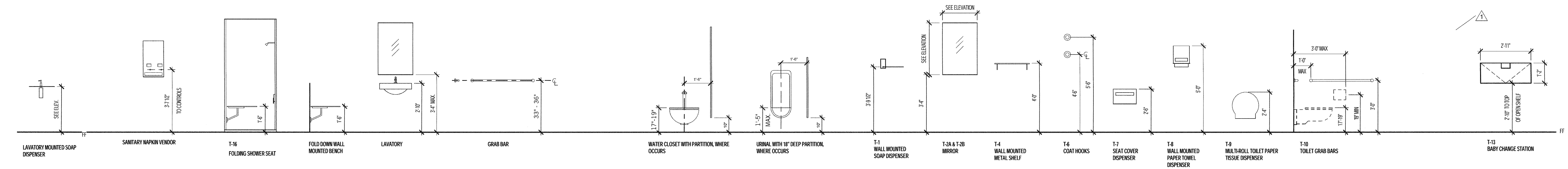
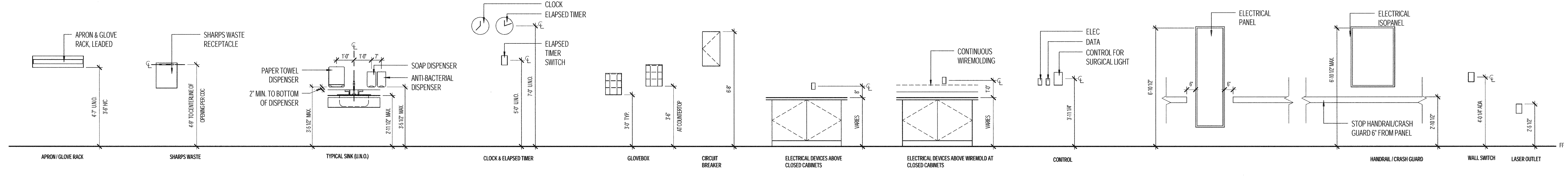
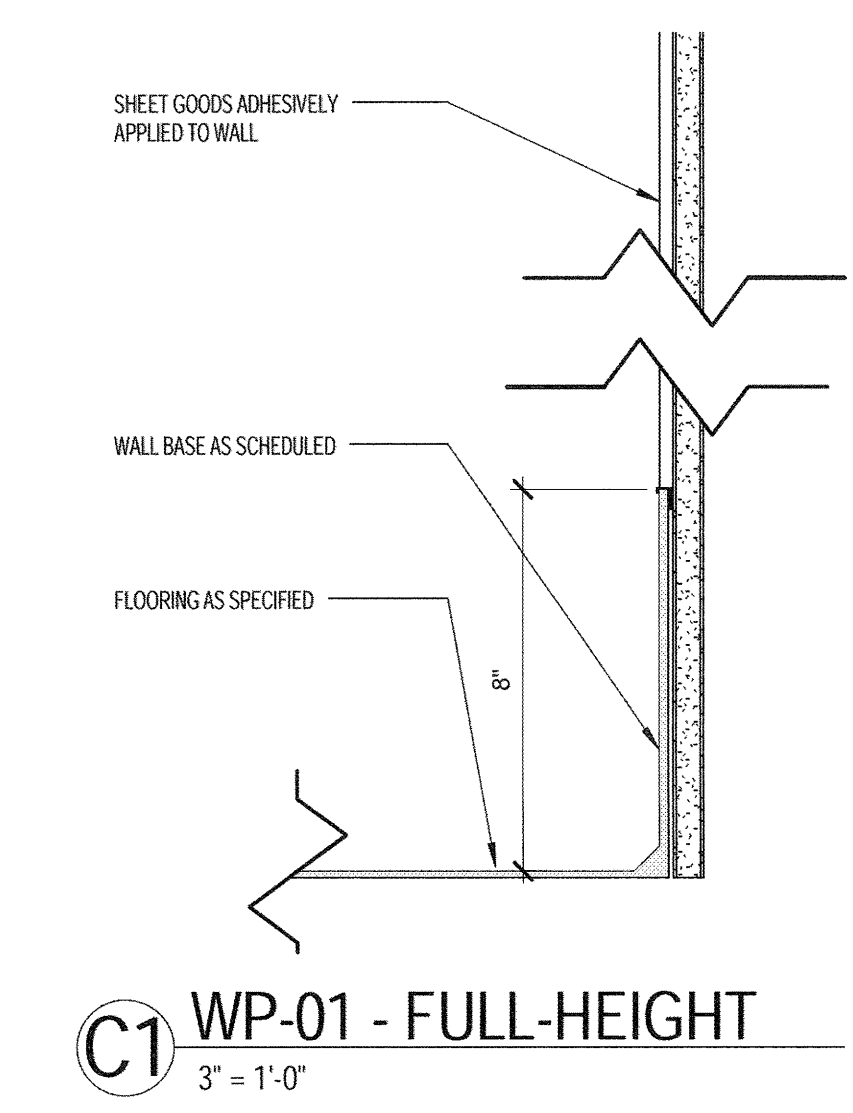
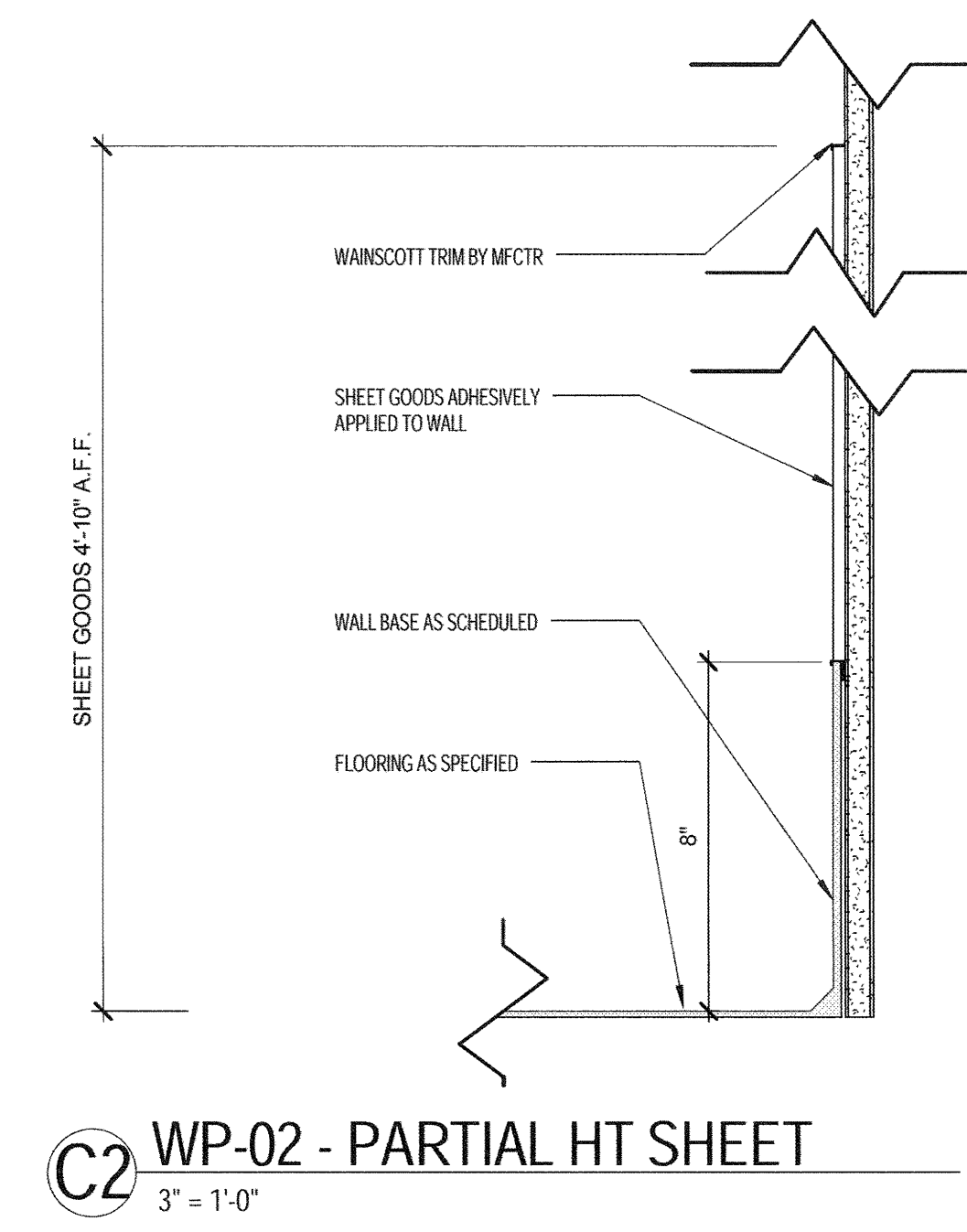
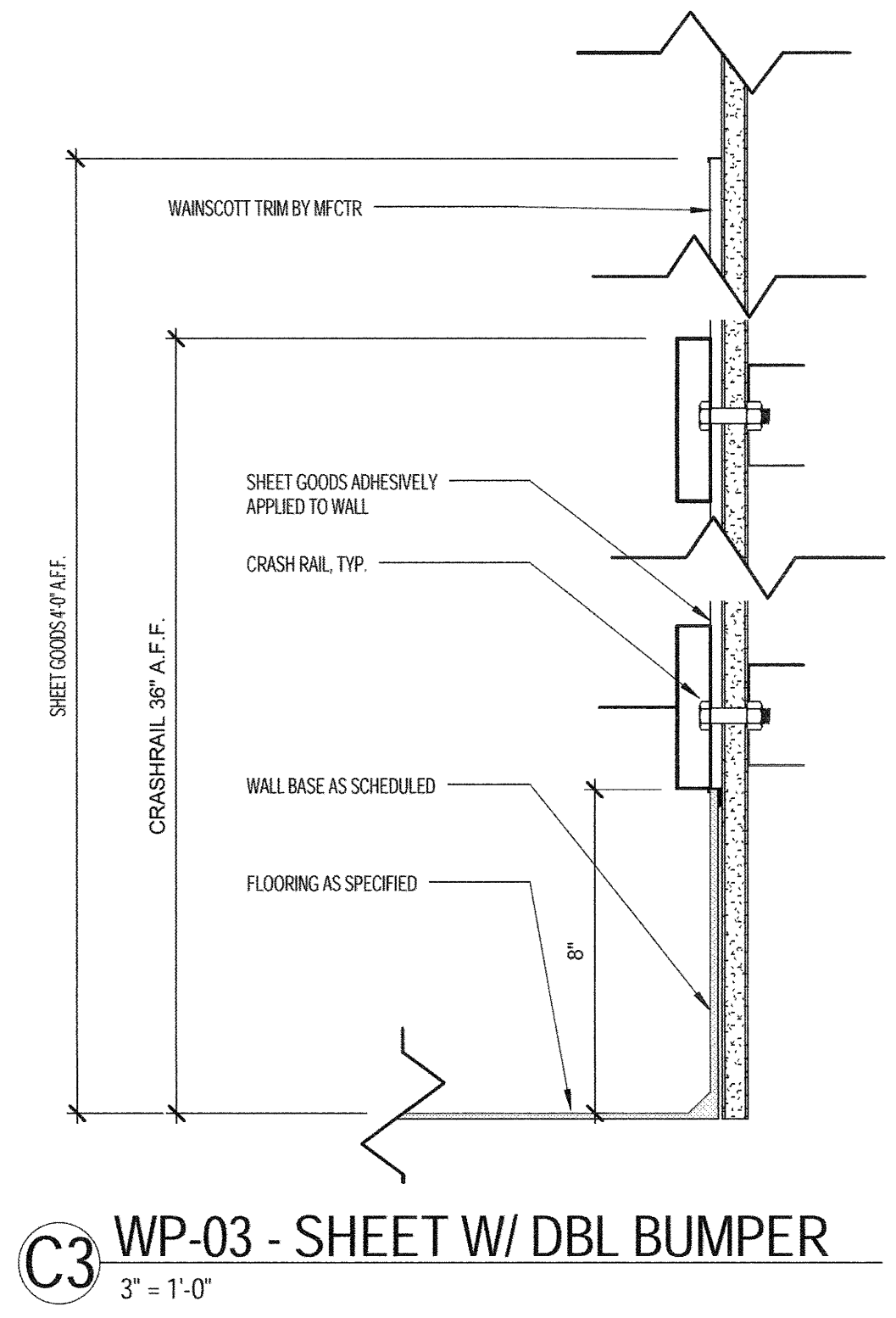
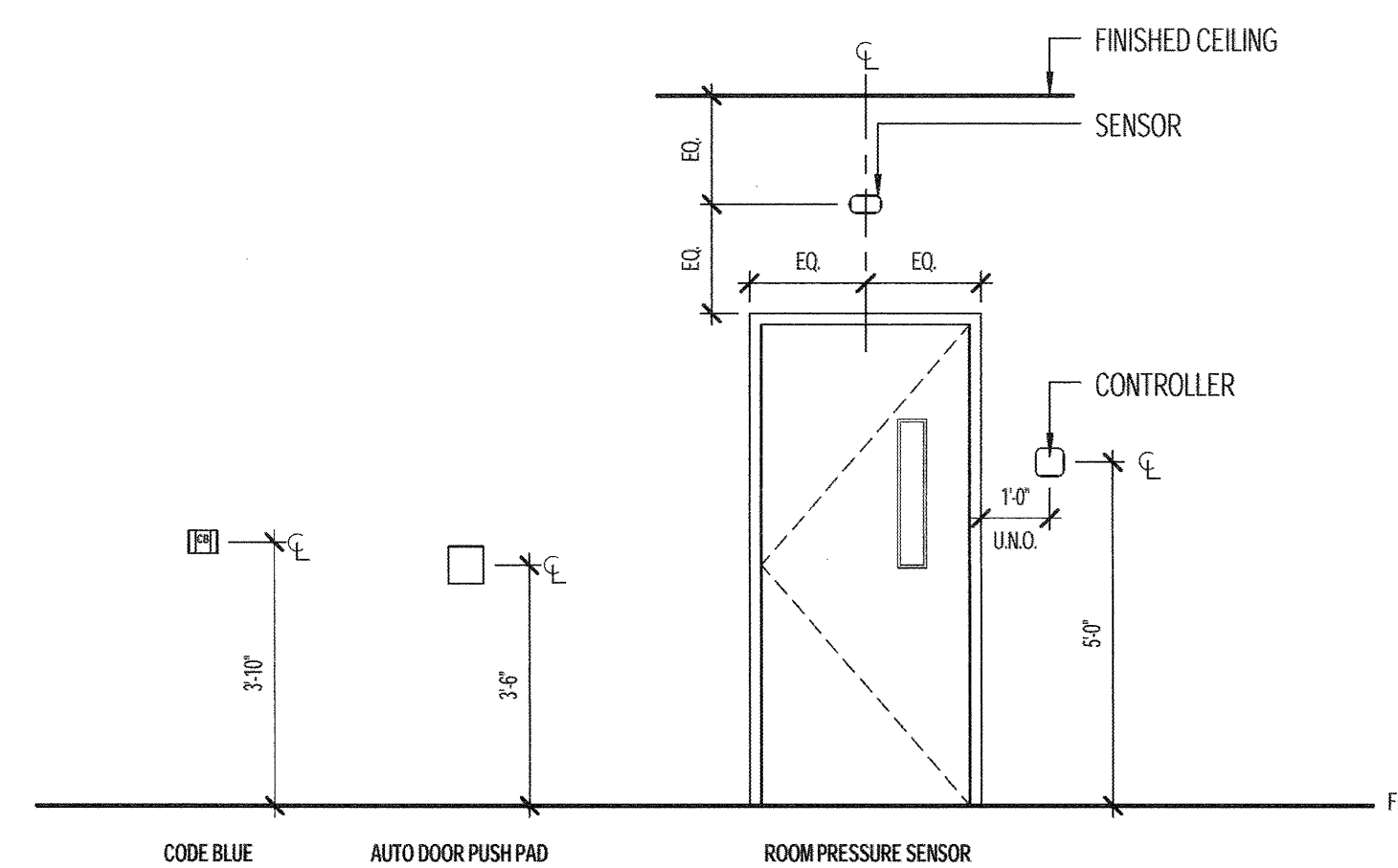


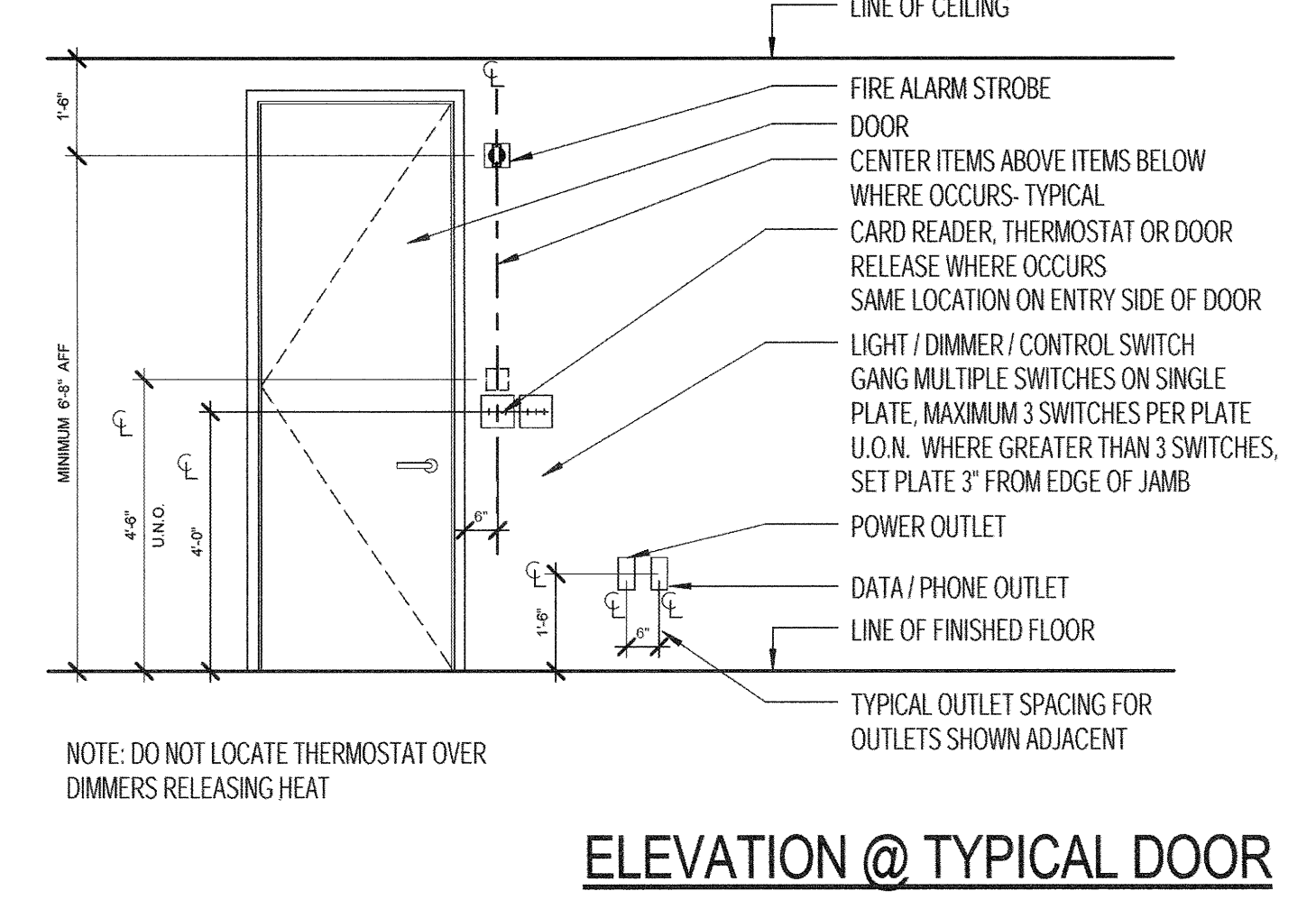
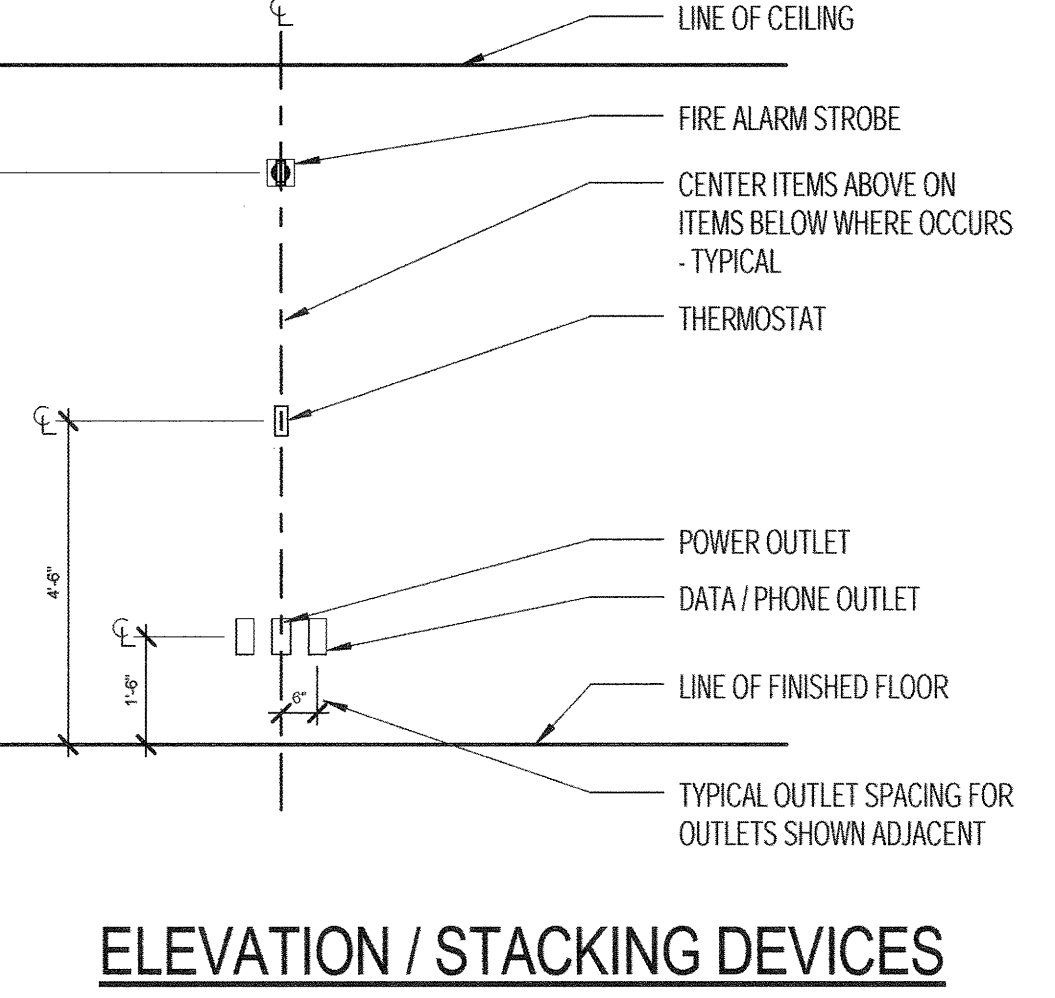
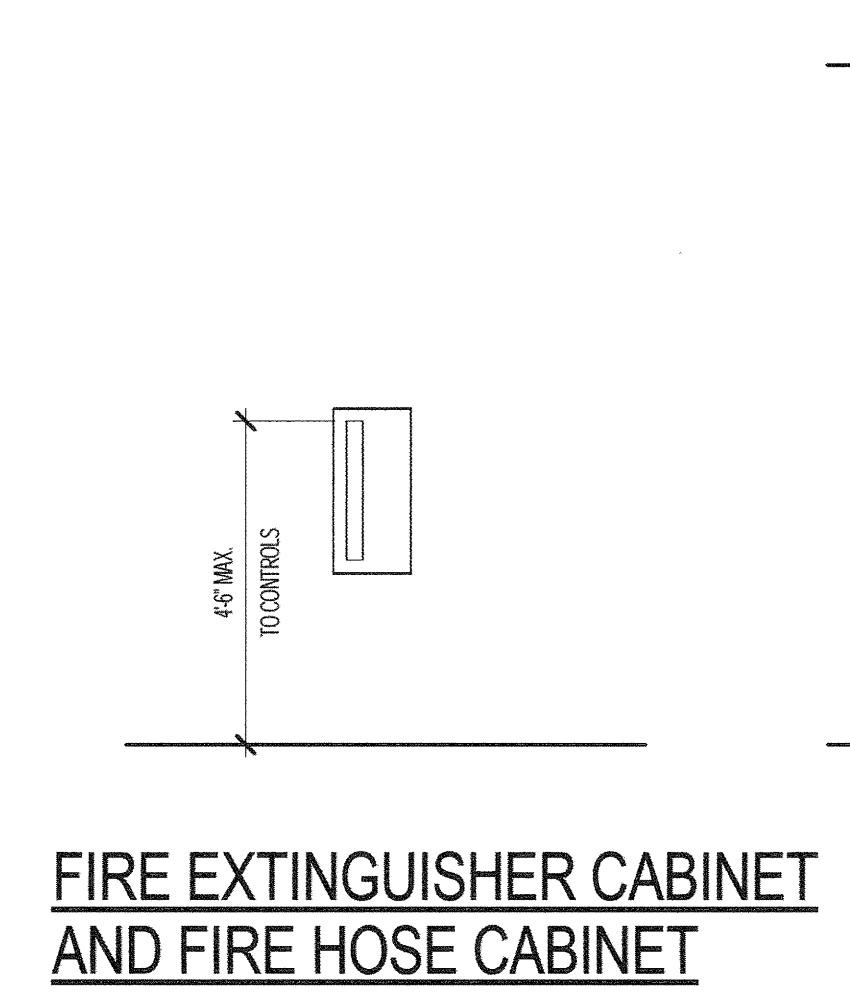
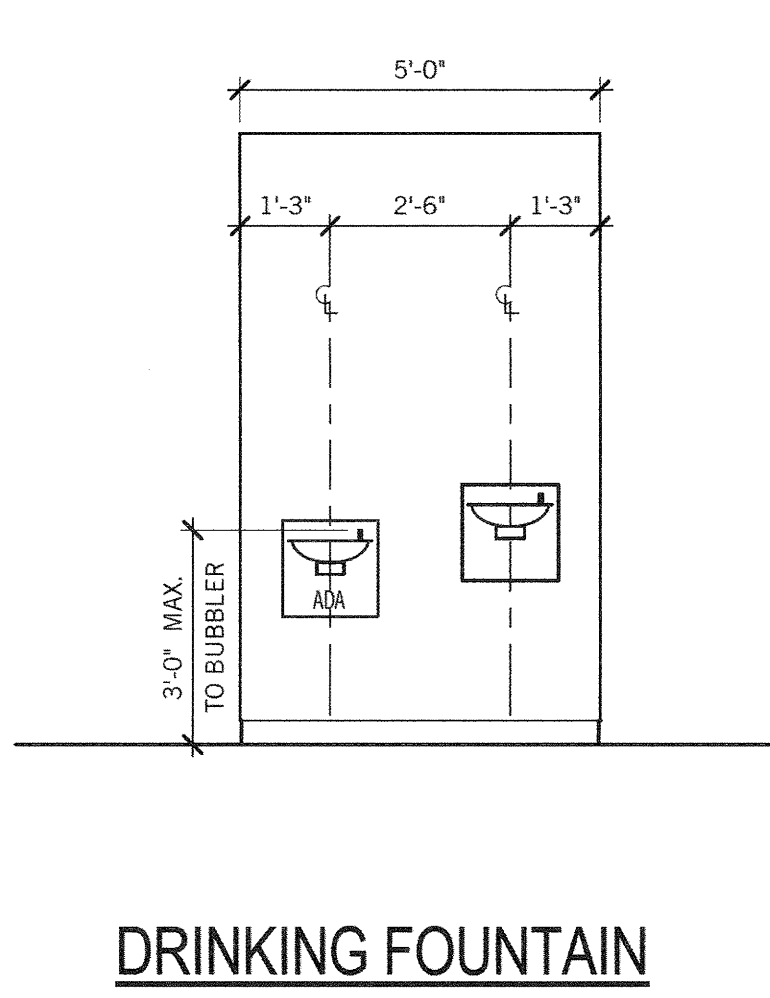
ACCESSORIES SCHEDULE		
TAG	MODEL	PROVIDED BY
	RECESSED PAPER TOWEL WASTE RECEPTACLE	CFCI
T-1	SOAP DISPENSER	CFCI
T-2A	MIRROR WITH STAINLESS STEEL CHANNEL FRAME; 24" W X 48" H	CFCI
T-2B	FRAMELESS MIRROR, DIMENSION VARIES	CFCI
T-3	SHOWER CURTAIN ROD	CFCI
T-4	UTILITY SHELF WITH MOP/BROOM HOLDERS AND RAG HOOKS	CFCI
T-5	SHOWER CURTAIN HOOKS	CFCI
T-6	(2) COAT HOOKS WITH CONCEALED MOUNTING, 4'-6" AF.F. & 5'-6" AF.F., US26D FINISH	CFCI
T-7	SHOWER CURTAIN	CFCI
T-8	SURFACE-MOUNTED PAPER TOWEL DISPENSER	CFCI
T-9	SURFACE-MOUNTED MULTI-ROLL TOILET TISSUE DISPENSER	CFCI
T-10	42" GRAB BAR	CFCI
T-11	SHOWER GRAB BAR	CFCI
T-13	BABY CHANGING STATION	CFCI
T-14	SHARPS DISPENSERS	CFCI
T-15	GLOVE BOX HOLDER	CFCI
T-16	FOLD DOWN SHOWER SEAT	CFCI
T-17	RECESSED SHOWER ACCESSORY SHELF	CFCI

NOTE: REFER TO SPECIFICATIONS FOR MODEL NUMBERS AND MANUFACTURERS
NOTE: REFER TO EQUIPMENT PLANS & ROOM-BY-ROOM CHARTS FOR (T-14) SHARPS DISPENSERS & (T-15) GLOVE BOX.



THE DIAGRAMS ARE GUIDELINES FOR THE PROPER MOUNTING HEIGHTS OF EQUIPMENT AND LUMBING FIXTURES. THE ITEMS SHOWN ARE LOCATED FOR ACCESSIBILITY, SAFETY AND CONFORMANCE WITH APPLICABLE CODES AND STANDARDS. IN NO CASE SHALL THIS INFORMATION SUPERSEDE REQUIREMENTS OF APPLICABLE CODES, STANDARDS OR AUTHORITIES, IF A CONFLICT IS FOUND.

- IF FIELD CONDITIONS CREATE CONFLICTS WITH THE REQUIRED MOUNTING HEIGHTS, NOTIFY ARCHITECT PRIOR TO INSTALLATION.
- ALL OUTLETS, CABINETS, SWITCHES, ALARMS AND SIGNALS NOT DIMENSIONED ON DRAWINGS SHALL BE COORDINATED WITH ARCHITECT PRIOR TO INSTALLATION.
- ALL ITEMS SHALL ALIGN HORIZONTALLY AND VERTICALLY IF MORE THAN ONE ITEM IS LOCATED ON A WALL, U.L.O.D.
- THE DIAGRAMS ON THIS SHEET ARE TO ESTABLISH GUIDELINES FOR THE LOCATION OF DEVICES GENERALLY THROUGHOUT THE PROJECT. THESE DIMENSIONS SHALL BE TYPICAL UNLESS NOTED OTHERWISE ON DRAWINGS FOR SPECIFIC LOCATIONS.



NO	ISSUE	DATE
1	Addendum #3	01/17/2014

Issued for Permit: 02/07/2014
Author: KAISER
Date: 01/17/2014

Sheet Information

Date: SEPTEMBER 10, 2013
Job #: C140135461 (MMC) 152168.000
Drawn: Author
Checked: Checker
Approved: Approver

Title

TYPICAL MOUNTING HEIGHTS