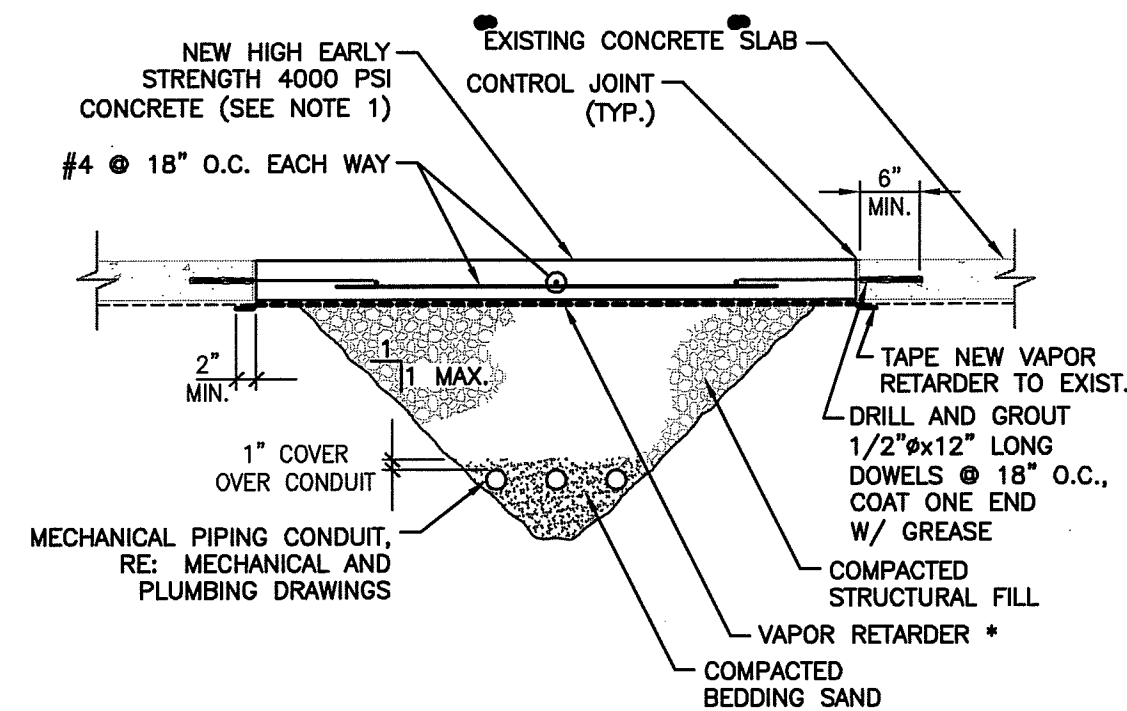


K3 MEDICAL GAS ZONE VALVE BOX

NOT TO SCALE

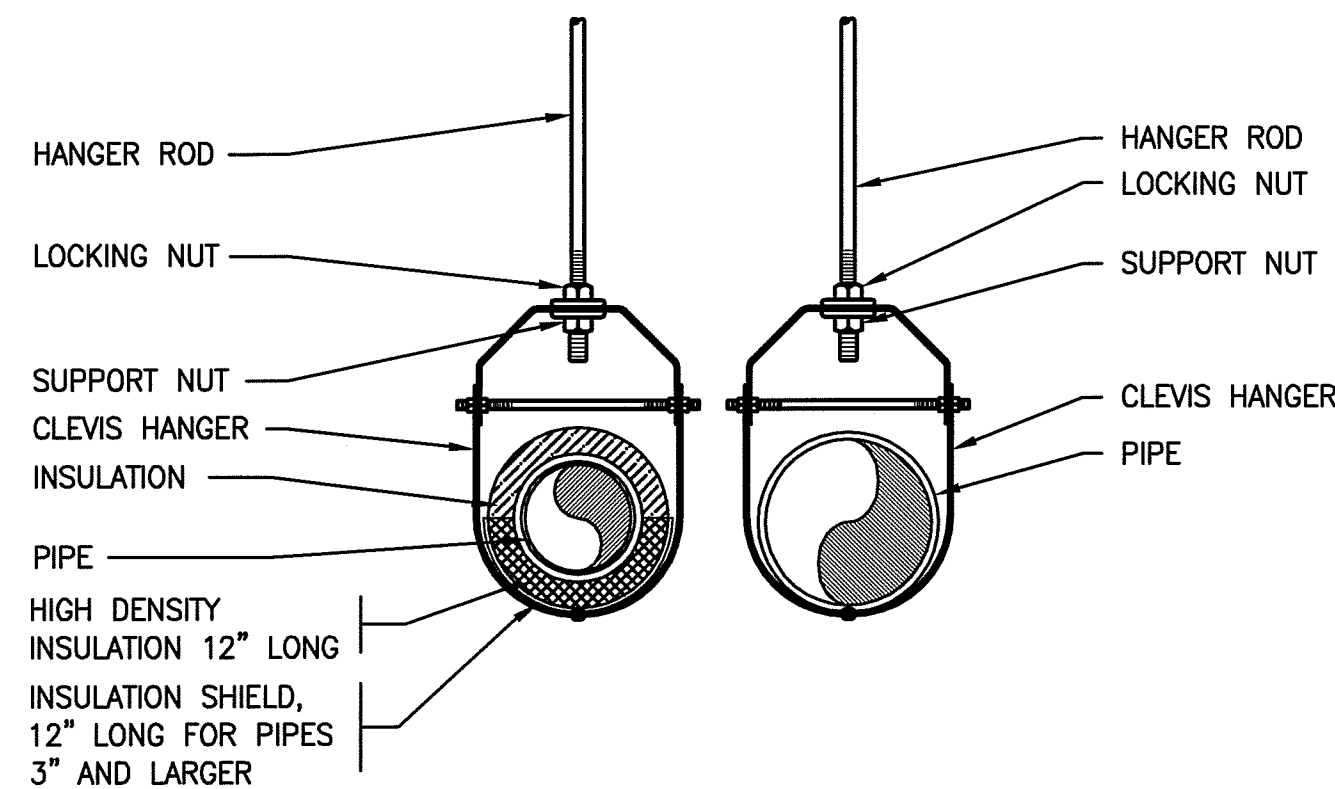


NOTES:

- CONCRETE SHALL BE LOW SLUMP (<4"), HIGH EARLY STRENGTH WITH RAPID SETTING CEMENT BY CTS OR EQUAL.
- NEW CONCRETE SLAB THICKNESS SHALL MATCH EXISTING.
- PROVIDE TRANSVERSE SAW CUT CONTROL JOINTS THAT ARE 1/4 OF THE SLAB DEPTH AND ARE SPACED 1.5x THE TRENCH WIDTH.
- PROVIDE CONTROL JOINTS AT INTERFACE BETWEEN NEW AND EXISTING CONCRETE.
- WET CURE FOR 7 DAYS MINIMUM.
- * VAPOR RETARDER REQUIRED ONLY IF THERE IS A VAPOR RETARDER UNDER EXISTING SLAB.

E3 TYPICAL TRENCHING DETAIL

NOT TO SCALE



HANGER ROD SCHEDULE		HANGER ROD SPACING	
PIPE SIZE	ROD SIZE	PIPE SIZE	MAX. ALLOWABLE SPACING
UP TO 2"	3/8" DIA.	1"	7'
2 1/2" THRU 3"	1/2" DIA.	1 1/4"	8'
4" AND 5"	5/8"	1 1/2"	9'
6" THRU 8"	3/4"	2"	10'
12"	7/8"	2 1/2"	11'
		3" THRU 8"	12'
		10" & 12"	15'

A3 PIPE HANGER INSTALLATION DETAIL

NOT TO SCALE

NOTE:

- SEE SHEET P-001 FOR LEGEND AND GENERAL NOTES.

PLUMBING FIXTURE CONNECTION SCHEDULE

FIXTURE	CW	HW	WASTE	VENT	NOTES
FLUSH VALVE WATER CLOSET	1"	-	4"	2"	①
LAVATORY	1/2"	1/2"	1-1/2"	1-1/2"	②
SINK	1/2"	1/2"	1-1/2"	1-1/2"	②

NOTES: ① PROVIDE SHOCK ABSORBER W/ ISOLATION VALVE, ACCESSIBLE.
② PROVIDE AIR CHAMBERS ON HW & CW CONNECTIONS.

PLUMBING SPECIALTIES SCHEDULE

TAG	APPLICATION	TYPICAL UNIT MFG & MODEL NO.	DESCRIPTION	NOTES
EE-A	EMERGENCY EYE WASH MIXING VALVE	LEONARD #TA-300-CP-IT-TOP	FAIL COLD, 10 PSIG MAX. DROP AT 4 GPM FLOWING, CHROME PLATED, TOP INLETS, INLET THERMOMETERS.	
EE-B	EMERGENCY EYE WASH / DRENCH HOSE UNIT	GUARDIAN #G5026BP	WALL MOUNTED	
EE-C	EMERGENCY EYE WASH / DRENCH HOSE UNIT	GUARDIAN #G5022BP	DECK MOUNTED	

NOTES:

MEDICAL GAS SCHEDULE

TAG	DESCRIPTION	MODEL NUMBER	O2	MA	MV	CO2	WAGD	NOTES
ZVB-A	ZONE VALVE BOX SERVING LINAC RM 376	BEACON MEDAES # 150202-00	1/2"	-	3/4"	-	-	②
ZVB-B	ZONE VALVE BOX SERVING SPECT/CT RM 334	BEACON MEDAES # 150202-00	1/2"	-	3/4"	-	-	②
AP-B	ALARM PANEL SERVING SPECT/CT 334	BEACON MEDAES TOTAL ALERT 2 # 6-TA2AR-0VBB	1/2"	-	3/4"	-	-	②
WO-A	WALL OUTLETS	BEACON MEDAES SERIES B MEDICAL GAS OUTLETS	1	-	1	-	1	①

NOTES: ① PROVIDE WALL OUTLETS (BEACON MEDAES) COORDINATE CONNECTION STYLE WITH FACILITY STANDARD
② PROVIDE GAUGES ON ALL MEDICAL GASES LOCATED WITHIN ZONE VALVE BOX. PER NFPA 99C

SHOCK ABSORBER SCHEDULE

TYPE	FIXTURE UNIT RATING	BASIS OF DESIGN	
		MANUF.	FIGURE NO.
'A'	1-10	ZURN	100
'B'	12-32	ZURN	200
'C'	33-60	ZURN	300
'D'	61-113	ZURN	400
'E'	114-154	ZURN	500
'F'	155-330	ZURN	600

PLUMBING FIXTURE SCHEDULE

TAG	DESCRIPTION	FIXTURE	FAUCET/DRAIN	TRIM	SUPPORT	NOTES
WC-A	TOILET ROOM FLOOR MOUNTED, REAR OUTLET WATER CLOSET - ADA	KOHLER #K-4352 "ANGLESEY", VITREOUS CHINA, 1.28 GPF	SLOAN "SOLIS" FLUSH VALVE #B111-1.28	CHURCH 9500 SSC	-	
LAV-A	TOILET ROOM WALL MOUNTED LAVATORY - ADA	KOHLER #K-2007 "KINGSTON" VITREOUS CHINA, SINGLE HOLE.	SLOAN OPTIMA "SOLIS" #EAF-275-ISM. FAUCET, CHICAGO #337-CP GRID DRAIN AND OFFSET TAILPIECE, MCGUIRE #8902 P-TRAP.	MCGUIRE #LFH170LK LOOSE KEY ANGLE STOPS, ESCUTCHEONS AND RISERS-CHROME PLATED.	ZURN 1231	①②
SK-A	WALL HUNG VITREOUS CHINA SINK - ADA	KOHLER #K-2007 "KINGSTON" VITREOUS CHINA, SINGLE HOLE.	SLOAN OPTIMA "SOLIS" #EAF-275-ISM. FAUCET, CHICAGO #337-CP GRID DRAIN AND OFFSET TAILPIECE, MCGUIRE #8902 P-TRAP.	MCGUIRE #LFH170LK LOOSE KEY ANGLE STOPS, ESCUTCHEONS AND RISERS-CHROME PLATED.	ZURN 1231	①②
SK-B	INJECTION ROOM SINGLE BOWL DROP IN SINK - ADA	ELKAY #LRAD15220365, 18 GAUGE, 304 SS, 11-1/2"x16"x6-1/2" DEEP. (3) HOLES 4" ON CENTER	CHICAGO FAUCET #786-E36ABCP, LKAD18 GRID DRAIN & OFFSET TAILPIECE, MCGUIRE #8912 P-TRAP.	MCGUIRE #LFH171LK LOOSE KEY ANGLE STOPS, ESCUTCHEONS AND RISERS-CHROME PLATED.	-	①
SK-C	HOT LAB SINGLE BOWL DROP IN SINK - ADA	ELKAY #LRAD13160365, 18 GAUGE, 304 SS, 10"x10"x6-1/2" DEEP. (3) HOLES 4" ON CENTER	CHICAGO FAUCET #786-E36ABCP, LKAD18 GRID DRAIN & OFFSET TAILPIECE, MCGUIRE #8912 P-TRAP.	MCGUIRE #LFH171LK LOOSE KEY ANGLE STOPS, ESCUTCHEONS AND RISERS-CHROME PLATED.	-	①
SK-D	STAFF BREAK ROOM SINGLE BOWL DROP IN SINK - ADA	ELKAY #LRAD15220465, 18 GAUGE, 304 SS, 11-1/2"x16"x6-1/2" DEEP. (3) HOLES 4" ON CENTER	CHICAGO FAUCET #786-L9E36ABCP, LKAD35 GRID DRAIN & OFFSET TAILPIECE, MCGUIRE #8912 P-TRAP.	MCGUIRE #LFH171LK LOOSE KEY ANGLE STOPS, ESCUTCHEONS AND RISERS-CHROME PLATED.	-	①

- NOTES: ① PROTECT EXPOSED PIPING - TRUEBRO #102-EZ.
② PROVIDE #EAF-12, 0.5 GPM LAMINAR FLOW OUTLET

144 Fore Street, P.O. Box 618
Portland, Maine 04104
tel. (207) 772-3846
fax. (207) 772-1070
www.smtinc.com

ARCHITECTURE
ENGINEERING
PLANNING
INTERIOR DESIGN
COMMISSIONING

SMART



MAINE MEDICAL CENTER
NUCLEAR MEDICINE RENOVATIONS
PORTLAND, MAINE

ISSUED FOR CONSTRUCTION
3-13-14

REV	DATE	DESCRIPTION
0	3-13-14	ISSUED FOR CONSTRUCTION

GRAPHIC SCALE:
0" 1"
SCALE: NO SCALE
PROJECT MANAGER: DJV
JC/DRAWN BY: MF
A/E OF RECORD: KME
CAD FILE: PL501-13128
PROJECT NO: 13128
DATE: 3-13-14
SHEET TITLE:

PLUMBING
SCHEDULES AND
DETAILS

SHEET No.
PL501
© COPYRIGHT 2013 SMT INC.