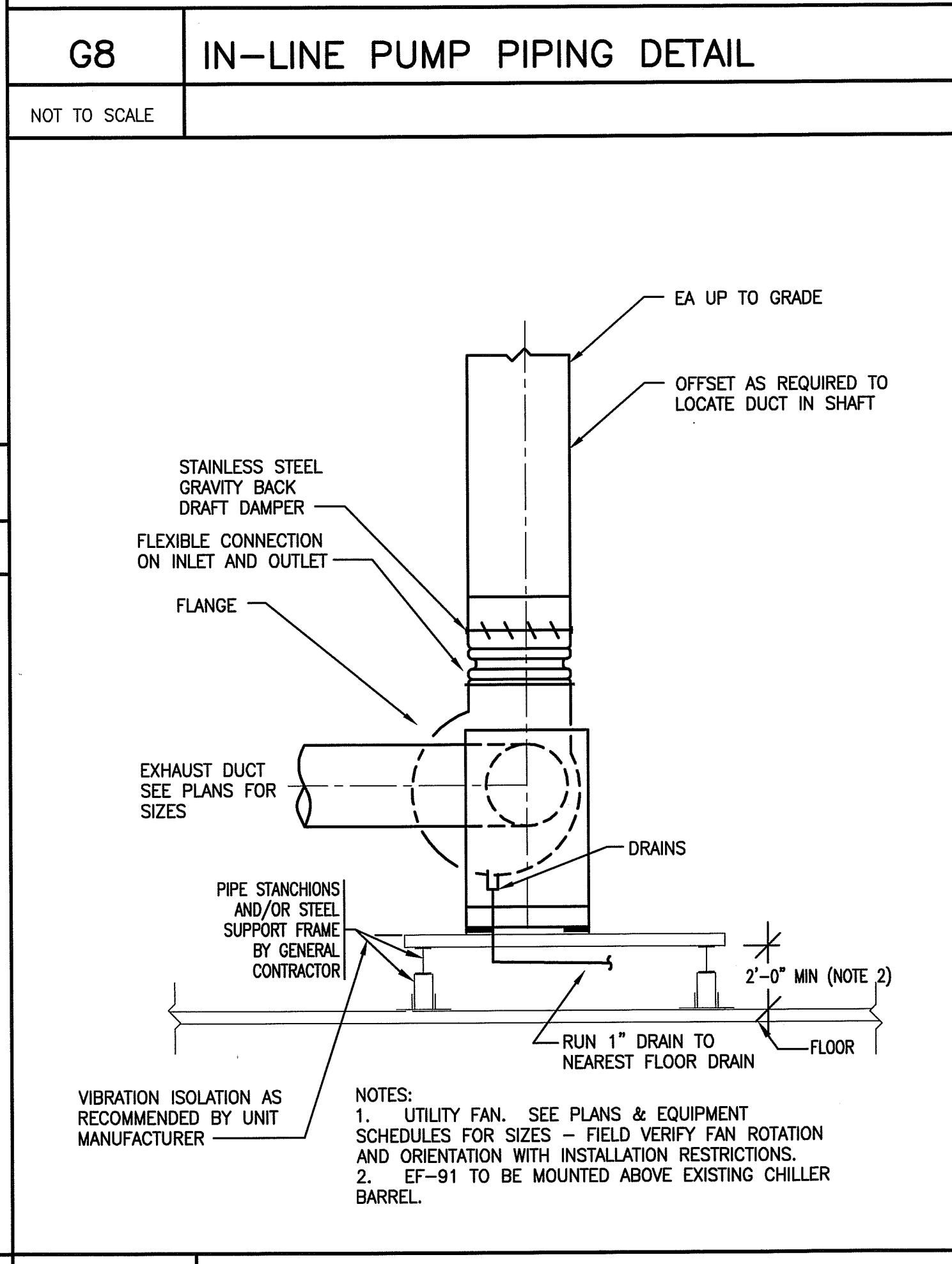
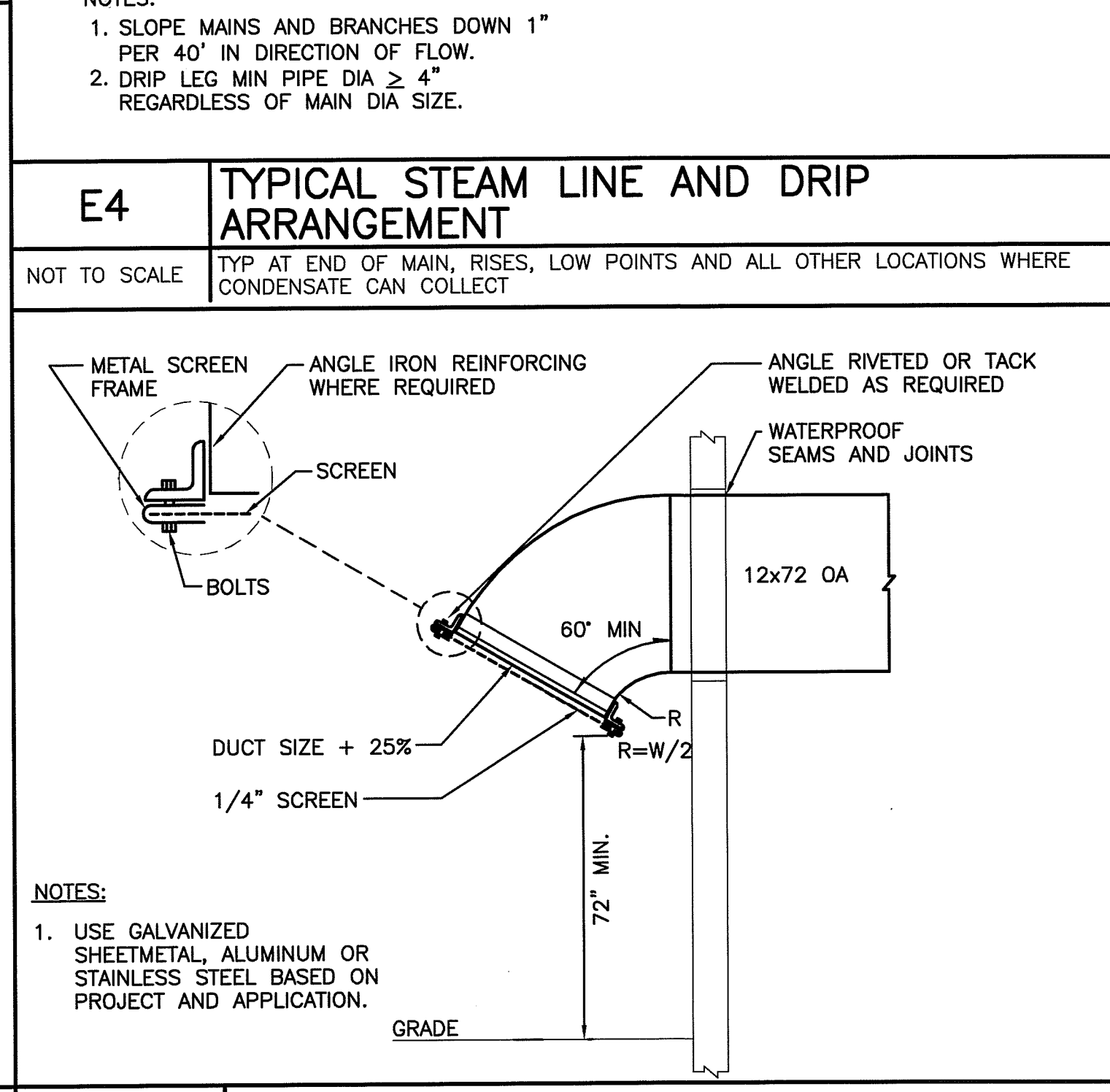
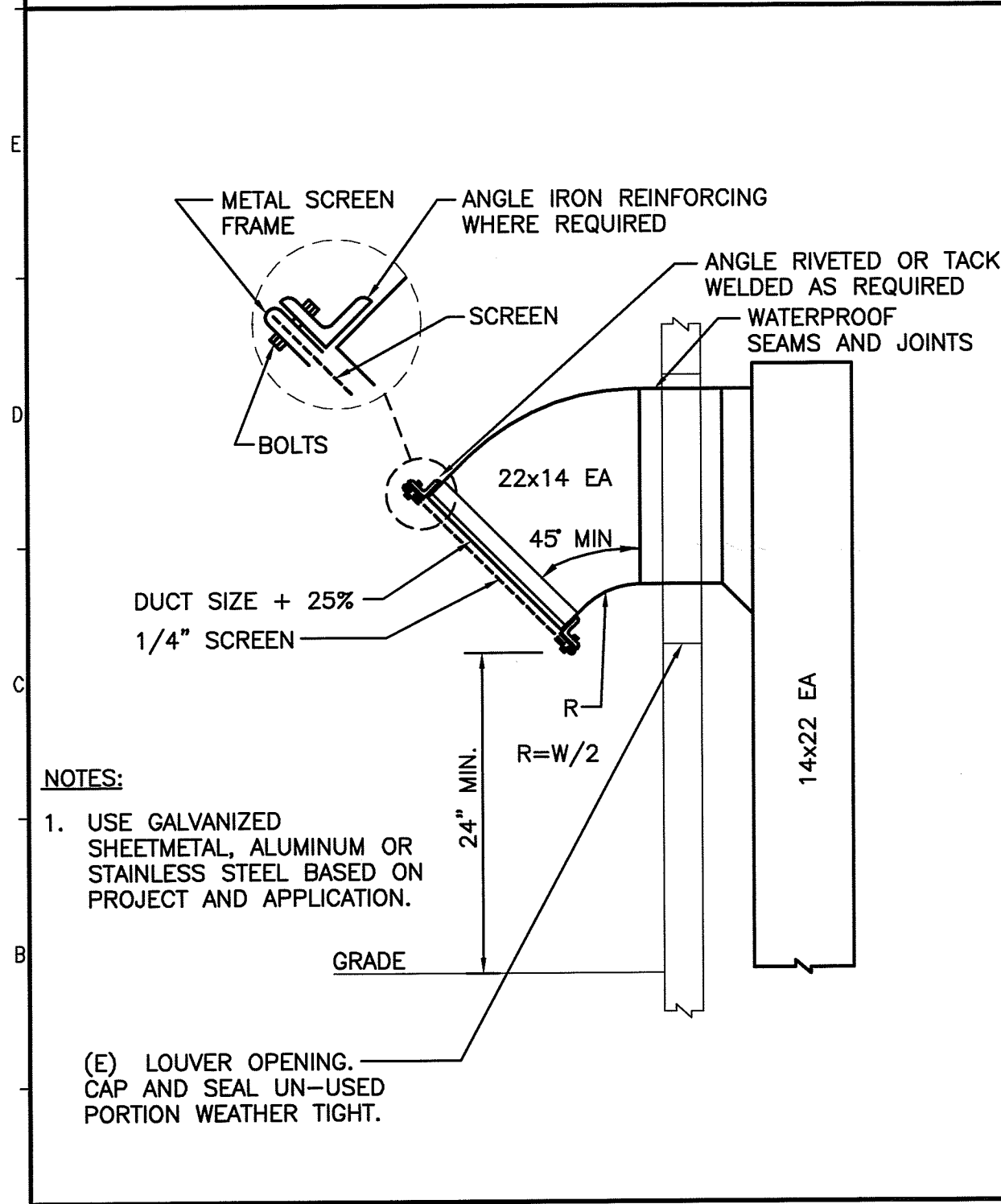
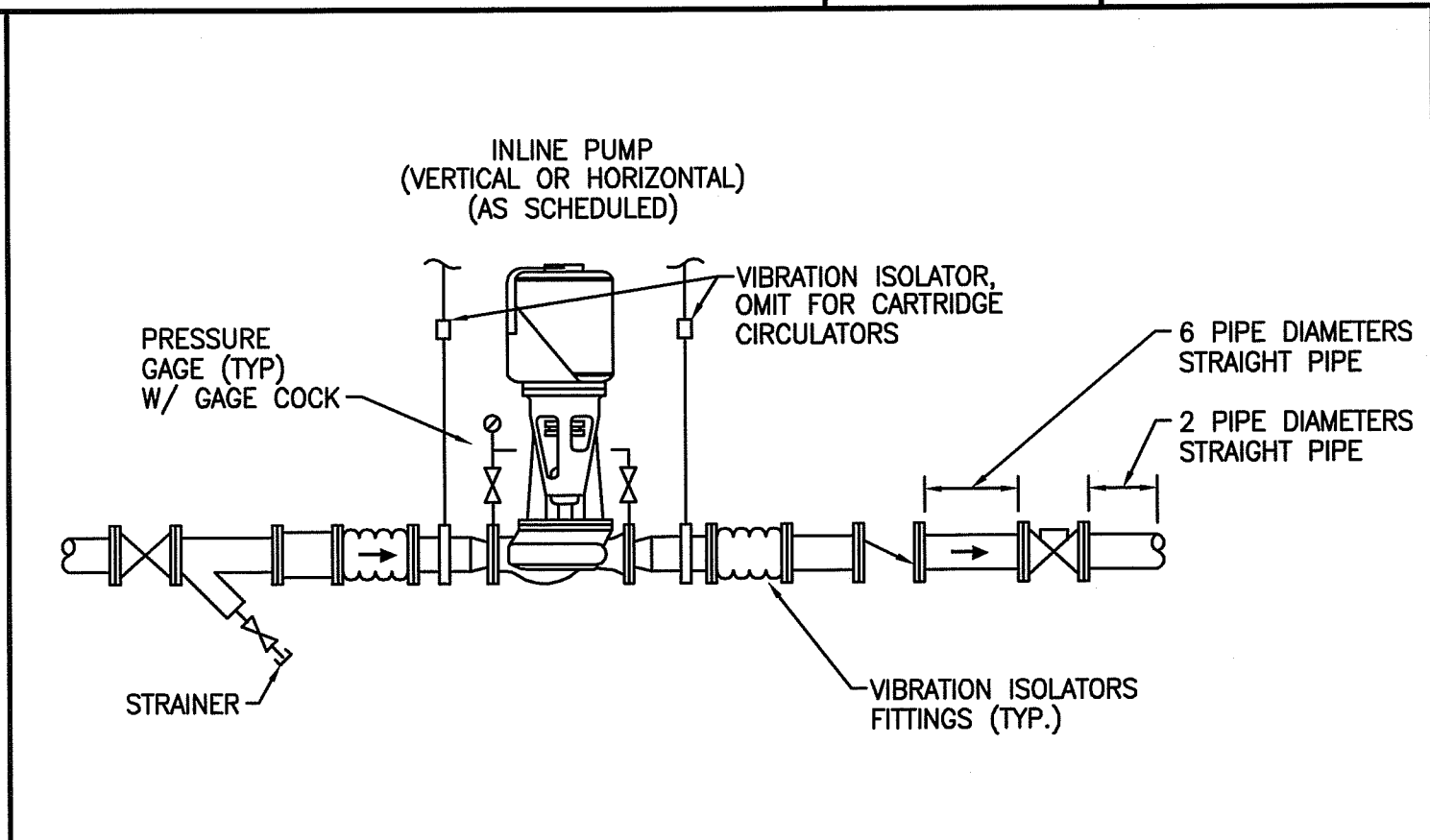
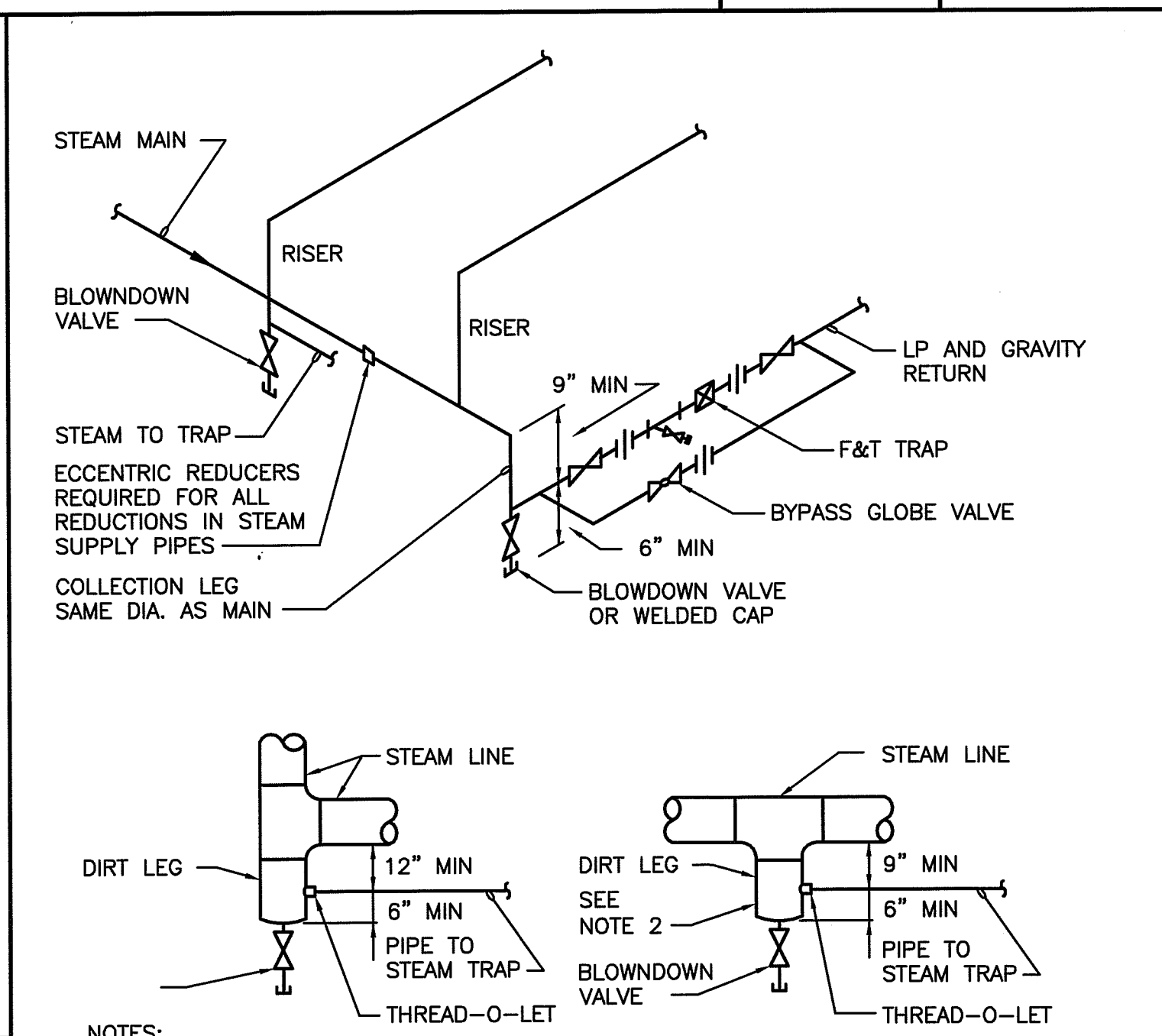
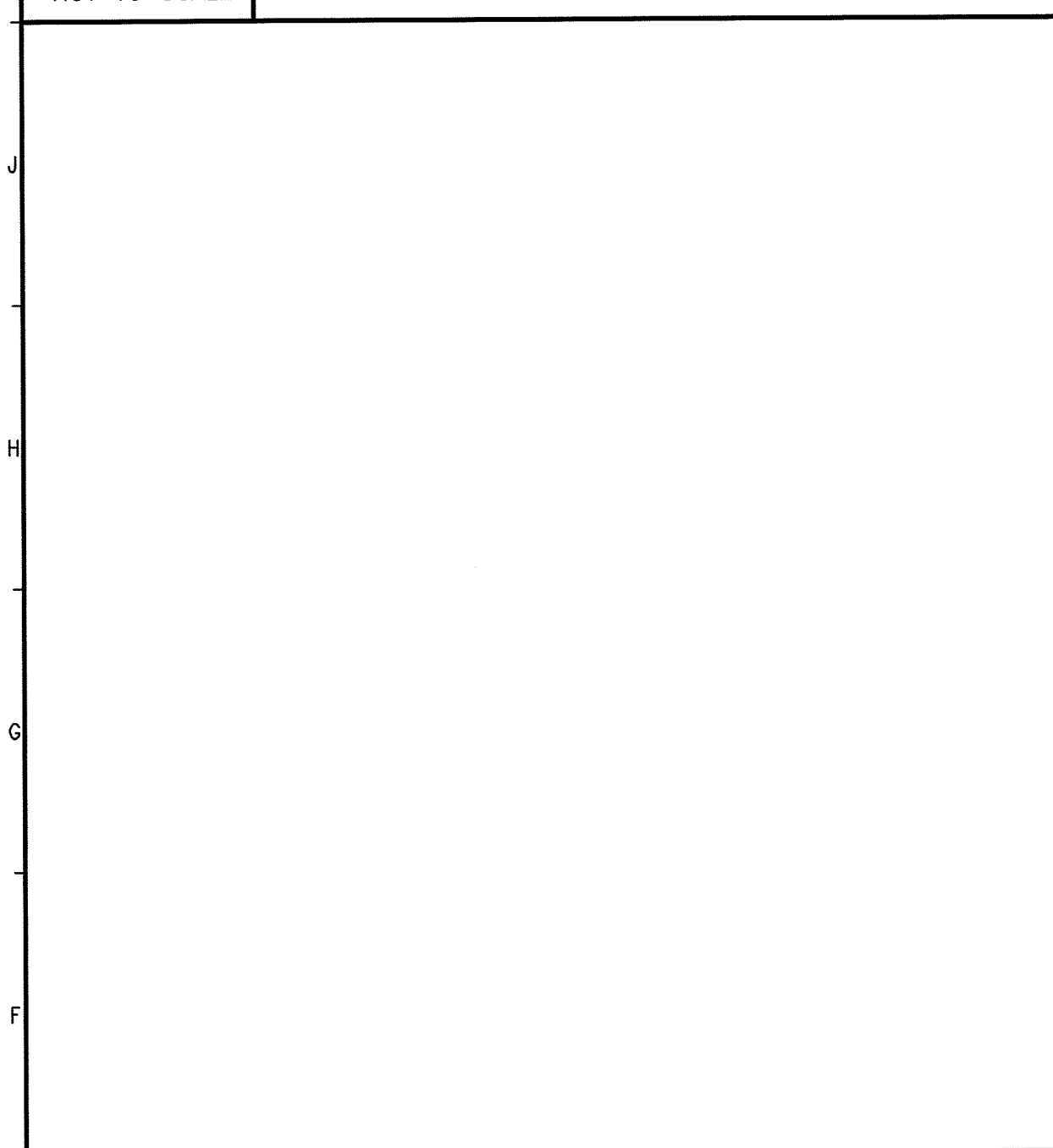


**K1** HYDRONIC COIL PIPING DETAIL W/ FREEZE PROTECTION PUMP  
NOT TO SCALE TYP. FOR AIR HANDLER MOUNTED COILS

**K6** VAV HOT WATER COIL PIPING DETAIL  
NOT TO SCALE

**K10** CHILLED WATER PIPING DETAIL, 1 TIER, THREE-WAY VALVE  
NOT TO SCALE TYP. FOR AIR HANDLER MOUNTED COILS



**A1** EXHAUST AIR HOOD DETAIL  
NOT TO SCALE

**A4** OUTSIDE AIR HOOD DETAIL  
NOT TO SCALE

**A8** UTILITY VENT  
NOT TO SCALE

**A12** RECTANGULAR DUCT MAIN AND BRANCH TAKE OFFS  
NOT TO SCALE

144 Fore Street P.O. Box 618  
Portland, Maine 04104  
Tel: (207) 772-3946  
Fax: (207) 772-1070  
www.amrhinc.com

ARCHITECTURE  
ENGINEERING  
PLANNING  
INTERIOR DESIGN  
COMMISSIONING

**SMART**

STATE OF MAINE  
KATHERINE M. EVERETT  
REGISTERED PROFESSIONAL ENGINEER  
3-13-14

MAINE MEDICAL CENTER  
NUCLEAR MEDICINE RENOVATIONS  
PORTLAND, MAINE

ISSUED FOR CONSTRUCTION  
3-13-14

REV	DESCRIPTION	DATE
0	ISSUED FOR CONSTRUCTION	3-13-14

GRAPHIC SCALE:  
0" = 1'

SCALE: NOT TO SCALE  
PROJECT MANAGER: DUV  
LIC/DRAWN BY: FV  
A/E OF RECORD: KME  
CAD FILE: M-502-13128  
PROJECT NO: 13128  
DATE: 3-13-14  
SHEET TITLE:  
HVAC DETAILS

SHEET No.  
**M-502**  
© COPYRIGHT 2013 SMART INC.