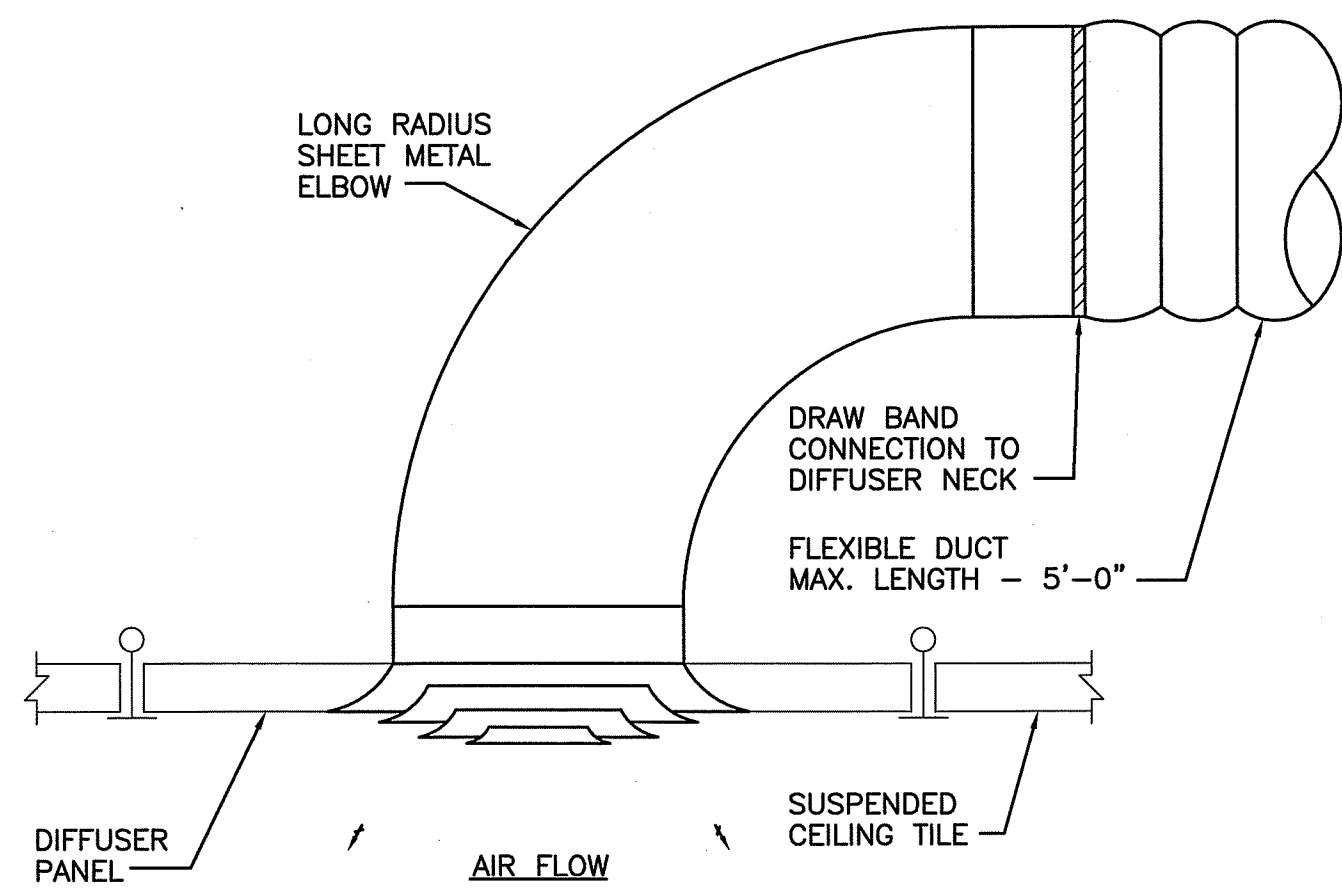


NOTES:

1. INSTALL ACCESS DOOR IN DUCT FOR DAMPER ACCESS.
2. INSTALL IN ACCORDANCE WITH MANUFACTURERS RECOMMENDATIONS AND NFPA-90A.
3. REFER TO SMACNA-"FIRE, SMOKE AND RADIATION DAMPER INSTALLATION GUIDE FOR HVAC SYSTEMS" FOR FIRE DAMPER INSTALLATION DETAILS.
4. MOUNTING ANGLES SHALL BE 2" X 2" X 16 GA. FOR DAMPERS 48" OR LARGER IN WIDTH OR HEIGHT.
5. SLEEVE THICKNESS SHALL NOT BE LESS THAN THE GAUGE OF THE DUCT.

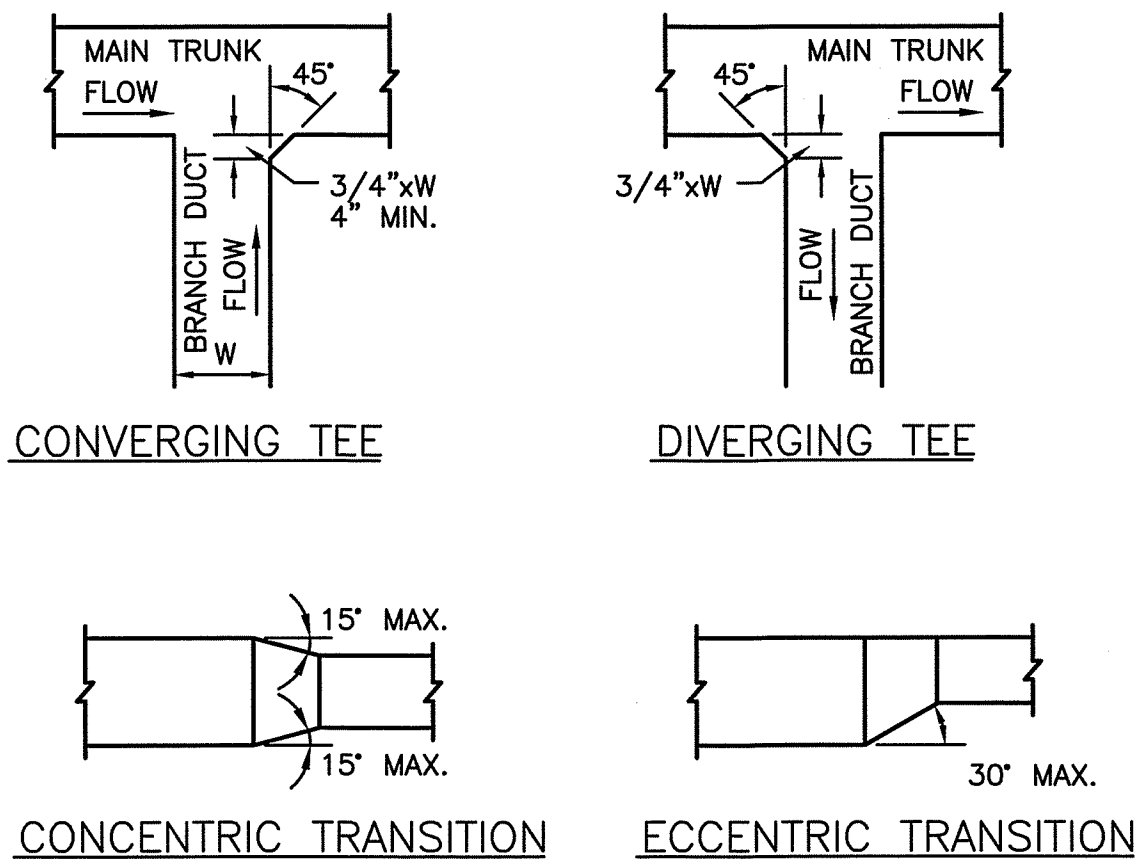
L1 FIRE DAMPER HORIZONTAL

NOT TO SCALE



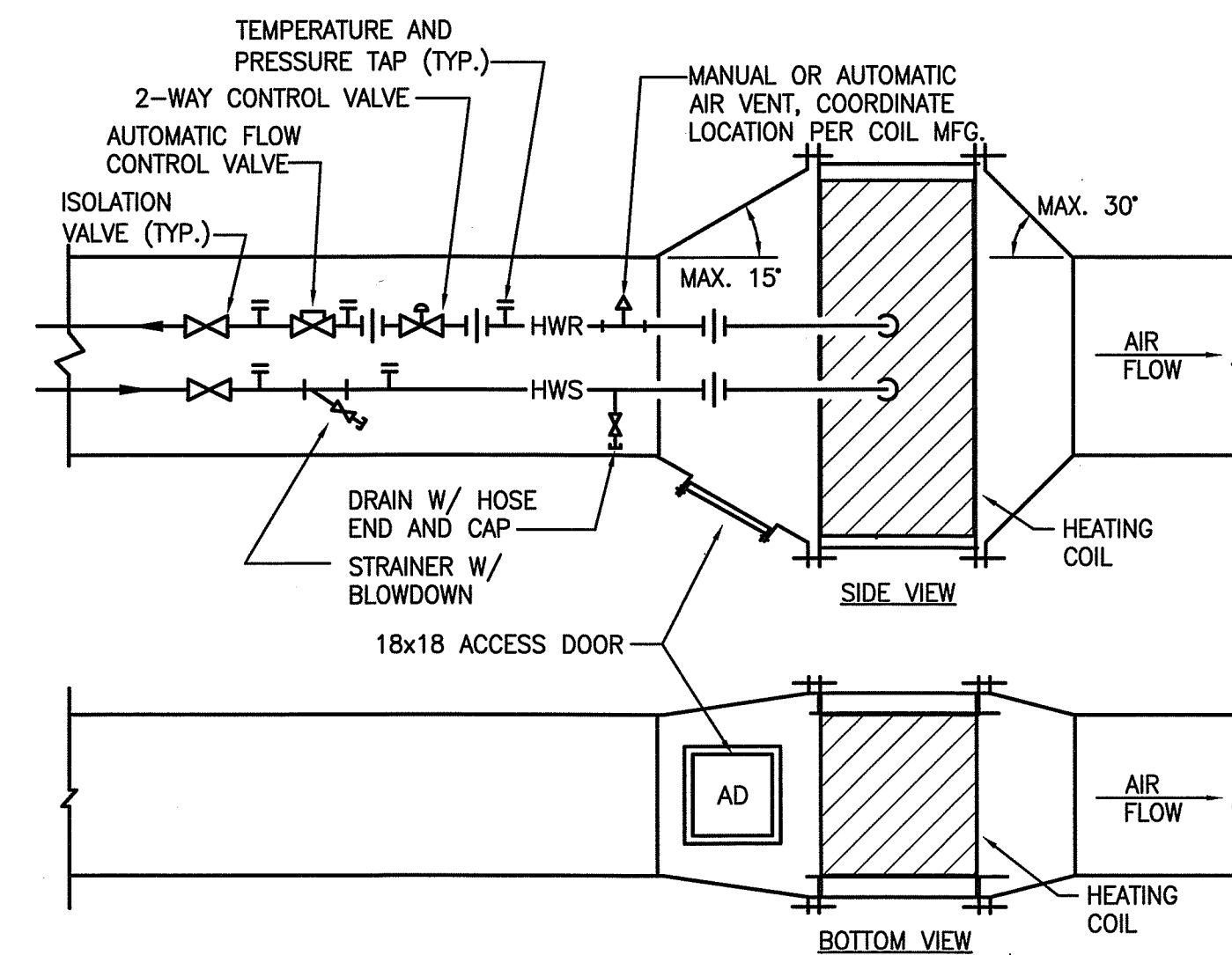
G1 FLEXIBLE DUCT

NOT TO SCALE



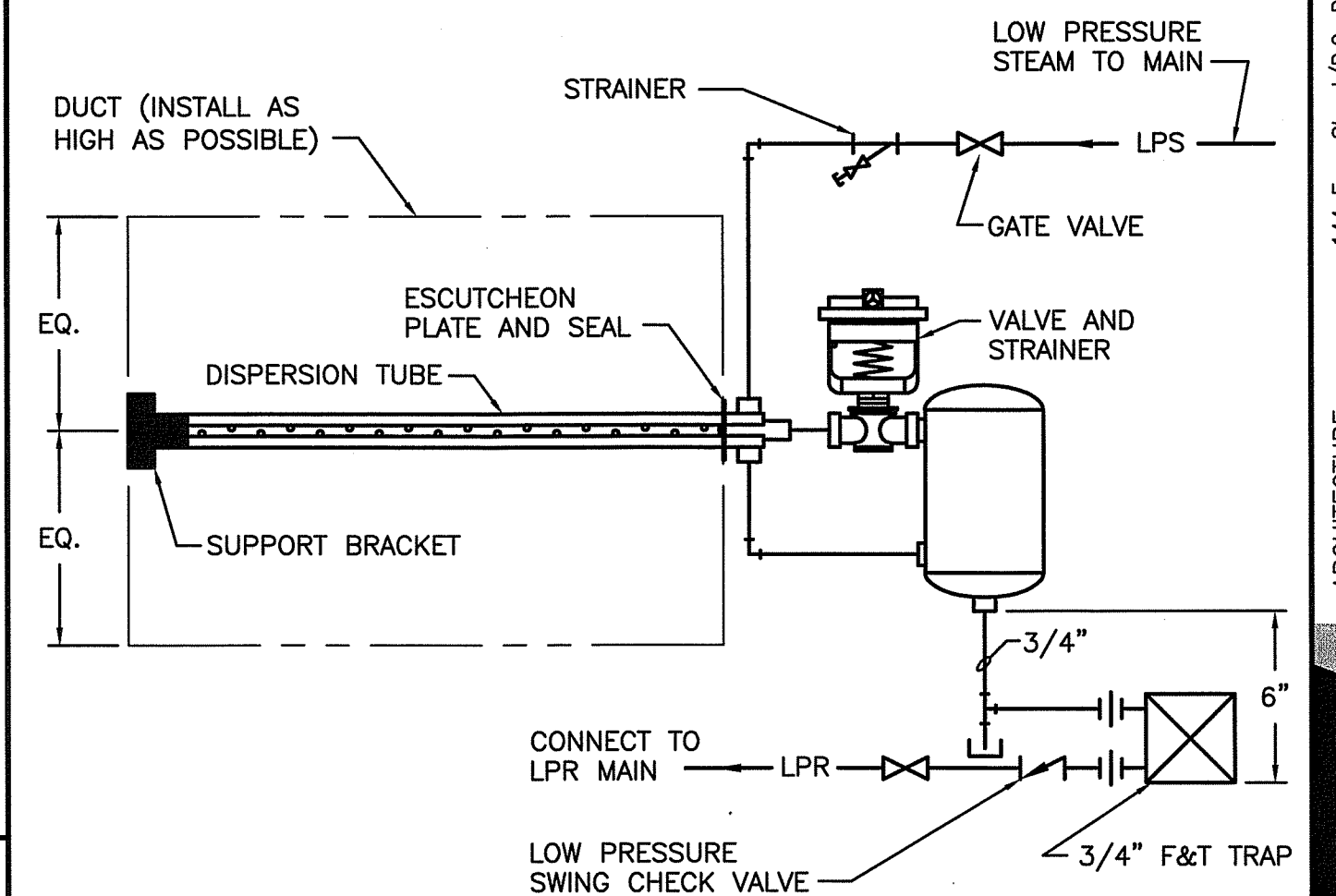
G5 DUCT TRANSITIONS

NOT TO SCALE



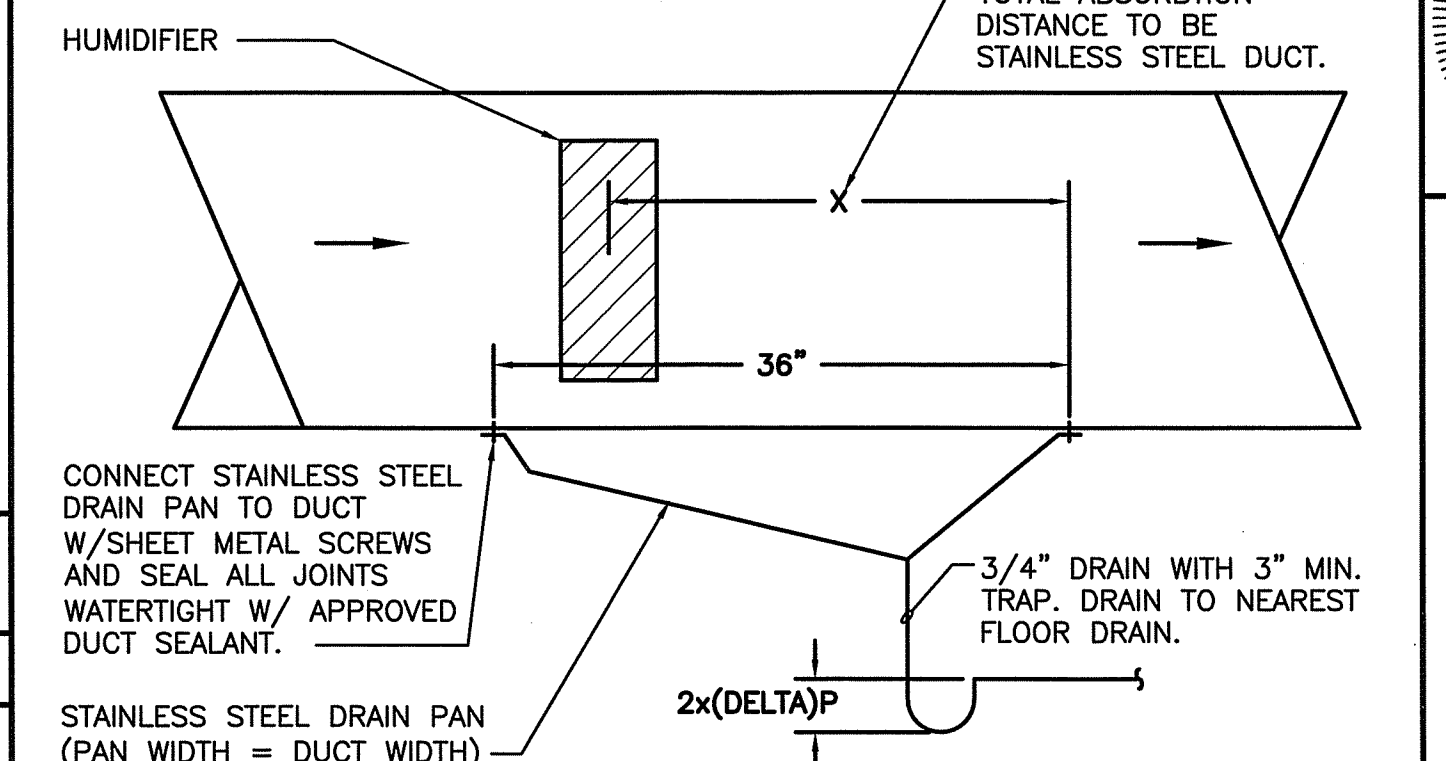
G9 DUCT HEATING COIL PIPING SCHEMATIC

NOT TO SCALE



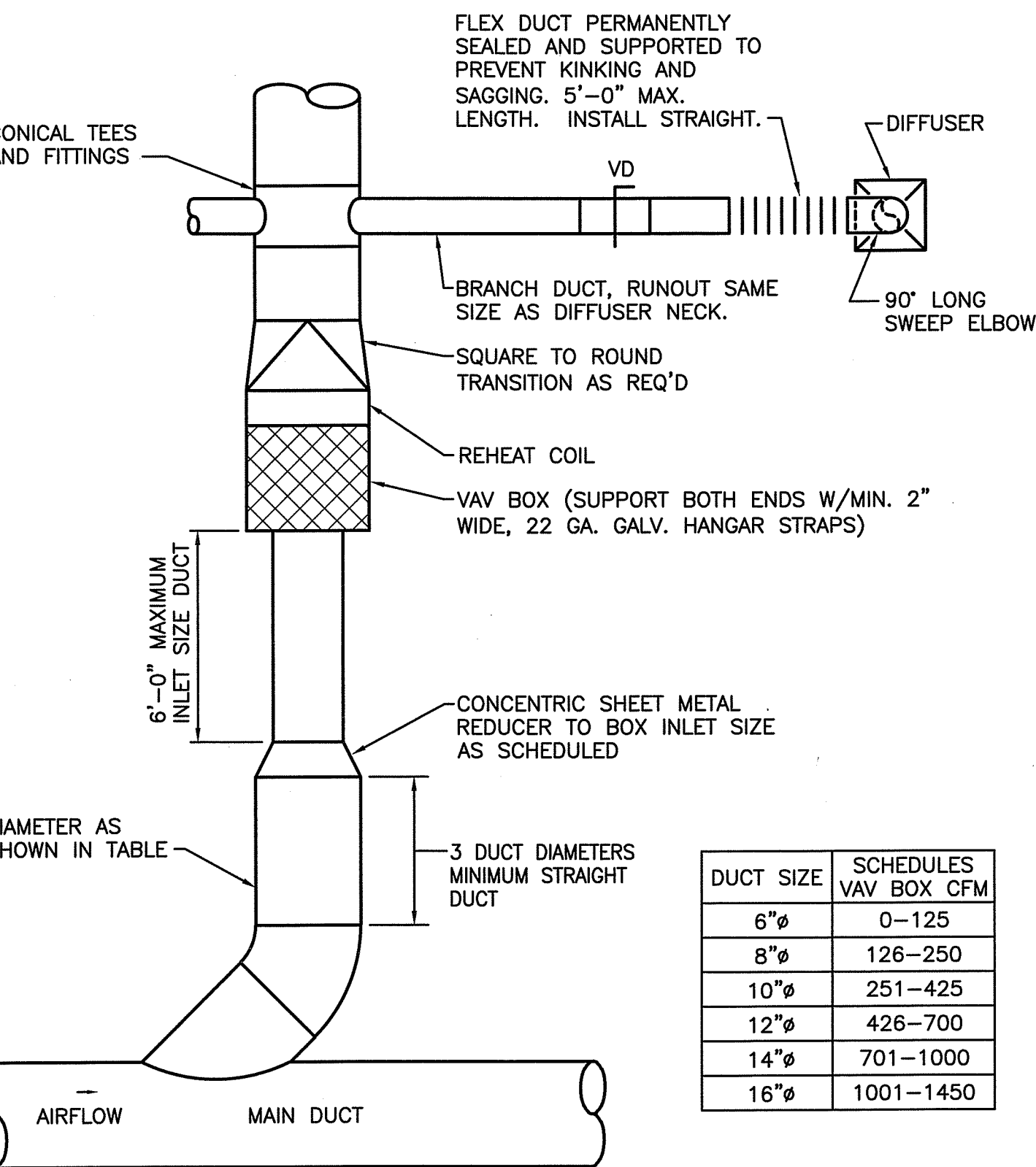
K13 HUMIDIFIER DETAIL

NOT TO SCALE



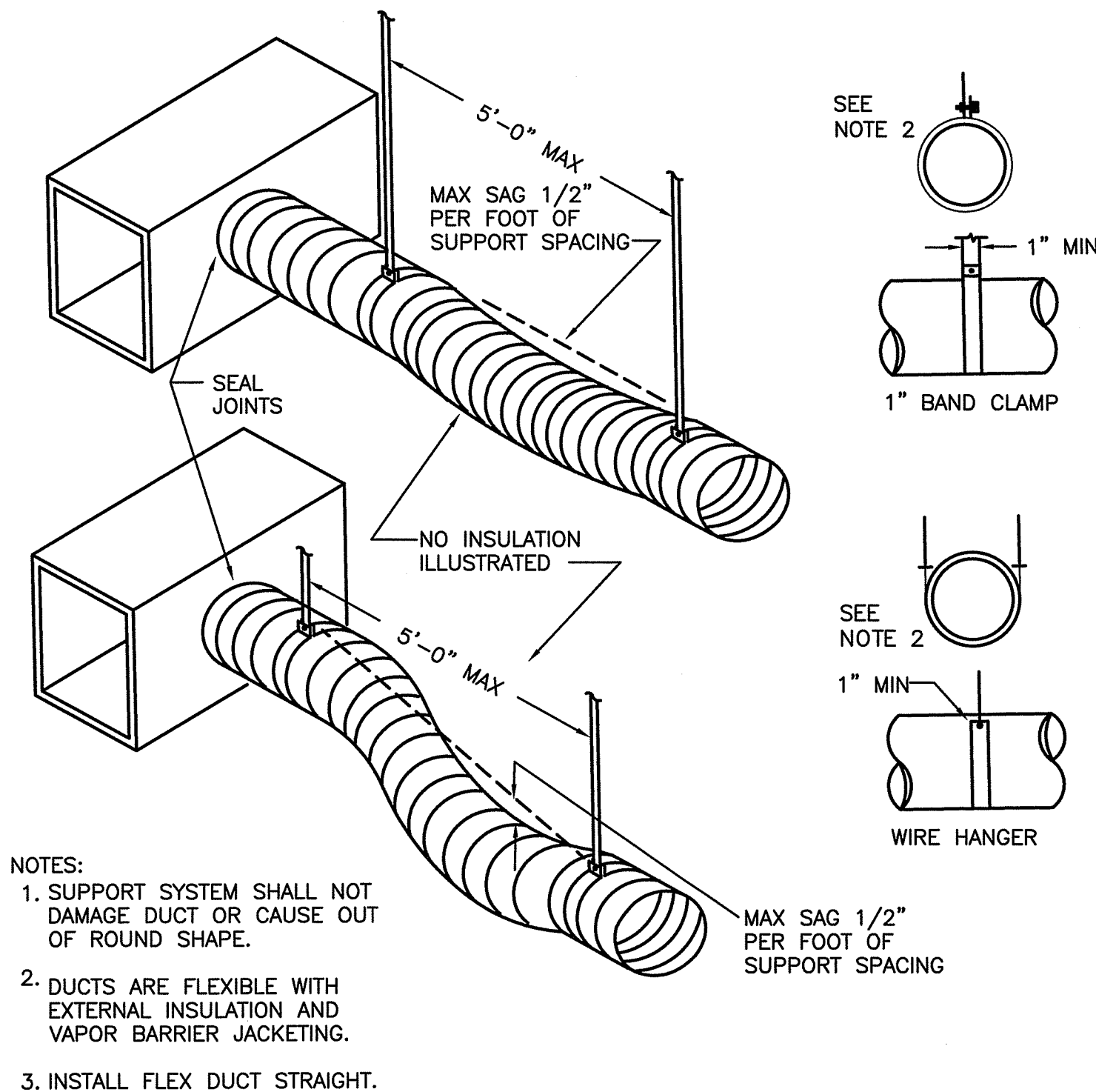
E13 DRAIN PAN DETAIL

NOT TO SCALE



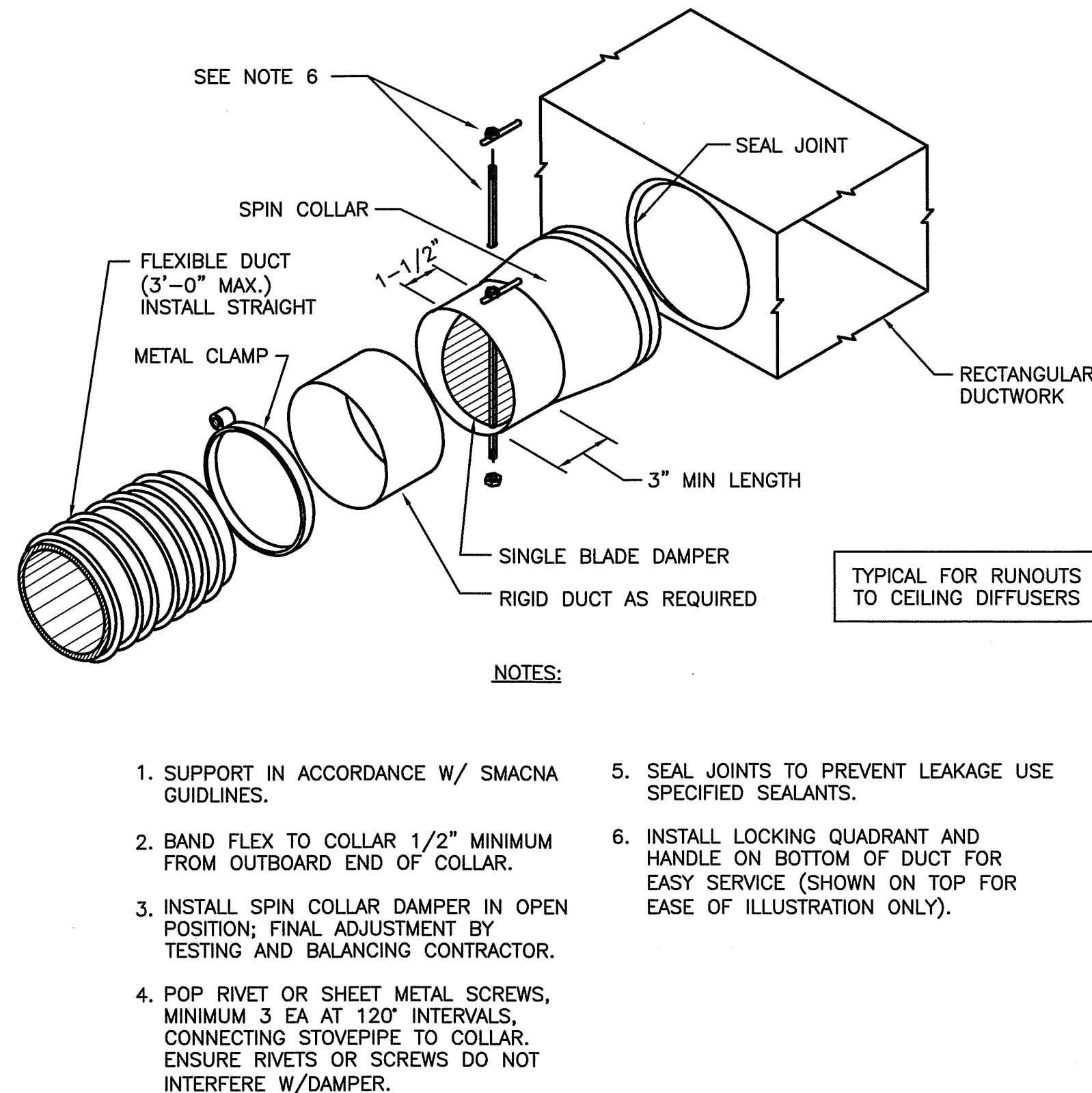
A1 VAV BOX SCHEMATIC

NOT TO SCALE



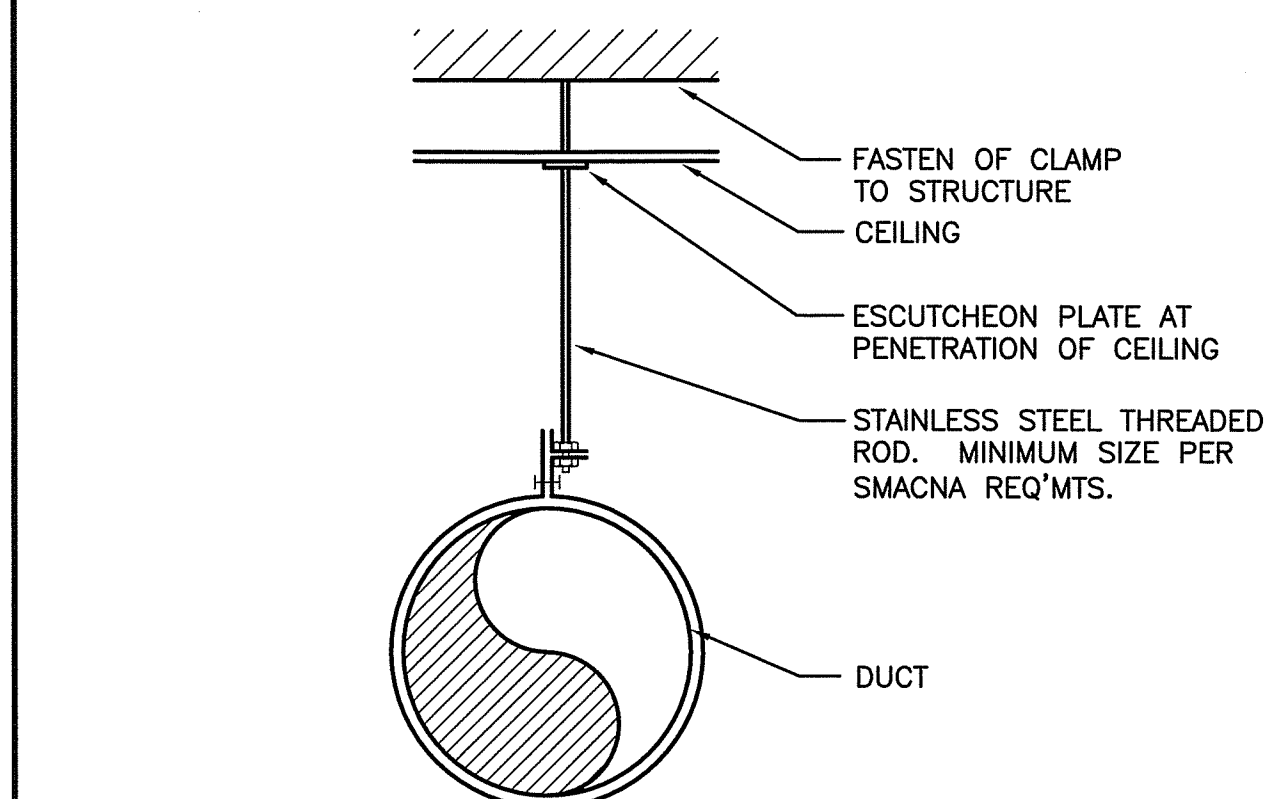
A5 STRAIGHT SECTION FLEXIBLE DUCT SUPPORT REQUIREMENTS

NOT TO SCALE



A9 SPIN COLLAR DUCT CONNECTOR W/DAMPER

NOT TO SCALE



A13 DUCT HANGER

NOT TO SCALE

144 Fore Street/P.O. Box 618
Portland, Maine 04104
Tel: (207) 772-3846
Fax: (207) 772-1070
www.smrfac.com

ARCHITECTURE
ENGINEERING
PLANNING
INTERIOR DESIGN
COMMISSIONING



MAINE MEDICAL CENTER
MRI #1 AND READING ROOM RENOVATION
PORTLAND, MAINE

REV	DATE	DESCRIPTION
0	9-20-13	ISSUED FOR CONSTRUCTION

GRAPHIC SCALE:
0 1'
SCALE: NOT TO SCALE
PROJECT MANAGER: DJV
JC/DRAWN BY: BAL
A/E OF RECORD: KME
CAD FILE: M-501-12118
PROJECT NO: 12118
DATE: 9-20-13

SHEET TITLE:
MECHANICAL DETAILS

SHEET No.
M-501
© COPYRIGHT 2013 SWIFT INC.