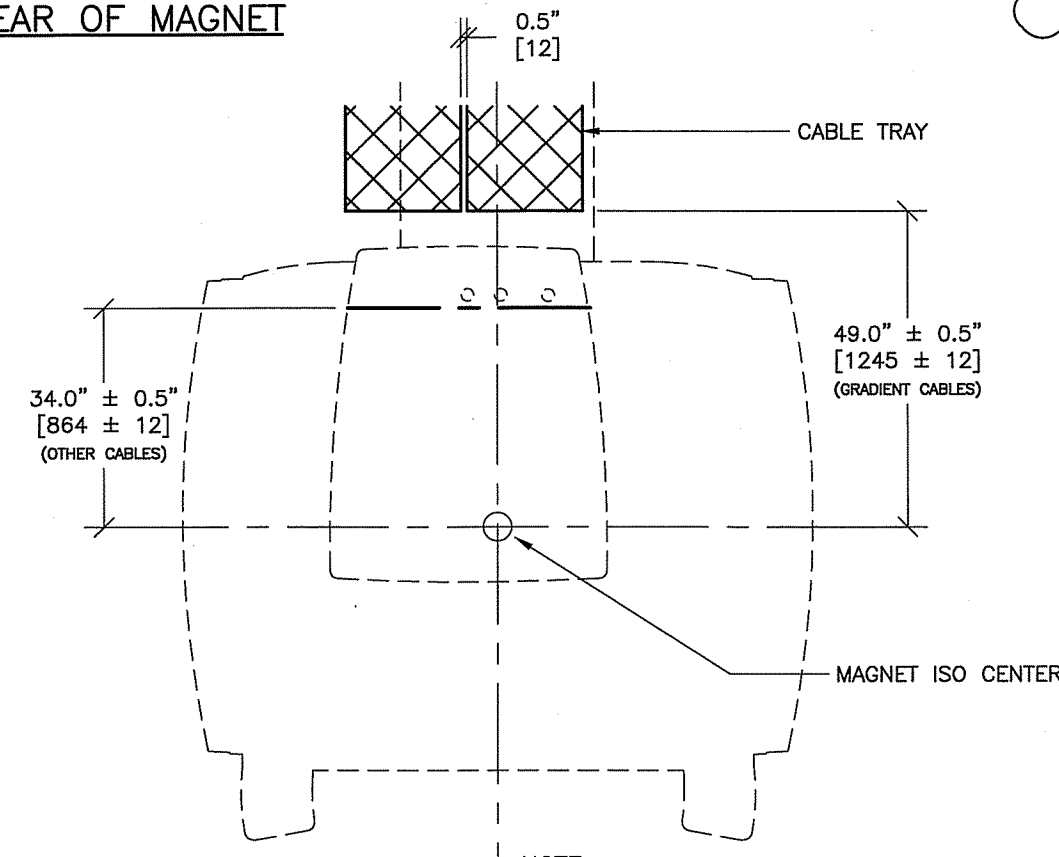


ELECTRICAL DETAIL
CABLE TRAY REQUIREMENTS



ELEC-187
REV. DATE: 01.AUG.13

REAR OF MAGNET



FRONT OF MAGNET

NOTE:
DIMENSION GIVEN IN INCHES [] EQUALS MM
MINIMUM CABLE TRAY HEIGHT AT BACK OF MAGNET IS 101.5" [2578] - TRAY HEIGHT MAY BE LOWER AT OTHER POINTS TO AVOID OBSTRUCTIONS
MAXIMUM CABLE TRAY HEIGHT TO TOP OF TRAY IS 128" [3251]
MINIMUM DISTANCE FROM TOP OF CABLE TRAY TO ANY OBSTRUCTION IS 10" [254]
DETAIL NOT TO SCALE

This drawing is based on Sketch No.: 13net045

PIM R4

RQ - 137547

SHEET TITLE: ELECTRICAL DETAILS
MODALITY TYPE: DISCOVERY MR 750w GEM

THIS PLAN IS SUBMITTED TO SUGGEST LOCATION OF GE HEALTHCARE EQUIPMENT IN CONFORMANCE WITH THE REQUIREMENTS OF THE PROJECT. GE HEALTHCARE EQUIPMENT IS NOT TO BE INSTALLED WITHOUT THE APPROVAL OF GE HEALTHCARE. IN PREPARING THIS PLAN, USER'S BEST EFFORT HAS BEEN MADE TO CORRECTLY IDENTIFY THE LOCATION OF THE EQUIPMENT. HOWEVER, IT IS NOT TO BE USED FOR ACTUAL CONSTRUCTION PURPOSES. HOWEVER, AND THE COMPANY CANNOT ACCEPT RESPONSIBILITY FOR ANY DAMAGES RESULTING THEREFROM.

PROJECT TITLE:
MAINE MEDICAL
CENTER
PORTLAND, MAINE

PROJECT	REVISION
132054	01

DATE: 02.Jul.13
DRAWN BY: MCK
CHECKED BY: JGA
GON NO: 4108424
GON DT: 27.Jun.13

REVISION HISTORY:

1	KMR - 26.Aug.13
	CHECKED BY: PMM

SHEET
E4



GE Healthcare
Healthcare Project Implementation - Design Center
Milwaukee, Wisconsin