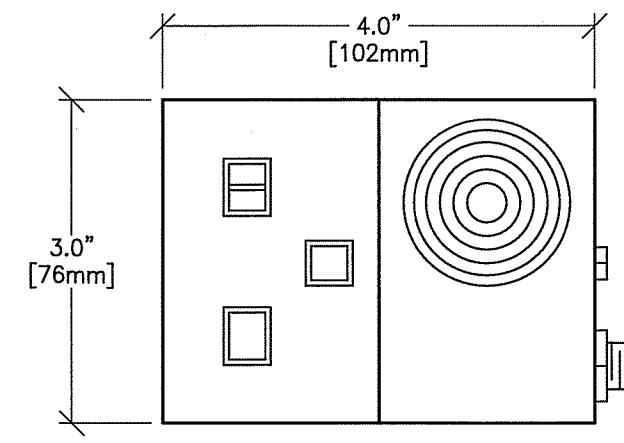
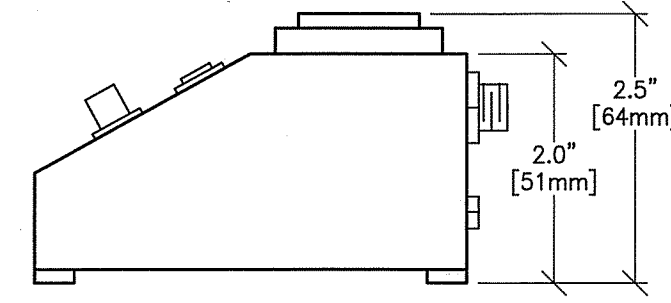


EQUIPMENT DETAIL  
PNEUMATIC PATIENT ALERT CONTROL BOX

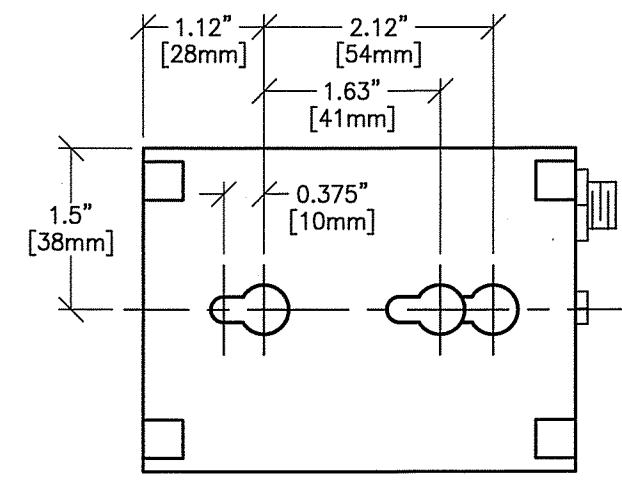
M48-15  
REV. DATE: 06/21/96



PLAN VIEW



SIDE VIEW



MOUNTING PATTERN

DETAIL NOT TO SCALE

This drawing is based on Sketch No.: 13net045

PIM R4

RQ - 137547

SHEET TITLE: EQUIPMENT DETAILS  
MODALITY TYPE: DISCOVERY MR 750w GEM

THIS PLAN IS SUBMITTED TO SUGGEST LOCATION OF GE HEALTHCARE EQUIPMENT. GE HEALTHCARE EQUIPMENT IS NOT TO BE INSTALLED WITHOUT THE APPROVAL OF GE HEALTHCARE. AN ATTEMPT WILL BE MADE TO CORRECT ANY ERRORS IN THIS PLAN. HOWEVER, THE USER ASSUMES RESPONSIBILITY FOR THE ACCURACY OF THIS PLAN. GE HEALTHCARE DOES NOT ACCEPT RESPONSIBILITY FOR ANY DAMAGES RESULTING FROM THE USE OF THIS PLAN. IT IS NOT TO BE USED FOR ACTUAL CONSTRUCTION PURPOSES. HOWEVER, AND THE COMPANY CANNOT ACCEPT RESPONSIBILITY FOR ANY DAMAGES RESULTING THEREFROM.

PROJECT TITLE:  
**MAINE MEDICAL CENTER**  
PORTLAND, MAINE

PROJECT	REVISION
132054	01
DATE:	02.Jul.13
DRAWN BY:	MCK
CHECKED BY:	JGA
GON NO:	4108424
GON DT:	27.Jun.13

REVISION HISTORY:

KMR	- 26.Aug.13
CHECKED BY:	PMM

SHEET  
**D3**

**GE Healthcare**  
Healthcare Project Implementation - Design Center  
Milwaukee, Wisconsin