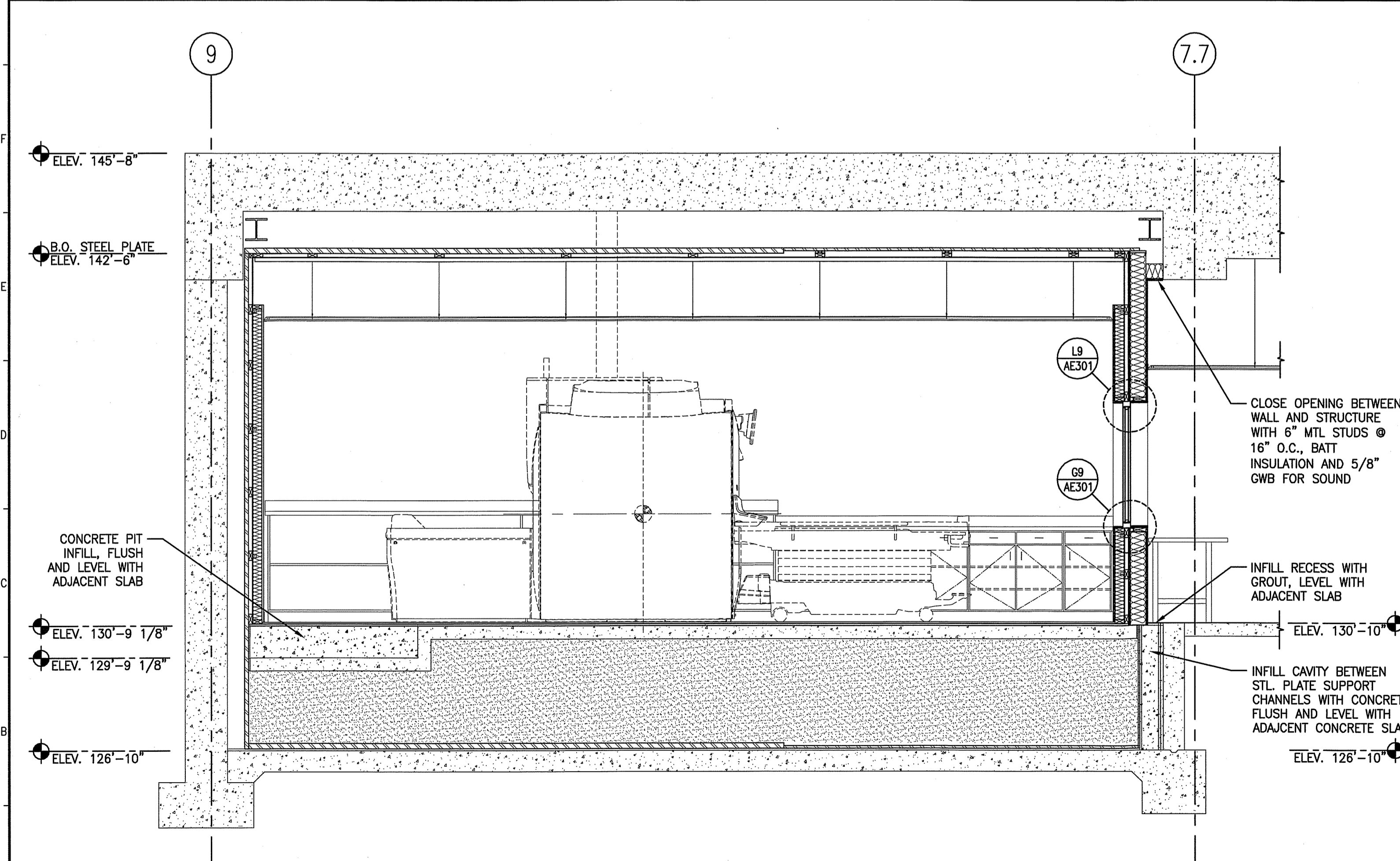
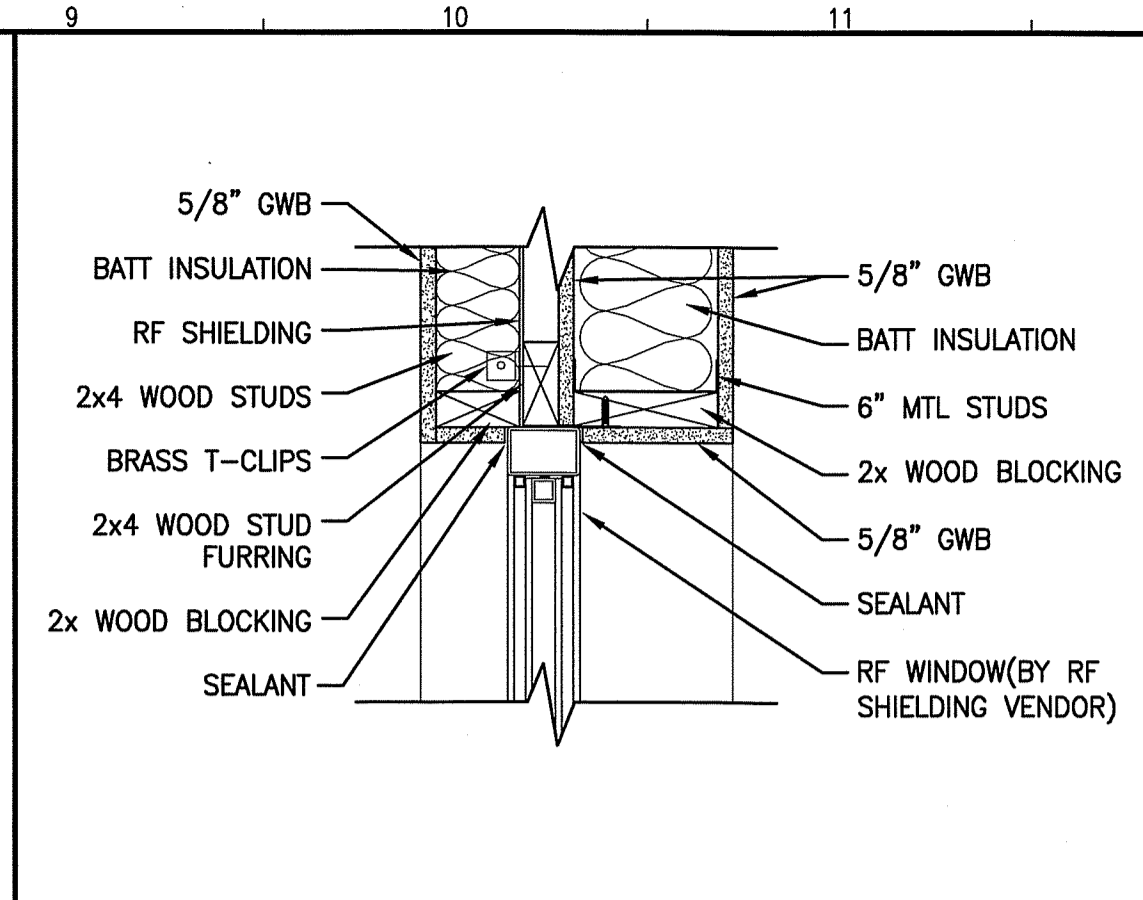


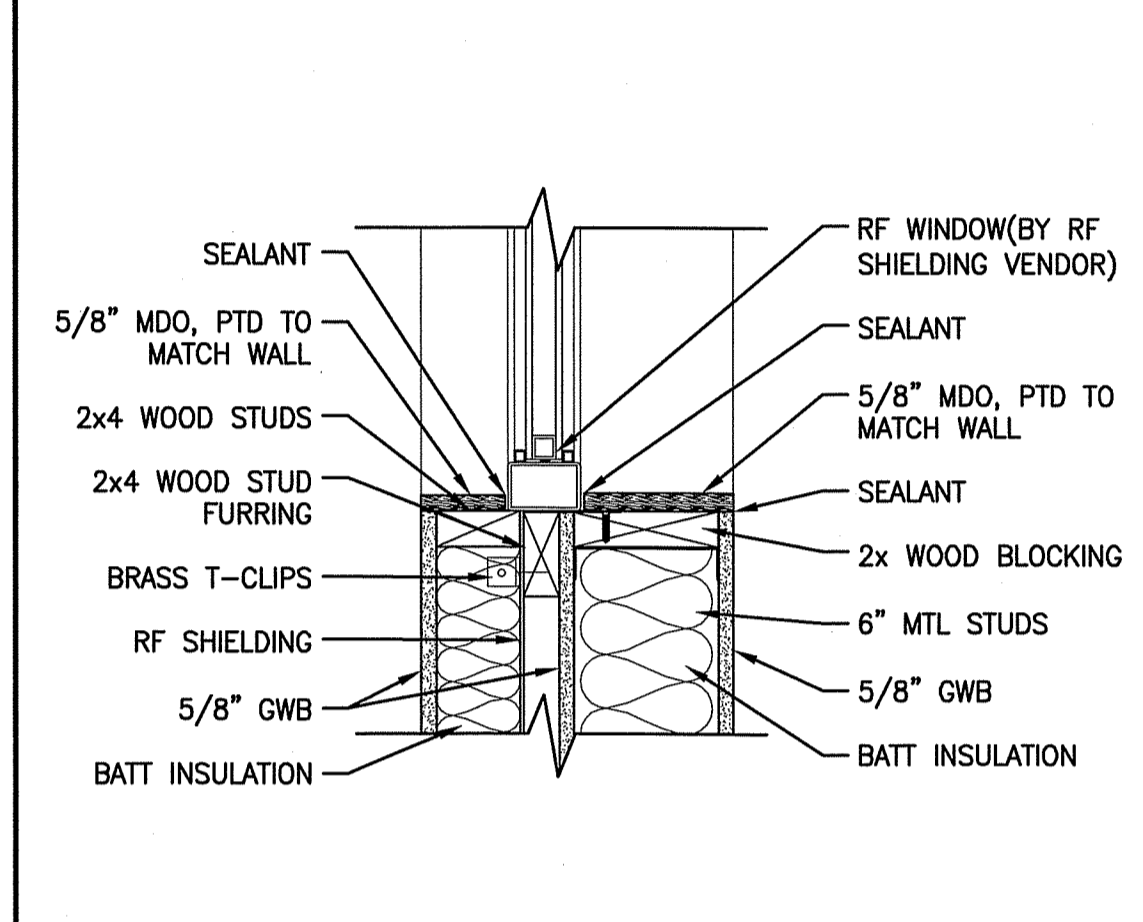
G1 MR ROOM SECTION
3/8"=1'-0" *



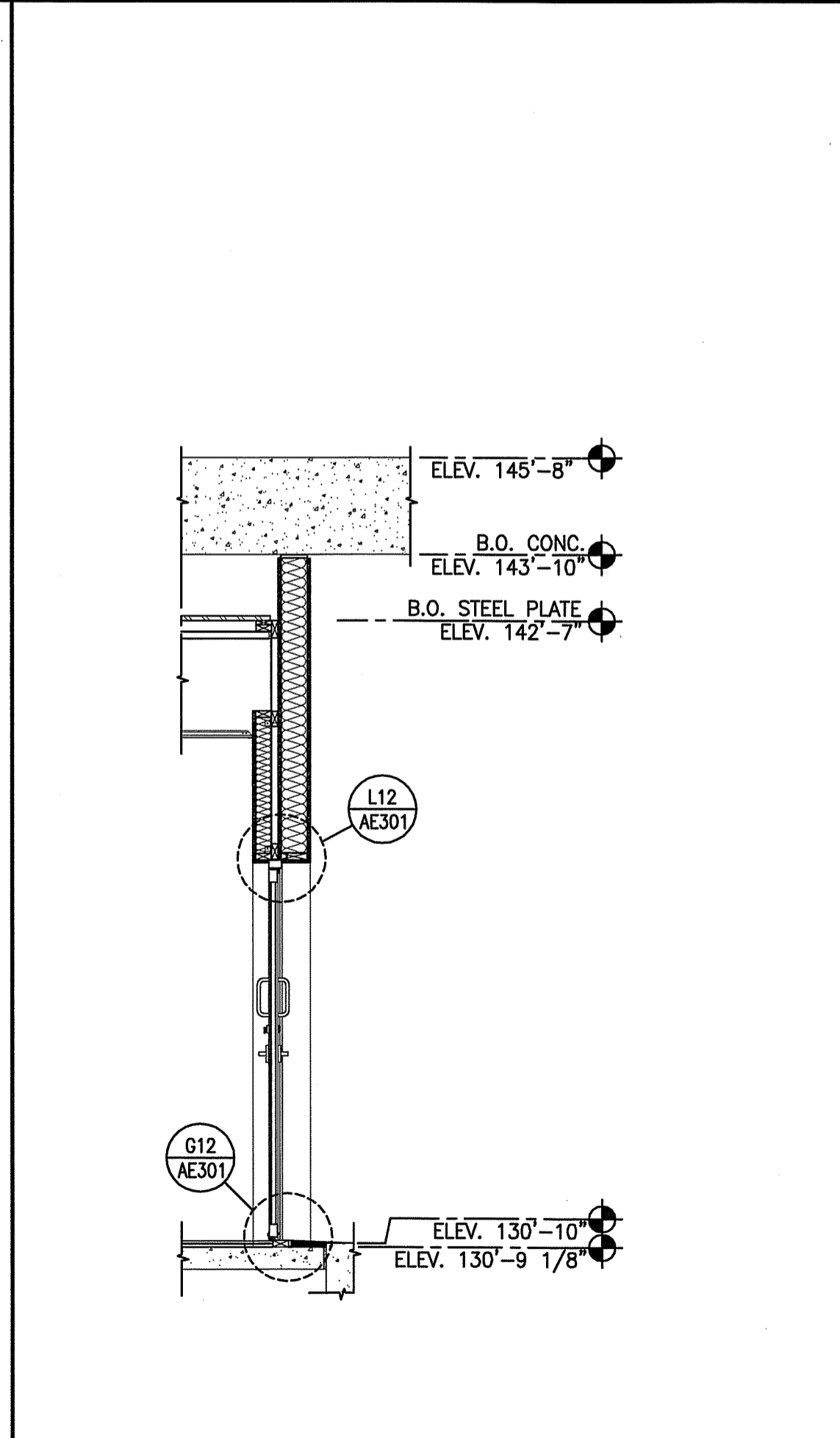
A1 MR ROOM SECTION
3/8"=1'-0" *



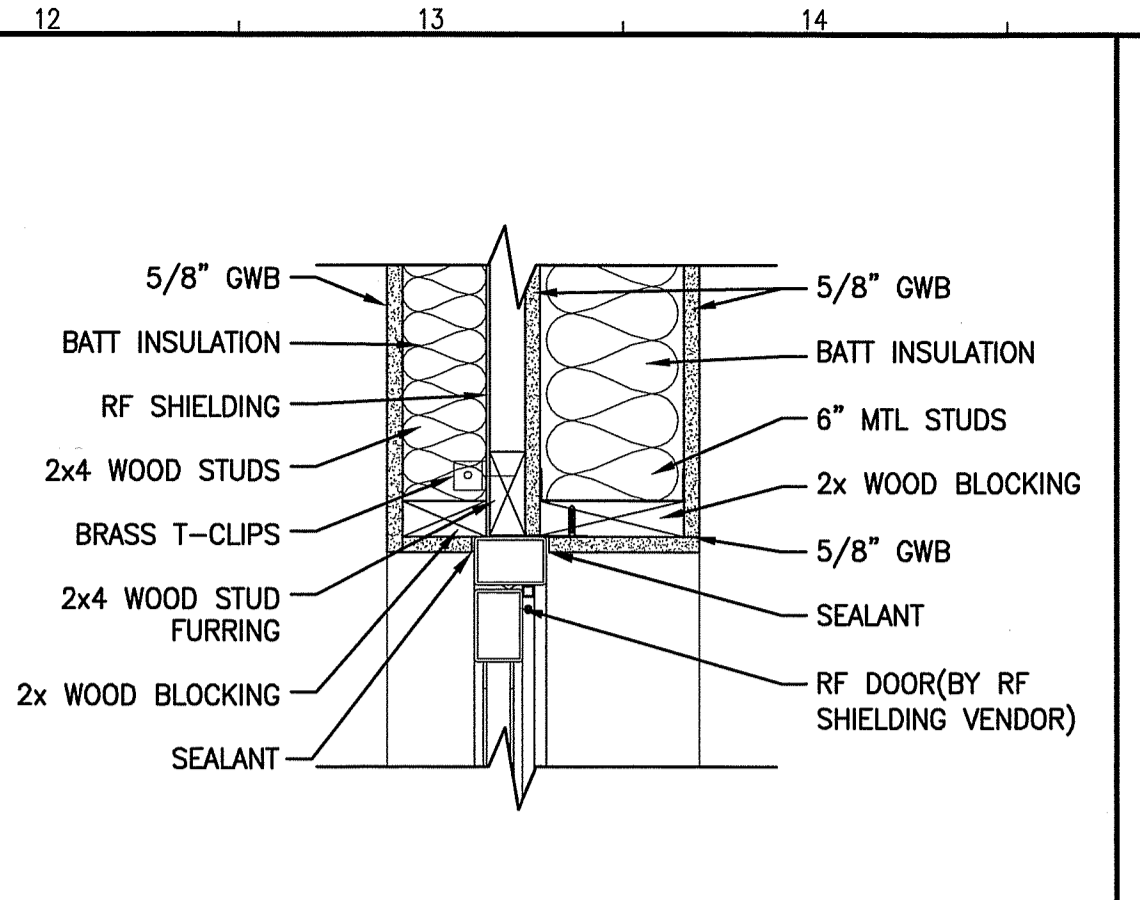
L9 RF WINDOW HEAD DETAIL
1-1/2"=1'-0" *



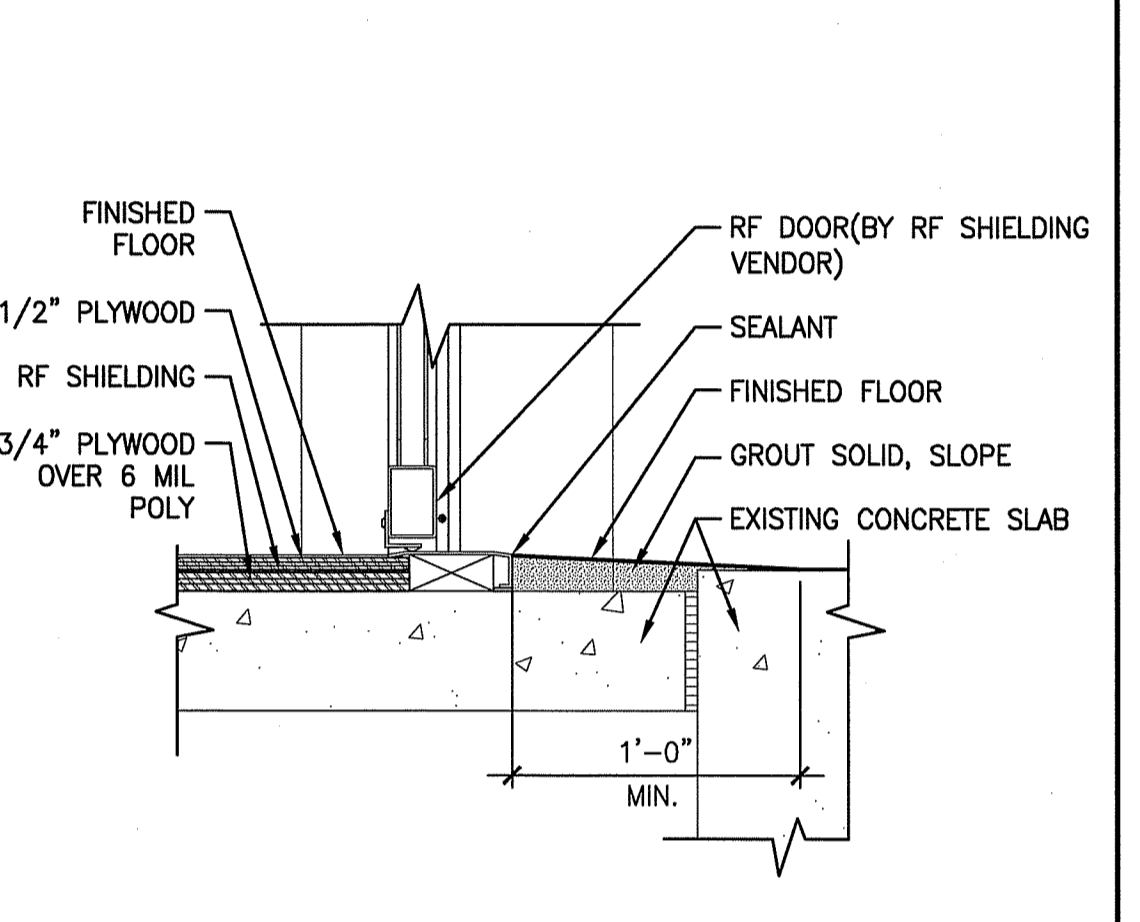
G9 RF WINDOW SILL DETAIL
1-1/2"=1'-0" *



A9 SECTION AT MR ROOM DOOR
3/8"=1'-0" *



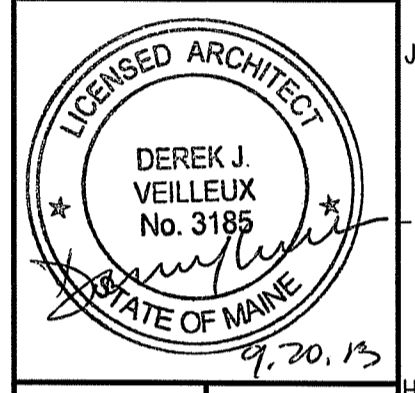
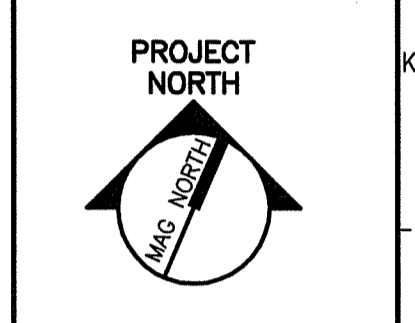
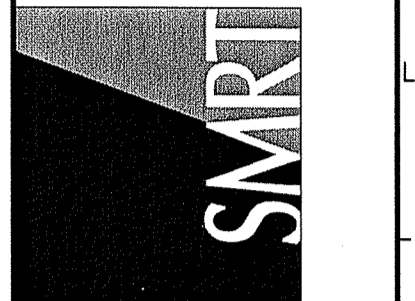
L12 RF DOOR HEAD DETAIL
1-1/2"=1'-0" *



G12 RF DOOR THRESHOLD DETAIL
1-1/2"=1'-0" *

144 Fore Street/P.O. Box 618
Portland, Maine 04104
tel. (207) 772-3846
fax. (207) 772-1070
www.smmrinc.com

ARCHITECTURE
ENGINEERING
PLANNING
INTERIOR DESIGN
COMMISSIONING



MAINE MEDICAL CENTER
MRI #1 AND READING ROOM RENOVATION
PORTLAND, MAINE
ISSUED FOR CONSTRUCTION
9-20-13

| REV | DESCRIPTION | DATE |
|-----|-------------------------|---------|
| 0 | ISSUED FOR CONSTRUCTION | 9-20-13 |

GRAPHIC SCALE:
0" 1"
SCALE: 1/4"=1'-0"
PROJECT MANAGER: DJV
JC/DRAWN BY: MDR
A/E OF RECORD: DJV
CAD FILE: AE301-12118
PROJECT NO: 12118
DATE: 9-20-13

SHEET TITLE:
PARTIAL BUILDING SECTIONS
SHEET No.
AE301
© copyright 2013 SMMR INC.