

Planning Sheet & Equipment Drawings

SHT. NO.	CONTENTS
1	Table of Contents
2	Account Information
3	SCCT Custom Orders
4	Plan & Elevation
5	Parts List
6	Standard Mount Detail
7	Support Structure Detail
8	Ceiling Access Detail
9	Structural Plate Bolt Hole Pattern
10	Structural Plate Instructions
11	STERIS vLED (Single Cardanic) Spring Arm and Lighthead



1. STERIS RECOMMENDS INSTALLATION DURING EARLY PHASE OF CONSTRUCTION.

2. STERIS ASSUMES NO RESPONSIBILITY FOR CHANGES MADE NECESSARY THROUGH FAILURE TO OBSERVE INSTALLATION INSTRUCTIONS. IT IS THE RESPONSIBILITY OF THE CUSTOMER TO INSURE THAT UNITS ARE INSTALLED IN ACCORDANCE WITH STATE AND LOCAL CODE.

THIS SIGNATURE CONFIRMS EQUIPMENT SPECIFICATIONS AND CEILING HEIGHT CONTAINED IN THIS DOCUMENT AND ACKNOWLEDGES THAT ANY CHANGES MAY RESULT IN ADDITIONAL FEES AND DELAYED DELIVERY

TITLE:
SIGNATURE:

DATE:

ALL DIMENSIONS ARE IN INCHES
ALSO REFER TO GENERAL NOTES
APPLICABLE TO EQUIPMENT DRAWINGS

STERIS



STERIS Corporation
Mentor, OH

TITLE SHEET AND TABLE OF CONTENTS

Harmony vLED Single
vLED 1 Arm Light (Single Cardanic)

ACCOUNT NAME
Maine Medical Center

ACCOUNT LOCATION
Portland, ME

FILE NAME
MMC_vLEd Cysto Room

PRINTED DATE
3/29/2012

SHEET 1 of 11

Date: March 29, 2012

H-number _____

Description: Harmony vLED Single

Item no: _____

Room Application: Cysto

Account: Maine Medical Center

Location Portland, ME

Customer Rep: John Romanowski Voice Mail: 978-764-2677

Project Manager: Mike McCormick Voice Mail: 413-575-6086

Customer PO Number: _____

Quantity: 1 Room Numbers: OR 18

STERIS Order No: _____ Order Item No: _____

Special Instructions:

ALL DIMENSIONS ARE IN INCHES
ALSO REFER TO GENERAL NOTES
APPLICABLE TO EQUIPMENT DRAWINGS

STERIS



STERIS Corporation
Mentor, OH

**ACCOUNT
INFORMATION**

Harmony vLED Single
vLED 1 Arm Light (Single Cardanic)

ACCOUNT NAME
Maine Medical Center

ACCOUNT LOCATION
Portland, ME

FILE NAME
MMC_vLEd Cysto Room

PRINTED DATE
3/29/2012

SHEET 2 of 11

Additional Terms for SCCT Custom Orders

Custom orders for integrated operating rooms, lights and booms, and other customized equipment for surgical and critical care shall be subject to STERIS's standard Terms and Conditions of Sale and Installation as well as the following additional terms and conditions:

Payment

A non-refundable deposit of thirty percent (30%) of the total purchase price of any order that includes custom equipment must be paid to STERIS within ten days of the date that STERIS receives Customer's purchase order. Payment of the remainder of the purchase price must be made within thirty days of STERIS's invoice date.

Cancellation

If a customer chooses to cancel a purchase order for a custom order, the Customer's deposit will be forfeited.

Change Orders

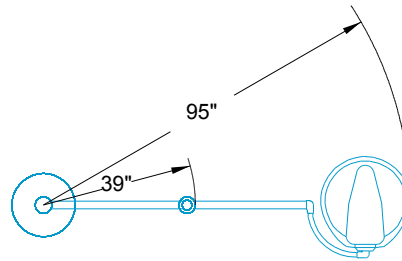
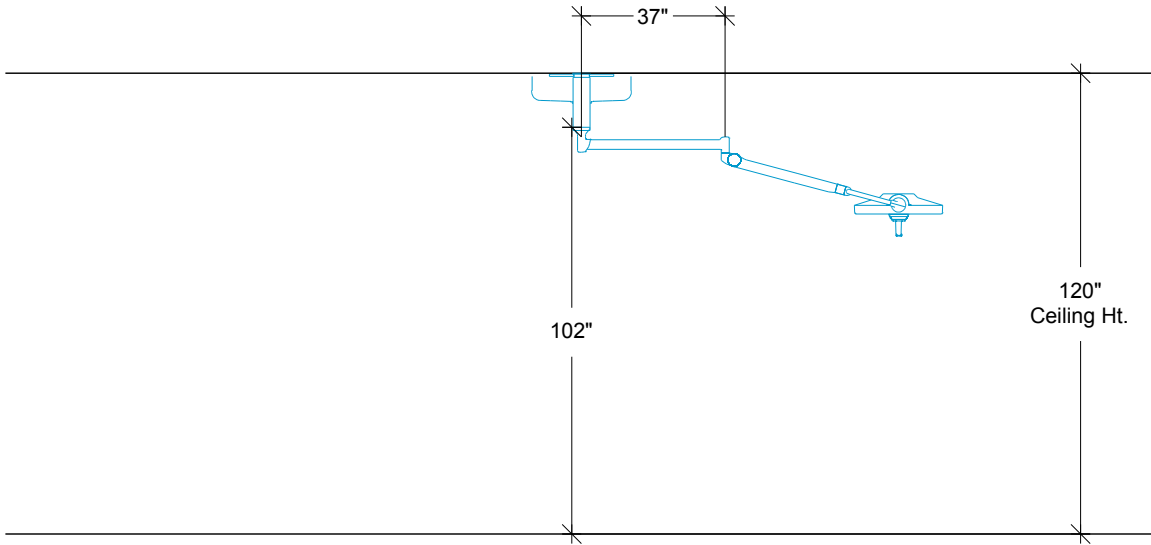
Customer change orders shall be subject to a change order fee of \$2500.00 plus any price difference between the original and revised order. Customers will be invoiced for the change order fee at the time that the requested change is implemented. All change orders must be accepted and approved by STERIS. Change orders may result in delays in shipping and/or installation.

The \$2,500.00 change order fee shall also apply if a STERIS installation team arrives at a Customer facility for a scheduled installation but is unable to complete the installation because of the Customer's failure to prepare the site according to previously agreed upon specifications.

Return of Goods

Customer shall not be entitled to any refund or credit for custom-made parts, used parts or parts that are missing labels or packaging. Goods may not be returned without prior approval from STERIS. Customer is responsible for all freight costs associated with the return of goods after shipment and may be required to pay a restocking fee.

<p style="font-size: 8pt; margin: 0;">ALL DIMENSIONS ARE IN INCHES ALSO REFER TO GENERAL NOTES APPLICABLE TO EQUIPMENT DRAWINGS</p>	<h2 style="margin: 0;">CUSTOM ORDER TERMS</h2> <p style="margin: 5px 0;">Harmony vLED Single vLED 1 Arm Light (Single Cardanic)</p>	<table border="1" style="width: 100%; border-collapse: collapse;"> <tr> <td style="font-size: 8pt; padding: 2px;">INITIALS:</td> <td style="font-size: 8pt; padding: 2px;">DATE:</td> </tr> <tr> <td colspan="2" style="font-size: 8pt; padding: 2px;">ACCOUNT NAME Maine Medical Center</td> </tr> <tr> <td colspan="2" style="font-size: 8pt; padding: 2px;">ACCOUNT LOCATION Portland, ME</td> </tr> <tr> <td colspan="2" style="font-size: 8pt; padding: 2px;">FILE NAME MMC_vLEd Cysto Room</td> </tr> <tr> <td style="font-size: 8pt; padding: 2px;">PRINTED DATE 3/29/2012</td> <td style="font-size: 8pt; padding: 2px;">SHEET 3 of 11</td> </tr> </table>	INITIALS:	DATE:	ACCOUNT NAME Maine Medical Center		ACCOUNT LOCATION Portland, ME		FILE NAME MMC_vLEd Cysto Room		PRINTED DATE 3/29/2012	SHEET 3 of 11
INITIALS:	DATE:											
ACCOUNT NAME Maine Medical Center												
ACCOUNT LOCATION Portland, ME												
FILE NAME MMC_vLEd Cysto Room												
PRINTED DATE 3/29/2012	SHEET 3 of 11											
<p style="font-size: 8pt; margin-top: 5px;">STERIS Corporation Mentor, OH</p>												



Arm Description	Load (lbs)	Moment (ft-lbs)
The structural load and moment force for this configuration is:	120	279

ALL DIMENSIONS ARE IN INCHES
ALSO REFER TO GENERAL NOTES
APPLICABLE TO EQUIPMENT DRAWINGS

STERIS



STERIS Corporation
Mentor, OH

ELEVATION AND PLAN OVERVIEWS

Harmony vLED Single
vLED 1 Arm Light (Single Cardanic)

ACCOUNT NAME
Maine Medical Center

ACCOUNT LOCATION
Portland, ME

FILE NAME
MMC_vLEd Cysto Room

PRINTED DATE
3/29/2012

SHEET 4 of 11

Description	Part #	Type	Qty / Unit	Total Qty
Standard Ceiling Plate Assembly w/Canopy	LV00-001	Acc	1	1
Ceiling Plate Install Package (Includes All Threads Washers and Nuts)	LB39	Acc	1	1
Harmony vLED Non-Camera Ready Lgt-Single Cardanic	LK00-019	Acc	1	1
Single Spindle and Ext Arm for One Lighthead; non-camera	LV00-021	Acc	1	1
Suspension Tube-14" (350mm)	LV00-007	Acc	1	1

ALL DIMENSIONS ARE IN INCHES
ALSO REFER TO GENERAL NOTES
APPLICABLE TO EQUIPMENT DRAWINGS

STERIS



STERIS Corporation
Mentor, OH

PARTS LIST

Harmony vLED Single
vLED 1 Arm Light (Single Cardanic)

ACCOUNT NAME
Maine Medical Center

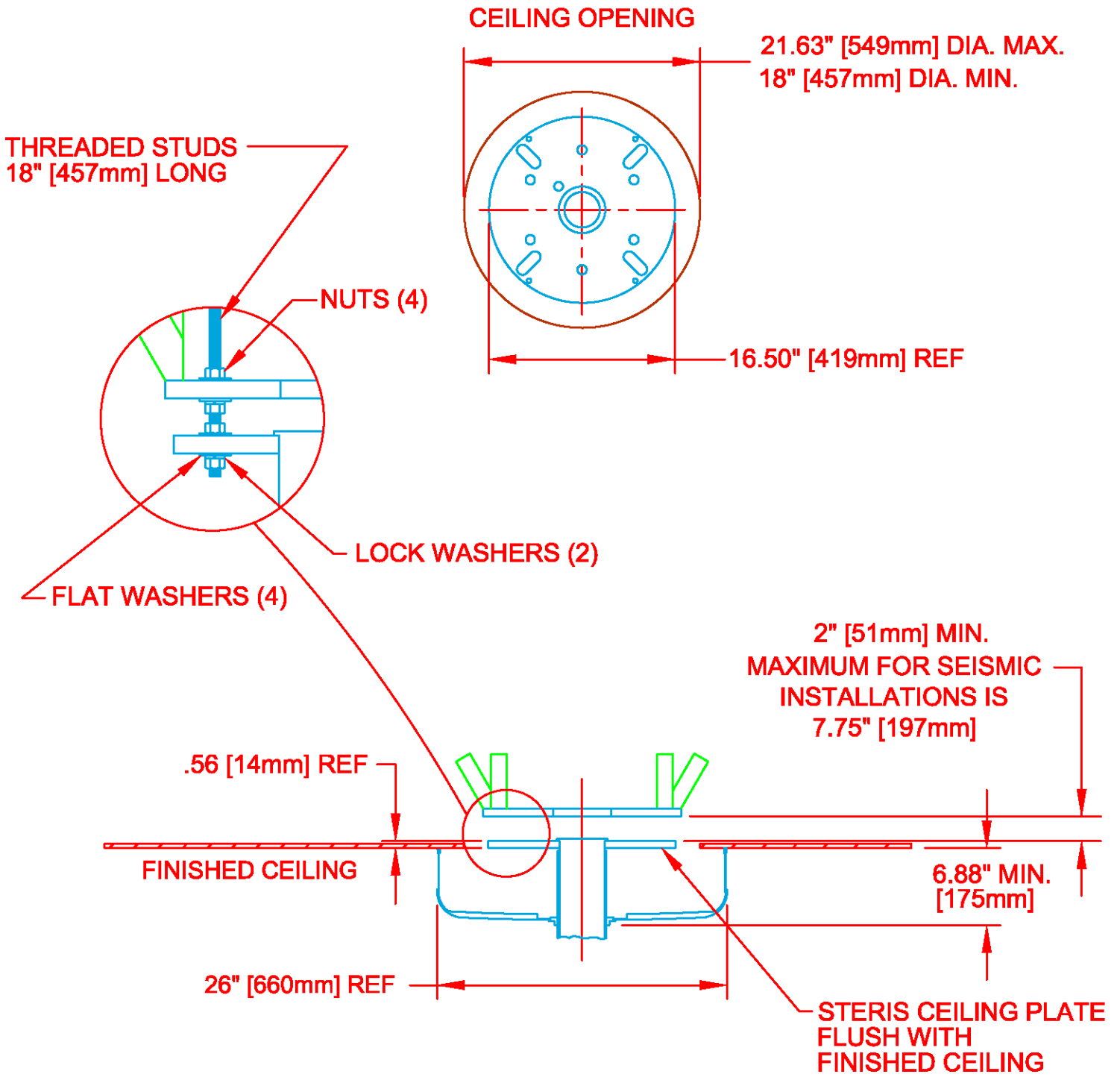
ACCOUNT LOCATION
Portland, ME

FILE NAME
MMC_vLEd Cysto Room

PRINTED DATE
3/29/2012

SHEET 5 of 11

CAD DWG DATE 8-23-09 DRAWN BY GAC CHECKED BY ECA 114308 REV. DATE 2-2-12 REV. NO. 2 DWG. NO. 129378-569



1. ALLOW EXTENSION BOLTS OR FULLY THREADED STUDS TO EXTEND 1.25"±.125" (32MM±3.2mm) THROUGH BOTTOM OF STERIS CEILING PLATE. EXTENSION BOLTS OR FULLY THREADED STUDS TO BE CLASS 2B THREAD SAE J429/ASTM A449 GRADE 5 OR ASTM A193 GRADE B7 MATERIAL OR BETTER. CORRESPONDING GRADE NUTS TO BE USED. DO NOT USE TOGGLE BOLTS.

ALL DIMENSIONS ARE IN INCHES
ALSO REFER TO GENERAL NOTES
APPLICABLE TO EQUIPMENT DRAWINGS

STERIS



STERIS Corporation
Mentor, OH

**STANDARD MOUNT
DETAIL**

Harmony vLED Single
vLED 1 Arm Light (Single Cardanic)

ACCOUNT NAME
Maine Medical Center

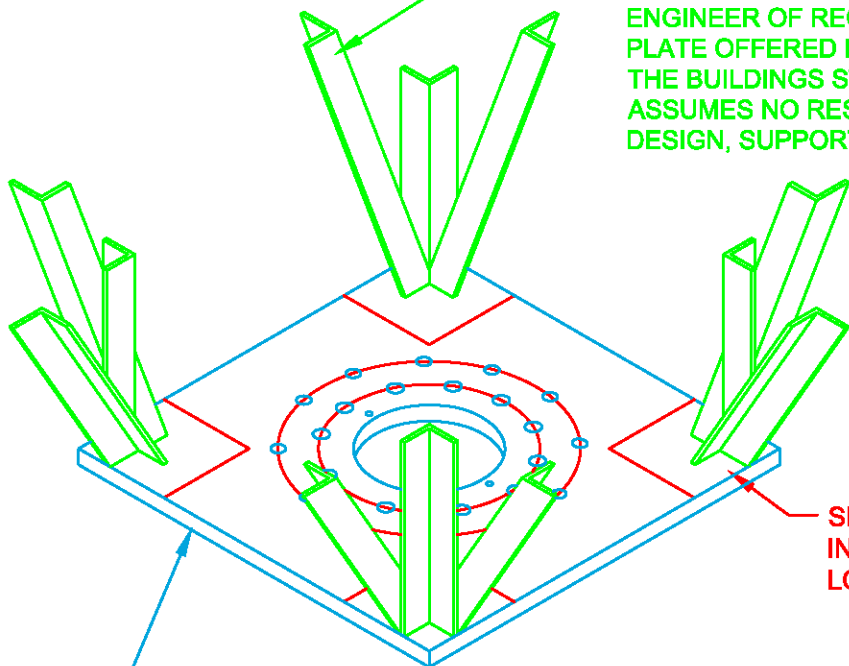
ACCOUNT LOCATION
Portland, ME

FILE NAME
MMC_vLEd Cysto Room

PRINTED DATE
3/29/2012

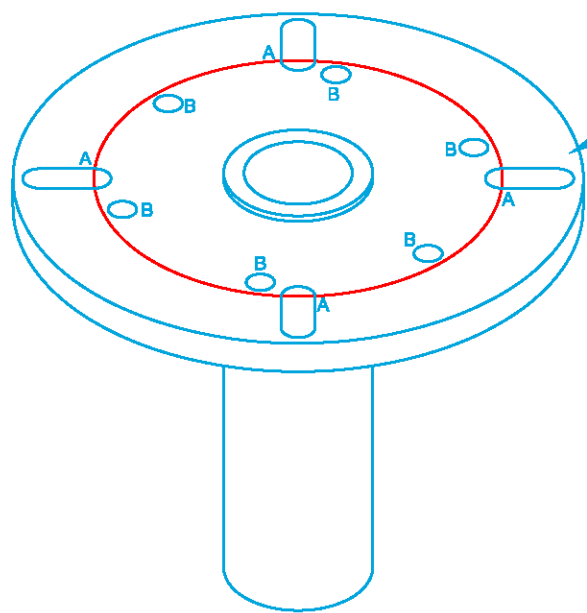
SHEET 6 of 11

STRUCTURAL FRAMEWORK & BRACING (PROVIDED BY OTHERS). THE CUSTOMER ASSUMES ALL RESPONSIBILITY FOR THE STRUCTURAL DESIGN, SUPPORT BRACING, STRUCTURAL SUPPORT AND STRUCTURAL PLATE INSTALLATION. CONSULT WITH THE ENGINEER OF RECORD (EOR) TO ENSURE THAT THE STRUCTURAL PLATE OFFERED BY STERIS IS SEAMLESSLY INCORPORATED INTO THE BUILDINGS STRUCTURAL DESIGN & SUPPORT BRACING. STERIS ASSUMES NO RESPONSIBILITY FOR THE CUSTOMER'S STRUCTURAL DESIGN, SUPPORT BRACING & STRUCTURAL SUPPORT INSTALLATION.



SEE STRUCTURAL PLATE INSTRUCTIONS TO DETERMINE LOCATION OF KICKERS

STRUCTURAL MOUNTING PLATE MAY BE PROVIDED BY STERIS. QUOTED SEPARATELY, ADDITIONAL CHARGE APPLIES. IT IS THE EOR'S RESPONSIBILITY TO ENSURE THAT THE STRUCTURAL PLATE IS APPROPRIATELY INSTALLED AND MEETS ALL ABOVE CEILING SUPPORT REQUIREMENTS.



STERIS CEILING PLATE (PROVIDED BY STERIS)

1. THE CEILING STRUCTURE MUST BE LEVEL.
2. WHEN THE SPECIFIED LOADS ARE APPLIED, THE CEILING STRUCTURE MUST PREVENT THE STERIS CEILING PLATE FROM TIPPING MORE THAN 0.2°.
3. STERIS RECOMMENDS A CEILING STRUCTURE THAT CAN ACCOMMODATE THE MAXIMUM LOAD CONFIGURATION WHICH IS SFPM, LIGHT, LIGHT, SFPM WITH A LOAD OF 362LBS (164KG) AND A MOMENT OF 1265FT-LBS (1715NM) (FOR MORE SPECIFIC LOADING INFORMATION SEE PAGE 2)

ALL DIMENSIONS ARE IN INCHES
ALSO REFER TO GENERAL NOTES
APPLICABLE TO EQUIPMENT DRAWINGS



SUPPORT STRUCTURE DETAIL

Harmony vLED Single
vLED 1 Arm Light (Single Cardanic)

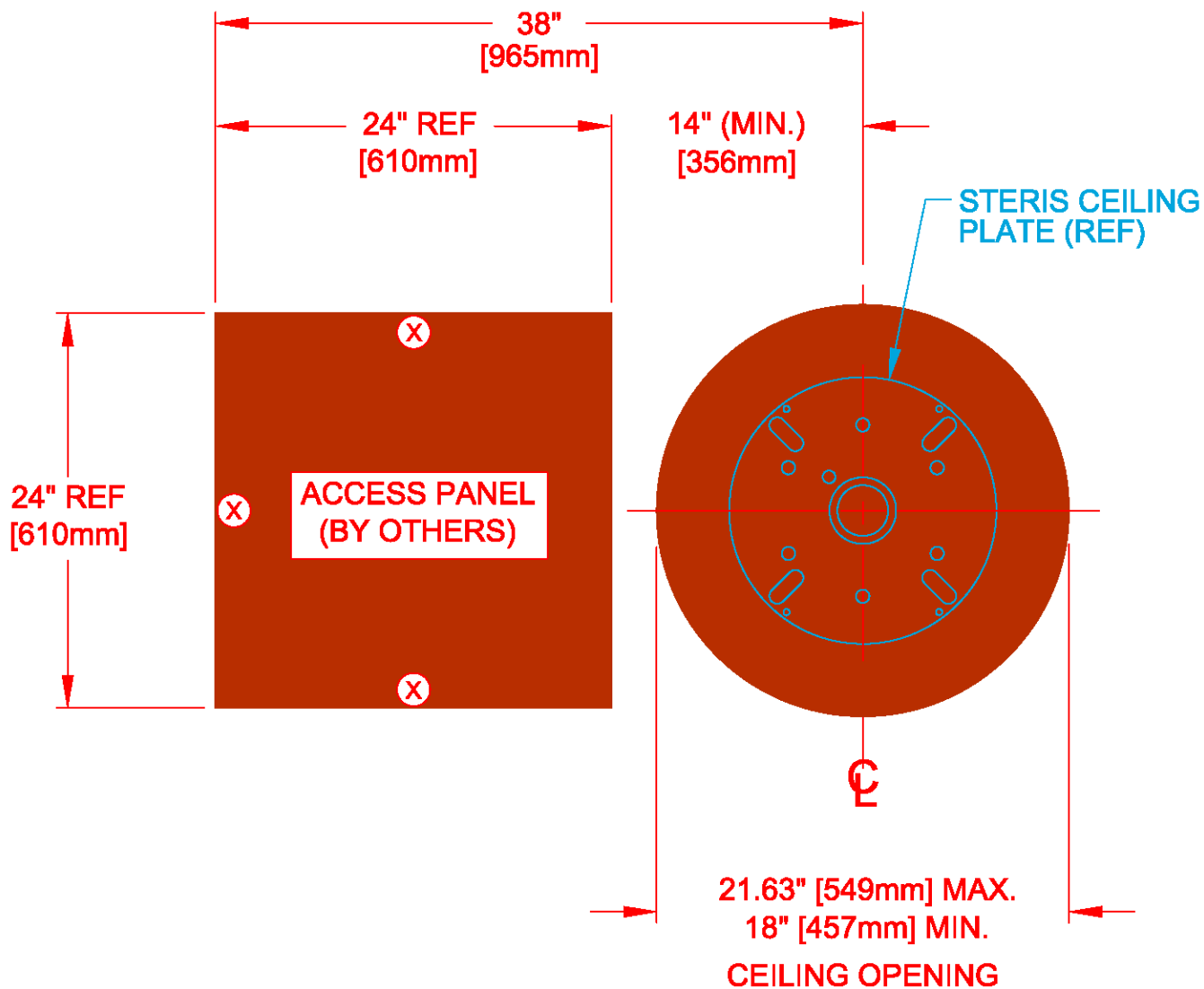
ACCOUNT NAME
Maine Medical Center

ACCOUNT LOCATION
Portland, ME

FILE NAME
MMC_vLEd Cysto Room

PRINTED DATE
3/29/2012

SHEET 7 of 11



NOTES:

1. (X) RECOMMENDED HINGE LOCATIONS.
2. WHILE REQUIRED FOR SYSTEMS THAT HAVE MONITORS, IT IS HIGHLY RECOMMENDED THAT A 24" SQUARE HINGED SERVICE ACCESS PANEL BE PROVIDED IN THE CEILING WITHIN 38" OF THE SPINDLE FOR WIRING AND SERVICE ACCESSIBILITY.

ALL DIMENSIONS ARE IN INCHES
ALSO REFER TO GENERAL NOTES
APPLICABLE TO EQUIPMENT DRAWINGS

STERIS®



STERIS Corporation
Mentor, OH

**CEILING ACCESS
DETAIL**

Harmony vLED Single
vLED 1 Arm Light (Single Cardanic)

ACCOUNT NAME
Maine Medical Center

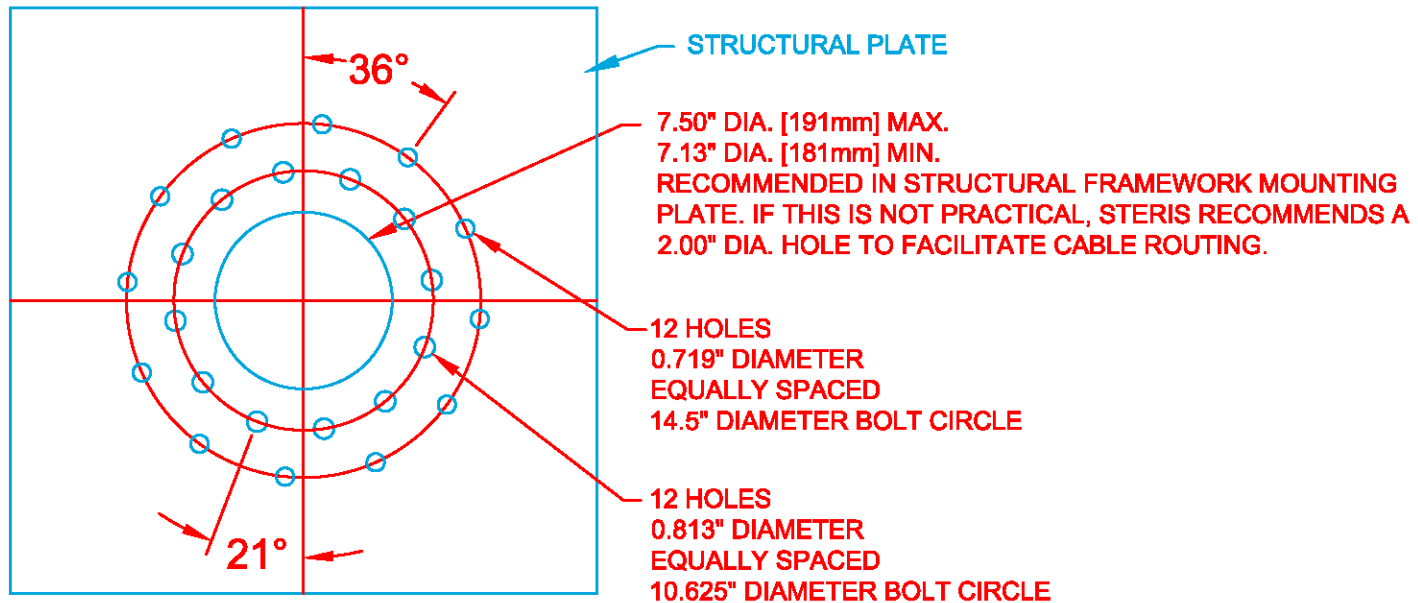
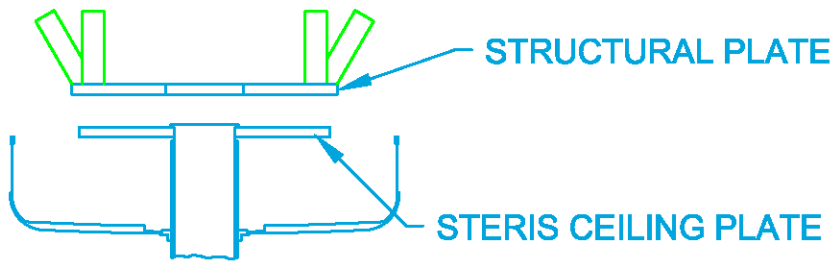
ACCOUNT LOCATION
Portland, ME

FILE NAME
MMC_vLEd Cysto Room

PRINTED DATE
3/29/2012

SHEET 8 of 11

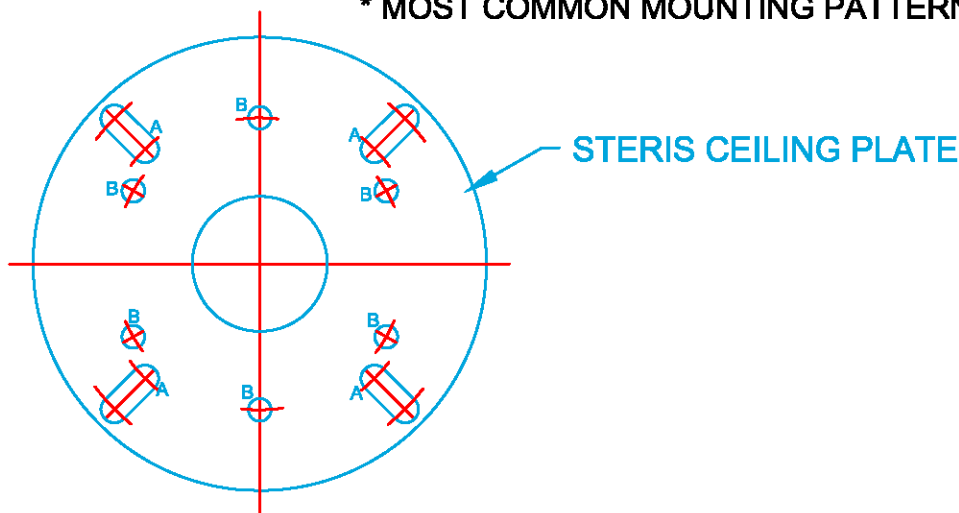
CAD DWG DATE 08-17-11 DRAWN BY G.J. CHECKED BY G.J. ECA 114119 REV. DATE 8-17-11 REV. NO. 0 DWG. NO. 129378-685



WHEN MOUNTING TO EXISTING STRUCTURES THE FOLLOWING BOLT PATTERNS CAN BE USED

MOUNTING HOLE CHART				
HOLES	BOLT DIA.	QTY.	BOLT CIRCLE DIA.	HOLE TO HOLE
A	*5/8"	4	11.813" [300mm]	8.38" [213mm]
	OR 7/8"		THRU 14.938" [379mm]	THRU 10.56" [268mm]
B	5/8"	6	10.625" [270mm]	5.31" [135mm]

* MOST COMMON MOUNTING PATTERN



ALL DIMENSIONS ARE IN INCHES
 ALSO REFER TO GENERAL NOTES
 APPLICABLE TO EQUIPMENT DRAWINGS

STERIS



STERIS Corporation
 Mentor, OH

STRUCTURAL PLATE BOLT HOLE PATTERN

Harmony vLED Single
 vLED 1 Arm Light (Single Cardanic)

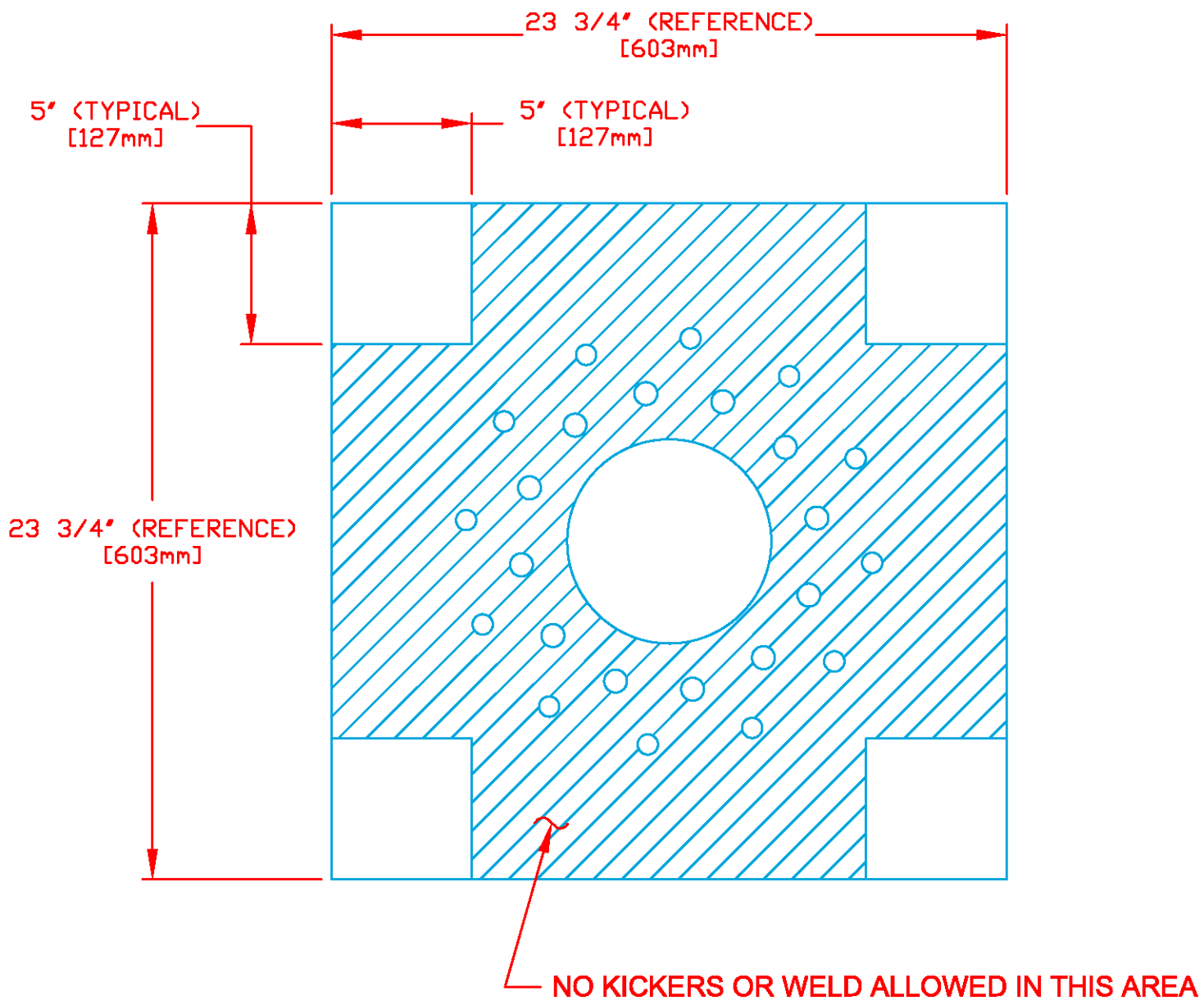
ACCOUNT NAME
 Maine Medical Center

ACCOUNT LOCATION
 Portland, ME

FILE NAME
 MMC_vLEd Cysto Room

PRINTED DATE
 3/29/2012

SHEET 9 of 11



NOTES:

1. ALL WELD AND KICKERS MUST BE CONTAINED WITHIN THE 5" X 5" AREAS LOCATED AT EACH CORNER OF THE PLATE.
2. STRUCTURAL PLATE MATERIAL: 1" A36 STEEL (PROVIDED BY STERIS). PLATE WEIGHS APPROXIMATELY 150 POUNDS.

ALL DIMENSIONS ARE IN INCHES
ALSO REFER TO GENERAL NOTES
APPLICABLE TO EQUIPMENT DRAWINGS



**STRUCTURAL PLATE
INSTRUCTIONS**

Harmony vLED Single
vLED 1 Arm Light (Single Cardanic)

ACCOUNT NAME
Maine Medical Center

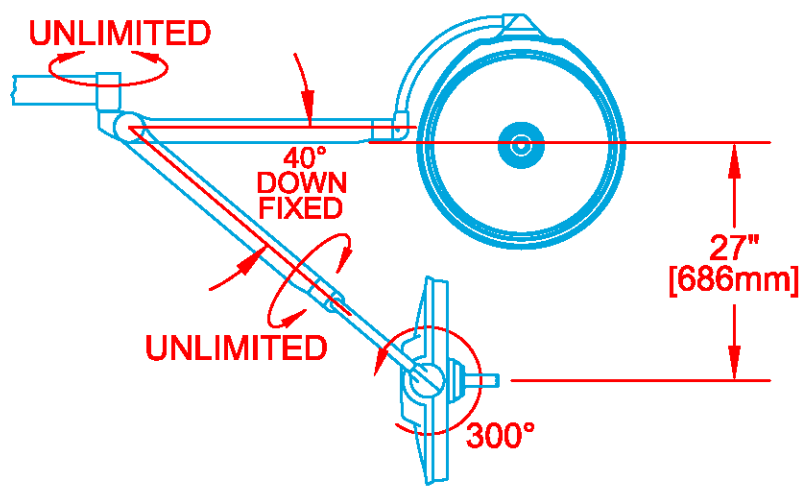
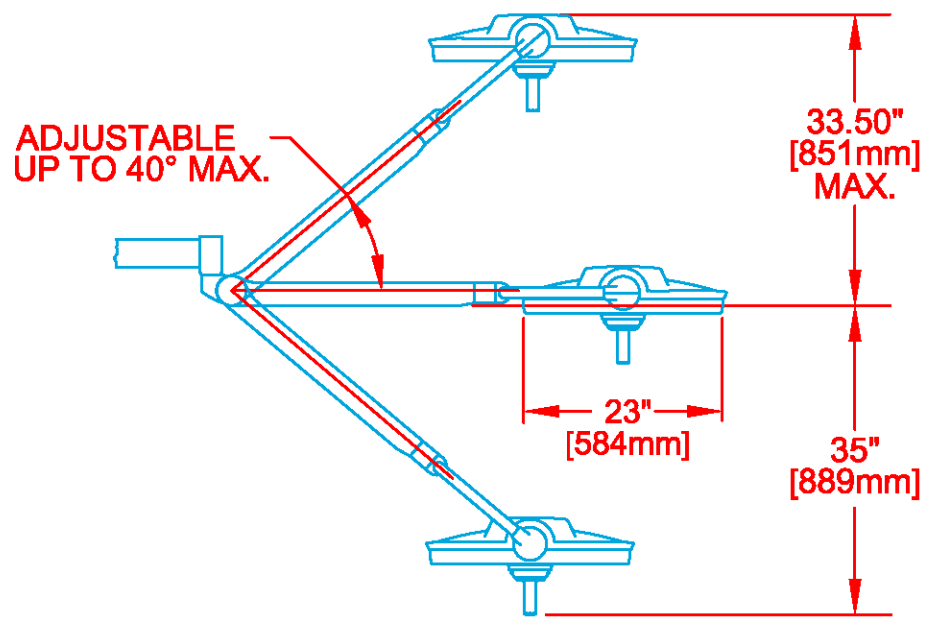
ACCOUNT LOCATION
Portland, ME

FILE NAME
MMC_vLEd Cysto Room

PRINTED DATE
3/29/2012

SHEET 10 of 11

CAD DWG DATE 02-18-10 DRAWN BY SD CHECKED BY SD ECA 104164 REV. DATE 02-18-10 REV. NO. 0 DWG. NO. 136824-197



ALL DIMENSIONS ARE IN INCHES
ALSO REFER TO GENERAL NOTES
APPLICABLE TO EQUIPMENT DRAWINGS



**STERIS vLED (SINGLE CARDANIC)
SPRING ARM AND LIGHTHEAD**

Harmony vLED Single
vLED 1 Arm Light (Single Cardanic)

ACCOUNT NAME
Maine Medical Center

ACCOUNT LOCATION
Portland, ME

FILE NAME
MMC_vLEd Cysto Room

PRINTED DATE
3/29/2012

SHEET 11 of 11