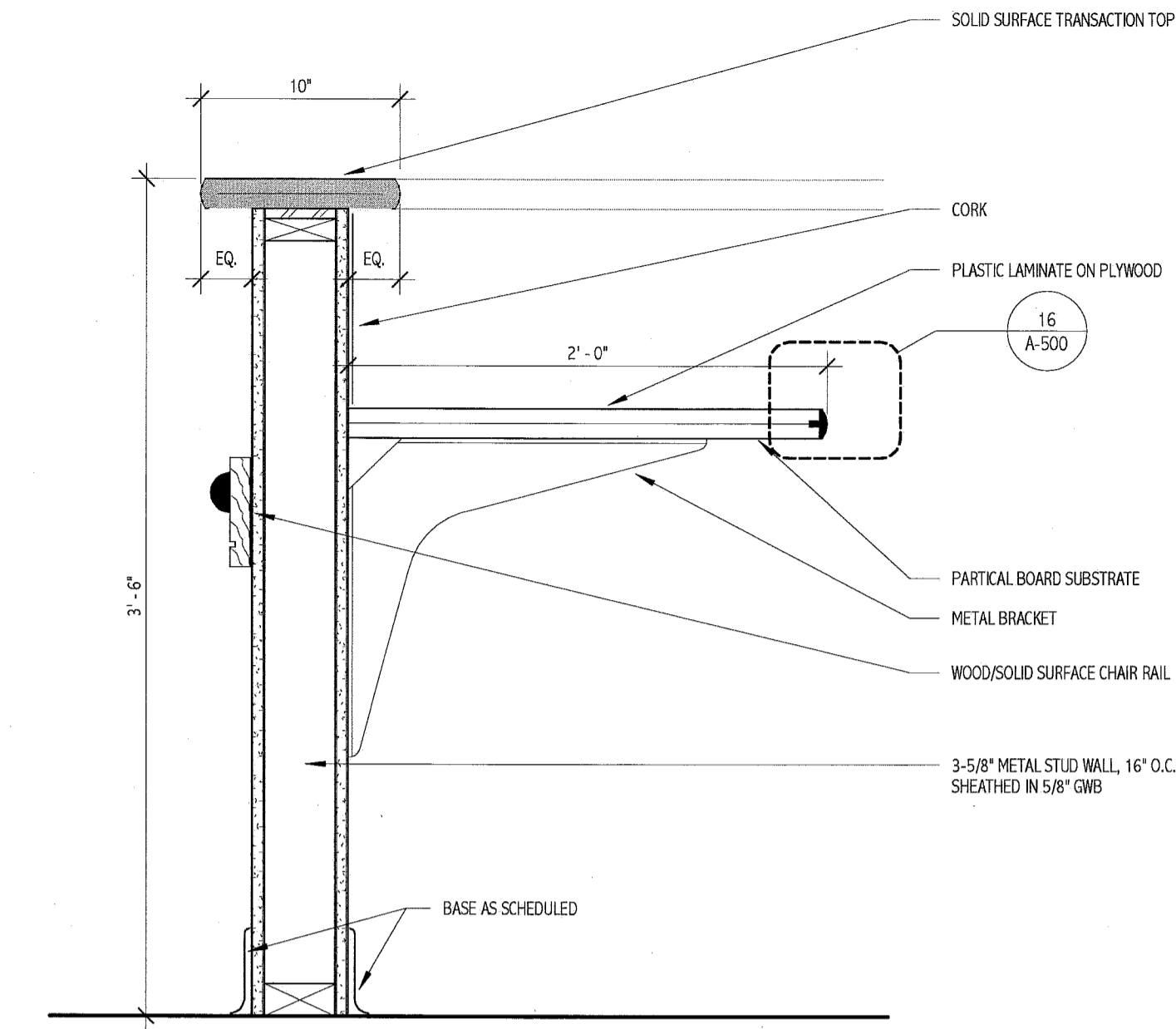
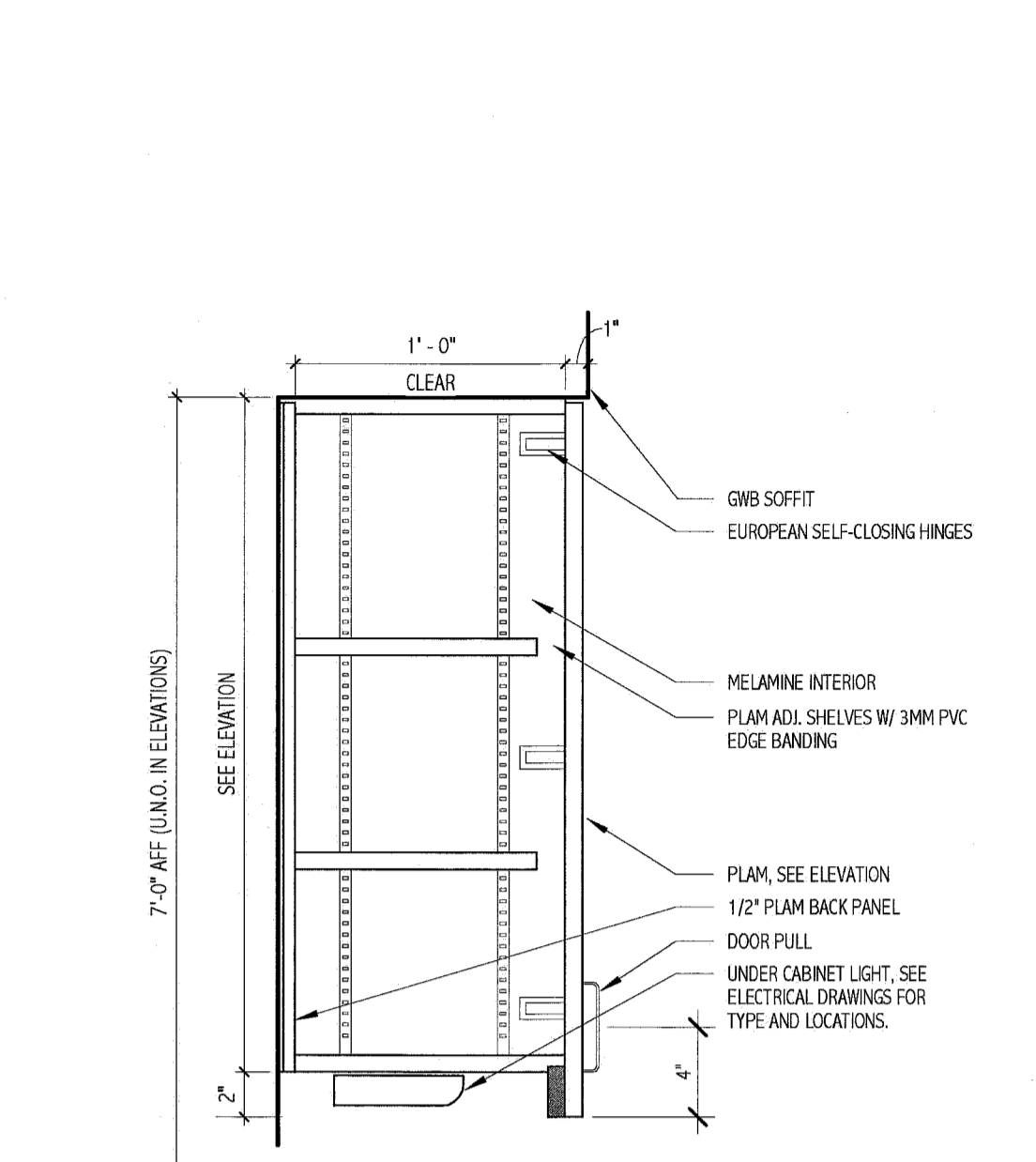


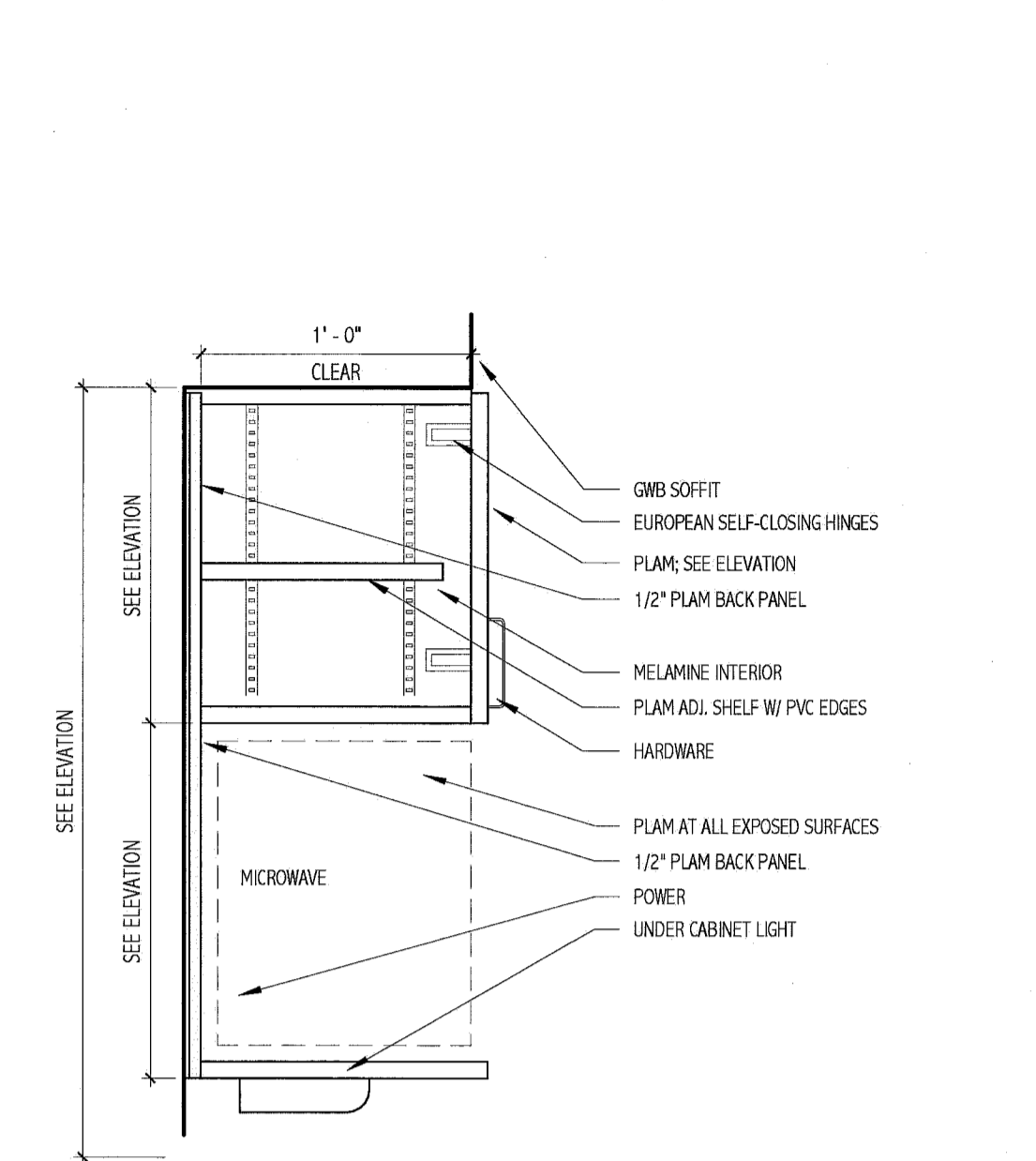
9 LOCKER AND CUBBIE BASE DETAIL  
3/4" = 1'-0"



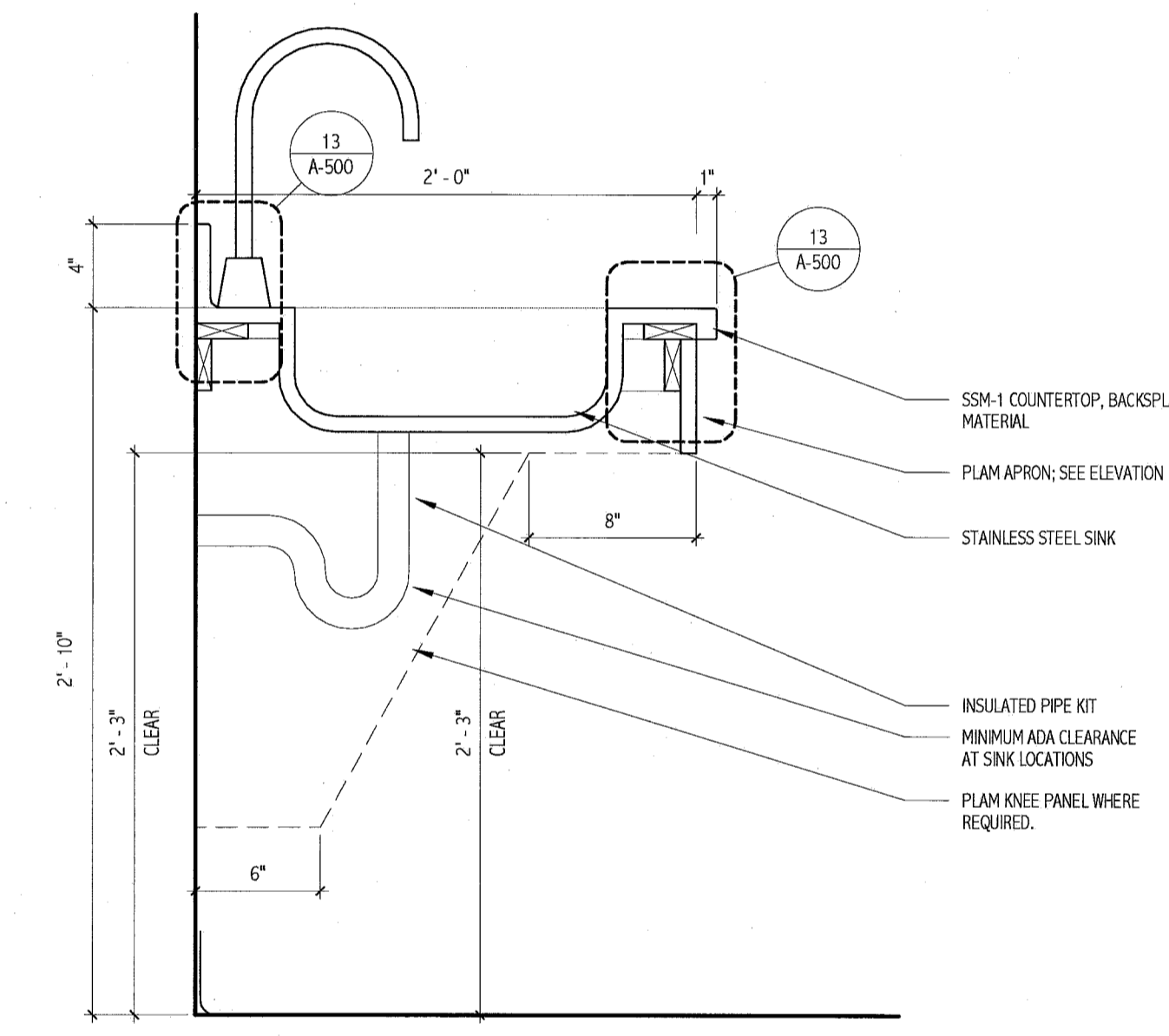
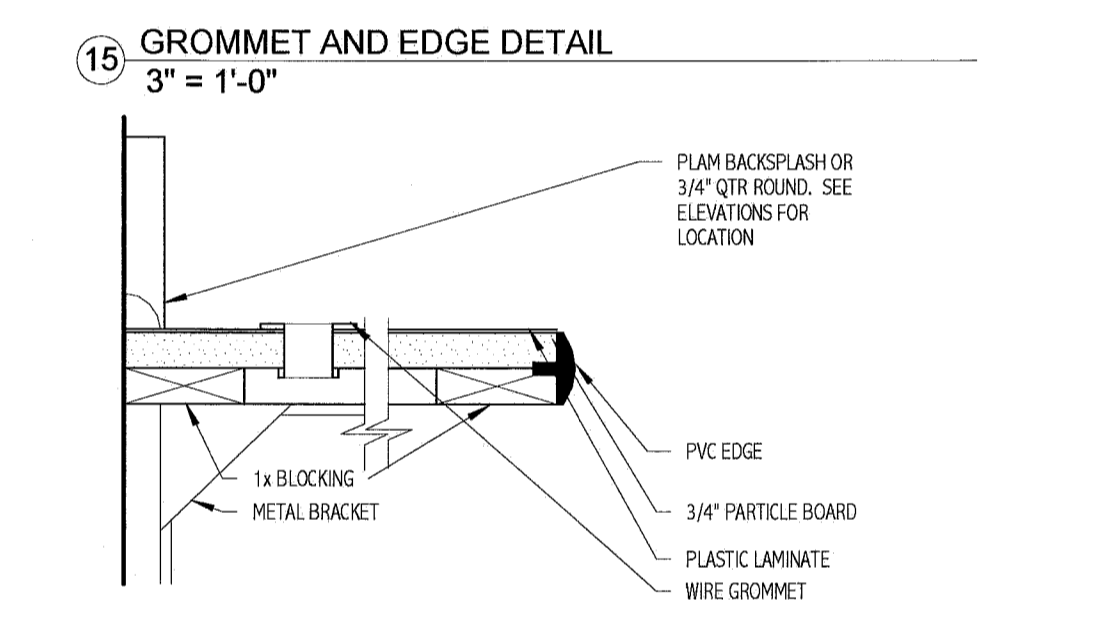
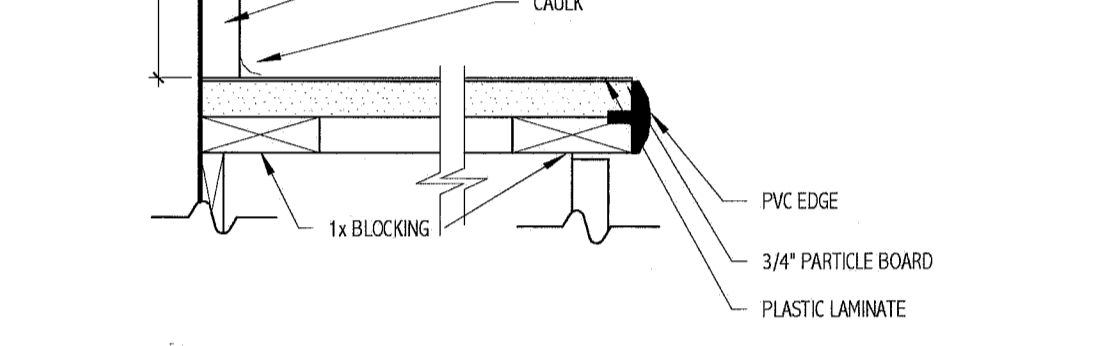
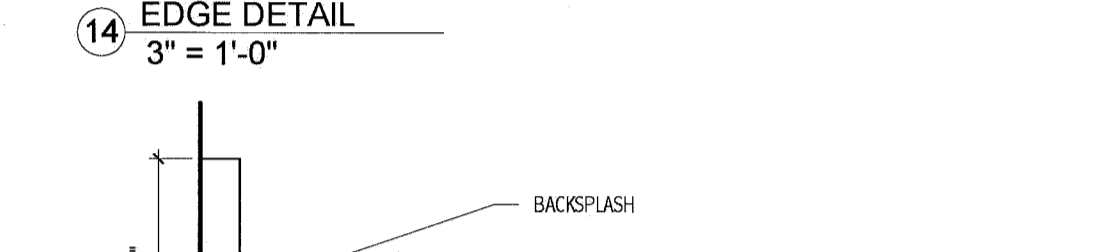
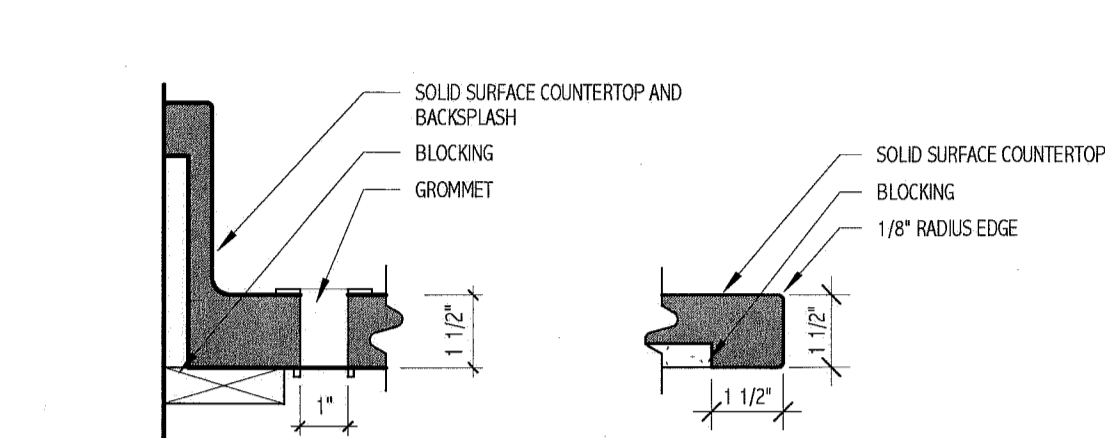
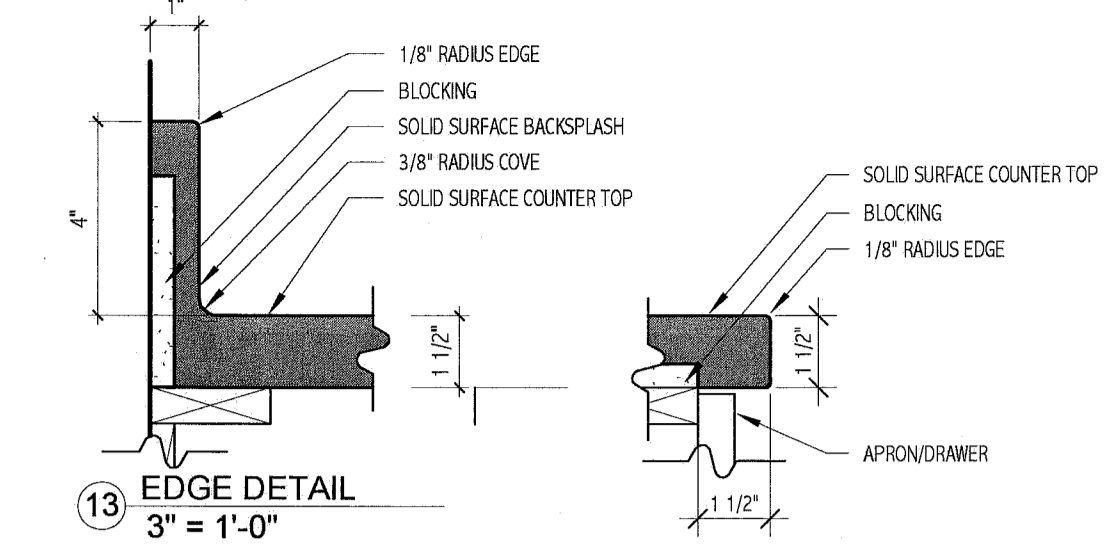
10 CASEWORK DETAIL  
1 1/2" = 1'-0"



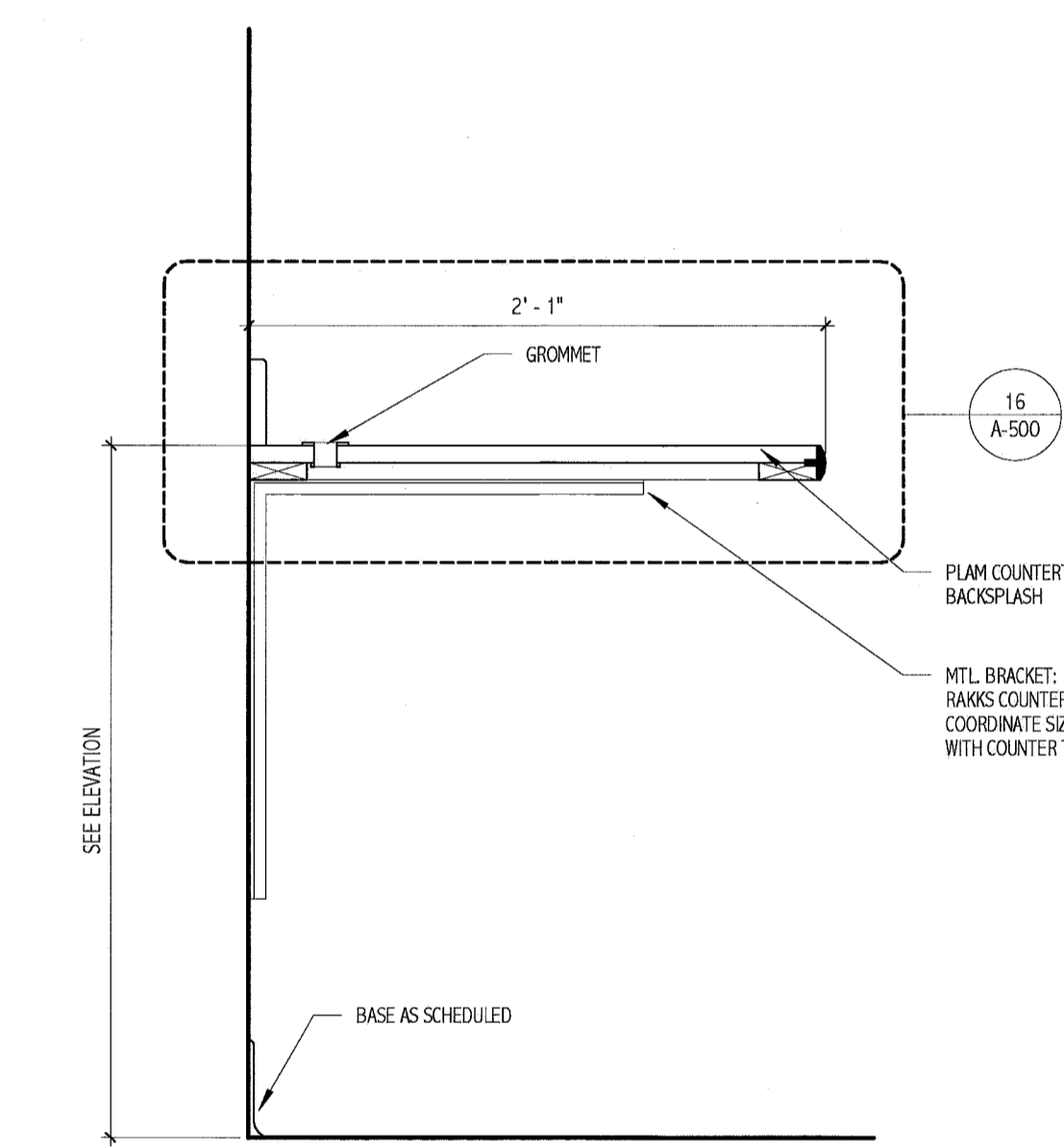
11 CASEWORK DETAIL  
1 1/2" = 1'-0"



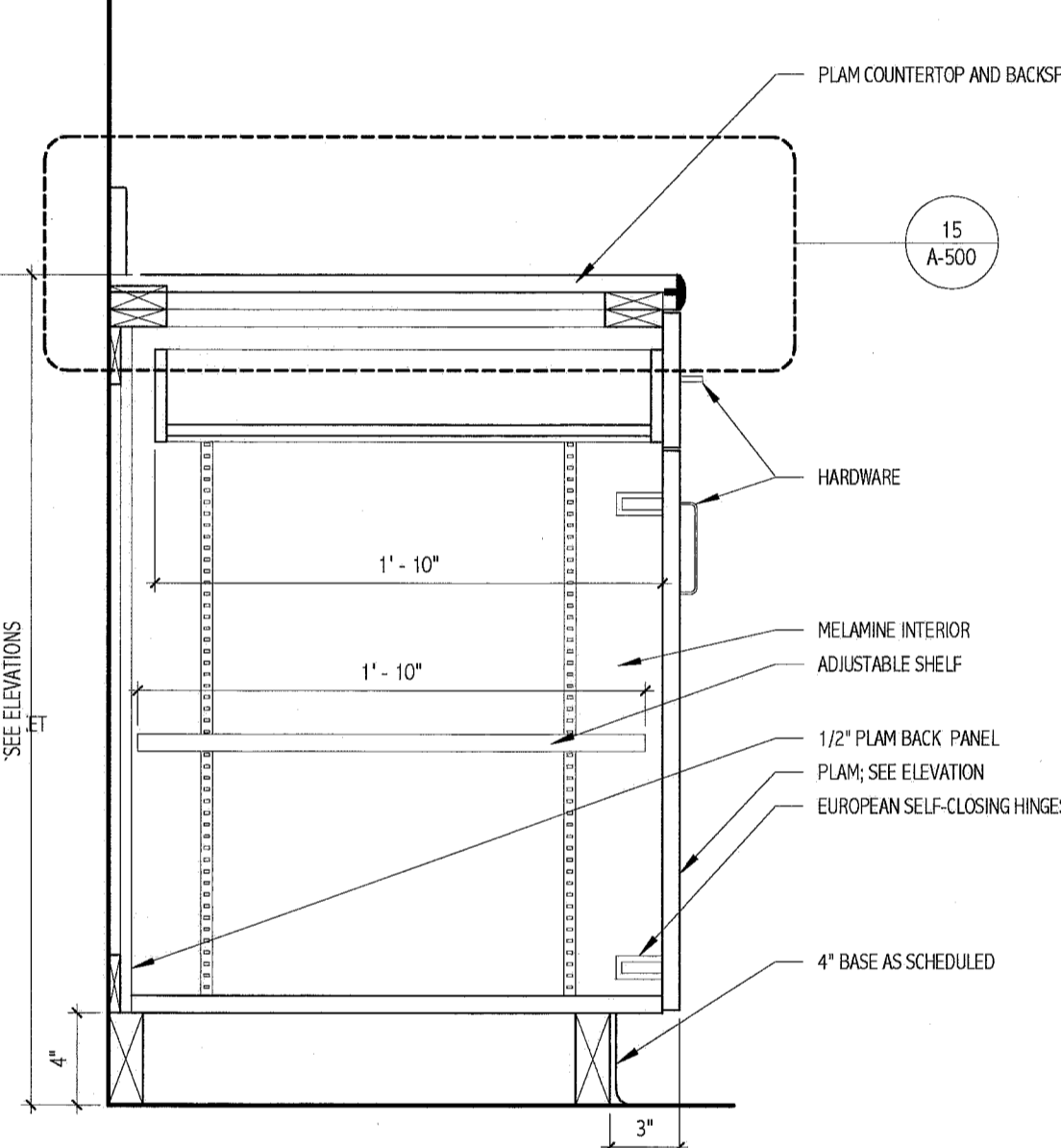
12 CASEWORK DETAIL  
1 1/2" = 1'-0"



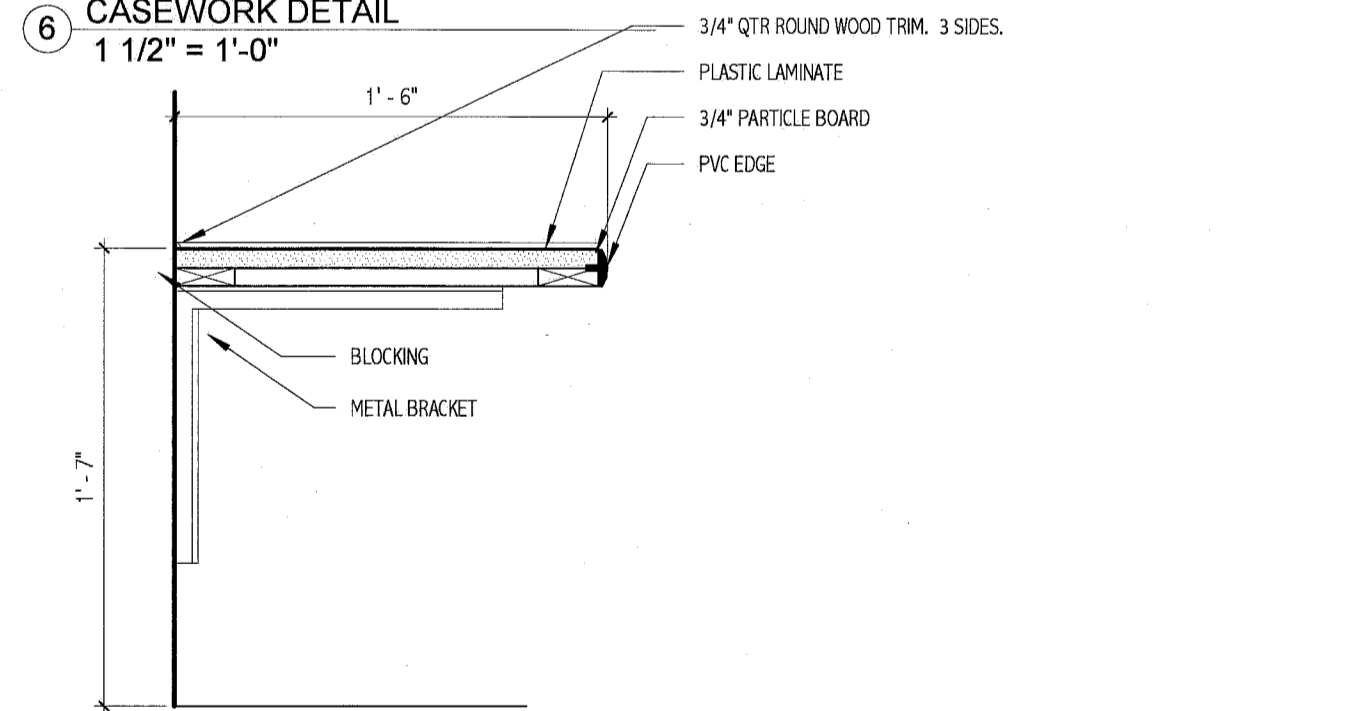
6 CASEWORK DETAIL  
1 1/2" = 1'-0"



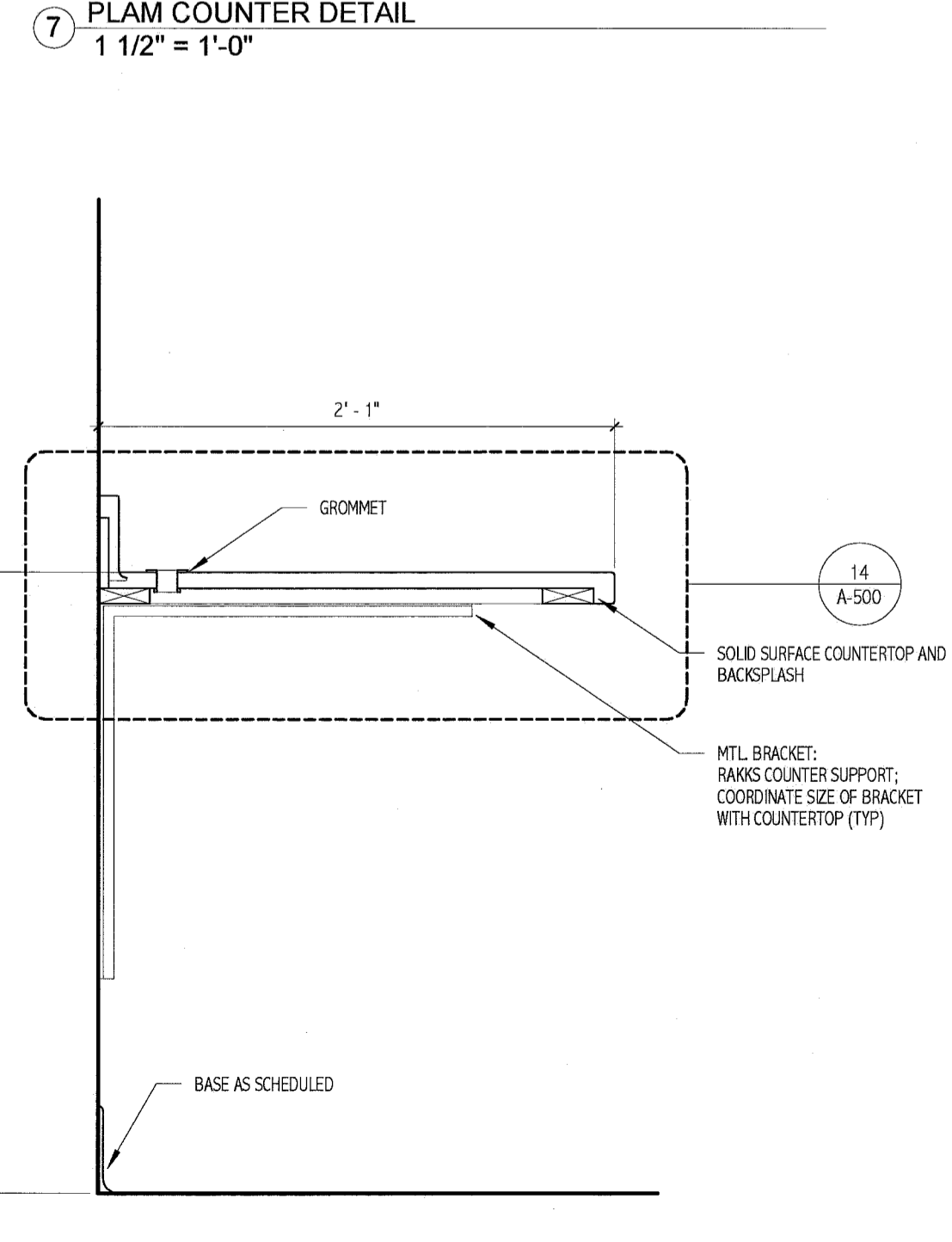
7 PLAM COUNTER DETAIL  
1 1/2" = 1'-0"



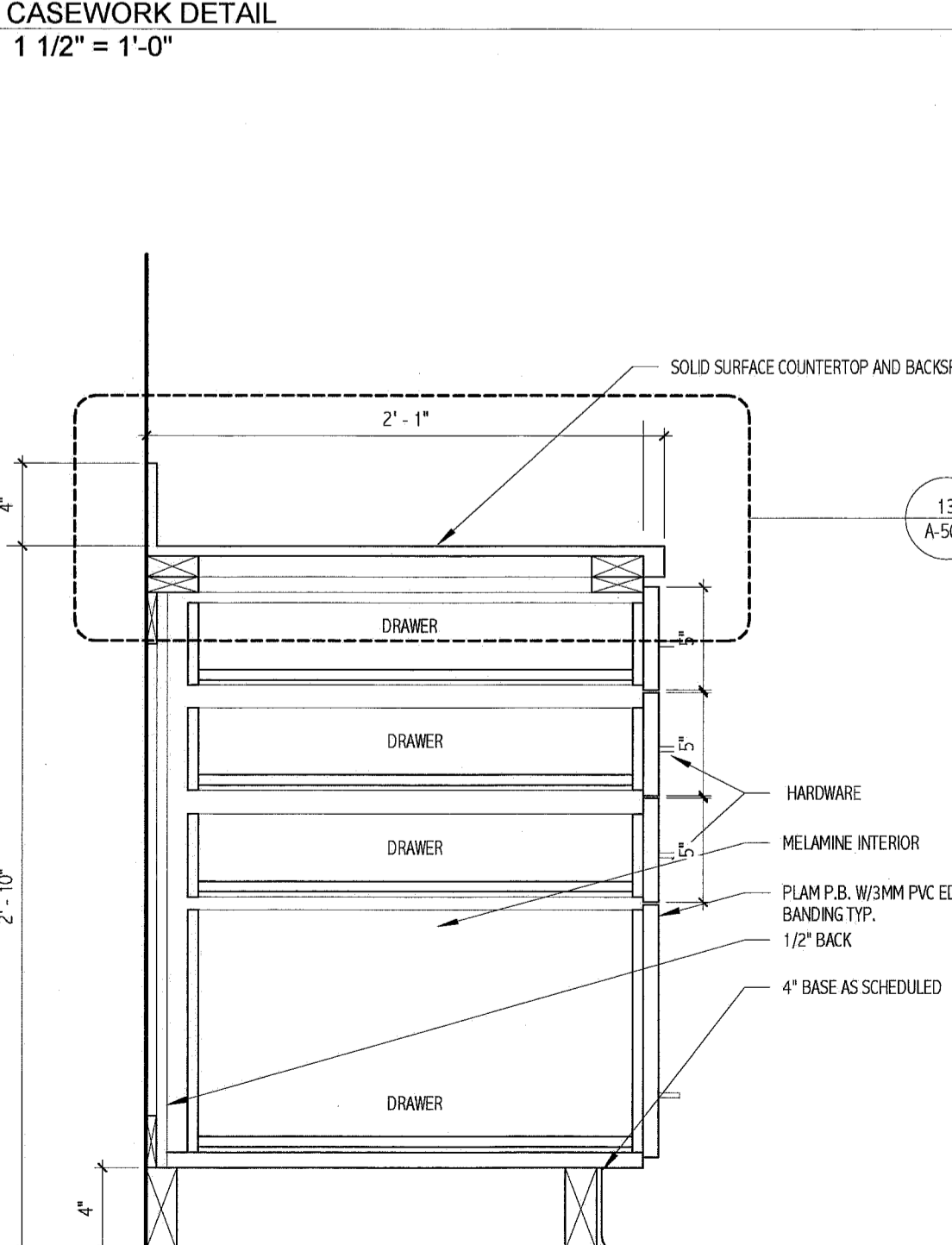
8 CASEWORK DETAIL  
1 1/2" = 1'-0"



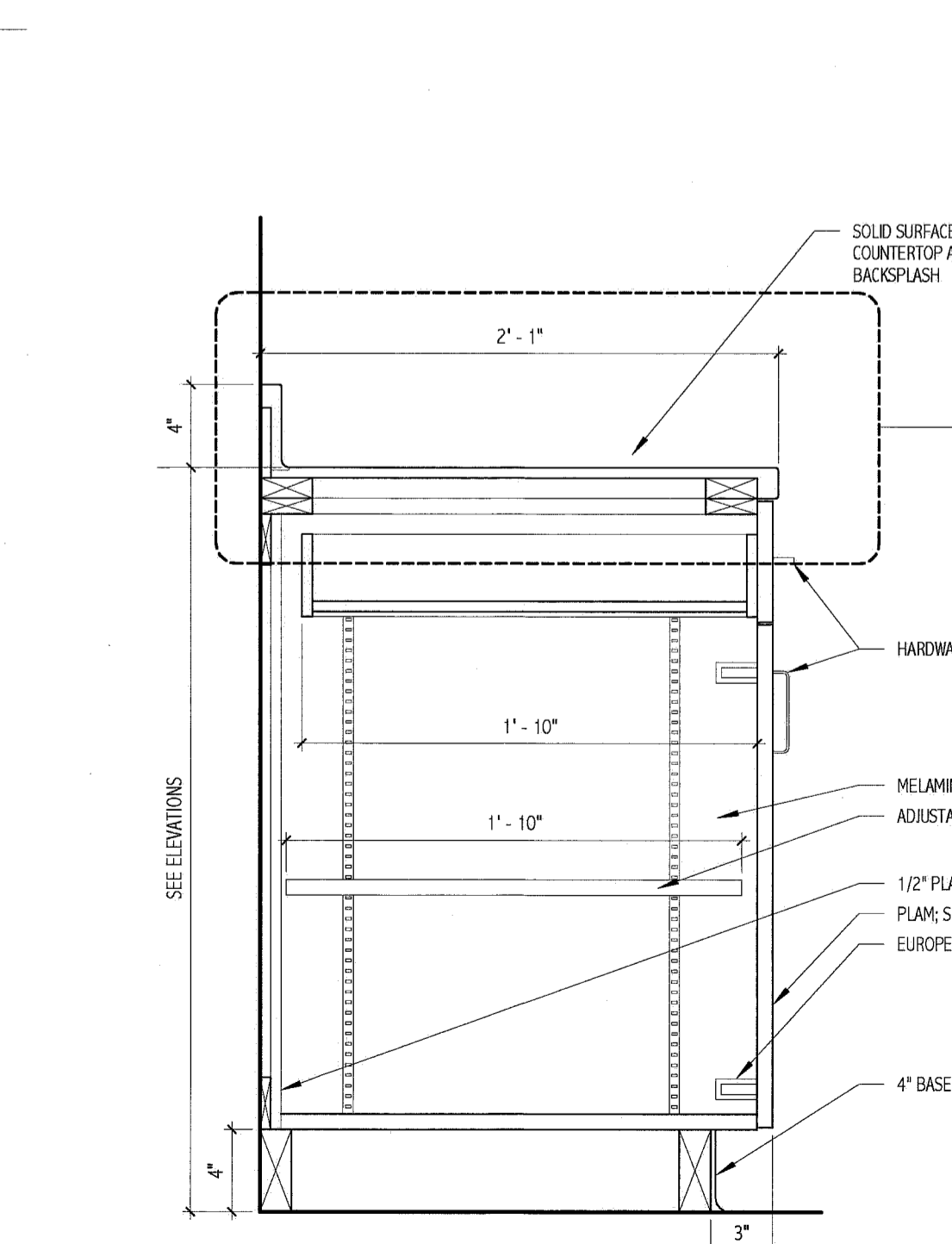
5 ADA BENCH DETAIL  
1 1/2" = 1'-0"



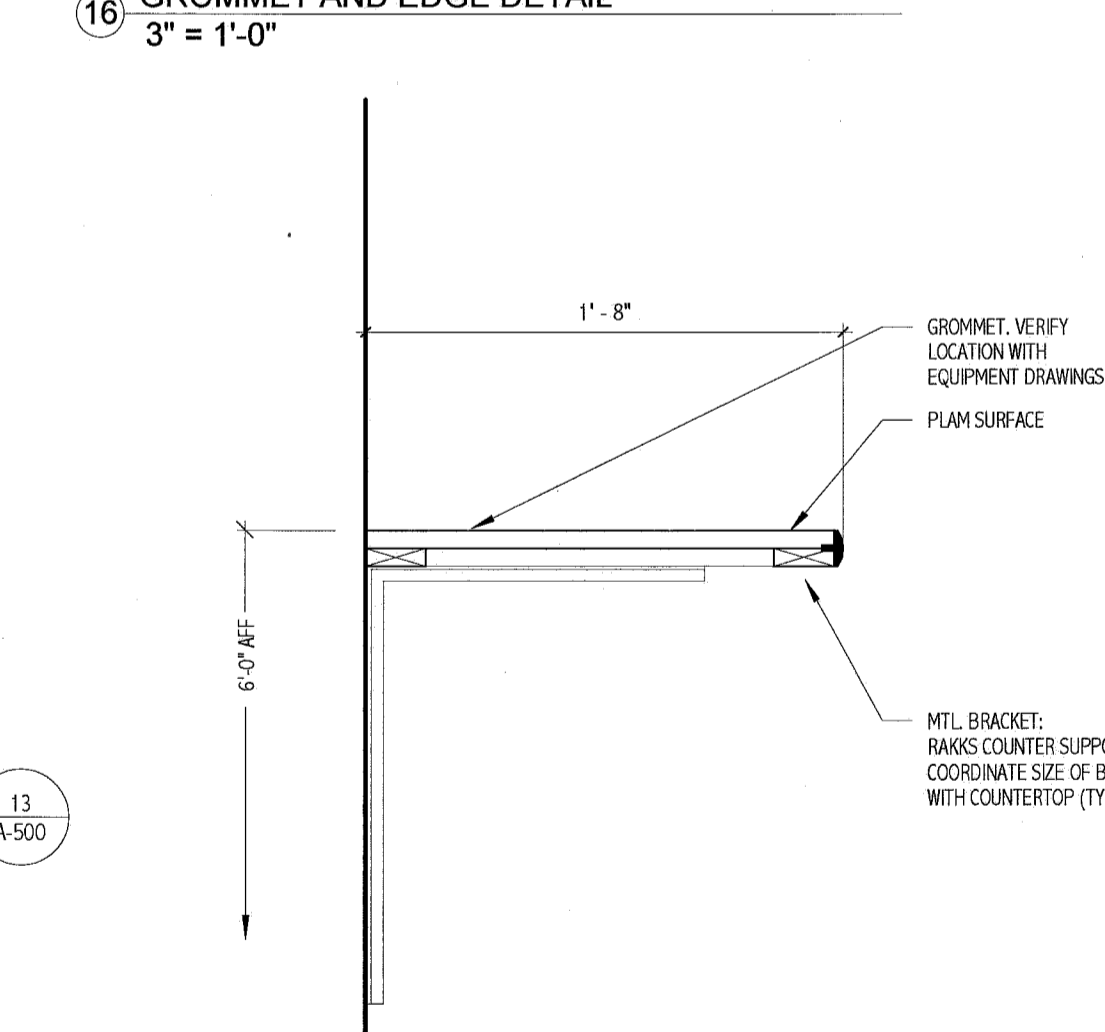
2 SOLID SURFACE COUNTERTOP DETAIL  
1 1/2" = 1'-0"



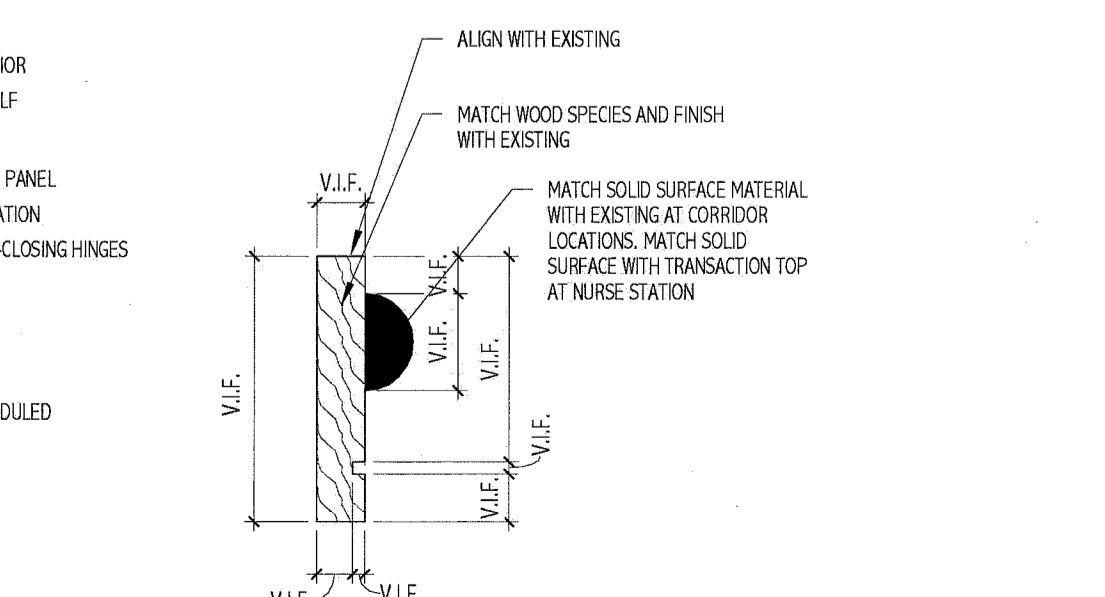
3 CASEWORK DETAIL  
1 1/2" = 1'-0"



4 CASEWORK DETAIL  
1 1/2" = 1'-0"



17 CASEWORK DETAIL  
1 1/2" = 1'-0"



18 EXISTING AND NEW BUMPER RAIL  
3" = 1'-0"

144 Elm Street, Box 618  
Portland, Maine 04104  
Tel: (207) 772-3846  
Fax: (207) 772-1070  
www.smrtinc.com

ARCHITECTURE  
ENGINEERING  
PLANNING  
INTERIOR DESIGN  
COMMISSIONING

**SMRT**

LICENSED ARCHITECT  
KRISTEN L. DAMUTH  
No. 2786  
Maine  
28 Feb 2012

MAINE MEDICAL CENTER  
HOLDING, RADCU & PBC RENOVATION  
PORTLAND, ME

ISSUED FOR CONSTRUCTION  
02.24.12

NO.	DESCRIPTION	DATE	CURRENT ISSUE STATUS

GRAPHIC SCALE:  
0" 1"

SCALE: As indicated

PROJECT MANAGER: KD  
IC/DRAWN BY: ART  
A/E OF RECORD: KD  
PROJECT NO: 11063  
DATE: 2.24.12

SHEET TITLE:  
INTERIOR ELEVATIONS AND DETAILS

SHEET No. A-500