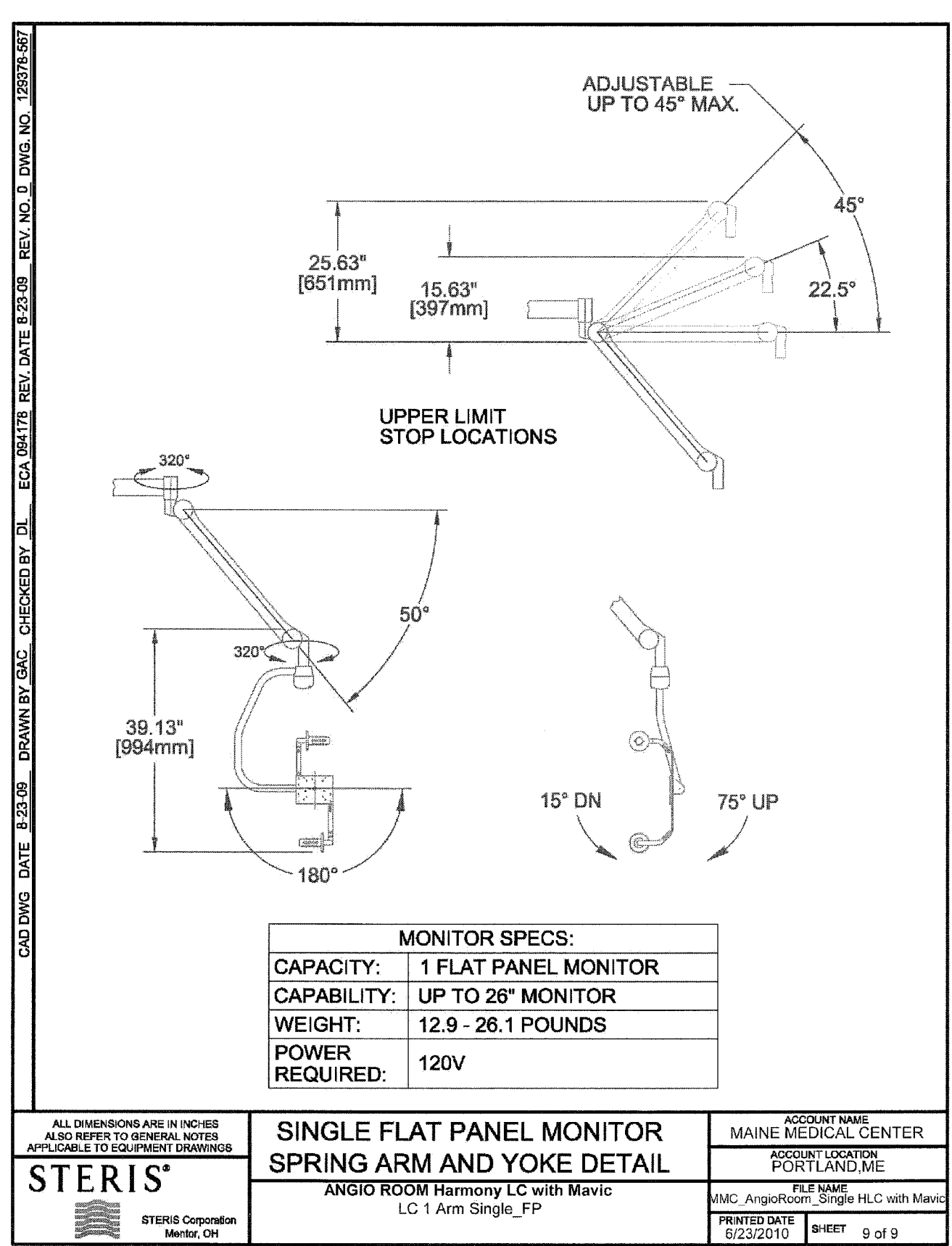
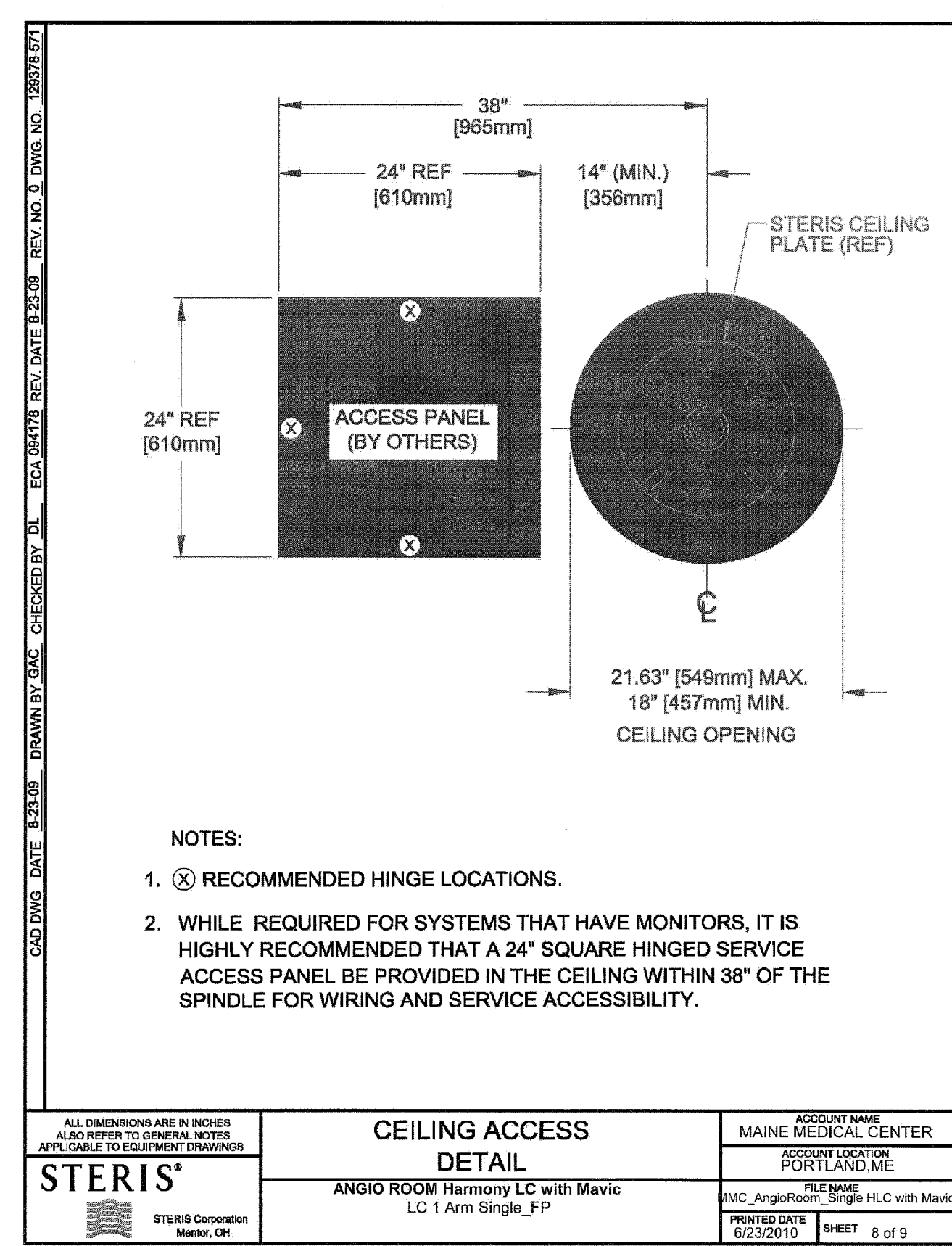
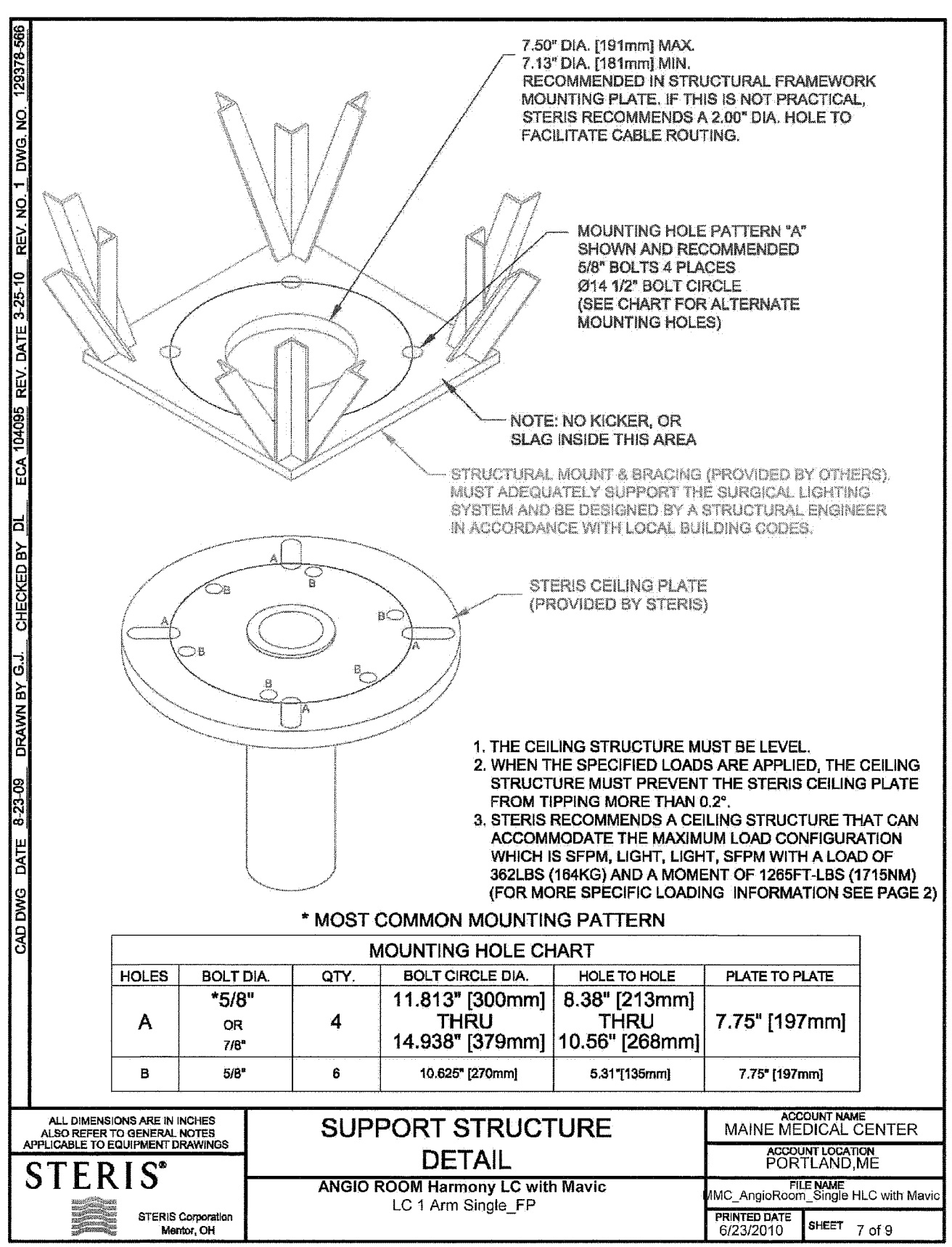


Bramhall Radiology  
 ANGIO BI-PLANE RENOVATIONS  
 PORTLAND, ME  
 ISSUED FOR CONSTRUCTION  
 06.14.11

REV	DESCRIPTION	DATE
0	ISSUED FOR CONSTRUCTION	06.14.11

GRAPHIC SCALE:  
 0" 1"  
 SCALE:  
 PROJECT MANAGER: DW  
 DRAWN BY:  
 A/E OF RECORD: DW  
 PROJECT NO: 11011  
 DATE: 06.14.11  
 SHEET TITLE:  
 VENDOR EQUIPMENT  
 DRAWINGS SHEET 4



NOTE: THIS DRAWING WAS NOT PREPARED BY SMRT. IT IS PROVIDED FOR COORDINATION AND REFERENCE PURPOSES ONLY.