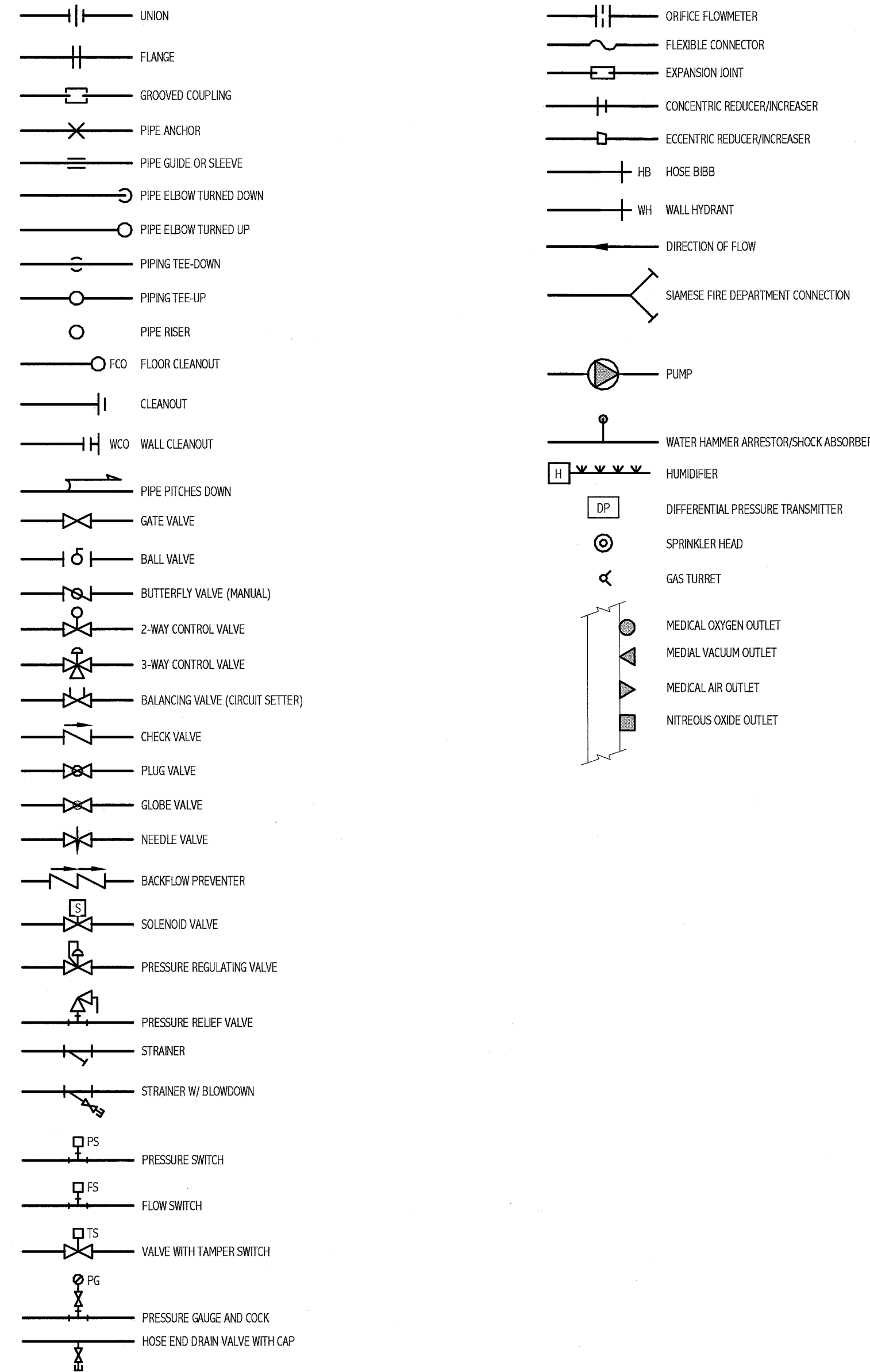
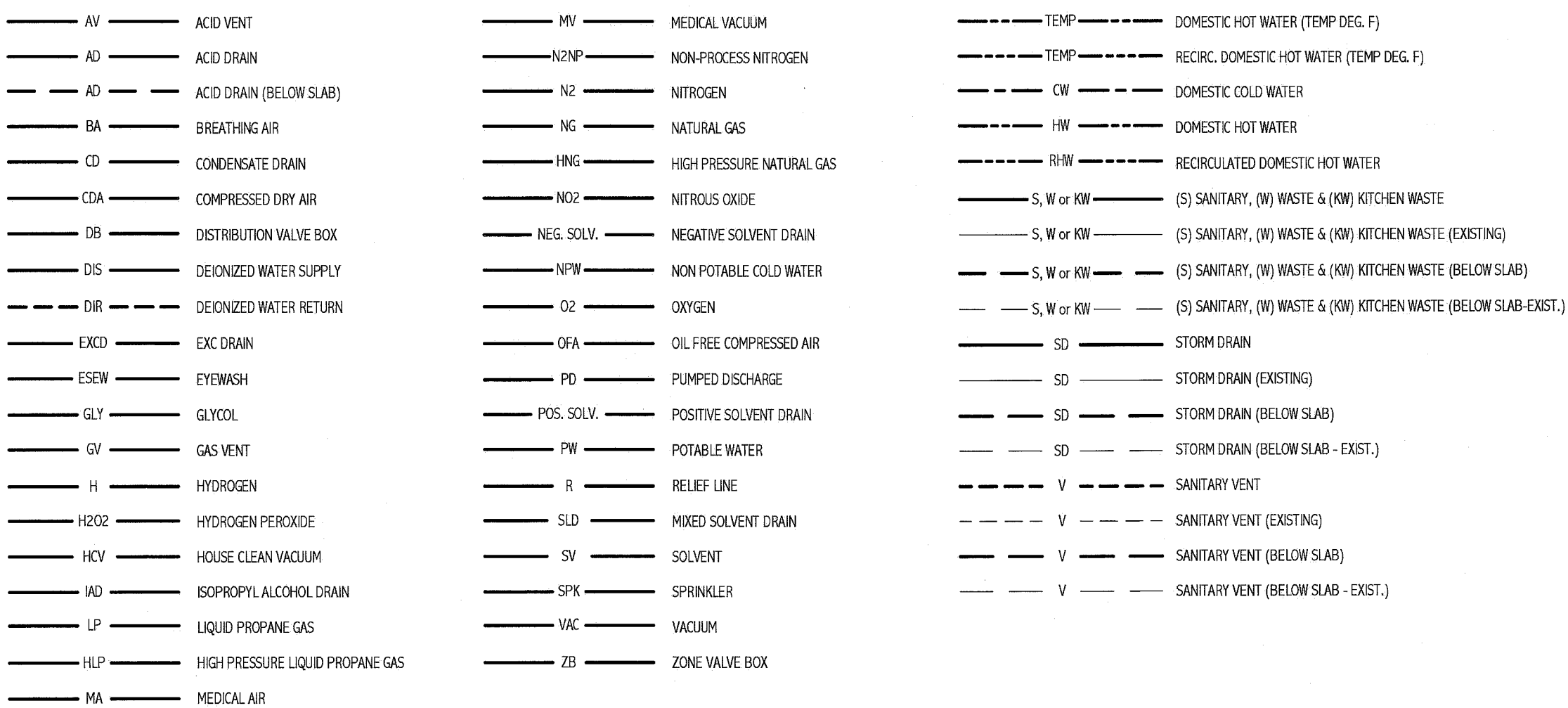


PIPING SYMBOLS



PIPING SYSTEMS



ABBREVIATIONS

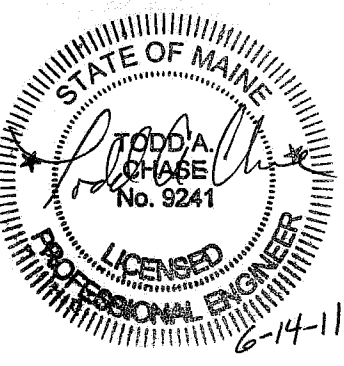
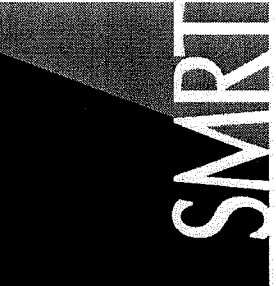
AAV AUTOMATIC AIR VENT	DWV DRAINAGE, WASTE AND VENT	PPE PREPURCHASED EQUIPMENT
AD ACCESS DOOR	ENC ENCLOSURE	PRS PRESSURE REDUCING STATION
AFF ABOVE FINISHED FLOOR	(E) EXISTING	PRV PRESSURE REDUCING VALVE
AHU AIR HANDLING UNIT	EXIST. EXISTING	(R) REMOVE
ATC AUTOMATIC TEMPERATURE CONTROL	FBO FURNISHED BY OWNER	(REL.) RELOCATE
AV AIR VENT	FC FLEXIBLE CONNECTOR	RD ROOF DRAIN
BA BREATHING COMPRESSED AIR	FCD FLOOR CLEANOUT	RHC REHEAT COIL
BFP BACKFLOW PREVENTER	FD-# FLOOR DRAIN TAG	RM ROOM
BLDG BUILDING	FG FIBERGLASS	RPZ REDUCED PRESSURE ZONE BFP
BOD BOTTOM OF DUCT	FRFB FREEZE RESISTANT HOSE BBB	RV RELIEF VALVE
BOP BOTTOM OF PIPE	FS FLOW SWITCH	SCV SELF-CONTAINED VALVE
BTU BRITISH THERMAL UNIT	GC GENERAL CONTRACTOR	SS STAINLESS STEEL
CF CAPPED FOR FUTURE	GPM GALLONS PER MINUTE	TE TEMPERATURIZED ELEMENT (SENSOR)
CFM CUBIC FEET PER MINUTE	H HUMIDIFIER	TOP TOP OF PIPE
CLG CEILING	HB HOSE BBB	TTS TIGHT TO STEEL
CO CLEANOUT	HRTU HEAT RECOVERY UNIT	TYP TYPICAL
CONT CONTINUATION	HTR HEATER	UIC UP IN CHASE
COORD COORDINATION	H & V HEATING AND VENTILATING	UW UP IN WALL
CT COOLING TOWER	HVAC HEATING, VENTILATING AND AIR CONDITIONING	UV UNIT VENTILATOR
CTE CONNECT TO EXISTING	HW HOT WATER	VB VACUUM BREAKER
CU COPPER	HX HEAT EXCHANGER	VTR VENT THROUGH ROOF
CV CONTROL VALVE	IN W/ INCHES WATER GAUGE	VCF VALVED AND CAPPED FOR FUTURE
CW COLD WATER	MAU MAKEUP AIR UNIT	VFD VARIABLE FREQUENCY DRIVE
CW-P CITY WATER PROCESS	MAX MAXIMUM	VOC VOLATILE ORGANIC COMPOUND
DC DOUBLE CONTAINED	MBH 1000 BTU/H	W/ WITH
DDO DANDY CLEANOUT	ME MECHANICAL ENGINEER	WST WASTE AND TRAP
DDC DIRECT DIGITAL CONTROL	MFR MANUFACTURER	WCO WALL CLEANOUT
DIA DIAMETER	MIN MINIMUM	WH WALL HYDRANT
DIC DOWN IN CHASE	MPV MULTI-PURPOSE VALVE	ZVB ZONE VALVE BOX
DIW DOWN IN WALL	MTD MOUNTED	
DN DOWN	MUA MAKE UP AIR	
DS DOWNSPOUT	NPW NON-POTABLE WATER	
DT DROP AND TRANSITION	NTS NOT TO SCALE	
DWG DRAWING	P-# PLUMBING FIXTURE TAG	
DWH DOMESTIC WATER HEATER	PP POLYPROPYLENE	

GENERAL NOTE:

1. ALL GENERAL NOTES, SYMBOL LISTS, AND DETAILS ARE TO BE CONSIDERED AS APPLICABLE TO ALL PLUMBING DRAWINGS FOR THIS PROJECT. SYMBOLS AND ABBREVIATIONS SHOWN ON THIS SHEET ARE FOR REFERENCE ONLY AND DO NOT INDICATE THEIR INCORPORATION INTO THE DESIGN.

144 Forest Street, Box 6
Portland, Maine 04104
Tel: (207) 772-3846
Fax: (207) 772-1072
www.smrtinc.com

ARCHITECTURE
ENGINEERING
PLANNING
INTERIOR DESIGN
COMMISSIONING



Bramhall Radiology
ANGIO BI-PLANE RENOVATIONS
PORTLAND, ME

ISSUED FOR CONSTRUCTION
06.14.11

CURRENT ISSUE STATUS:
DATE: 06.14.11

REV	DESCRIPTION	DATE
0	ISSUED FOR CONSTRUCTION	06.14.11

GRAPHIC SCALE:
0" 1"

SCALE: NOT TO SCALE

PROJECT MANAGER: DIV
IC/DRAWN BY: Author
A/E OF RECORD: Checker
PROJECT NO.: 11011
DATE: 06.14.11

SHEET TITLE:
LEGEND AND ABBREVIATIONS

SHEET No.: P-001