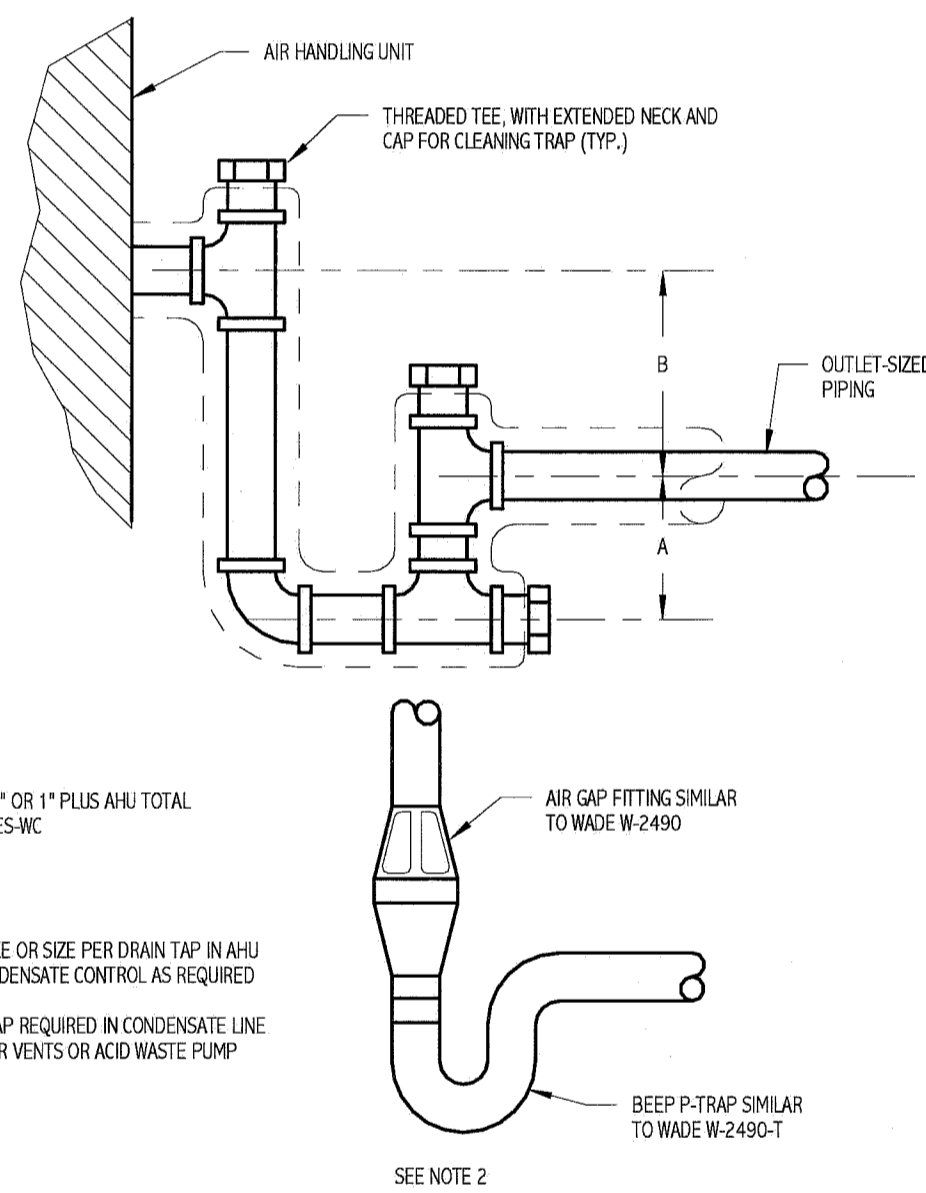


5 DUCT MAIN AND BRANCH TAKE OFF
DETAIL
NOT TO SCALE

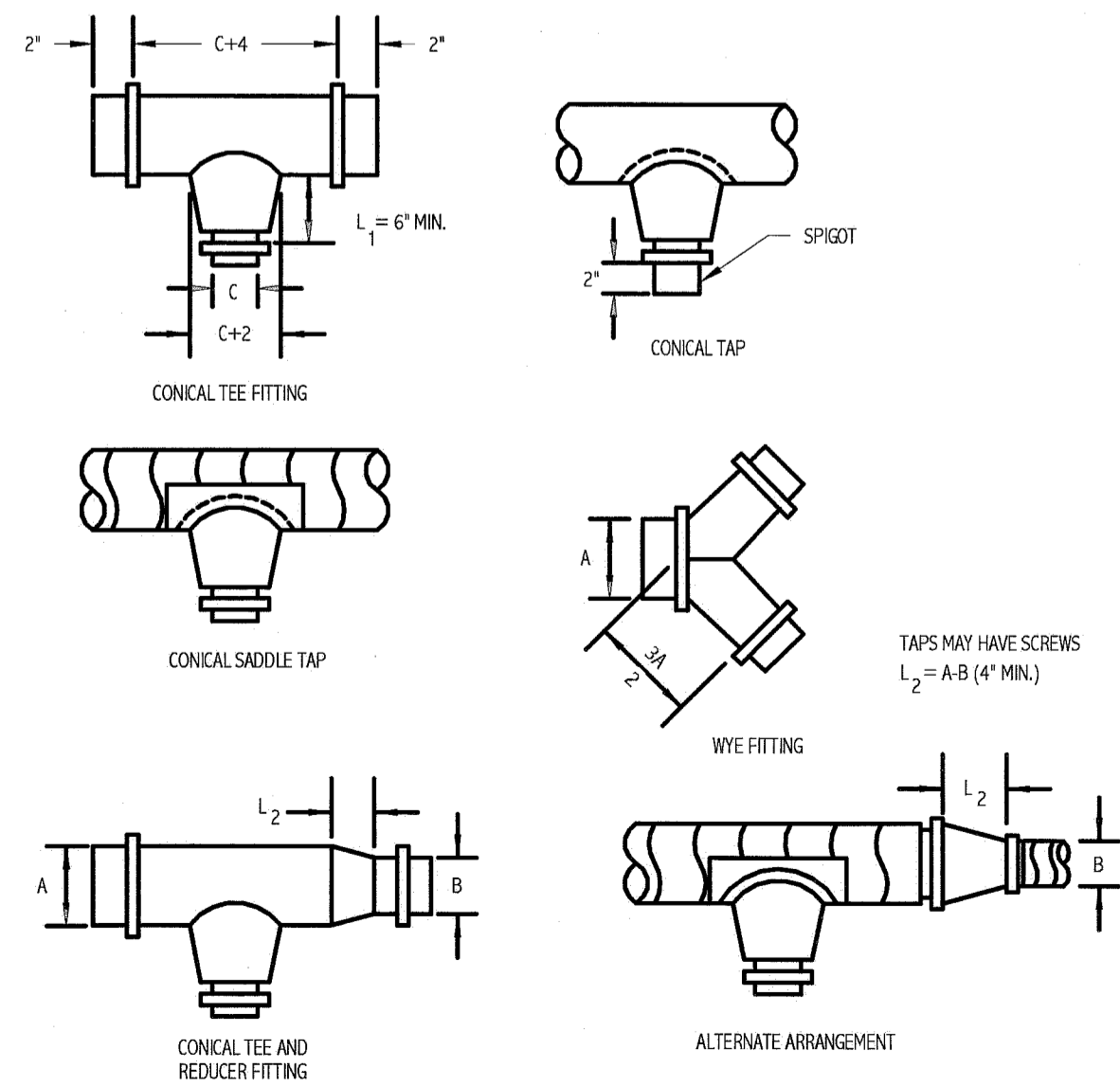


DRAWTHRU
A= 1/2 B
B= GREATER OF 2" OR 1" PLUS AHU TOTAL
PRESSURE IN INCHES-WC

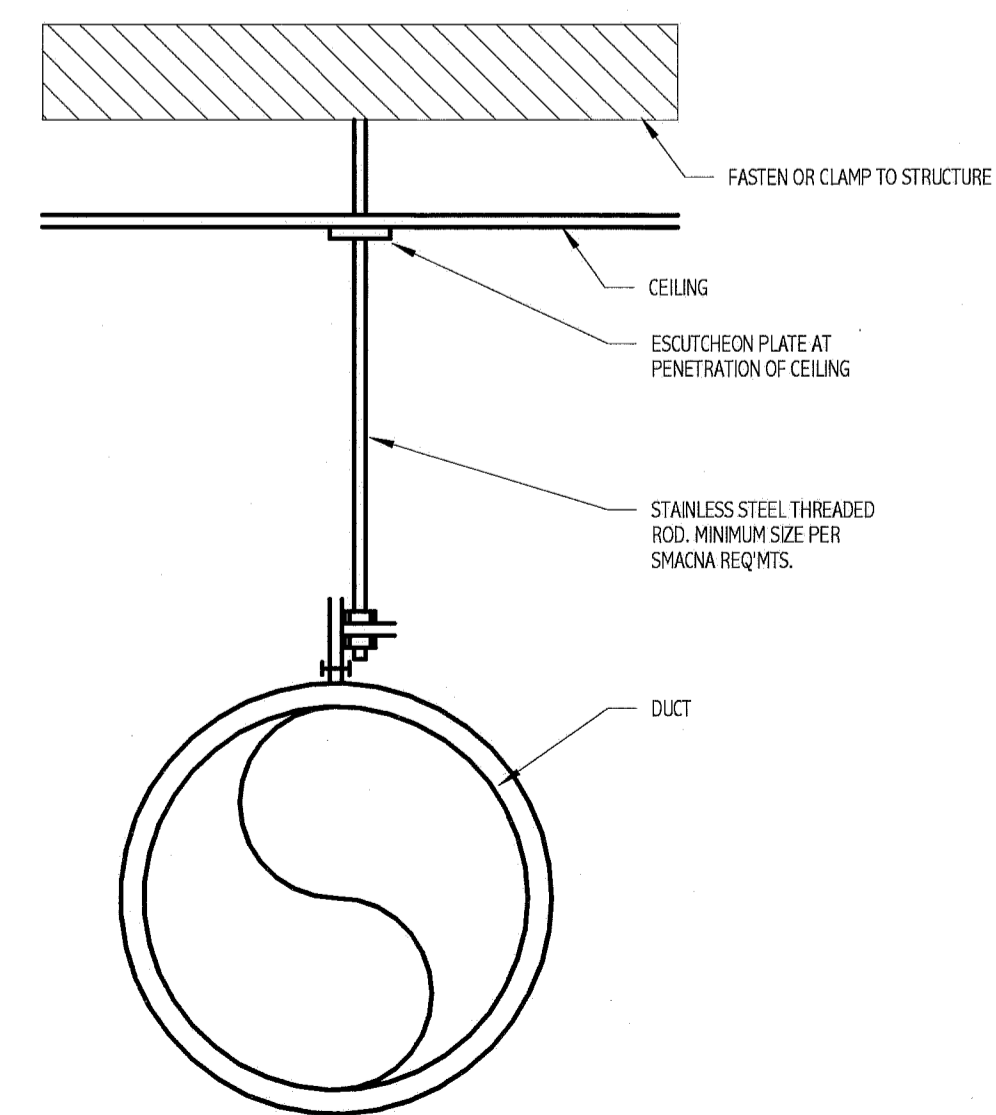
NOTES:
1. 1/4" MIN PIPE SIZE OR SIZE PER DRAIN TAP IN AHU
INSULATE FOR CONDENSATE CONTROL AS REQUIRED
2. P-TRAP W/ AIR GAP REQUIRED IN CONDENSATE LINE
DRAINING TO SEWER VENTS OR ACID WASTE PUMP
STATIONS

SEE NOTE 2

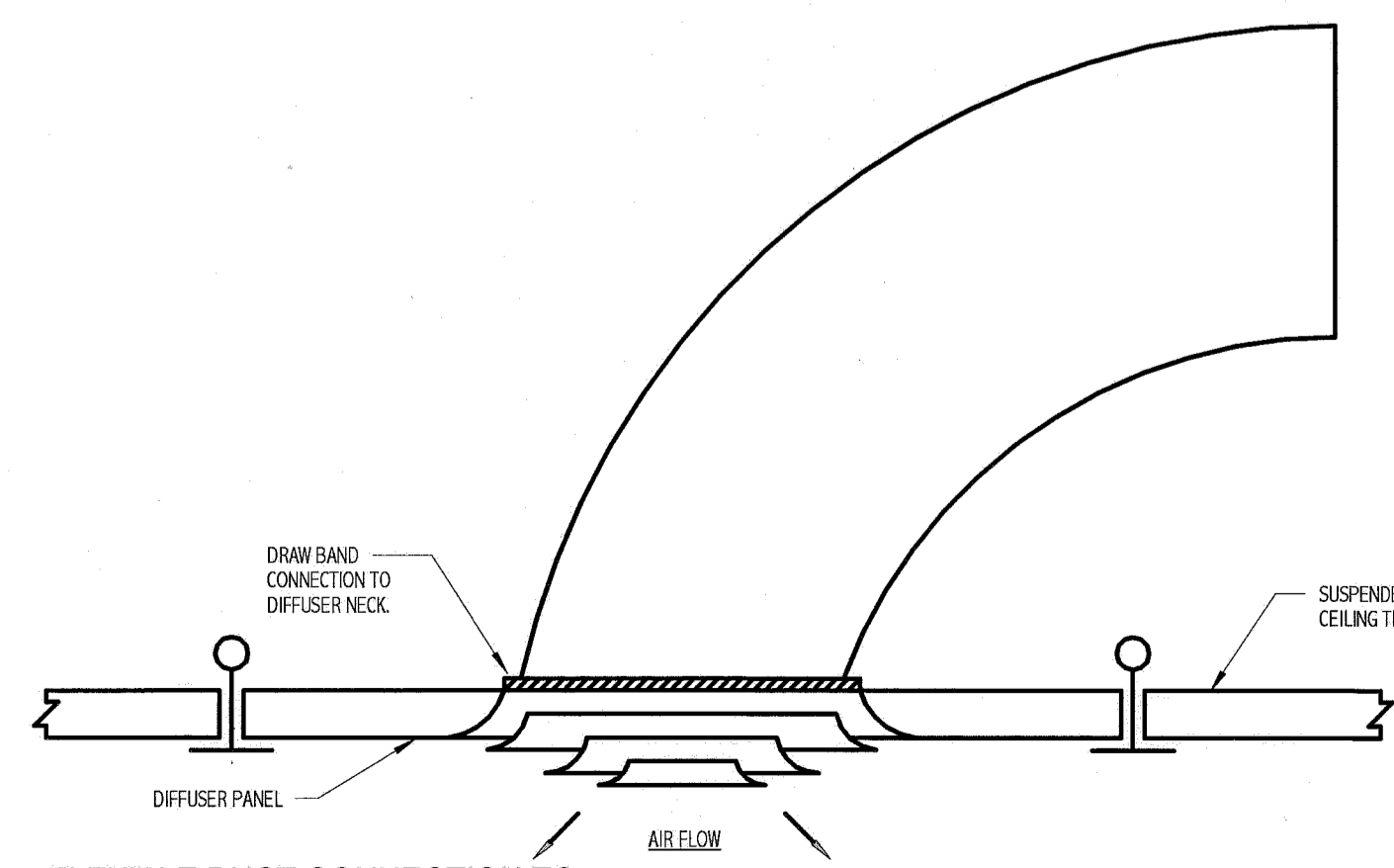
6 CONDENSATE DRAIN TRAP DETAIL
NOT TO SCALE



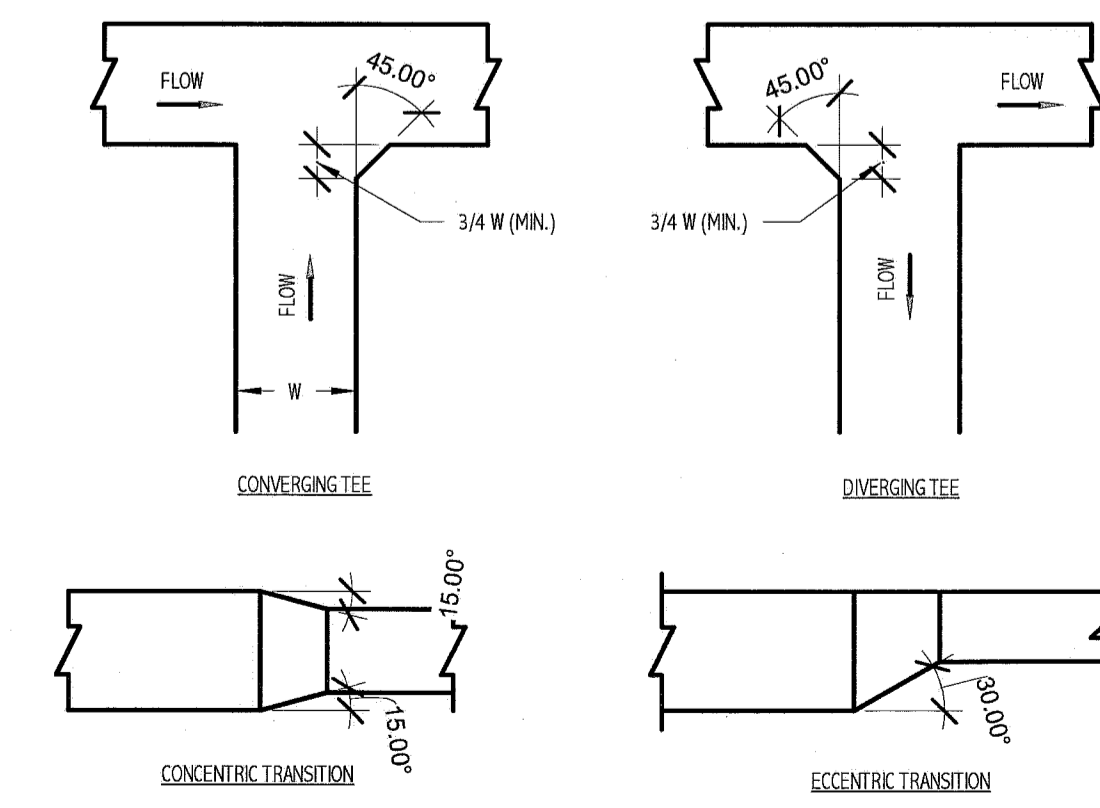
1 CONICAL TEE DETAILS
NOT TO SCALE



2 DUCT HANGER DETAIL
NOT TO SCALE



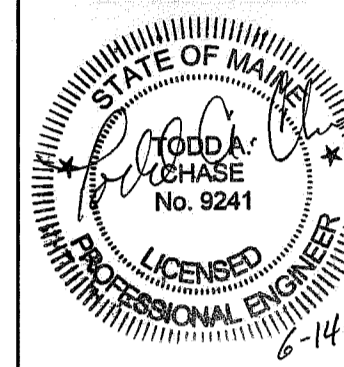
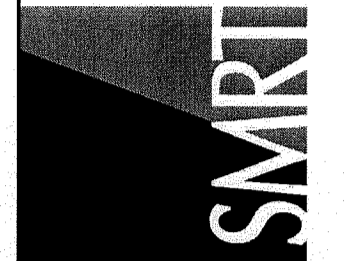
3 FLEXIBLE DUCT CONNECTION TO
DIFFUSER DETAIL
NOT TO SCALE



4 DUCT TRANSITION DETAILS
NOT TO SCALE

144 Free Street P.O. Box 618
Portland, Maine 04104
Tel: (207) 772-3946
Fax: (207) 772-1070
www.larrinc.com

ARCHITECTURE
ENGINEERING
PLANNING
INTERIOR DESIGN
COMMISSIONING



Bramhall Radiology
ANGIO BI-PLANE RENOVATIONS
PORTLAND, ME

ISSUED FOR CONSTRUCTION
06.14.11

REV	DESCRIPTION	DATE
0	ISSUED FOR CONSTRUCTION	06.14.11

GRAPHIC SCALE:
0" 1"

SCALE: NOT TO SCALE
PROJECT MANAGER: DIV
ICD-DRAWN BY: KFB
DATE OF RECORD: TAC
PROJECT NO.: 11011
DATE: 06.14.11
SHEET TITLE:
MECHANICAL DETAILS
SHEET No.: M-501
© Larrin Inc.