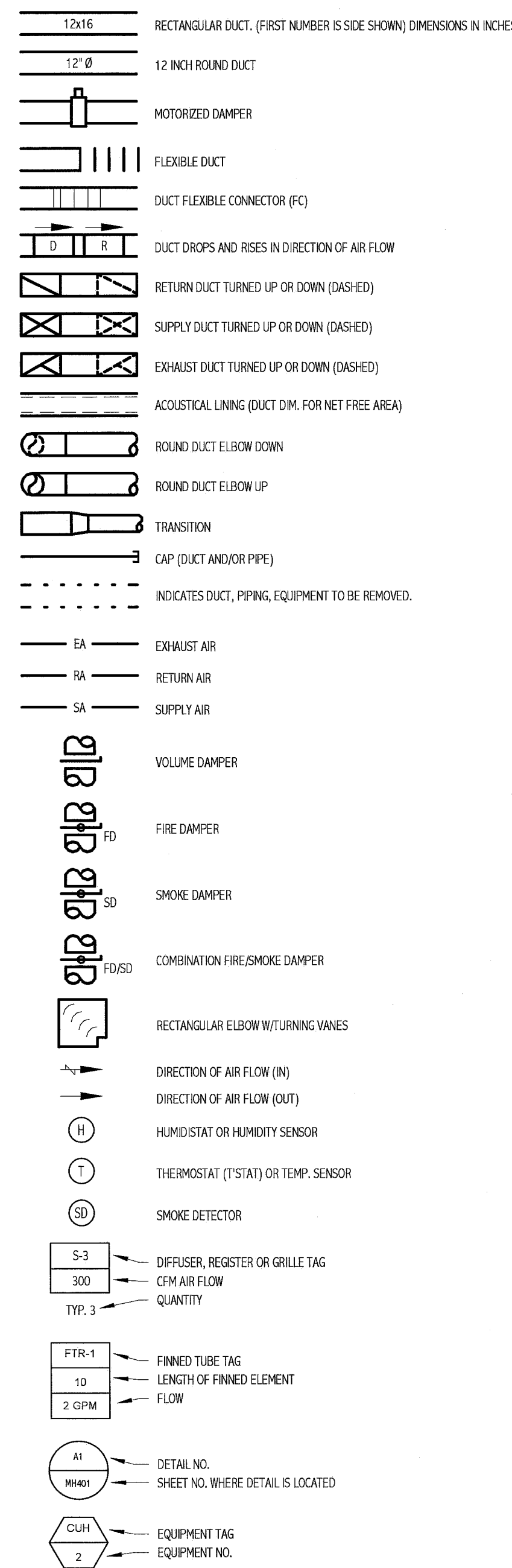
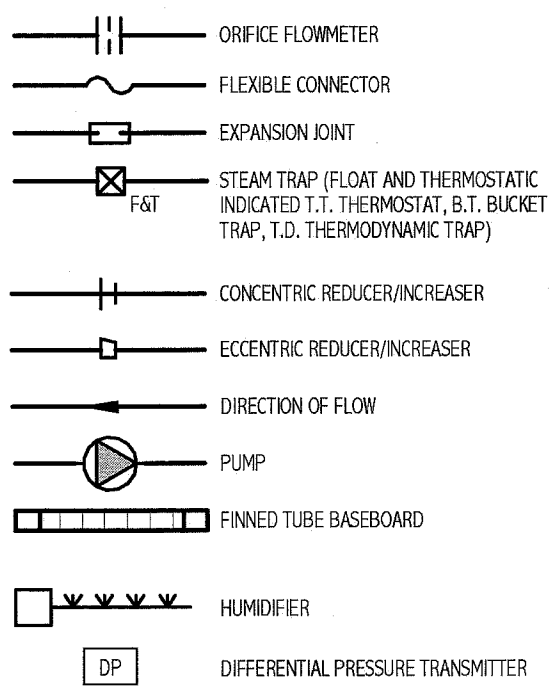
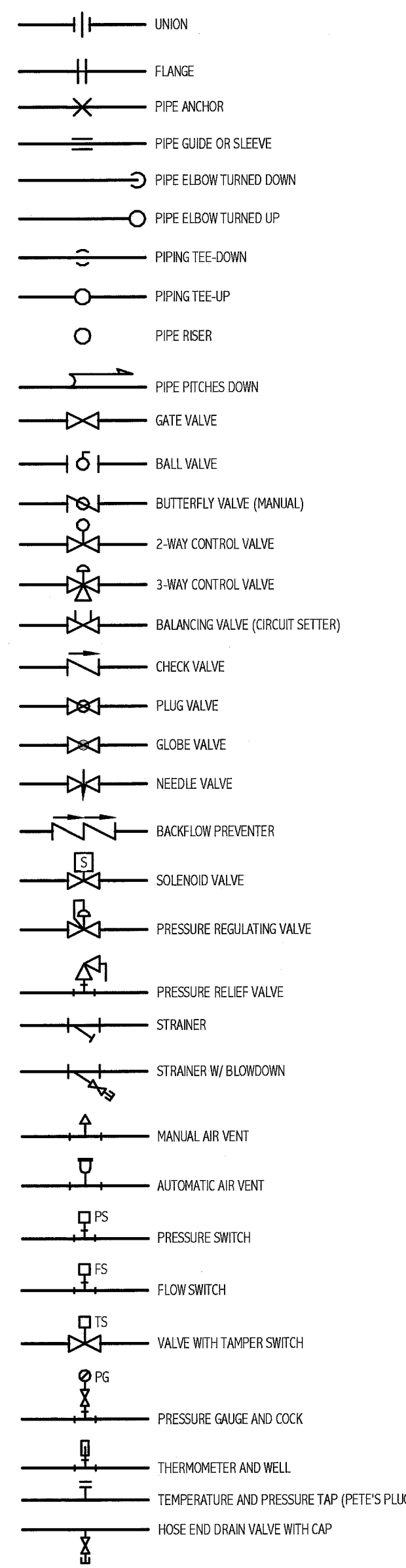


AIR DISTRIBUTION SYMBOLS



PIPING SYMBOLS



ABBREVIATIONS

AAV	AUTOMATIC AIR VENT	ENC	ENCLOSURE	PSE	PROCESS SOLVENT EXHAUST
ACC	AIR COOLED CONDENSER	ER	EXHAUST REGISTER	PP	POLY-PROPYLENE
AOU	AIR CONDITIONING UNIT	(E)	EXISTING	PPE	PREPURCHASED EQUIPMENT
AD	ACCESS DOOR	EXST.	EXISTING	PRS	PRESSURE REDUCING STATION
AE	ACID EXHAUST	FBO	FURNISHED BY OWNER	PRV	PRESSURE REDUCING VALVE
AFF	ABOVE FINISHED FLOOR	FBP	FACE AND BYPASS	PVD	PNEUMATIC VOLUME DAMPER
AFMS	AIR FLOW MEASURING STATION	FC	FLEXIBLE CONNECTOR	RA	RETURN AIR
AHJ	AIR HANDLING UNIT	FD	FIRE DAMPER	(R)	REMOVE
ATC	AUTOMATIC TEMPERATURE CONTROL	FG	FIBERGLASS	RA	RETURN AIR
AV	AIR VENT	FST	FLOAT AND THERMOSTATIC	(REL)	RELOCATED
BB	BASEBOARD	FO	FLAT OVAL	RF	RETURN FAN
BD	BACKDRAFT DAMPER	FTR	FINNED TUBE RADIATION	RG	RETURN GRILLE
BG	BLAST GATE	FS	FLOW SWITCH	RH	REHEAT COIL
BLDG	BUILDING	GC	GENERAL CONTRACTOR	RM	ROOM
BOD	BOTTOM OF DUCT	GM	GALLONS PER MINUTE	RR	RETURN REGISTER
BOP	BOTTOM OF PIPE	H	HUMIDIFIER	RV	RELIEF VALVE
BTU	BRITISH THERMAL UNIT	HB	HOSE BIBB	SA	SUPPLY AIR
CB	COUNTER BALANCED DAMPER	HRI	HEAT RECOVERY UNIT	SCV	SELF CONTAINED VALVE
CD	CEILING DIFFUSER	HTR	HEATER	SD	SMOKE DETECTOR
CF	CAPPED FOR FUTURE	H & V	HEATING AND VENTILATING	SF	SUPPLY FAN
CFM	CUBIC FEET PER MINUTE	HVAC	HEATING, VENTILATING AND AIR CONDITIONING	SG	SUPPLY GRILLE
CLG	CEILING	HW	HOT WATER	SR	SUPPLY REGISTER
CONT	CONTINUATION	SS	STAINLESS STEEL	TE	TEMPERATURIZED ELEMENT (SENSOR)
COORD	COORDINATION	IN WG	INCHES WATER GAUGE	TG	TRANSFER GRILLE
CT	COOLING TOWER	MAU	MAKEUP AIR UNIT	TOD	TOP OF DUCT
CTE	CONNECT TO EXISTING	MAX	MAXIMUM	TOP	TOP OF PIPE
CU	COPPER	MBH	1000 BTU/HR	TTIS	TIGHT TO STEEL
CUH	CABINET UNIT HEATER	MD	MOTORIZED DAMPER	TV	TURNING VANE(S)
CV	CONTROL VALVE	ME	MECHANICAL ENGINEER	TYP	TYPICAL
CW	COLD WATER	MFR	MANUFACTURER	UH	UNIT HEATER
DC	DOUBLE CONTAINED	MIN	MINIMUM	UC	UP IN CHASE
DDC	DIRECT DIGITAL CONTROL	MPV	MULTI-PURPOSE VALVE	UW	UP IN WALL
DA	DAMETER	MTD	MOUNTED	UV	UNIT VENTILATOR
DIC	DOWN IN CHASE	MJA	MAKE UP AIR	VAV	VARIABLE AIR VOLUME BOX
DIN	DOWN IN WALL	NPW	NON-POTABLE WATER	VB	VACUUM BREAKER
DN	DOWN	NTS	NOT TO SCALE	VCF	VALVED AND CAPPED FOR FUTURE
DT	DROP AND TRANSITION	OA	OUTSIDE AIR	VD	MANUAL VOLUME DAMPER
DWG	DRAWING	OSD	OPPOSED BLADE DAMPER	VFD	VARIABLE FREQUENCY DRIVE
DWH	DOMESTIC WATER HEATER	OED	OPEN ENDED DUCT	VOC	VOLATILE ORGANIC COMPOUND
EA	EXHAUST AIR	PAE	PROCESS ACID EXHAUST	VTR	VENT THROUGH ROOF
EF	EXHAUST FAN	PHE	PROCESS HEAT EXHAUST	W/	WITH

PIPING SYSTEMS

CD	CONDENSATE DRAIN	HG	HOT GAS	RL	REFRIGERANT LIQUID
CHWS	CHILLED WATER SUPPLY	HPS	HIGH PRESSURE STEAM	RS	REFRIGERANT SUCTION
CHWR	CHILLED WATER RETURN	HPR	HIGH PRESSURE CONDENSATE RETURN	TWS	TEMPERED CHILLED WATER SUPPLY
CWS	CONDENSER WATER SUPPLY	HWS	HOT WATER SUPPLY	TWR	TEMPERED CHILLED WATER RETURN
CWR	CONDENSER WATER RETURN	HWR	HOT WATER RETURN	ZB	ZONE VALVE BOX
DB	DISTRIBUTION VALVE BOX	LPS	LOW PRESSURE STEAM		
FCS	FREE COOLING SUPPLY	LPR	LOW PRESSURE RETURN		
FCR	FREE COOLING RETURN	MPS	MEDIUM PRESSURE STEAM		
FOS	FUEL OIL SUPPLY	MPR	MEDIUM PRESSURE RETURN		
FOR	FUEL OIL RETURN	NPW	NON POTABLE COLD WATER		
FOV	FUEL OIL VENT	PCWR	PROCESS COOLING WATER RETURN		
GCR	GRAVITY STEAM CONDENSATE RETURN	PC	PUMPED STEAM CONDENSATE		
GLY	GLYCOL	PD	PUMPED DISCHARGE		
HCR	HOT/CHILLED WATER RETURN	PW	POTABLE WATER		
HCS	HOT/CHILLED WATER SUPPLY	R	RELIEF LINE		

GENERAL NOTE:
 1. ALL GENERAL NOTES, SYMBOL LISTS, AND DETAILS ARE TO BE CONSIDERED AS APPLICABLE TO ALL MECHANICAL DRAWINGS FOR THIS PROJECT. SYMBOLS AND ABBREVIATIONS SHOWN ON THIS SHEET ARE FOR REFERENCE ONLY AND DO NOT INDICATE THEIR INCORPORATION INTO THE DESIGN.

144 For Sheet PCS-06-010
 Portland, Maine 04109
 Tel: (207) 772-8846
 Fax: (207) 772-1070
 www.smartinc.com

ARCHITECTURE
 ENGINEERING
 PLANNING
 INTERIOR DESIGN
 COMMISSIONING

SMART

STATE OF MAINE
 TODD A. DeChase
 No. 9241
 LICENSED PROFESSIONAL ENGINEER
 6-14-11

Bramhall Radiology
 ANGIO BI-PLANE RENOVATIONS
 PORTLAND, ME

ISSUED FOR CONSTRUCTION
 06.14.11

REV	DESCRIPTION	DATE
0	ISSUED FOR CONSTRUCTION	06.14.11

GRAPHIC SCALE:
 0' 1'

SCALE: NOT TO SCALE

PROJECT MANAGER: DW
 DRAWN BY: KPB
 A/E OF RECORD: TAC
 PROJECT NO.: 11011
 DATE: 06.14.11

SHEET TITLE:
LEGEND AND ABBREVIATIONS

SHEET No. **M-001**

©COPYRIGHT 2008 SMART INC.