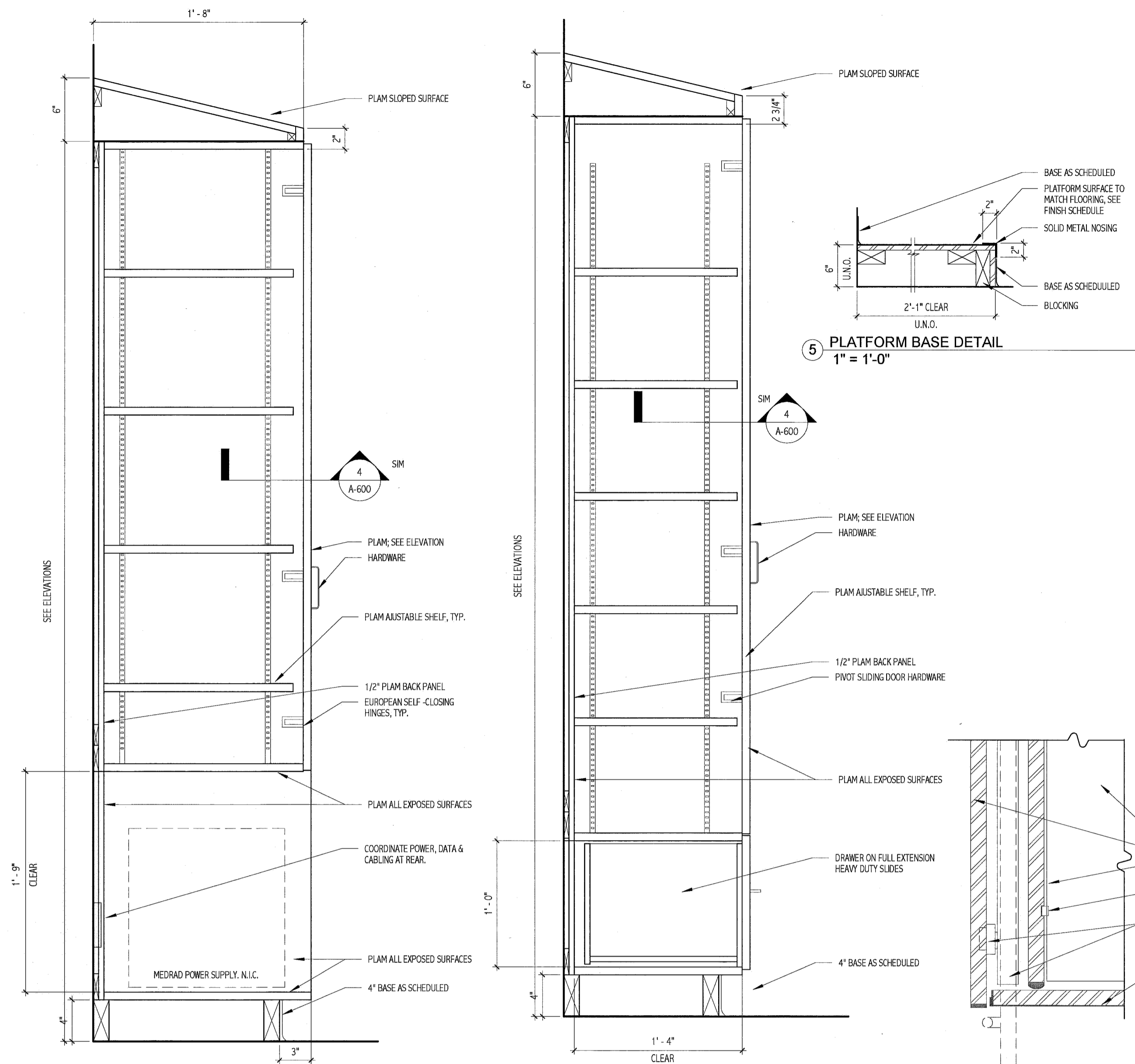


1 BASEMENT FLOOR FINISH PLAN
1/4" = 1'-0"



2 CASEWORK DETAIL
1 1/2" = 1'-0"

3 CASEWORK DETAIL
1 1/2" = 1'-0"

4 CASEWORK DETAIL
3" = 1'-0"

5 PLATFORM BASE DETAIL
1" = 1'-0"

GENERAL FINISH NOTES:

- SEE MANUFACTURER'S SPECIFICATIONS FOR ADDITIONAL INFORMATION REGARDING FINISH MATERIALS AND INSTALLATION INFORMATION.
- MATERIALS IN FINISH LEGEND ARE FROM MAINE MEDICAL CENTER'S FINISH STANDARDS. SUBSTITUTIONS WILL NOT BE ACCEPTED.
- DOOR AND WINDOW FRAMES TO BE PTD-2, UNLESS NOTED OTHERWISE.
- REFER TO RCP FOR SOFFIT HEIGHTS. ALL SOFFITS TO BE PTD-1, UNLESS NOTED OTHERWISE.
- ALL GWB CEILINGS TO BE PTD-1, UNLESS NOTED OTHERWISE.
- INTEGRAL BASE COLOR SHALL BE SYNONYMOUS WITH FLOOR COLOR AT THAT POINT, UNLESS NOTED OTHERWISE.
- ALL AREAS DISTURBED DURING CONSTRUCTION SHALL BE PATCHED TO MATCH EXISTING FINISHES.
- CONTRACTOR TO PERFORM ALKALINITY AND ADHESION TESTS (ASTM F 1869 & 2170) RECOMMENDED BY FLOORING MANUFACTURER FOR EACH TYPE OF FLOORING. PROCEED WITH INSTALLATION ONLY AFTER SUBSTRATES PASS TESTING. VERIFY RESULTS WITH FLOORING MANUFACTURER. CONTRACTOR TO CARRY ALLOWANCE FOR TOPICAL TREATMENT IF REQUIRED, KOESTER OR EQUAL.

FLOOR FINISH NOTES:

- REFER TO FLOOR FINISH PLAN FOR LAYOUT OF FLOOR FINISH MATERIALS. REFER TO SCHEDULES FOR ACTUAL MATERIALS USED.
- ALL NEW FLOORING MATERIALS TO RUN BENEATH NEW CASEWORK, UNLESS NOTED OTHERWISE.
- PROVIDE RESILIENT RUBBER FLOOR TRANSITIONS AT ALL REQUIRED LOCATIONS.

ROOM FINISH SCHEDULE (Biplane)											
ROOM NUMBER	NAME	FLOOR		WALLS				CEILING		ROOM NUMBER	COMMENTS
		MAT'L	BASE	NORTH	SOUTH	EAST	WEST	MAT'L	HT		
B446	ANGIO BI-PLANE	RUB-1/2/3	RB-1	PWC-1/PTD	PWC-1/PTD	PWC-1/PTD	PWC-1/PTD	ACT-1	SEE RCP		
B446A	EQUIPMENT RM.	RUB-1	RB-1	PTD	PTD	PTD	PTD	ACT-1	SEE RCP		
B448	CONTROL RM.	EXISTING	*RB	*PTD	EXISTING	*PTD	*PTD	EXISTING	EXISTING		* MATCH EXISTING

FINISH LEGEND:

PROTECTIVE WALL COVERING:
PWC-1 C/S ACRYLIN, PEBBLETTE TEXTURE, .060" THICKNESS, PROVIDE HORIZONTAL & VERTICAL TRIM ACCESSORIES AS REQUIRED FOR COMPLETE INSTALLATION, COLOR: MISSION WHITE

RUBBER BASE:
RB-1 JOHNSONITE, 4" TRADITIONAL COVE BASE, USE MANUFACTURER'S LONGEST AVAILABLE COIL LENGTH, COLOR: 80 FAWN

RUBBER SHEET FLOORING:
RUB-1 NORA, NORAPLAN ENVIRONCARE, 3.0 MM SHEET, HEAT-WELD SEAMS, COLOR: 2784 SILVER CROWN
RUB-2 NORA, NORAPLAN ENVIRONCARE, 3.0 MM SHEET, HEAT-WELD SEAMS, COLOR: 2780 PHANTOM MIST
RUB-3 NORA, NORAPLAN ENVIRONCARE, 3.0 MM SHEET, HEAT-WELD SEAMS, COLOR: 2787 DRIFTWOOD

WOOD (DOORS):
WD MATCH EXISTING WOOD SPECIES, CUT AND FINISH

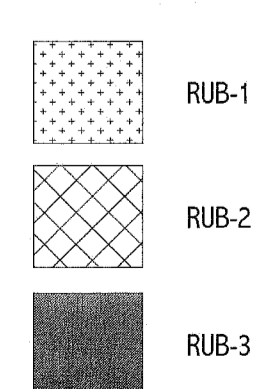
PAINT:
PTD-1 SHERWIN WILLIAMS COLOR MATCH OF: ICI PAINTS, (FIELD), #739 ANTIQUE WHITE
PTD-2 SHERWIN WILLIAMS - (DOOR/WINDOW TRIM), TONY TAUPE, #7038
PTD-3 SHERWIN WILLIAMS COLOR MATCH OF: ICI PAINTS, (ACCENT), #1114 SOUVENIR

PLASTIC LAMINATE:
PLAM-1 PIONITE, HONEY MAPLE, WM951 SUEDE (VERTICAL SURFACES AT CASEWORK, U.N.O.)
PLAM-2 PIONITE, KALE FIBER, AV861 SUEDE (HORIZONTAL SURFACES AT CASEWORK, U.N.O.)

FINISH ABBREVIATIONS:

ACT ACOUSTIC CEILING TILE
CT CERAMIC TILE
CTB CERAMIC TILE BASE
CR CHAIR RAIL
CG CORNER GUARD
FRP FIBERGLASS REINFORCED PLASTIC
FC FLASH COVE
GWB GYPSUM WALL BOARD
PTD PAINT
PLAM PLASTIC LAMINATE
PWC PROTECTIVE WALL COVERING
RCP REFLECTED CEILING PLAN
RB RUBBER BASE
RUB RUBBER SHEET FLOORING
SV SHEET VINYL
SSM SOLID SURFACE MATERIAL
VCT VINYL COMPOSITION TILE
WD WOOD

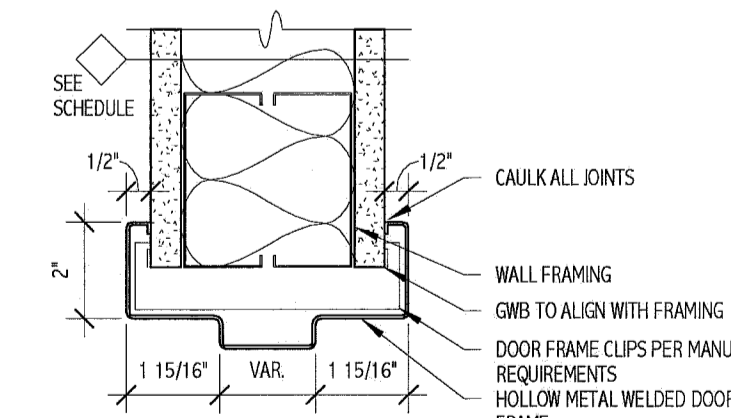
FLOOR MATERIAL LEGEND:



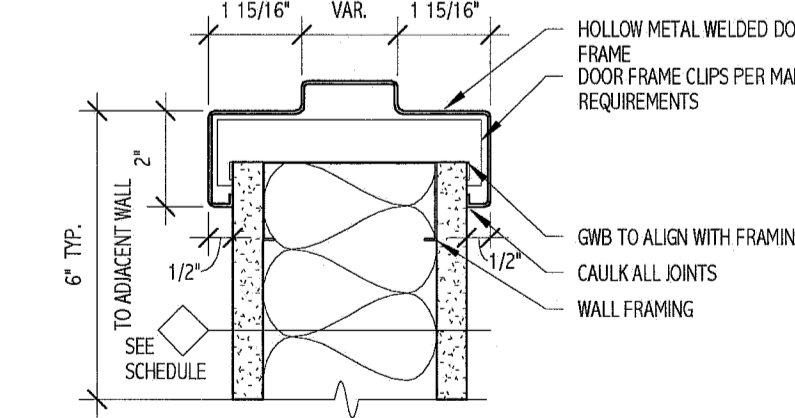
DOOR AND FRAME SCHEDULE (Biplane)															
DOOR #	DOOR			FRAME										FIRE RATING	REMARKS
	WIDTH	HEIGHT	THICK	MAT'L	ELEV	GLAZ	MAT'L	ELEV	HEAD	JAMB	SILL	HARDWARE SET			
B446A	7' - 0"	7' - 0"	1 3/4"	WD	F	-	HM	1	6/A-600	7/A-600	-	HW-1	-		
B446B	3' - 0"	7' - 0"	1 3/4"	WD	F	-	HM	1	6/A-600	7/A-600	-	HW-1	-		
B446C	EXISTING	EXISTING	EXISTING												
B448A	EXISTING	EXISTING	EXISTING												
B448B	EXISTING	EXISTING	EXISTING											ADD S.S. KICK PLATE ON BOTH SIDES	

DOOR HARDWARE:

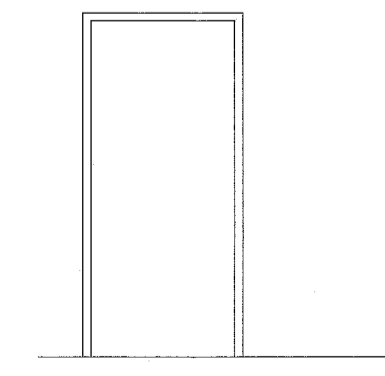
HW-1 (STORAGE) - HINGES, LOCKSET (STORAGE FUNCTION), CLOSER, STOP, ARMOR PLATE (PROCEDURE ROOM SIDE), PROVIDE FLOOR & HEADER FLUSH BOLTS AT INACTIVE LEAFS. PROVIDE CLOSERS AT INACTIVE LEAFS.



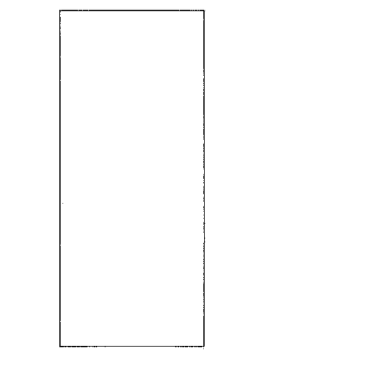
6 DOOR HEAD DETAIL
3" = 1'-0"



7 DOOR JAMB DETAIL
3" = 1'-0"



8 DOOR FRAME TYPES
1/4" = 1'-0"



9 DOOR LEAF TYPES
1/4" = 1'-0"

DOOR NOTES:

- ALL SWING DOORS SHALL BE 1-3/4" THICK UNLESS OTHERWISE NOTED.
- ALL DOORS SHALL BE 3/4" UNDERCUT (TYP.) EXCEPT WHEN THERE IS A BOTTOM FRAME, SILL, THRESHOLD OR SPECIFICALLY NOTED OTHERWISE.
- ALL DOORS WITH BOTTOM FRAMES OR SILL THRESHOLDS SHALL HAVE MANUFACTURERS RECOMMENDED STANDARD UNDERCUT.
- PROVIDE MMC STANDARD DOOR HARDWARE SYSTEMS & MANUFACTURERS.
- PROVIDE WALL STOPS WHEREVER POSSIBLE. WHERE NOT POSSIBLE, REVIEW FLOOR STOP LOCATIONS WITH OWNER.

144 Free Street, Box 68
Portland, Maine 04104
Tel: (207) 772-3446
Fax: (207) 772-1070
www.smrtinc.com

ARCHITECTURE
ENGINEERING
PLANNING
INTERIOR DESIGN
COMMISSIONING

SMRT

LICENSED ARCHITECT
DEREK J. VEILLEUX
No. 3185
STATE OF MAINE
6.14.11

PROJECT NORTH

Bramhall Radiology
ANGIO BI-PLANE RENOVATIONS
PORTLAND, ME

ISSUED FOR CONSTRUCTION
06.14.11

GRAPHIC SCALE:
0" 1"

SCALE: As Indicated

PROJECT MANAGER: D.V.

IC DRAWN BY: ART

A/E OF RECORD: D.V.

PROJECT NO.: 11011

DATE: 06.14.11

SHEET TITLE:
INTERIOR FINISHES,
SCHEDULES &
DETAILS

SHEET No. A-600