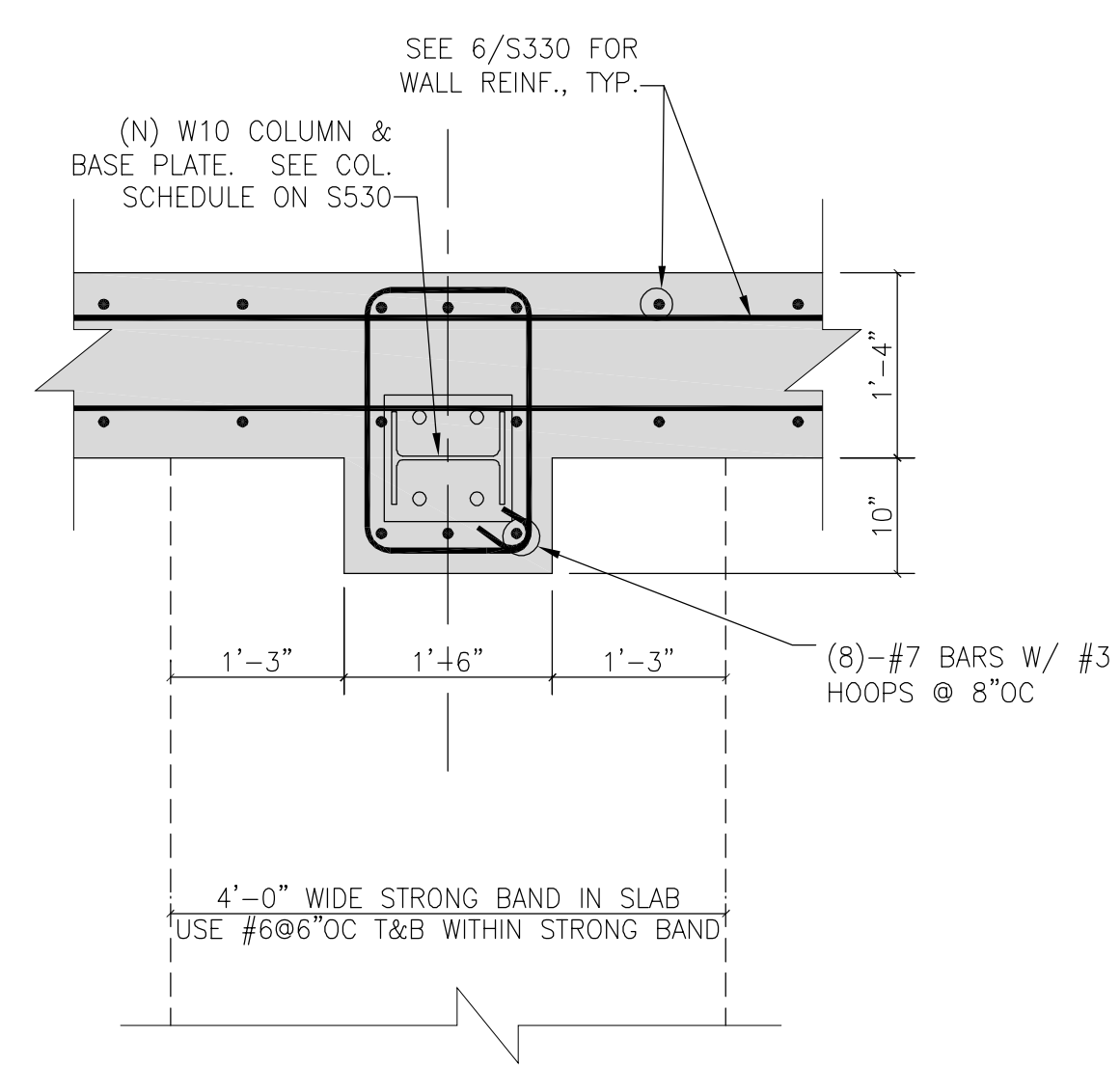
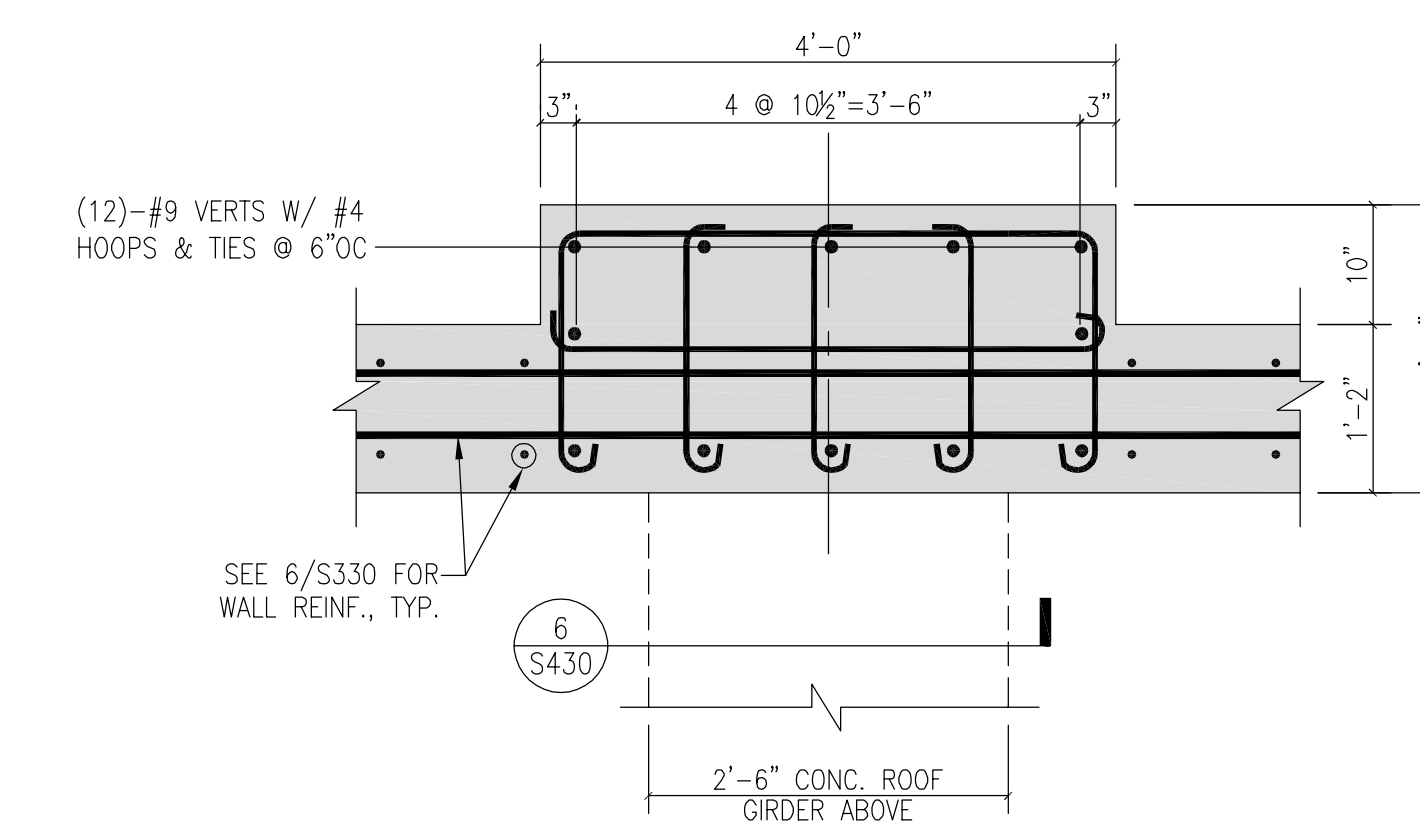


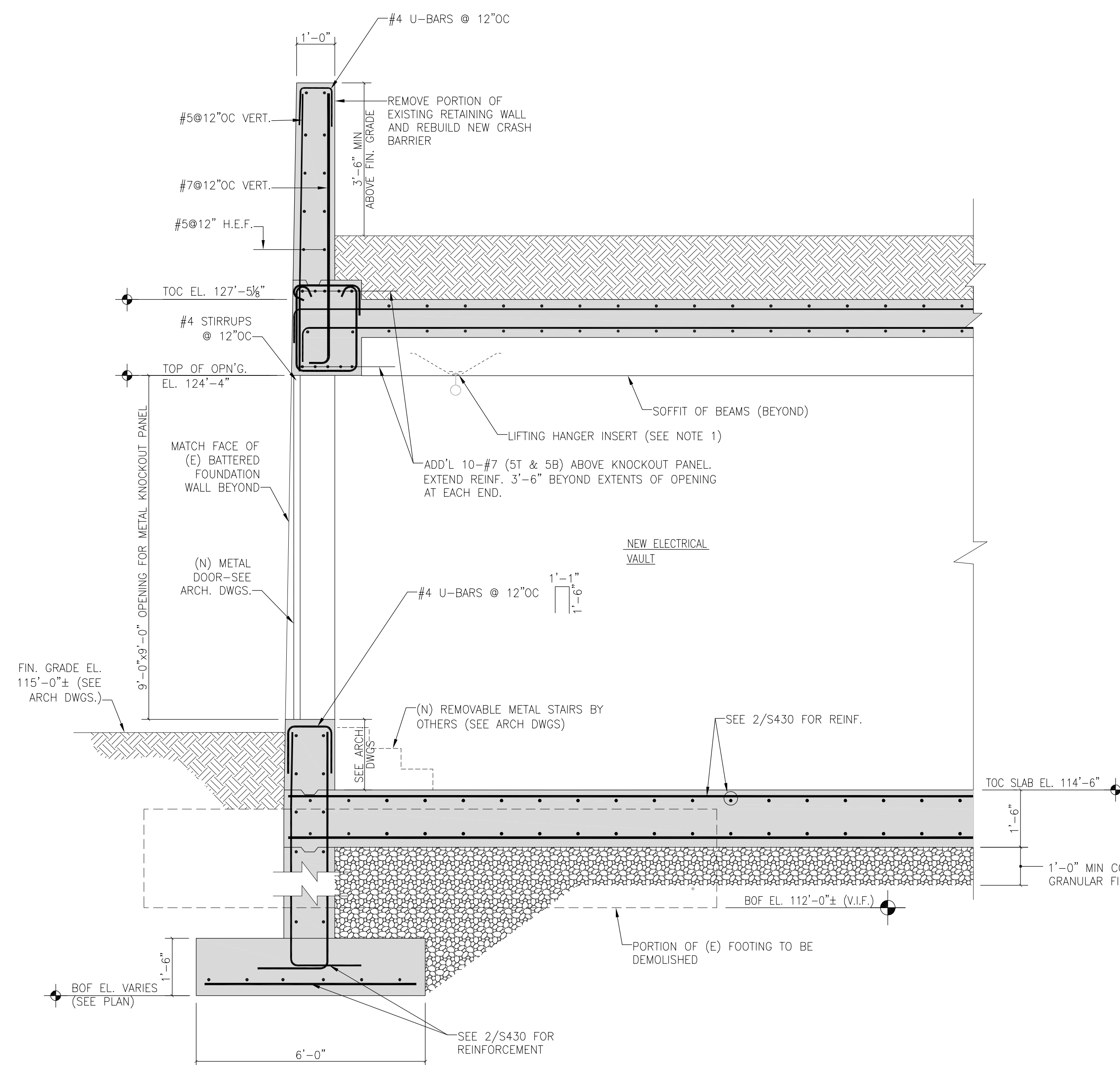
1 SECTION THRU NEW CIP CONCRETE GRADE BEAM GRID LINE "D.6" 3/4" = 1'-0"



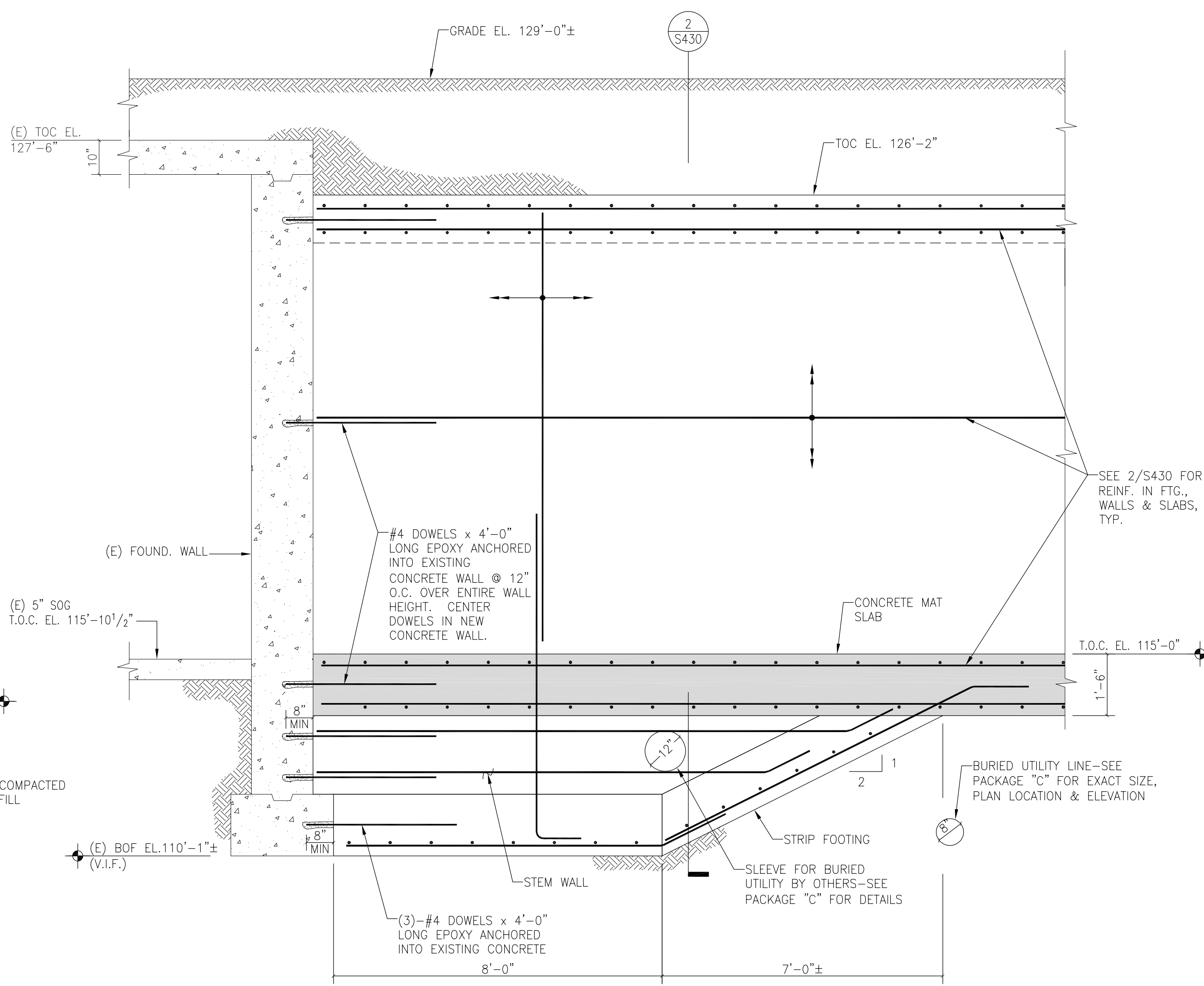
2 PLAN DETAIL: PILASTER FOR NEW STEEL COLUMN 3/4" = 1'-0"



3 PLAN DETAIL: PILASTER IN ELECTRICAL VAULT TO SUPPORT ROOF GIRDER 3/4" = 1'-0"



10 SECTION THROUGH KNOCK-OUT WALL PANEL @ ELECTRICAL VAULT 1/2" = 1'-0"



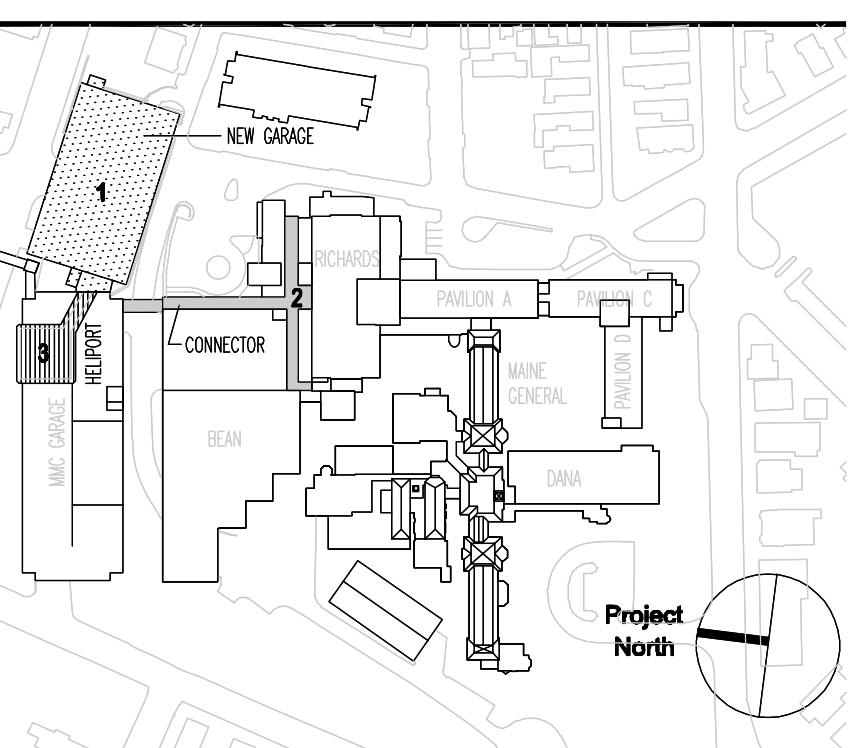
11 ELEVATION OF SOUTH SIDE OF TUNNEL @ INTERFACE WITH BEAN BUILDING 1/2" = 1'-0"

General Notes:
 1. CONTRACTOR TO PROVIDE EMBEDDED INSERTS IN TWO ADJACENT ROOF BEAMS CAPABLE OF SUPPORTING 2500 LBS. EACH. SHOW INSERTS ON REBAR SHOP DRAWINGS.

SGH
 Simpson Gumpertz & Heger Inc.

Consulting Engineers
 Boston, MA 41 Bayon Street, Telephone: (781) 307 9000
 Building 1, Suite 500 Facsimile: (781) 307 9009
 Waltham, MA 02453
 San Francisco, CA The Landmark at One Market Telephone: (415) 398 3700
 Suite 600 San Francisco, CA Facsimile: (415) 398 3650
 94105
 Washington, DC 1555 Piccard Drive Telephone: (301) 417 0999
 Suite 320 Rockville, MD Facsimile: (301) 417 9825
 20880

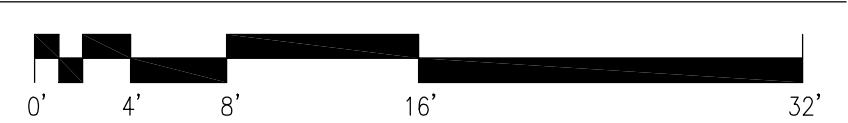
MARK	ISSUE DATE	DESCRIPTION
PERMIT	09/16/04	PERMIT SET
BID	08/26/04	BID SET
Issue Log		



TRO
 ARCHITECTURE
 PLANNING
 ENGINEERING
 INTERIOR DESIGN
 The Ritchie Organization
 80 Bridge Street
 Newton, MA 02458-1154
 617-669-9400

Maine Medical Center
 Pkg F - Garage / Vault / Conn / Heliport
 Portland, ME MMC Project No. 21845

Drawing Title
LOBBY CONNECTOR FOUNDATION SECTIONS AND DETAILS



Commission No. 4678 Date Issued 08/26/04
 Scale AS NOTED Sheet Number PKG-F
 Drawn By SWW
 Approved By JHT/JJJ
 Titleblock S330
 S431
 Copyright © 2004 The Ritchie Organization