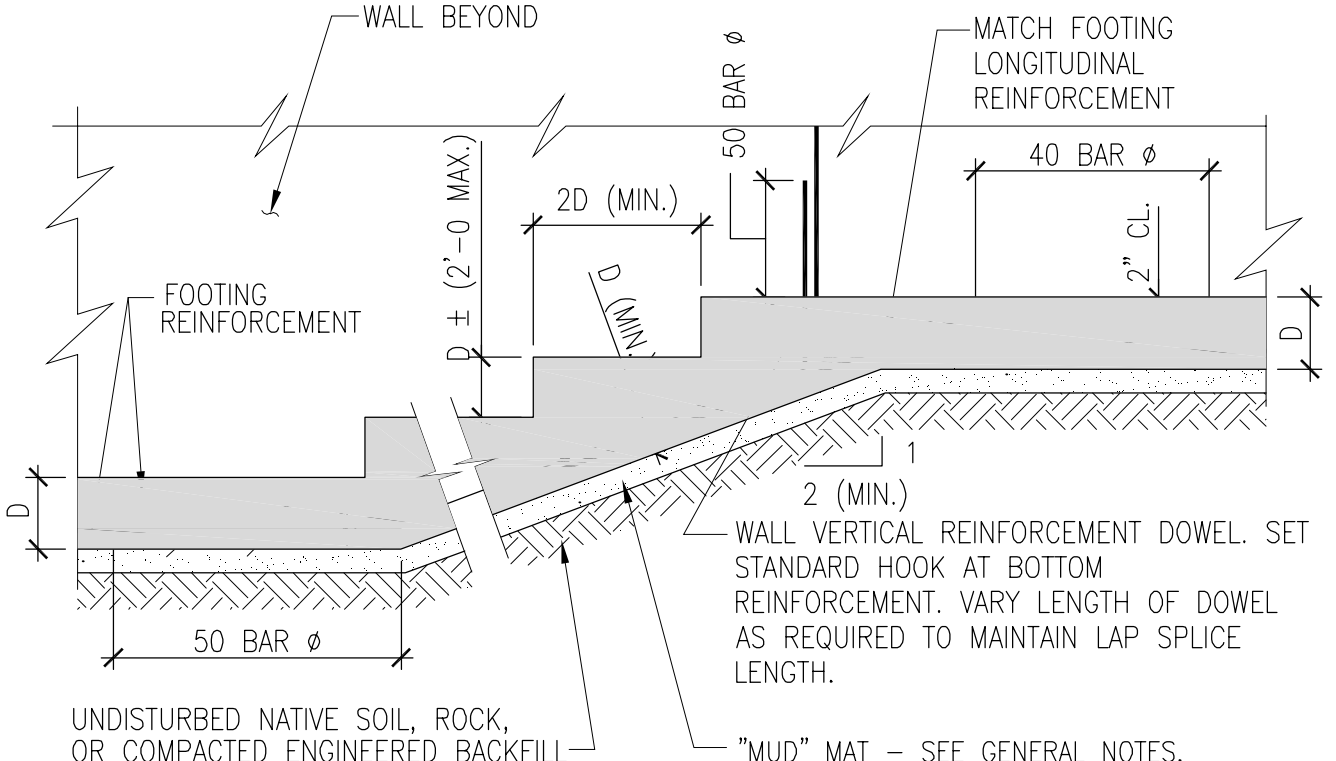
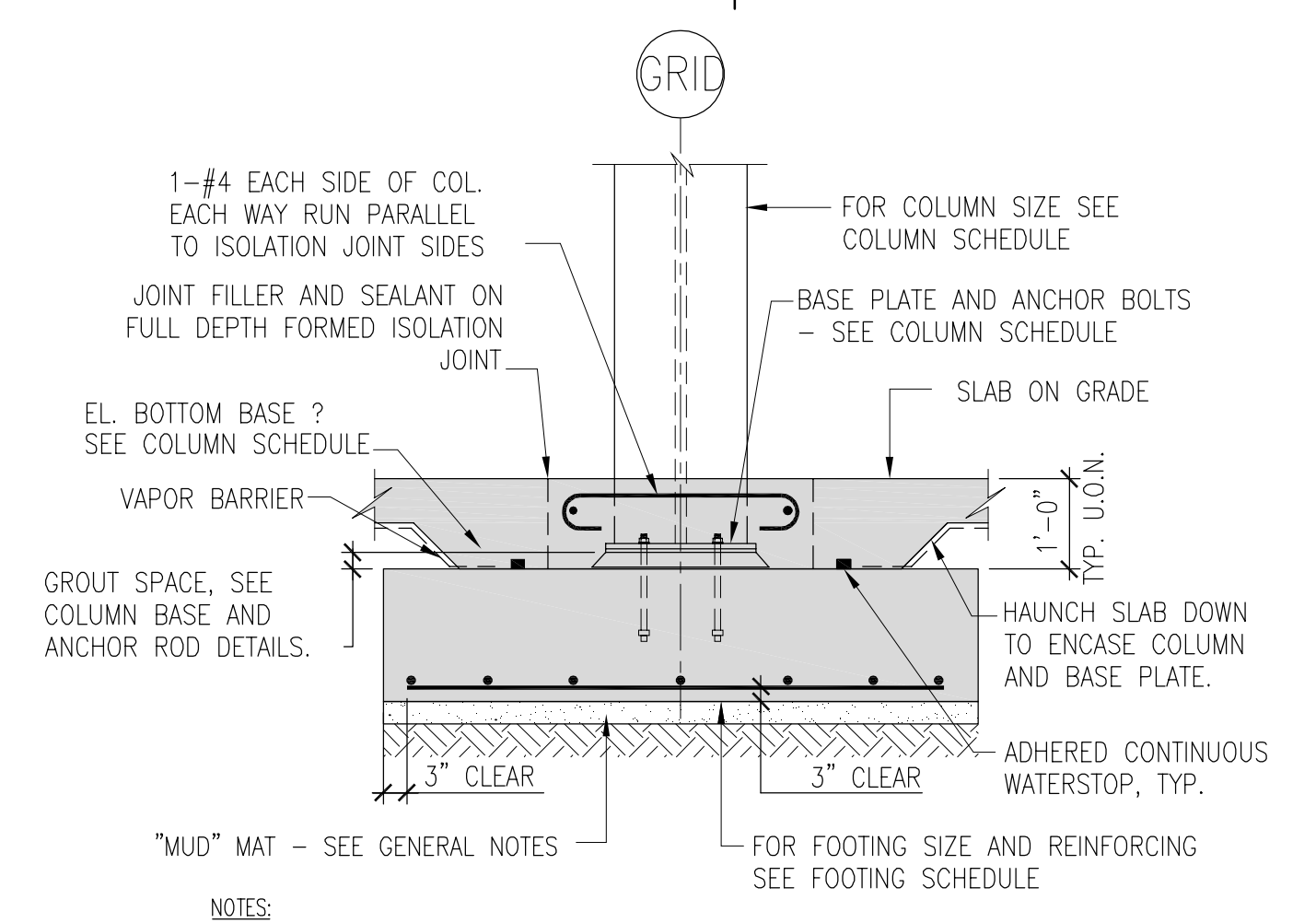


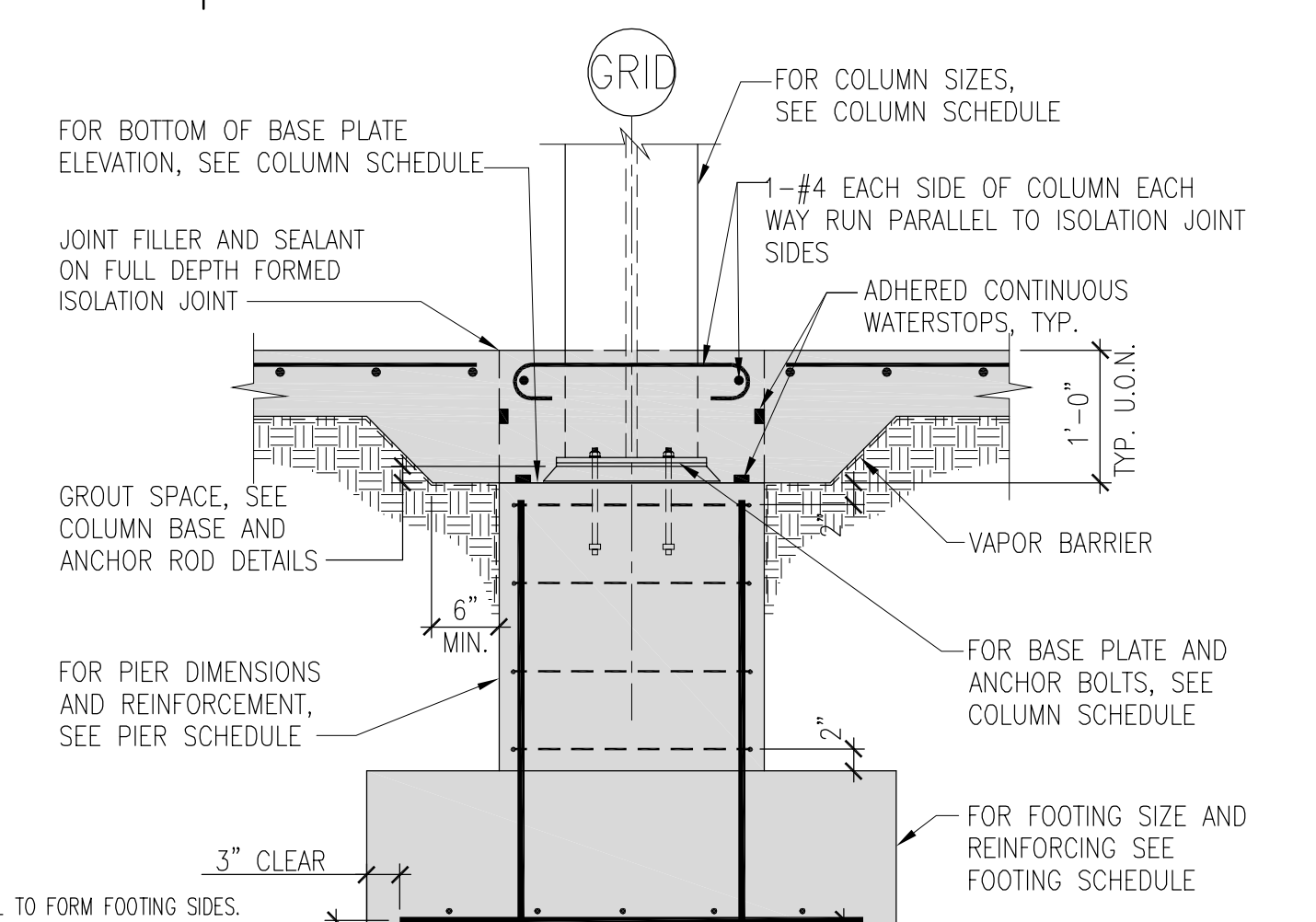
TC-1 TYPICAL CONCRETE WALL CORNER REINFORCEMENT 3/4" = 1'-0"



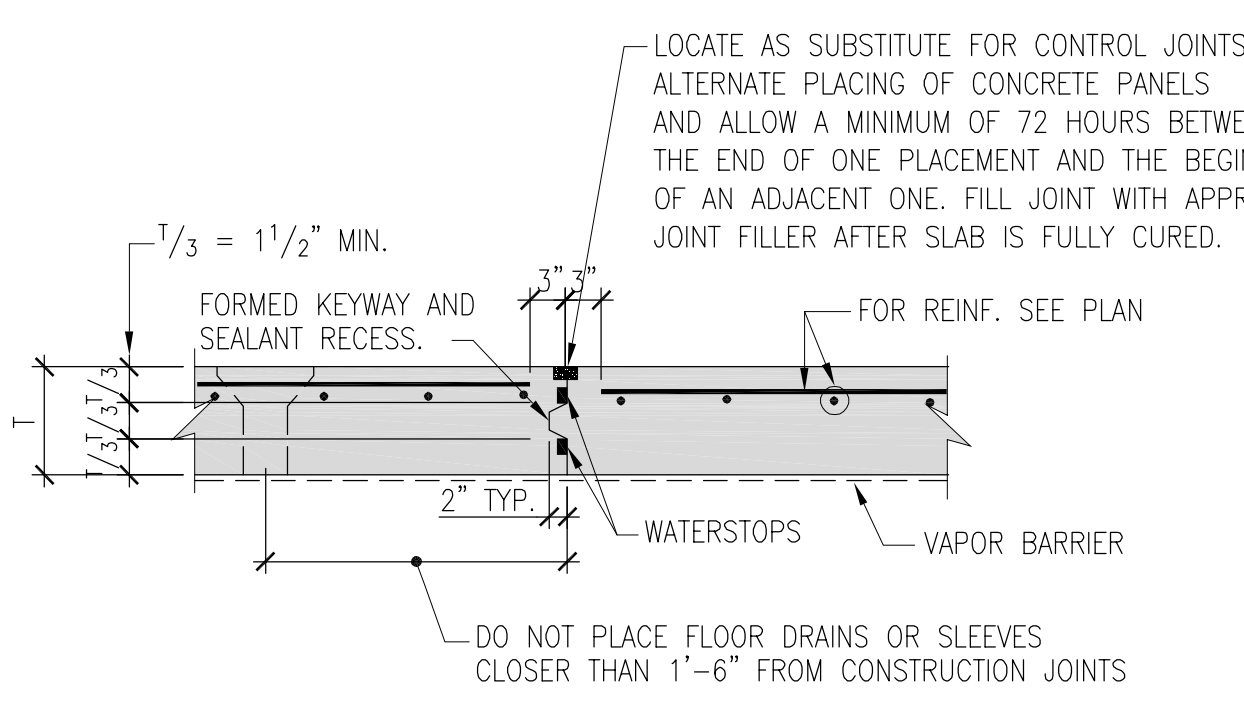
TC-2 CONTINUOUS STEPPED WALL FOOTING 3/4" = 1'-0"



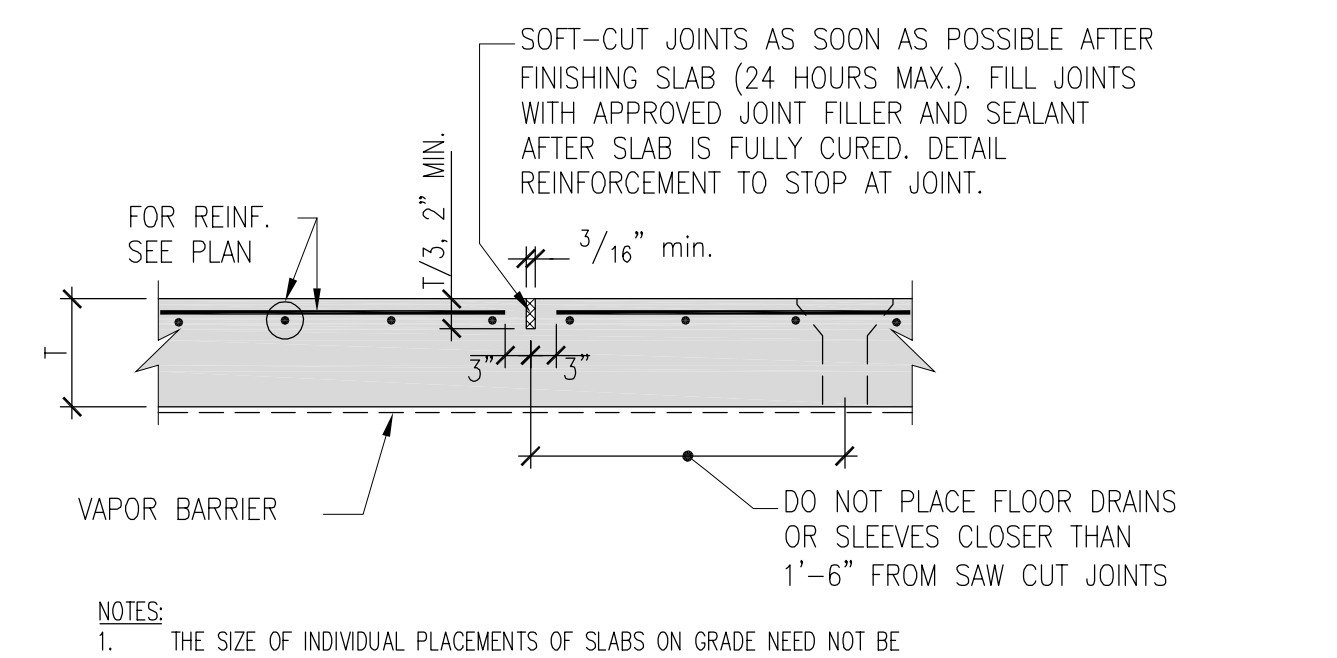
TC-3 INTERIOR COLUMN FOOTING DETAIL 3/4" = 1'-0"



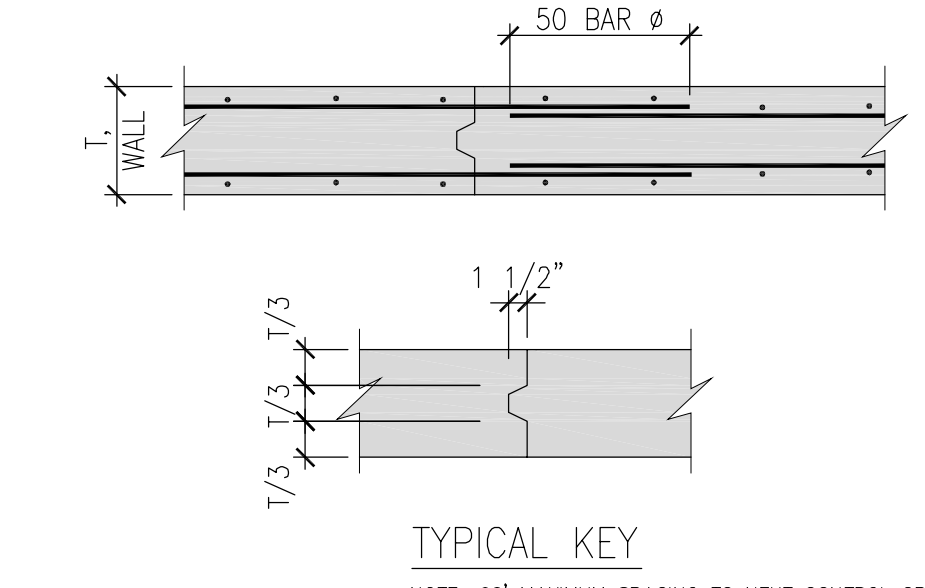
TC-4 TYPICAL COLUMN PEDESTAL 3/4" = 1'-0"



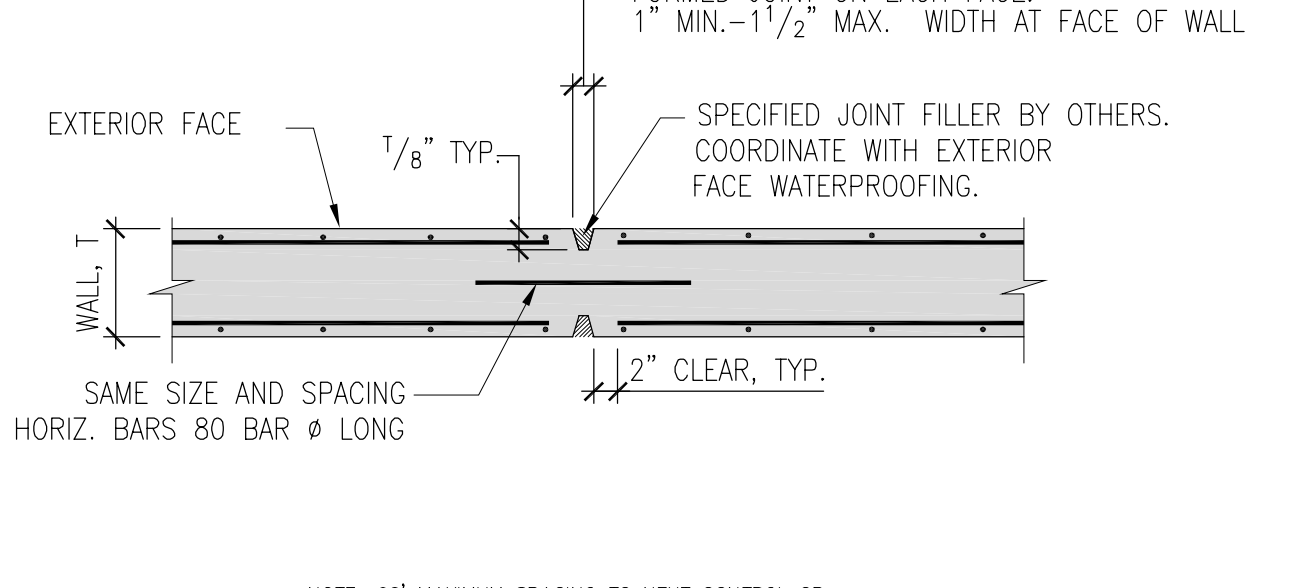
TC-5 CONSTRUCTION JOINT IN SLAB ON GRADE 3/4" = 1'-0"



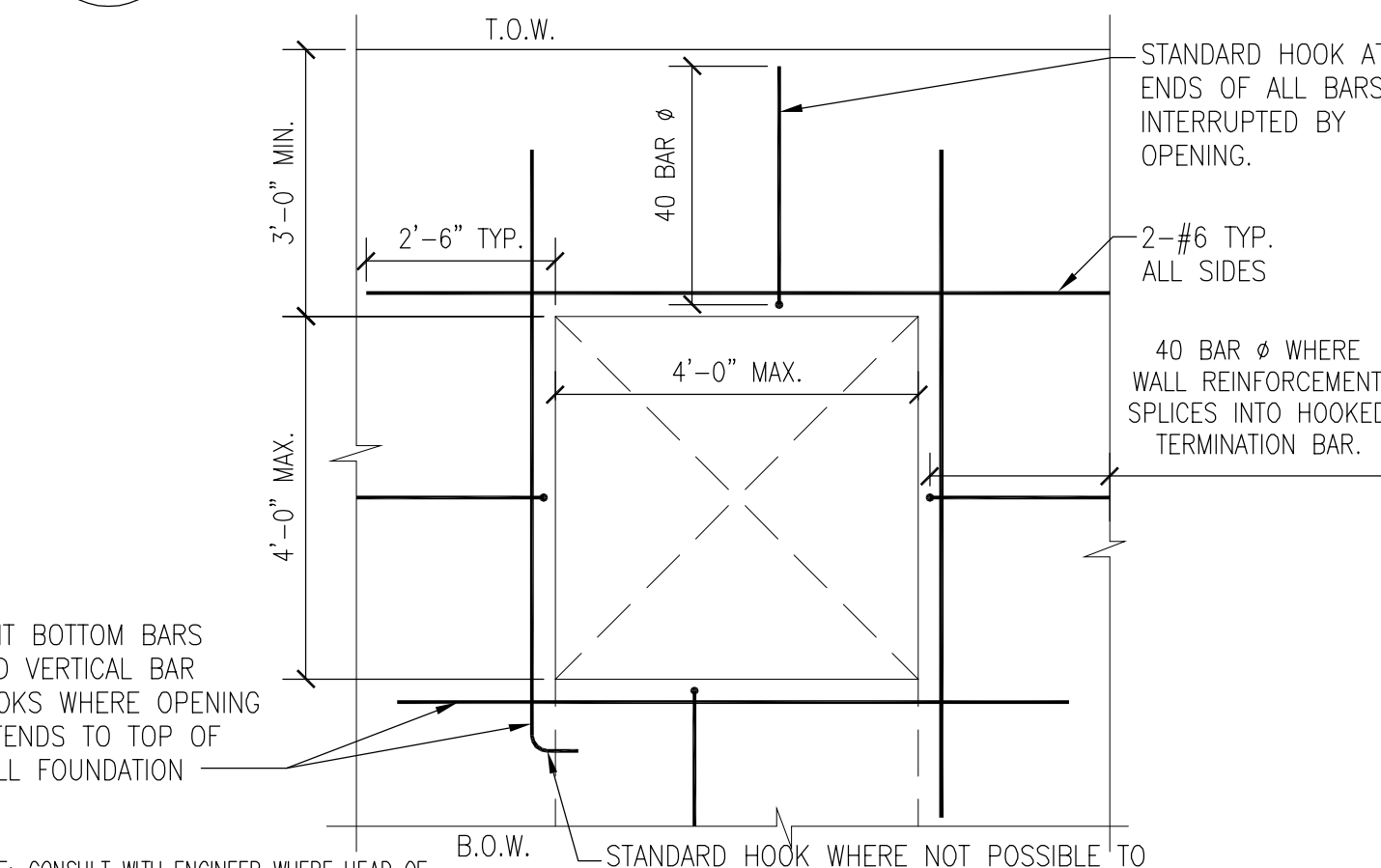
TC-6 CONTROL JOINT IN SLAB ON GRADE 3/4" = 1'-0"



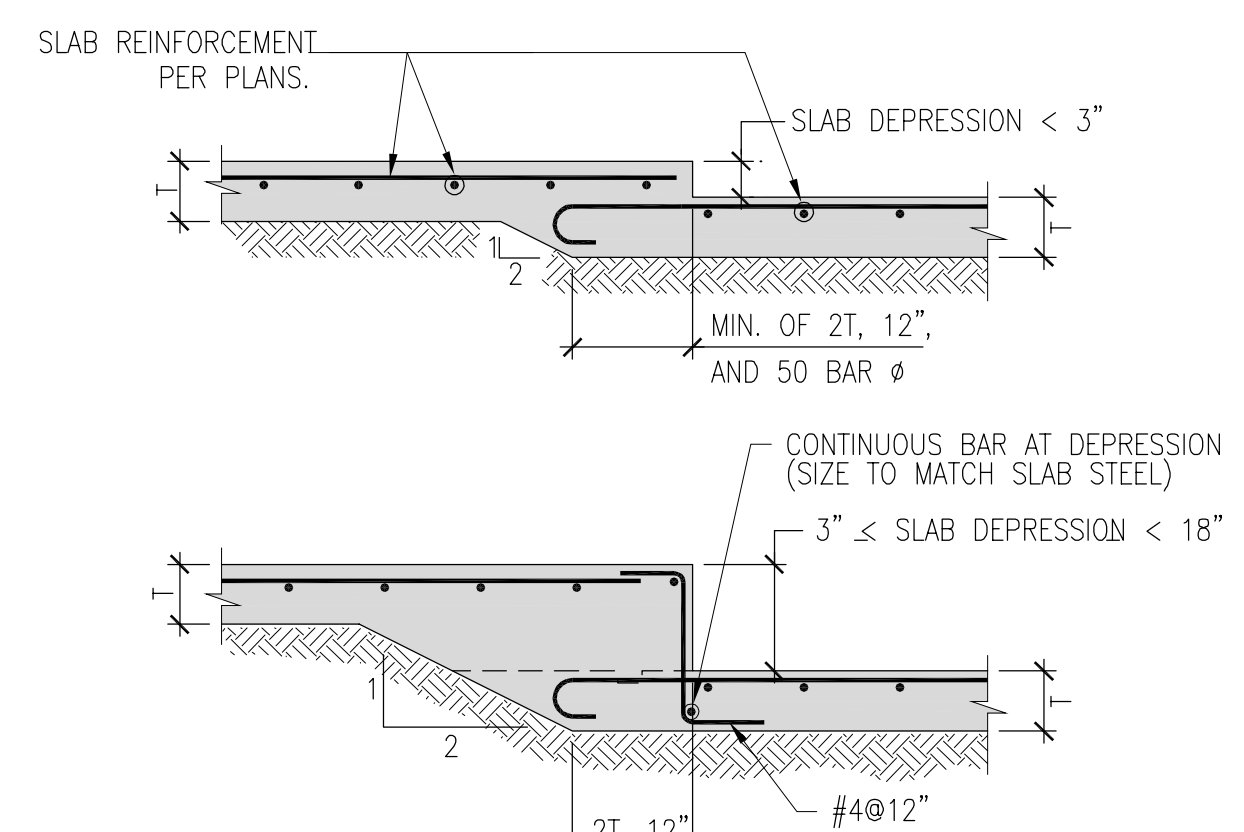
TC-7 CONSTRUCTION JOINT IN CONCRETE WALL 3/4" = 1'-0"



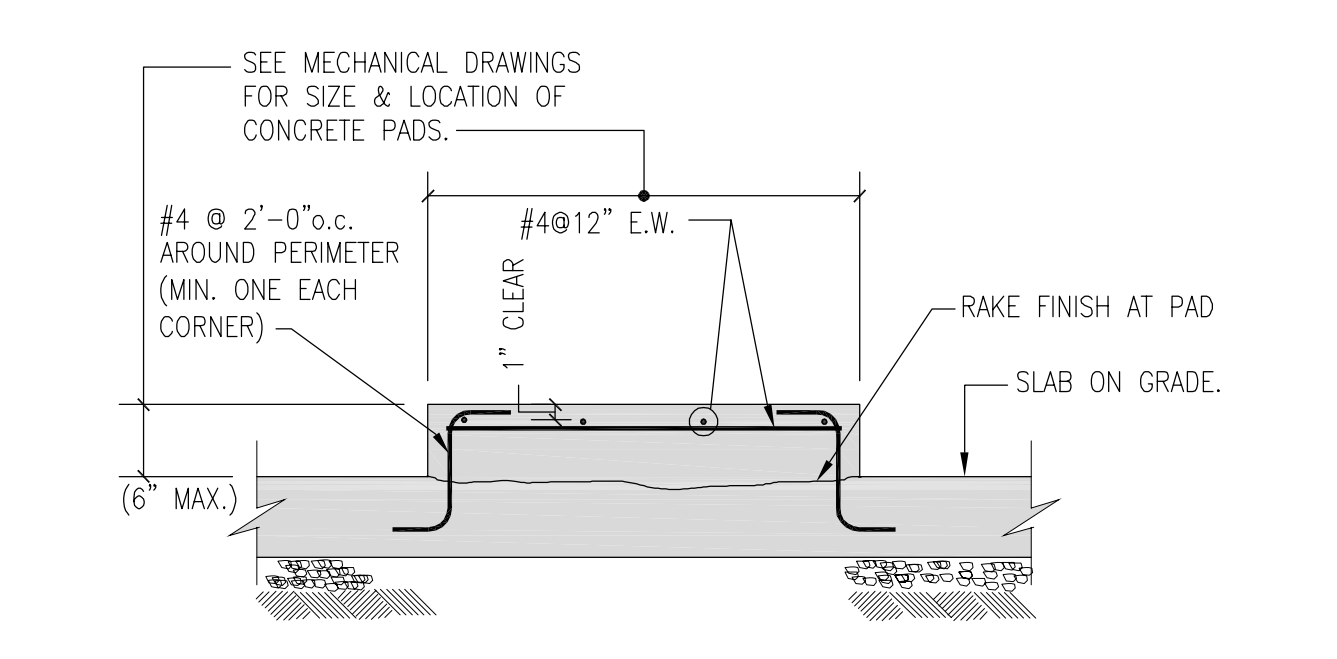
TC-8 CONTROL JOINT IN CONCRETE WALL 3/4" = 1'-0"



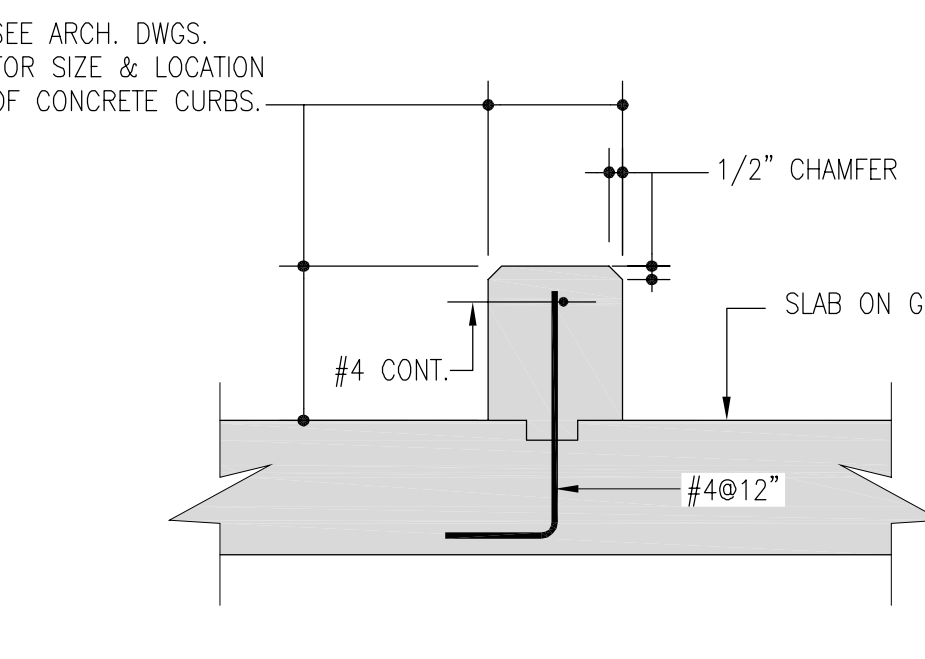
TC-9 TYPICAL REINFORCEMENT AT OPENINGS IN WALLS 1/2" = 1'-0"



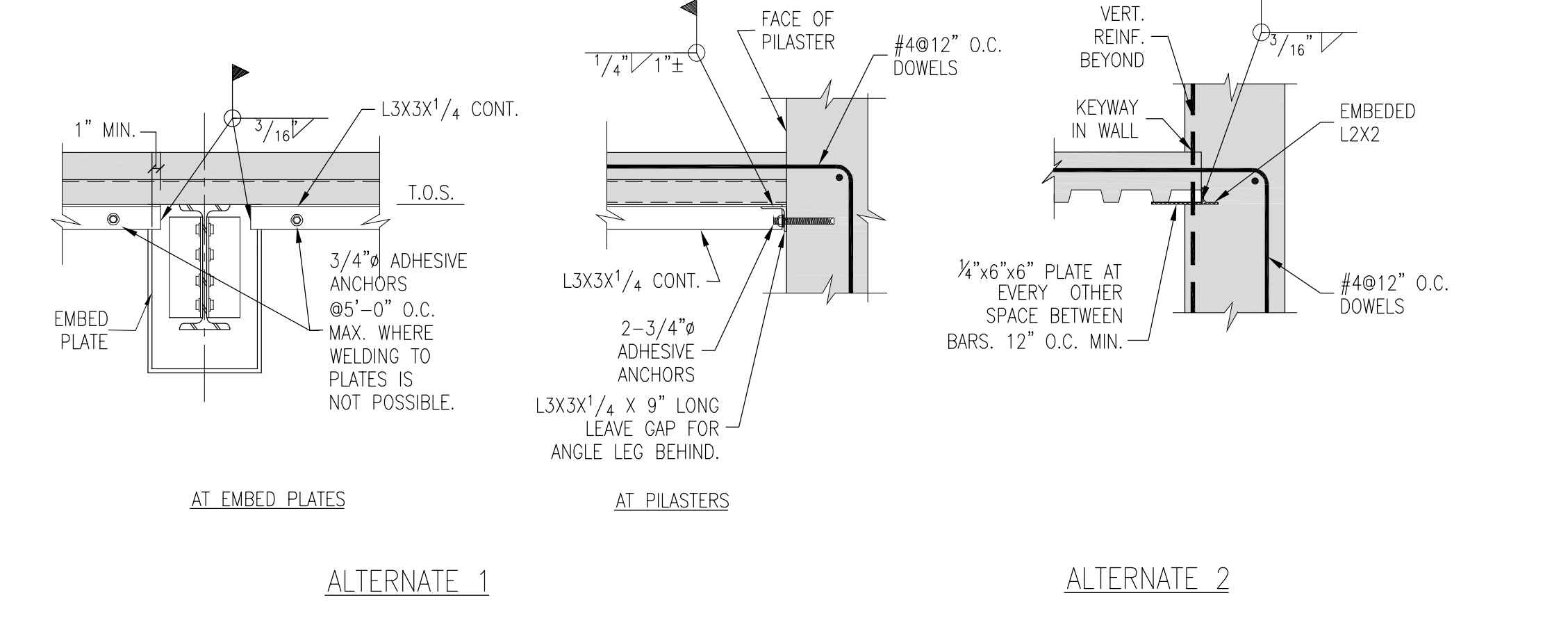
TC-10 SLAB DEPRESSION DETAILS 3/4" = 1'-0"



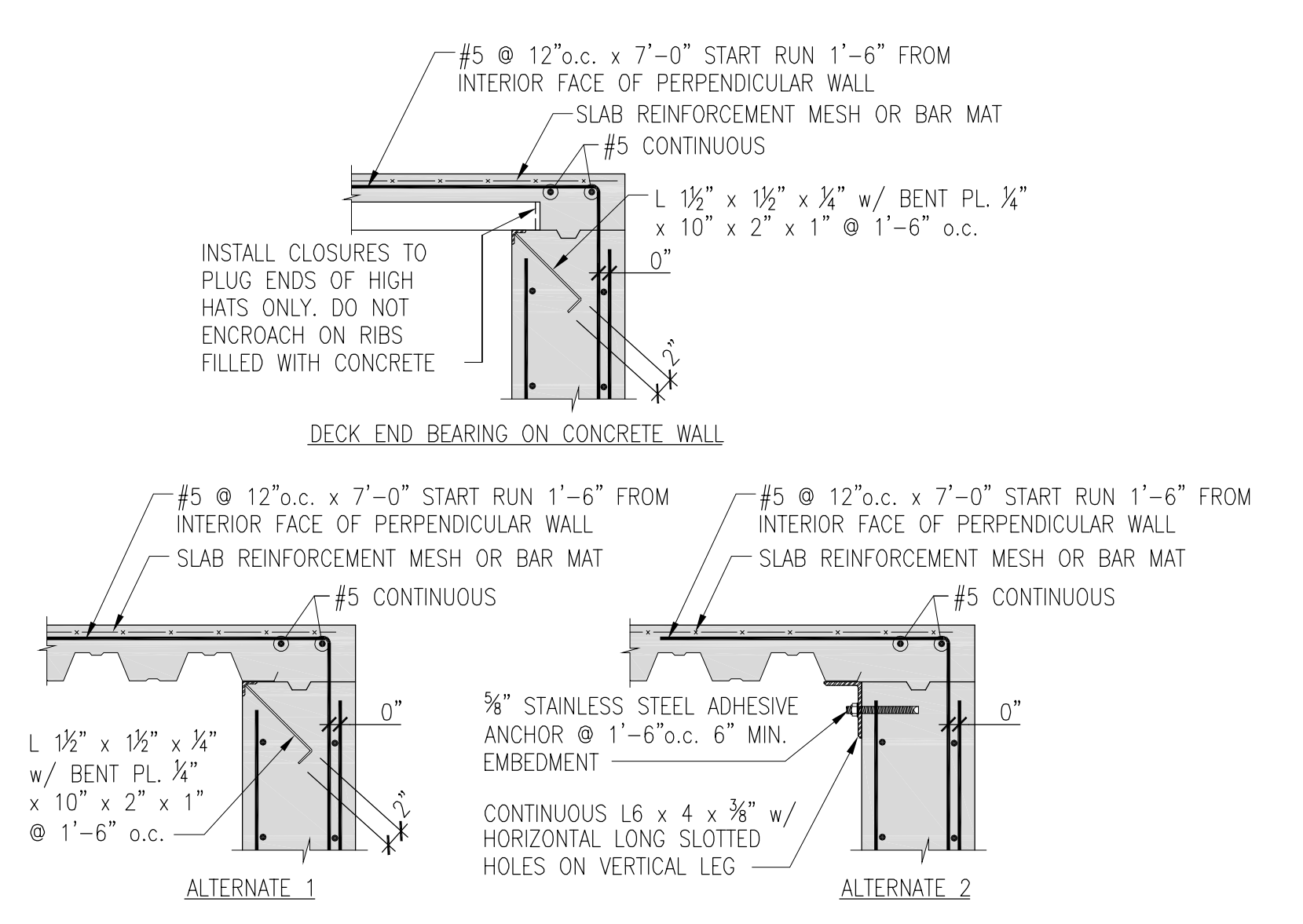
TC-11 TYPICAL CONCRETE PAD DETAIL AT SLAB ON GRADE 3/4" = 1'-0"



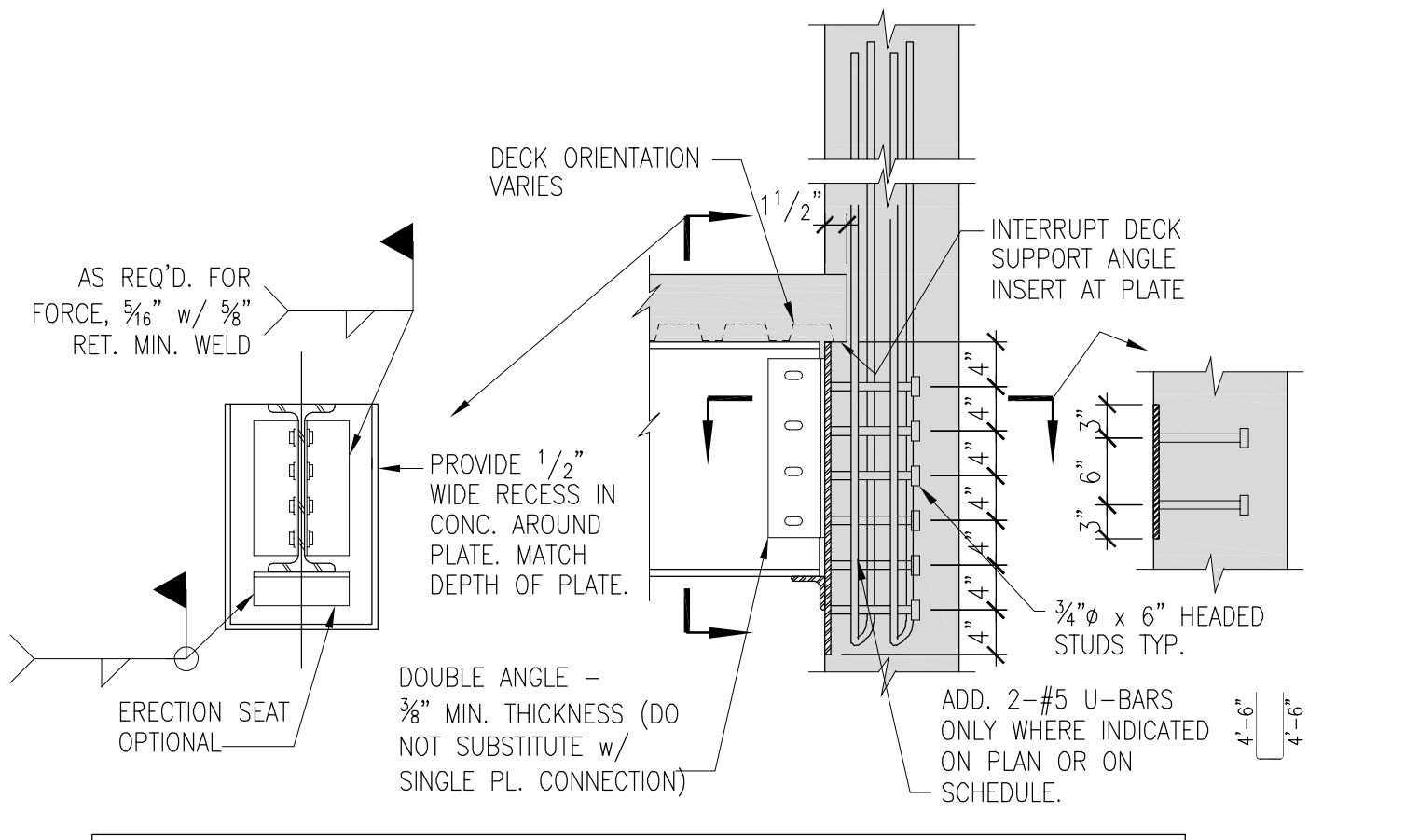
TC-12 CONCRETE CURB DETAIL AT SLAB ON GRADE 3/4" = 1'-0"



TC-13 DECK SUPPORT DETAILS ALONG FOUNDATION WALLS 3/4" = 1'-0"

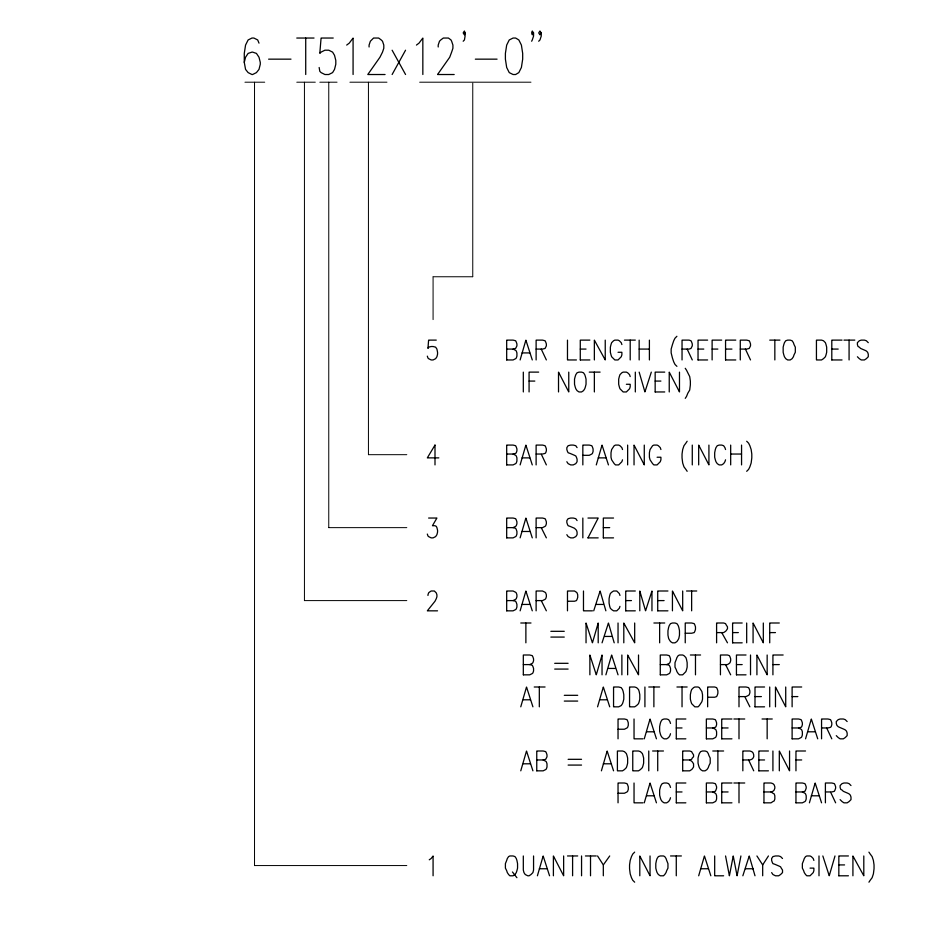


TC-14 METAL DECK SUPPORTED SLAB TO CONC. WALL 3/4" = 1'-0"

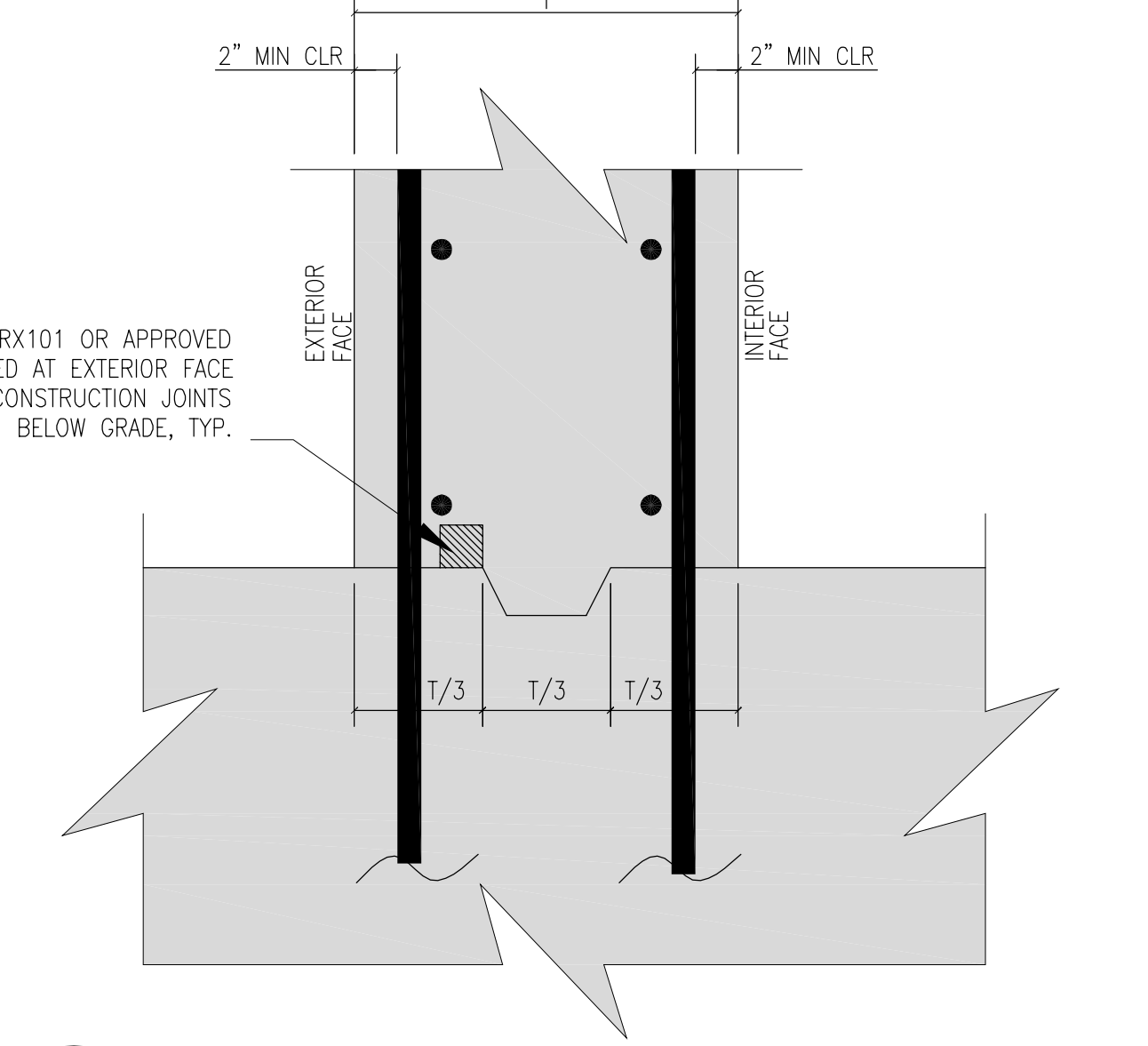


TC-15 STEEL BEAM TO STEEL PLATE EMBEDDED IN CONCRETE [DETAIL AND SCHEDULE] 3/4" = 1'-0"

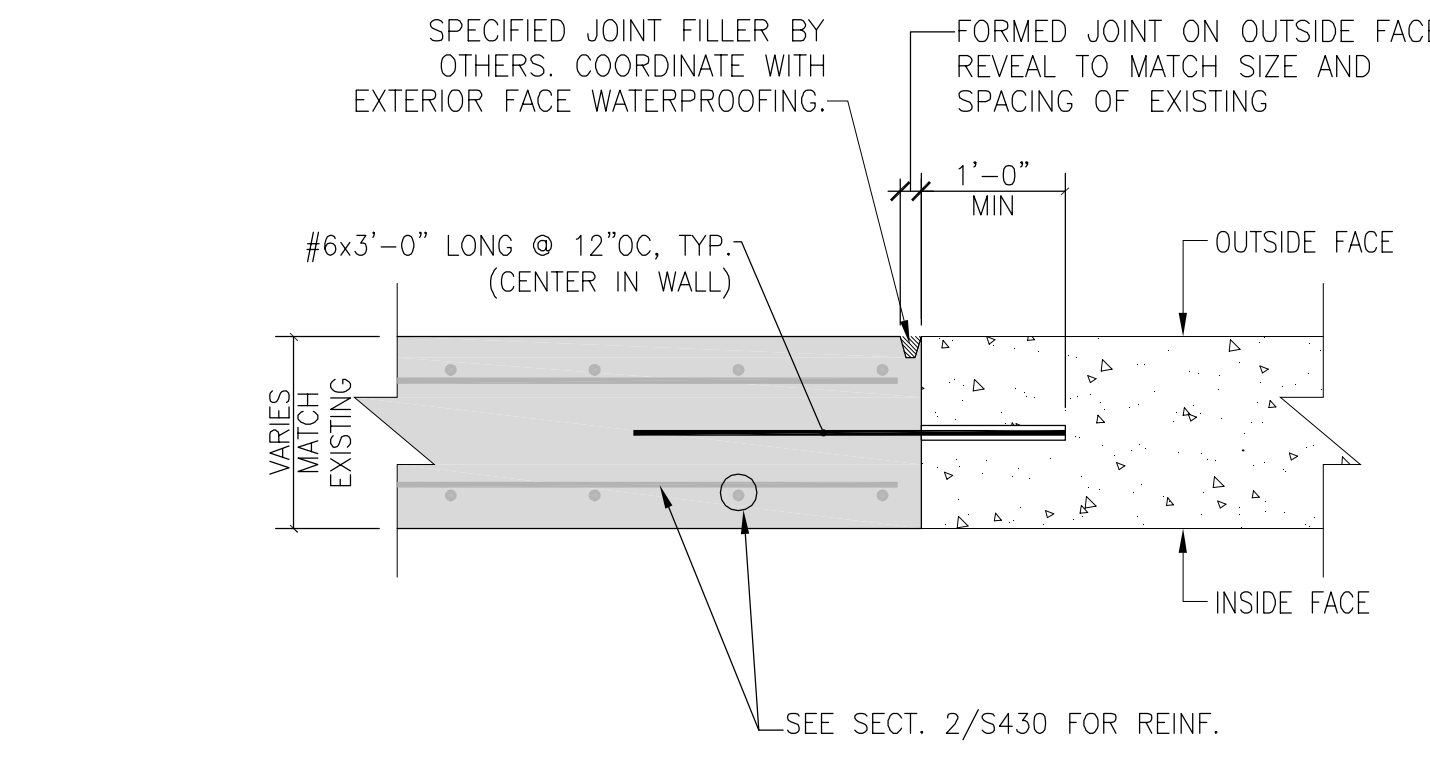
EMBEDMENT PLATE SCHEDULE				
MARK	PL. THICKNESS	SIZE	# OF STUDS	COMMENTS
	1/2"	12	1'-8"	8 UP TO 18" DEEP BEAM
	1/2"	12	2'-6"	12 UP TO 24" DEEP BEAM
	3/4"	12	2'-10"	14 UP TO 30" DEEP BEAM



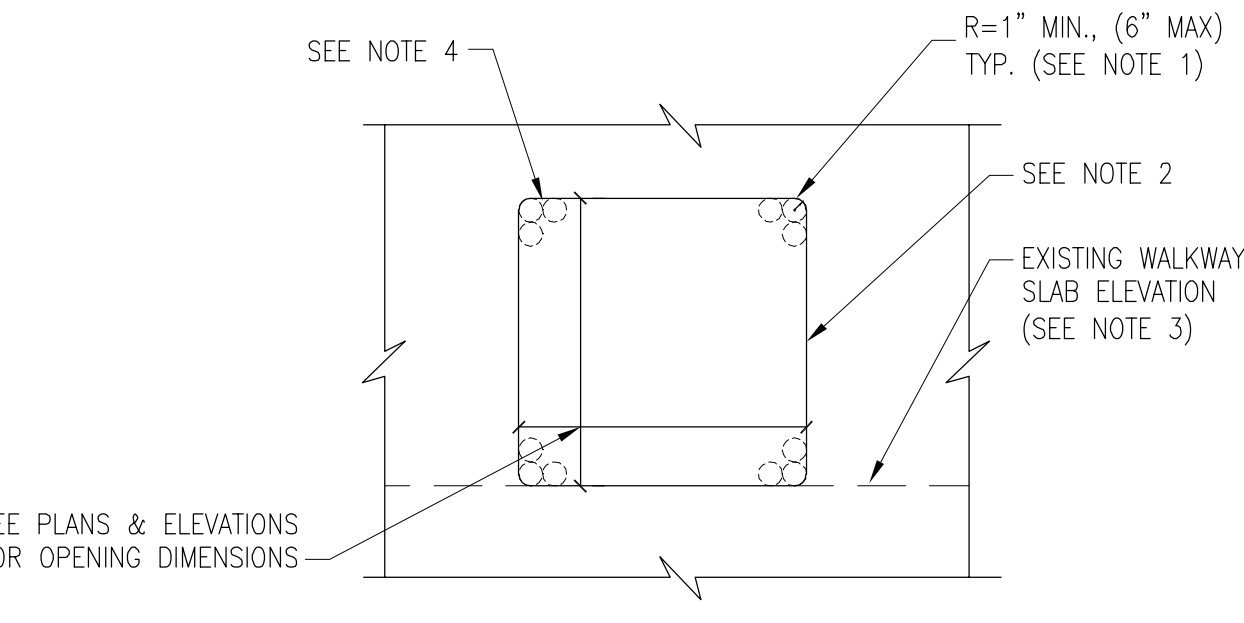
TC-16 TYPICAL REINFORCING BAR LEGEND N.T.S.



TC-17 SECTION: CONSTRUCTION JOINT BELOW GRADE 1 1/2" = 1'-0"



TC-18 TYPICAL DETAIL AT BATTERED FOUNDATION WALL NEW TO EXISTING 3/4" = 1'-0"

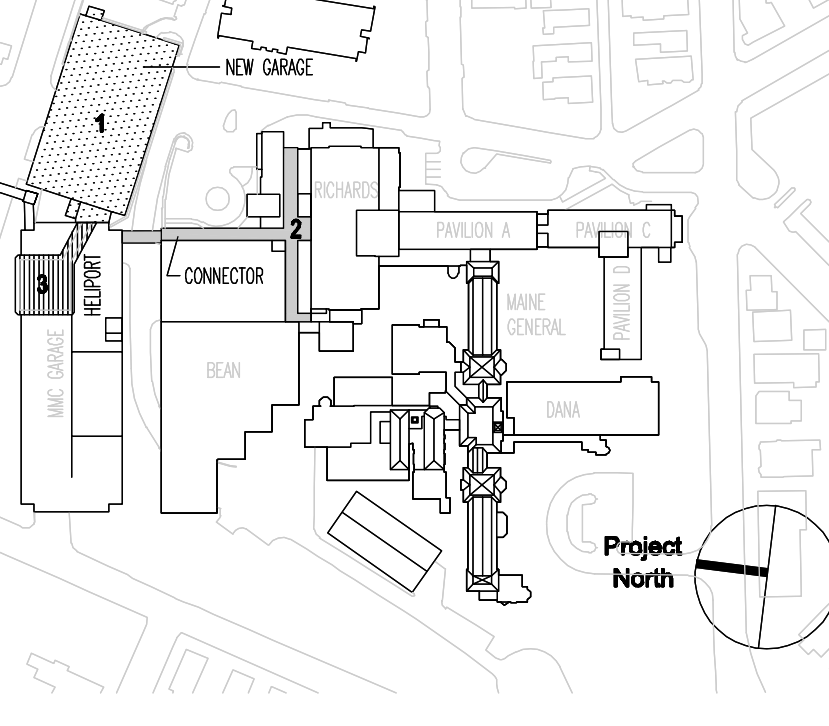


TC-19 OPENING CUT IN EXISTING REINF. CONCRETE WALL N.T.S.

**SGH**  
Simpson Gumpertz & Heger Inc.  
Consulting Engineers  
Boston, MA 41 Bayon Street, Suite 600, Telephone: (781) 907-9000  
Fax: (781) 907-9009  
San Francisco, CA The Landmark at One Market, Suite 400, Telephone: (415) 498-3700  
Fax: (415) 498-3550  
Washington, DC 1885 Ploard Drive, Suite 225, Telephone: (301) 417-0999  
Rockville, MD 20850, Fax: (301) 417-9825

MARK	ISSUE DATE	DESCRIPTION
PERMIT	09/16/04	PERMIT SET
BID	08/26/04	BID SET

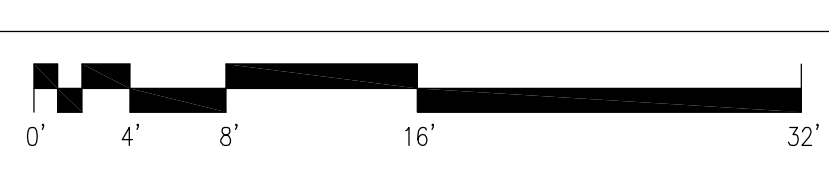
Issue Log



**TRO**  
ARCHITECTURAL PLANNING ENGINEERING INTERIOR DESIGN  
The Ritchie Organization  
80 Bridge Street, Newton, MA 02458-1154  
617-869-9400

**Maine Medical Center**  
Pkg F - Garage / Vault / Conn / Heliport  
Portland, ME MMC Project No. 21845

**TYPICAL CONCRETE DETAILS**



Commission No.	4678	Date Issued	08/26/04
Scale	3/4" = 1'-0"	Sheet Number	PKG-F S101
Drawn By	SWW	Approved By	JH7/JJZ
Designer			

Copyright © 2004 The Ritchie Organization