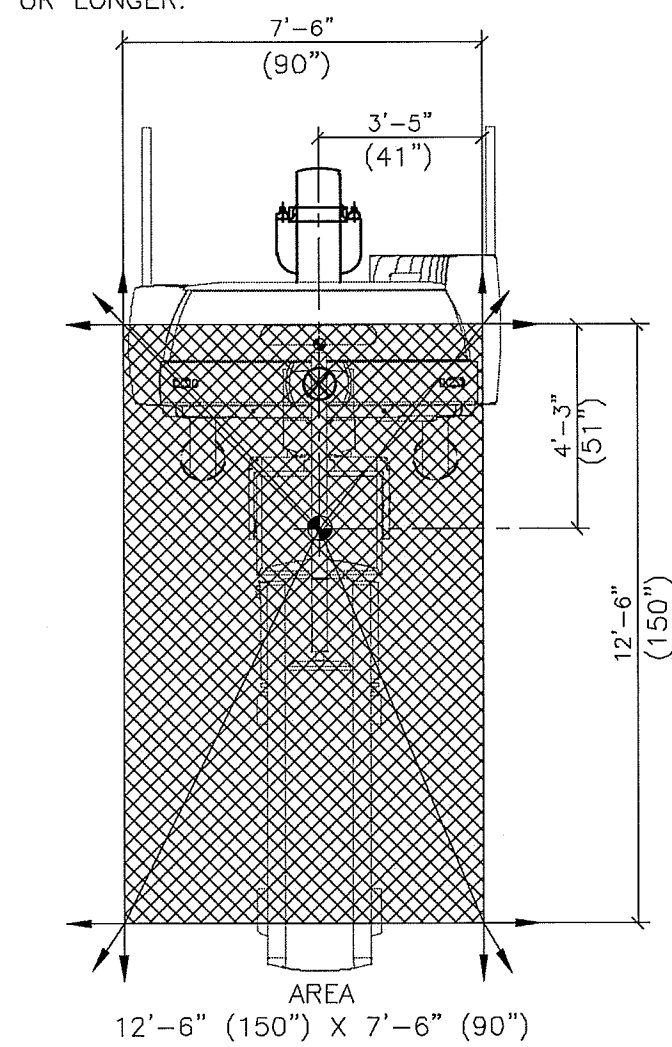


### FLOOR REQUIREMENTS

- 1) THE MINIMUM ALLOWABLE CONCRETE THICKNESS FOR NONSEISMIC REGIONS OF THE SCANNER ROOM FLOOR IS 4".
- 2) CONDITIONS OF FLOORING:
  - VIBRATION FREE LOCATION AS FOUND IN A TYPICAL CLINICAL ENVIRONMENT.
  - INSTALLATION OF THE GANTRY AND PATIENT TABLE ON:
    - CONCRETE FLOORING CLASS C20/25 TO C50/60.
    - COMPOSITE FLOORING OR ACCESS FLOOR WITH SUITABLE ON SITE MOUNTING FRAME, SUB CONSTRUCTION, OR EQUIVALENT STRUCTURE.
- 3) WEIGHT CAPACITY OF FLOORING SHOULD BE TESTED BY A STRUCTURAL ENGINEER.
- 4) ANY FLOORING OTHER THAN LISTED ABOVE REQUIRES AN ON SITE FRICTION FREE SUB CONSTRUCTION MADE FROM STEEL IN THE AREAS OF SUPPORT. PLEASE CONSULT STRUCTURAL ENGINEER.
- 5) THE MINIMUM EXTRACTION FORCE FOR THE POINTS WHERE THE PATIENT TABLE IS ATTACHED IS 610 LBF. PER ANCHOR.
  - INSTALLATION ON A FLOATING FLOOR WITHOUT SUB-CONSTRUCTION IS PROHIBITED.
- 6) THE BASE FRAME FOOT PADS ARE MOUNTED TO THE FLOOR USING (4) 5/8" X 3 1/2" ANCHORS.
- 7) FLOOR LEVELNESS REFER TO FLOOR LEVELING AND FLATTENING DETAIL LOCATED ON THIS SHEET.
- 8) THE MINIMUM REQUIREMENTS FOR COMPRESSIVE STRENGTH FOR THE FLOOR COVERING BASED ON SYMBIA COLLIMATOR CART SHALL BE 375 PSI. THIS IS BASE ON WORSE CASE LOADING WITH 2-HIGH ENERGY AND 2-MEDIUM ENERGY COLLIMATORS PLACED ON THE COLLIMATOR CART.

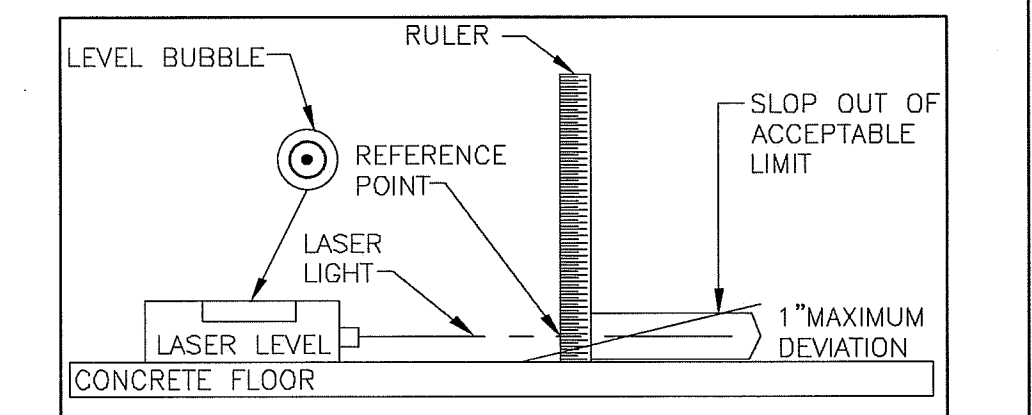
### PREPARATION/PROCEDURE FOR FLOOR LEVELING AND FLATTENING

**PREPARATION LEVELING AND FLATTENING THE FLOOR AREA**  
 THE SCANNER ROOM FLOOR MUST BE LEVELED AND THE SURFACE MUST BE SMOOTH. ANY DEVIATION IN LEVELS WILL HAVE A DETRIMENTAL EFFECT ON THE PATIENT HANDLING TABLE (PHS) TO THE GANTRY ALIGNMENT WHICH MAY EFFECT COLLIMATOR EXCHANGE.  
 IT IS RECOMMENDED THAT THE FLOOR IN THE ENTIRE ROOM WILL BE LEVELED AND FLATTENED ACCORDING TO THE SIEMENS SPECIFICATIONS GIVEN BELOW. IT IS IMPERATIVE THAT THE SYSTEM INSTALLATION AREA, AS INDICATE BY THE HATCH AREA BELOW, IS LEVELED AND FLATTENED.  
 UPON COMPLETION OF THE INSTALLATION FLOOR AREA, VERIFY THE SURFACE FLATNESS, USING A STRAIGHT EDGE 4'-0" IN LENGTH OR LONGER.



**FLOOR CHECKING PROCEDURE**  
 THIS PROCEDURE PROVIDES DETAILS ON HOW TO VERIFY THAT THE FLOOR IS BOTH FLAT AND LEVEL BEFORE SYSTEM INSTALLATION BEGINS. THIS PROCEDURE SHOULD BE COMPLETE BY THE SIEMENS PROJECT MANAGER AND CUSTOMER/CONTRACTOR. MEASUREMENTS SHOULD BE TAKEN LEFT TO RIGHT OR RIGHT TO LEFT, FRONT TO BACK OR BACK TO FRONT AND DIAGONALLY IN EITHER DIRECTION. REFER TO THE DIAGRAM ON THE LEFT.

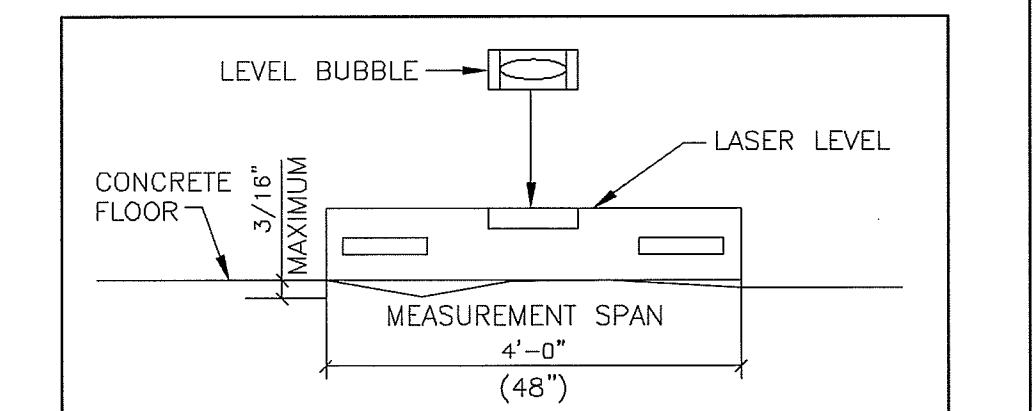
- SLOPE - FLOOR SLOPE SHOULD BE WITHIN  $\pm 1"$  OVER 12'-6" (150")
- 1) PLACE LASER LEVEL ON FLOOR.
  - 2) MAKE SURE THAT THE LASER LEVELING DEVICE IS ABSOLUTELY LEVEL.
  - 3) TURN ON LASER.
  - 4) USE A RULER TO MEASURE THE HEIGHT OF THE LASER LIGHT FROM THE FLOOR NEXT TO THE LASER LEVEL. THIS IS REFERENCE POINT ON THE RULER FOR ALL OTHER MEASUREMENTS.
  - 5) KEEP THE LASER ON AND USE A RULER TO MEASURE THE HEIGHT OF THE LASER LIGHT BEAM AT VARIOUS POINTS 12'-6" (150") FROM THE LASER. THE MEASUREMENT FROM THE FLOOR SHOULD BE WITHIN 1" OF THE ORIGINAL LASER LIGHT REFERENCE POINT. REPEAT AT VARIOUS POINTS AND DIRECTIONS REPRESENTED AS HATCH AREA IN THE DIAGRAM TO THE LEFT.



**FLATNESS - FLOOR SURFACE SHOULD BE SMOOTH AND HAVE NO MORE THEN 3/16" DEVIATION IN ANY 4'-0" (48") SEGMENT IN ENTIRE THE SCANNER ROOM AREA.**  
 1) VERIFY SURFACE FLATNESS FOR THE ENTIRE SCANNER ROOM AREA, USE STRAIGHT EDGE OR BUBBLE LEVEL THAT IS 4'-0" (48") LONG.

#### LEVELING SPECIFICATIONS

FLOOR LEVELING AREA	12'-6" (150") X 7'-6" (90").
SLOPE	WITHIN $\pm 1"$ OVER 12'-6" (150").
FLATNESS	FLOOR SURFACE SHOULD BE SMOOTH AND HAVE NO MORE THAN 3/16" DEVIATION IN ANY 4'-0" (48") THROUGHOUT THE SCANNER ROOM OR SYSTEM INSTALLATION AREA.
FLOOR SURFACE	FLOOR SHOULD HAVE ONE SINGLE POURED SURFACE. NO FILL MATERIAL SHOULD BE USED TO COMPENSATE FOR HOLES OR DEPRESSIONS IN THE FLOOR SURFACE.



IT IS THE CUSTOMER/CONTRACTOR'S RESPONSIBILITY IF ANY MEASUREMENT OUT OF ACCEPTABLE LIMITS ARE AN INDICATION THAT THE FLOOR NEEDS TO BE LEVELED WITH SOME SORT OF LEVELING COMPOUND.  
 WHERE THE UNACCEPTABLE DEVIATION EXIST, THE WHOLE (MINIMUM SYSTEM AREA) SHOULD BE RE-SURFACED.

SYMBIA T, T2, T6, T16  
REV 2

PROJECT MANAGER: RICH DEISTER TEL: (207) 712-3205 VMAIL: EXT: FAX: (207) 929-3776 EMAIL: rich.deister@siemens.com		<b>SIEMENS</b>	
<b>MAINE MEDICAL CENTER</b> 22 BRAMHALL STREET, PORTLAND, ME 04102 NEW SYMBIA SUITE - SYMBIA T			
△ 02/10/14	REVISED ELECTRICAL AND REMOVED SYMBIA T PROCESSING WORKPLACE	THE USE OR REPRODUCTION OF THIS TITLE BLOCK WITHOUT SIEMENS AUTHORIZATION WILL RESULT IN PROSECUTION UNDER FULL EXTENT OF THE LAW. ALL RIGHTS ARE RESERVED.	PROJECT #: <b>1303838</b>
△ 01/14/14	R-1019(A) VERSION DATED 12/20/13 APPROVED BY THE CUSTOMER FOR FINALS		SHEET OF 4 OF 6
-ISSUE BLOCK-		SCALE: AS NOTED REF. # 400-347620	DATE: 01/14/14
		<b>S-501</b>	

**ATTENTION:**

-THIS DRAWING IS DESIGNED TO CONFORM TO FEATURES AND EQUIPMENT REQUIREMENTS PRESENTED AT THE TIME OF THEIR PREPARATION. SINCE BOTH THESE FACTORS ARE SUBJECT TO DESIGN MODIFICATION, THEY ARE NOT TO BE USED FOR CONSTRUCTION PURPOSES.  
 -THIS SET OF PLANS REPRESENTS A COMPLETE SET OF DETAILS AND SHOULD NOT BE SEPARATED.

-IT IS RECOMMENDED THAT THE SIEMENS DRAWINGS BE INCORPORATED WITH THE CONSTRUCTION DOCUMENTS FOR REFERENCE.

-ALL DIMENSIONS SHOWN ON THIS DRAWING ARE FROM FINISHED SURFACES.  
 -THIS DRAWING DOES NOT PROVIDE RADIATION SHIELDING REQUIREMENTS FOR X-RAY AND ASSOCIATED EQUIPMENT. THE CUSTOMER IS RESPONSIBLE FOR CONSULTING WITH A REGISTERED RADIATION PHYSICIST TO SPECIFY RADIATION PROTECTION.

REFERENCE DOCUMENT - NOT FOR CONSTRUCTION