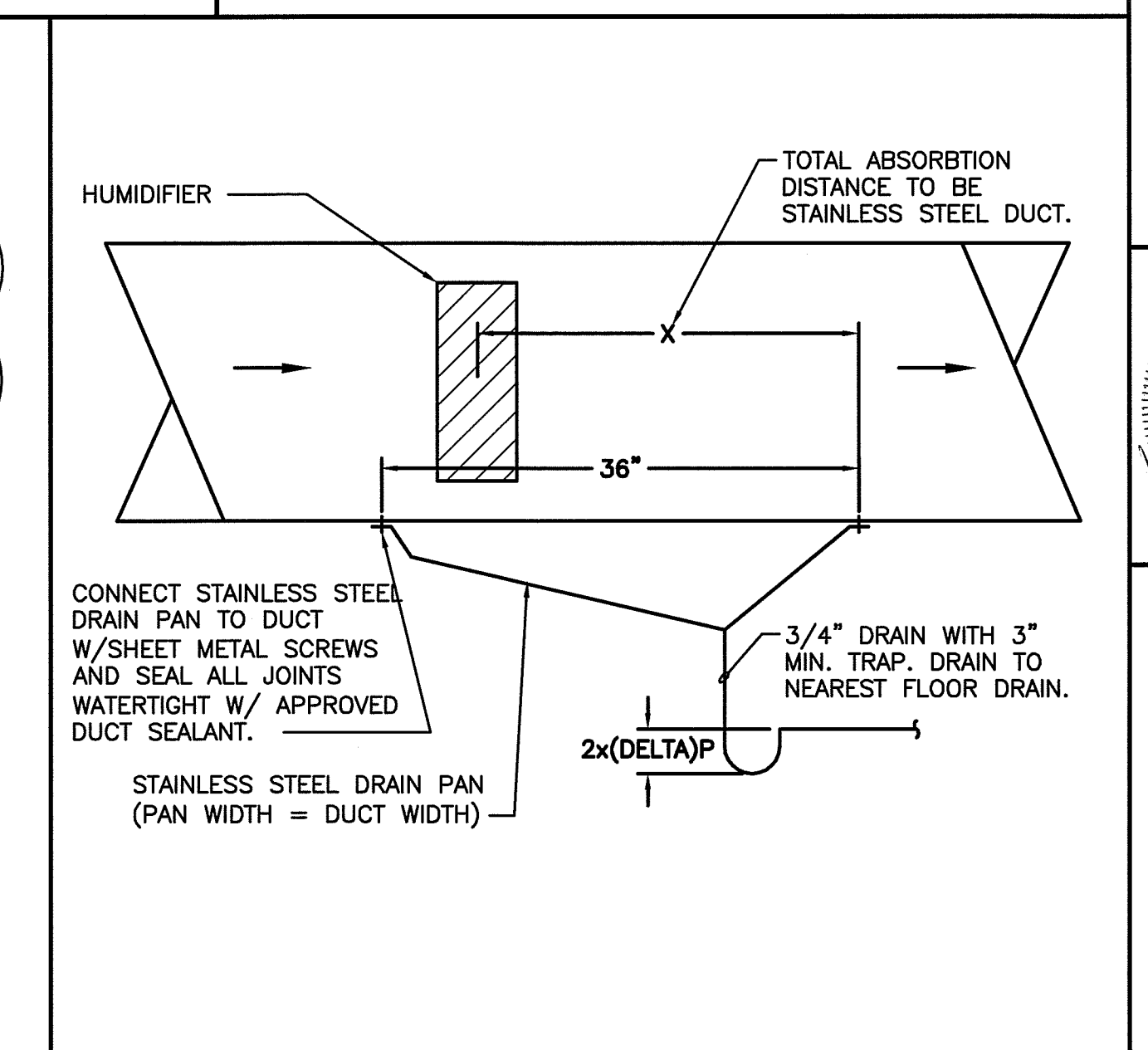
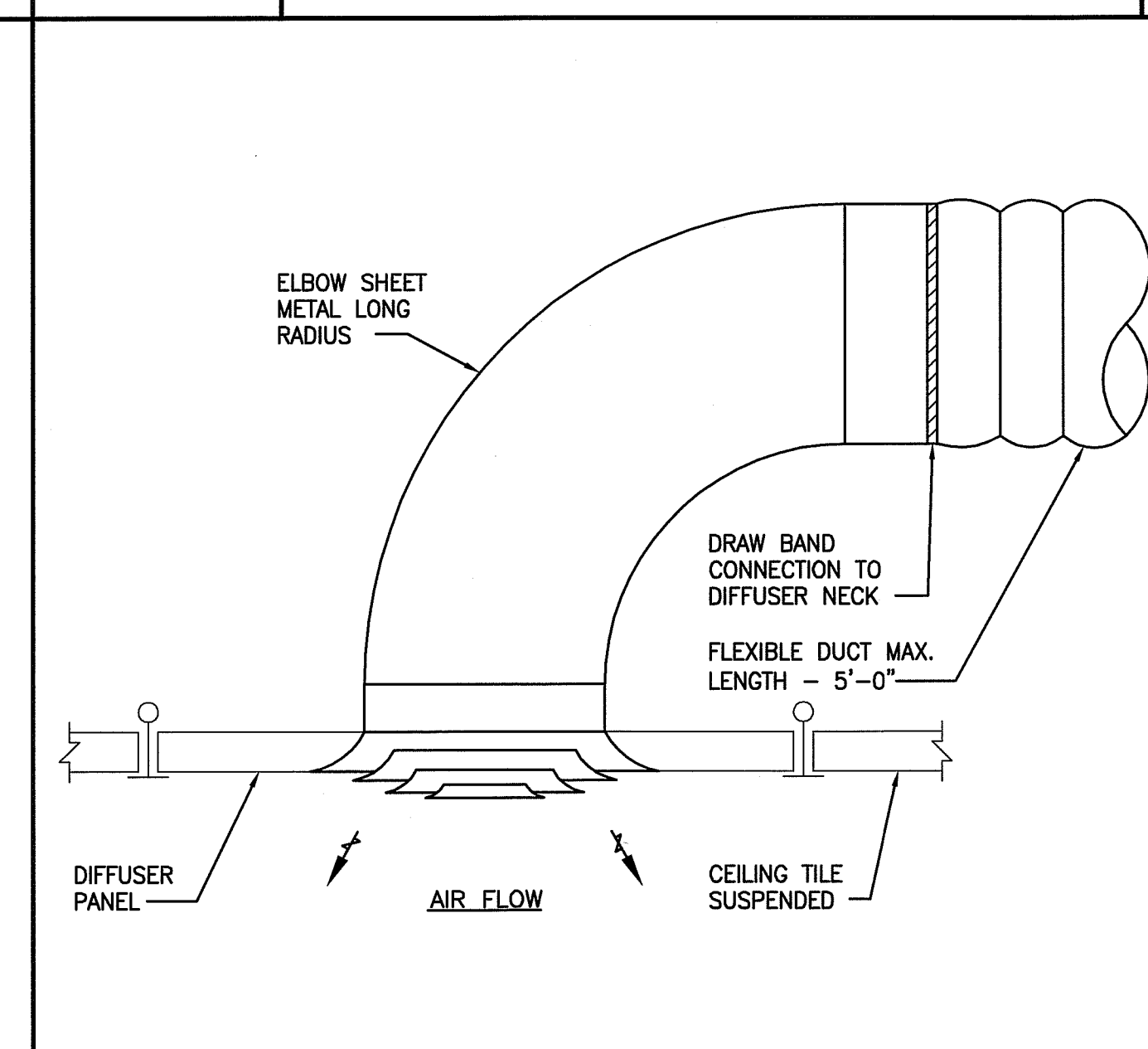
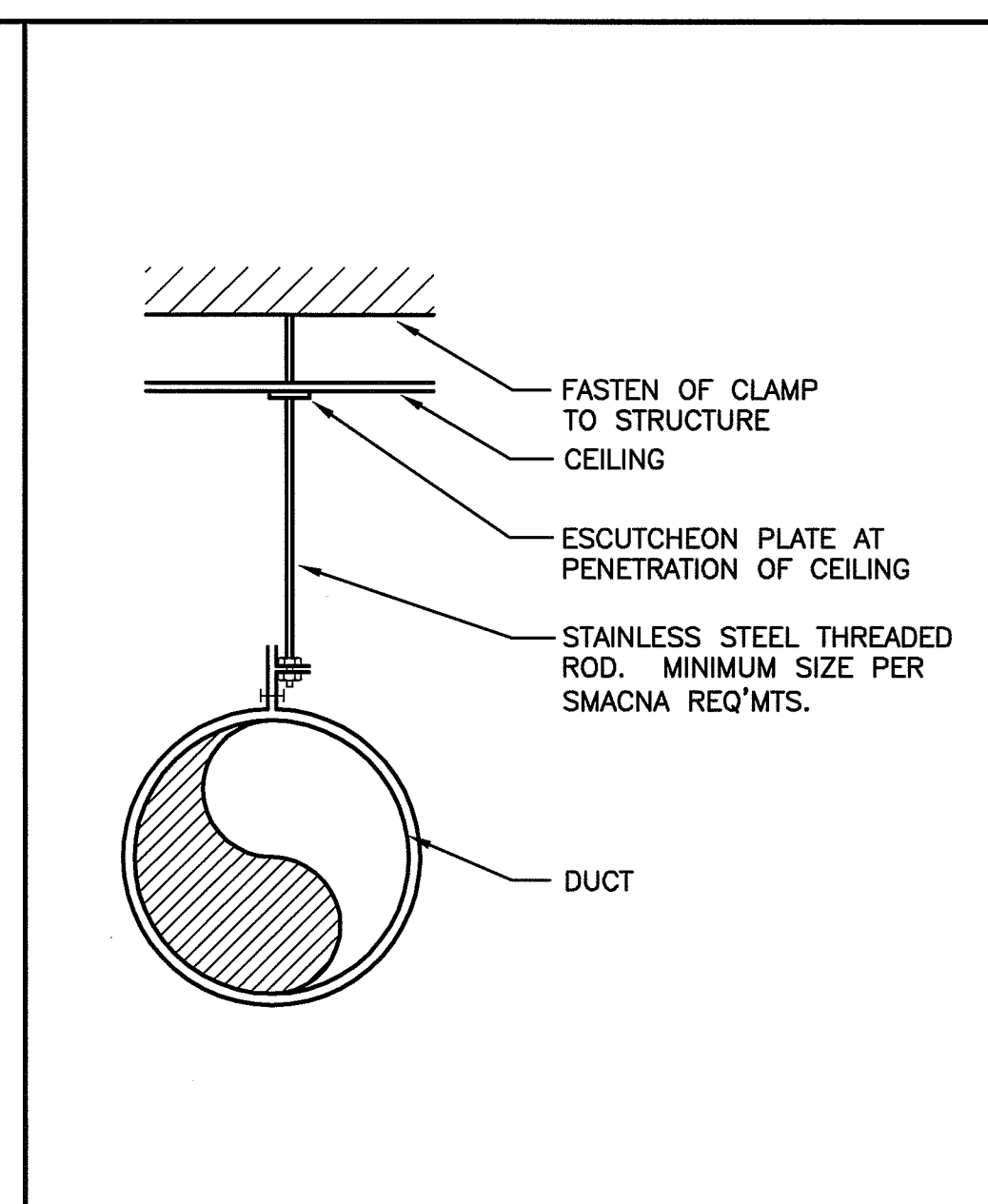
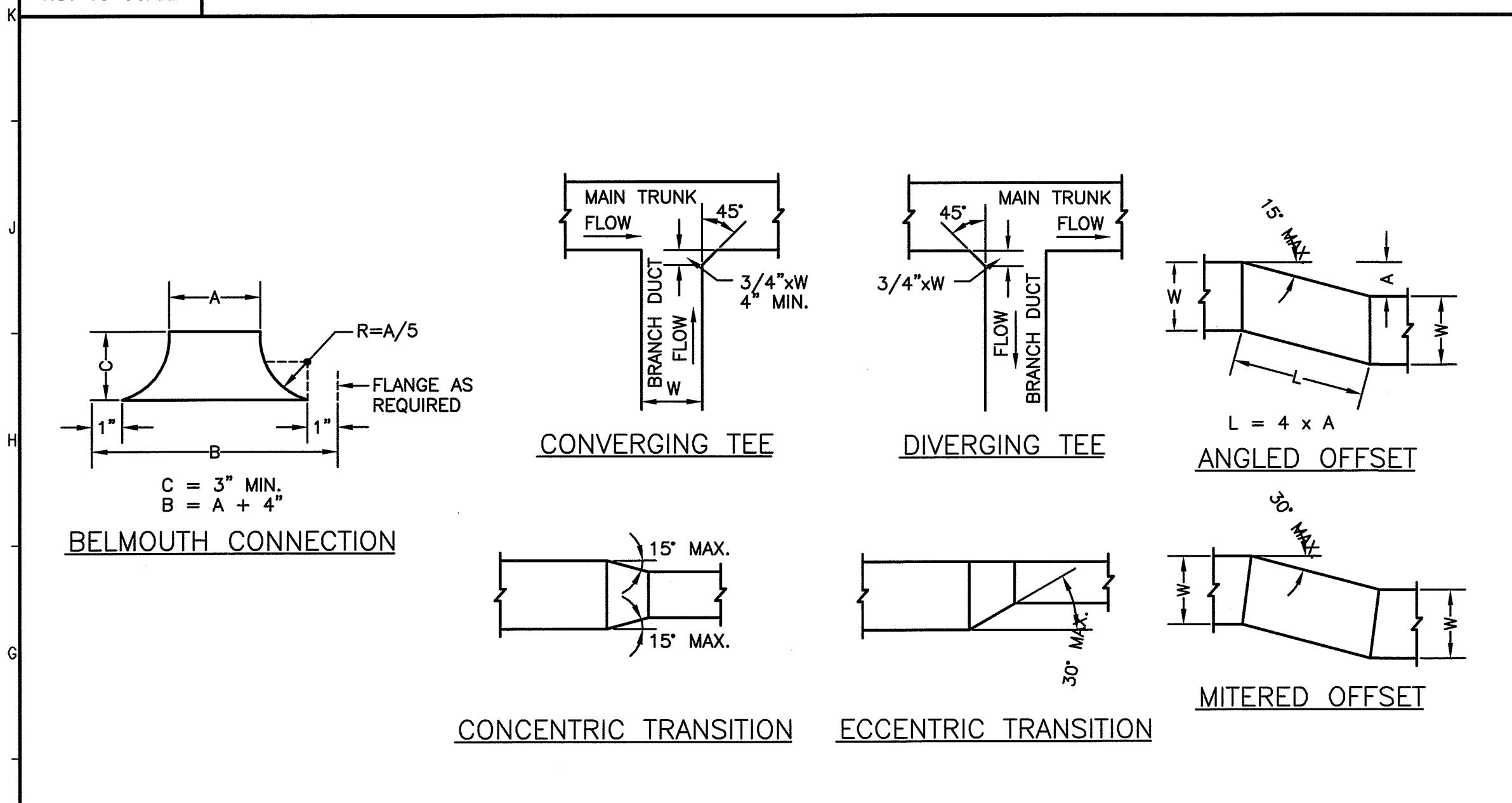


K1 LOW PRESSURE DUCT ELBOWS - TYPICAL
NOT TO SCALE

K9 DUCT PENETRATION THROUGH WALL
NOT TO SCALE

K13 STUD WALL DUCT PENETRATION
NOT TO SCALE

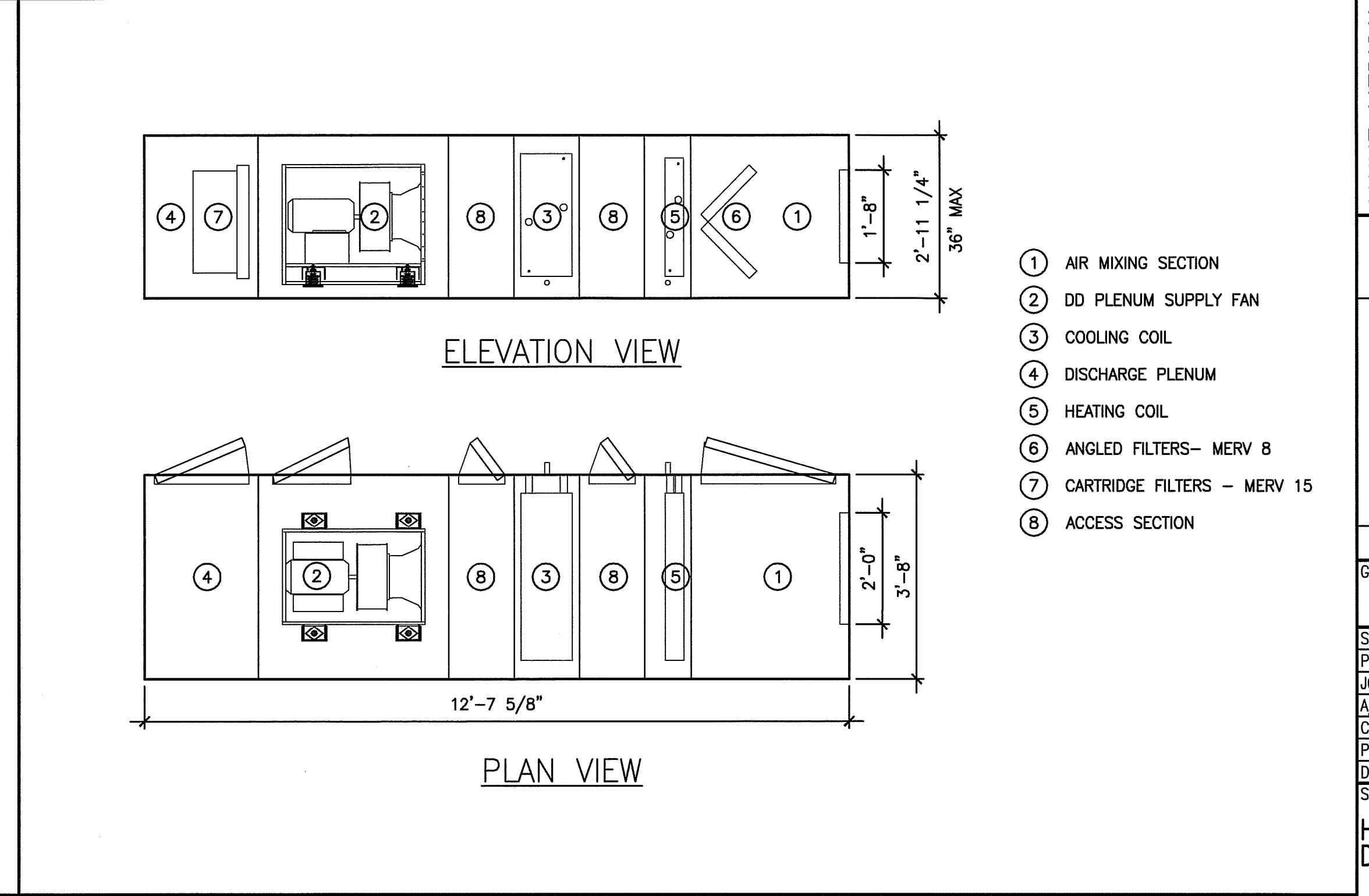
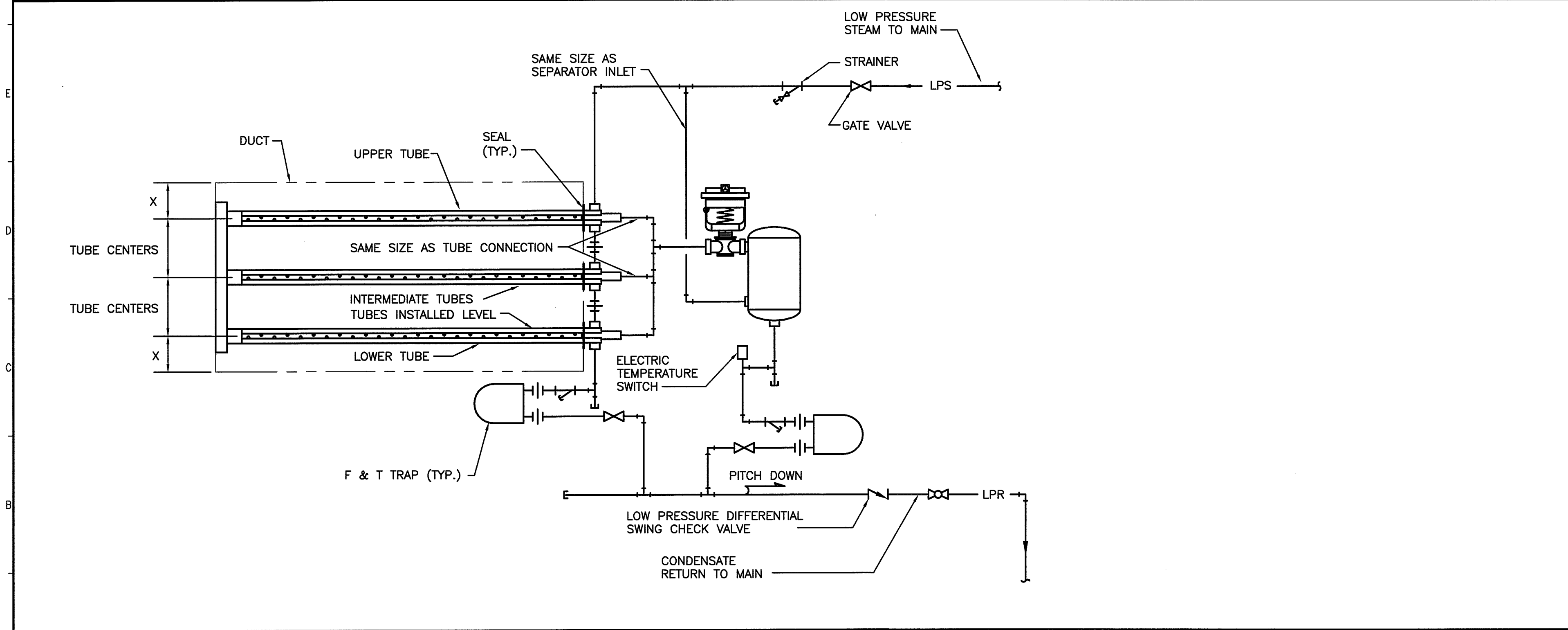


F1 DUCT TRANSITIONS
NOT TO SCALE

F7 DUCT HANGER
NOT TO SCALE

F9 DIFFUSER CONNECTION DETAIL
NOT TO SCALE

E13 HUMIDIFIER DRAIN PAN DETAIL
NOT TO SCALE



A1 TYPICAL STEAM HUMIDIFIER
NOT TO SCALE

A11 AHU-23 DETAIL
NOT TO SCALE

144 Fore Street/P.O. Box 618
Portland, Maine 04104
Tel: (207) 772-3846
Fax: (207) 772-1070
www.smartinc.com

ARCHITECTURE
ENGINEERING
PLANNING
INTERIOR DESIGN
COMMISSIONING

SMART

STATE OF MAINE
KATHERINE E. BOUTIN
LICENSED PROFESSIONAL ENGINEER
37314

MAINE MEDICAL CENTER
NUCLEAR MEDICINE RENOVATIONS
PORTLAND, MAINE

ISSUED FOR CONSTRUCTION
3-13-14

CURRENT ISSUE STATUS:

REV	DATE	DESCRIPTION
0	3-13-14	ISSUED FOR CONSTRUCTION

GRAPHIC SCALE:
0" 1"

SCALE: 1/4"=1'-0"

PROJECT MANAGER: DJV
JC/DRAWN BY: FV
A/E OF RECORD: KME
CAD FILE: M-501-13128
PROJECT NO: 13128
DATE: 3-13-14

SHEET TITLE:
HVAC DETAILS

SHEET No.
M-501
© COPYRIGHT 2013 SMART INC.