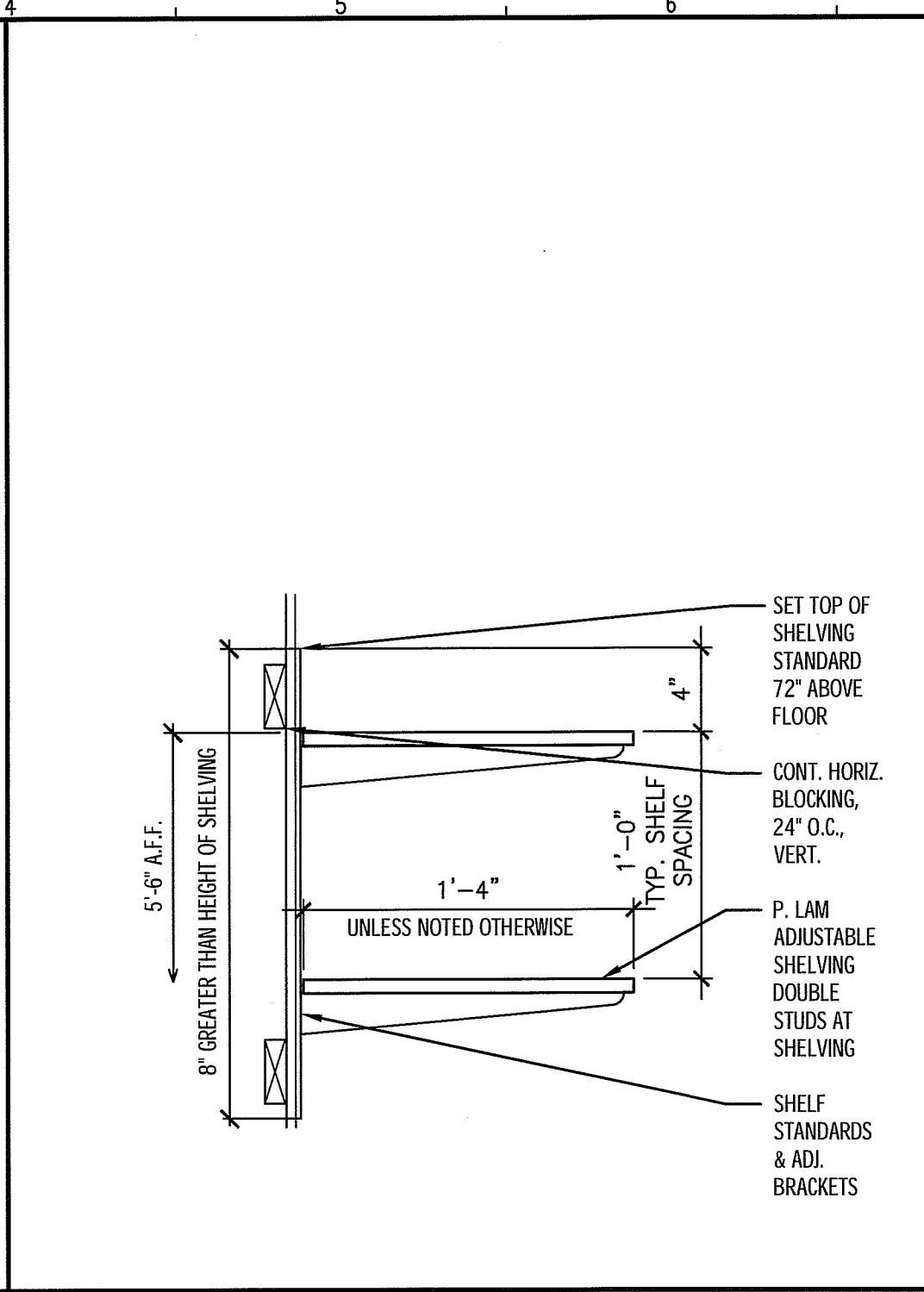
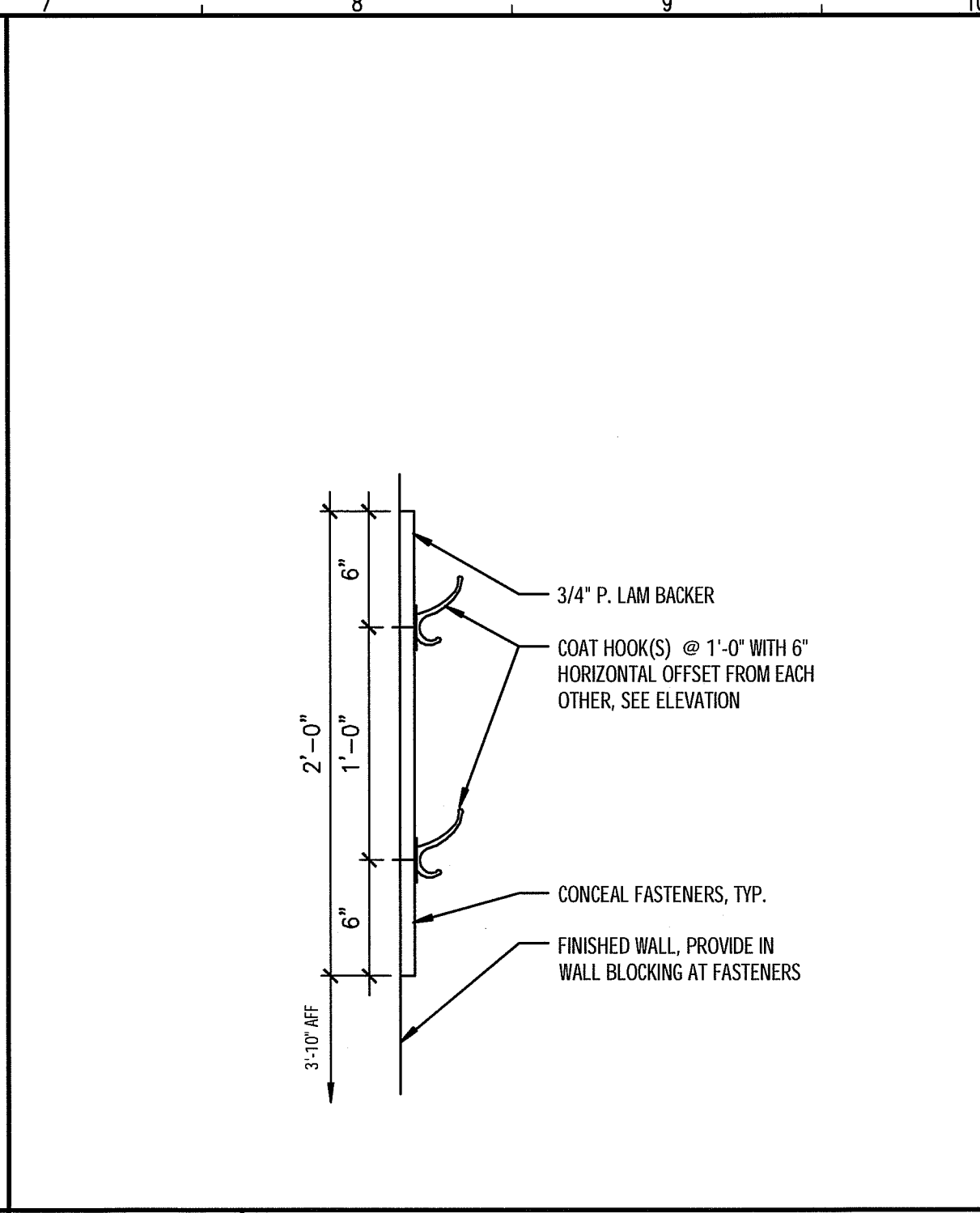


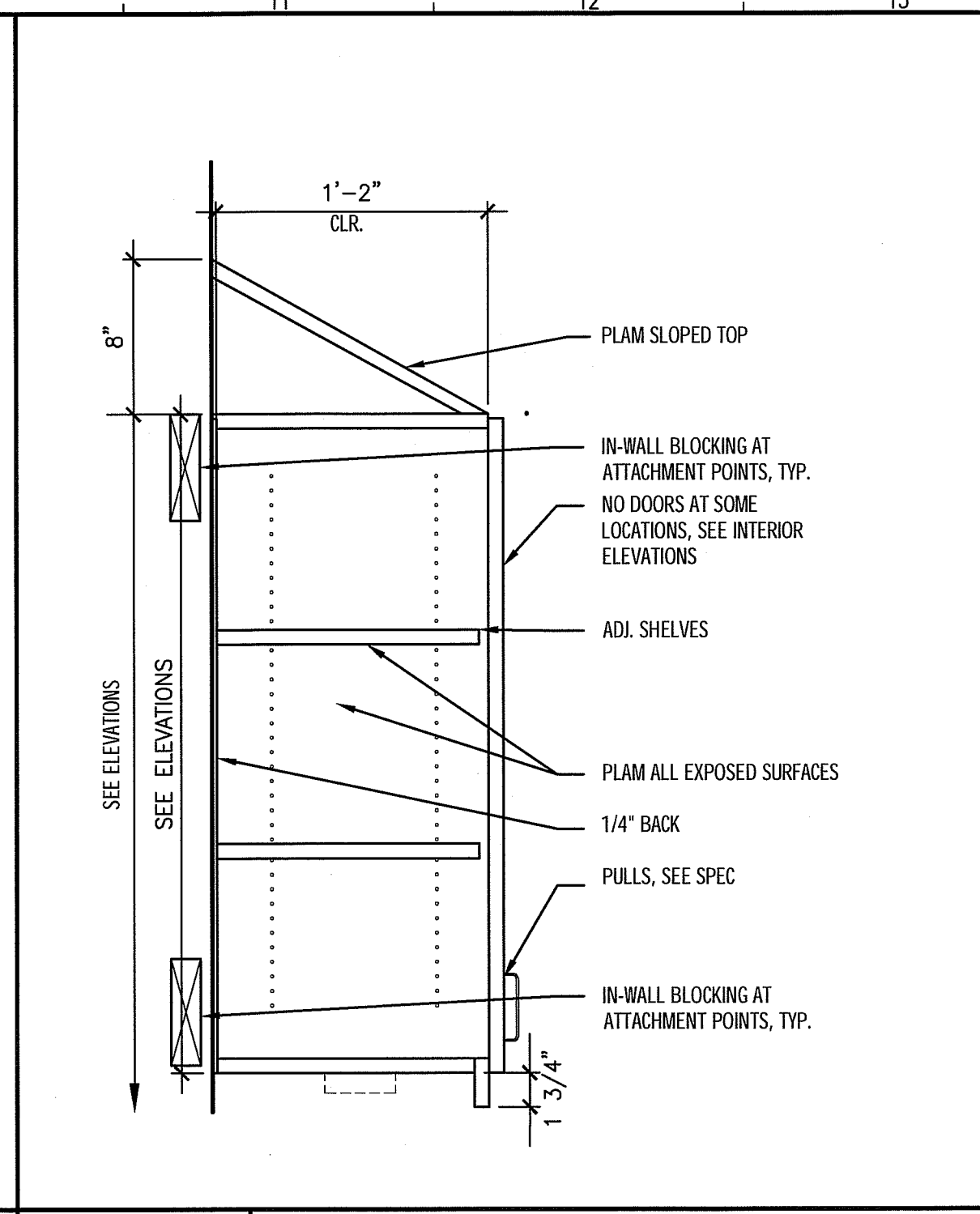
J1 CASEWORK DETAIL
1-1/2"=1'-0" *



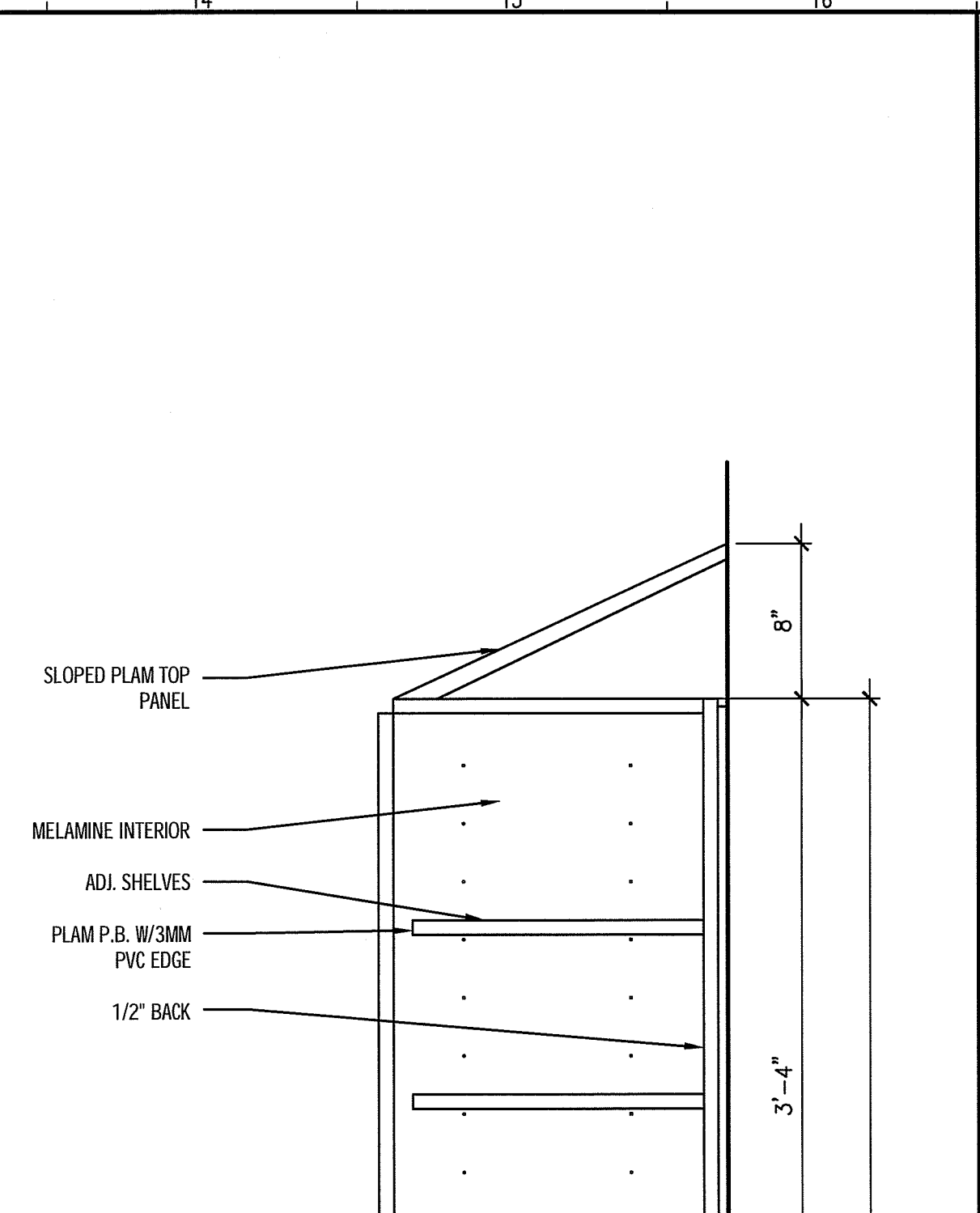
J4 CASEWORK DETAIL
1-1/2"=1'-0" *



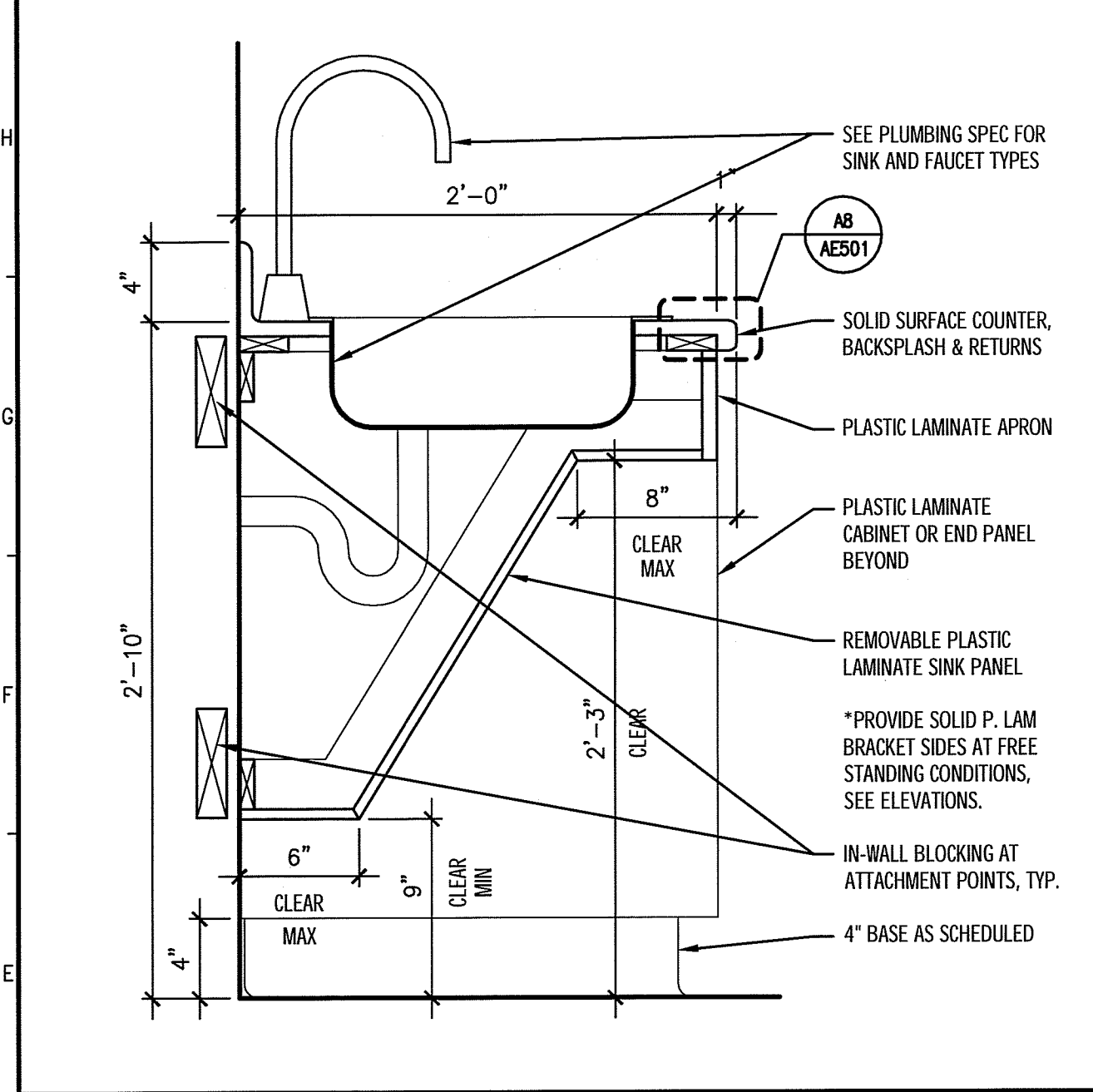
J7 COAT HOOKS DETAIL
1-1/2"=1'-0" *



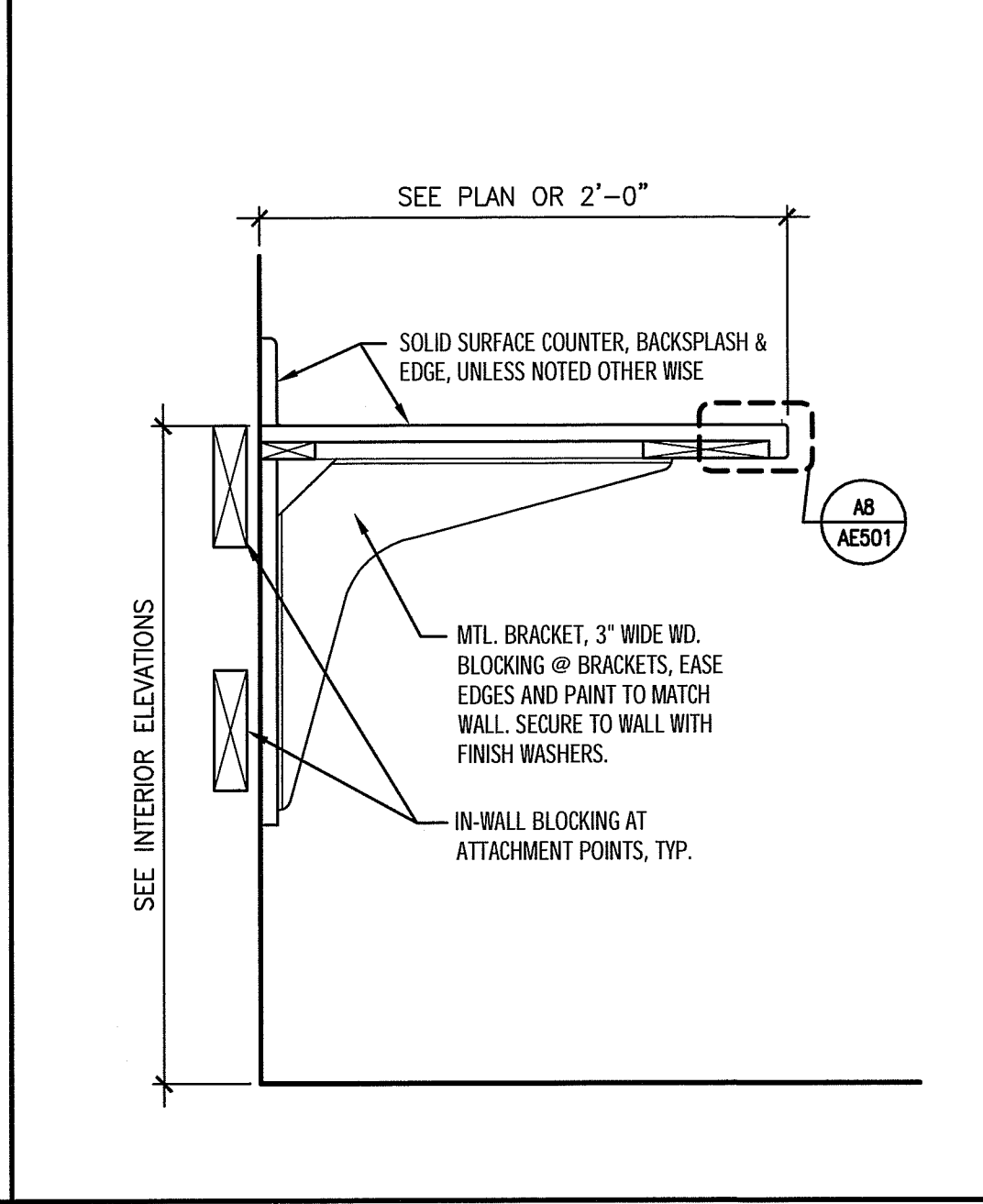
J10 CASEWORK DETAIL
1-1/2"=1'-0" *



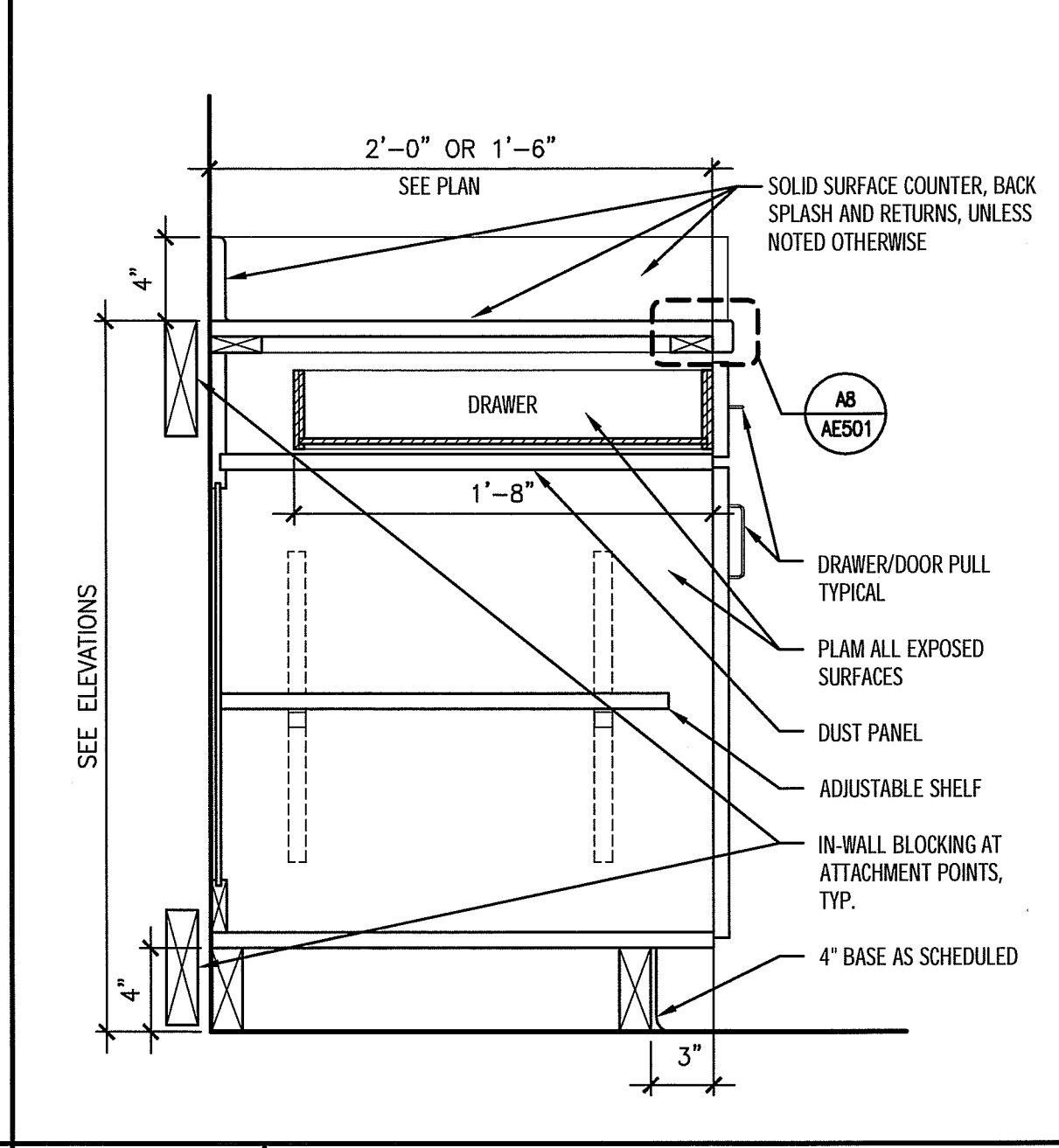
J13 CASEWORK DETAIL
1-1/2"=1'-0" *



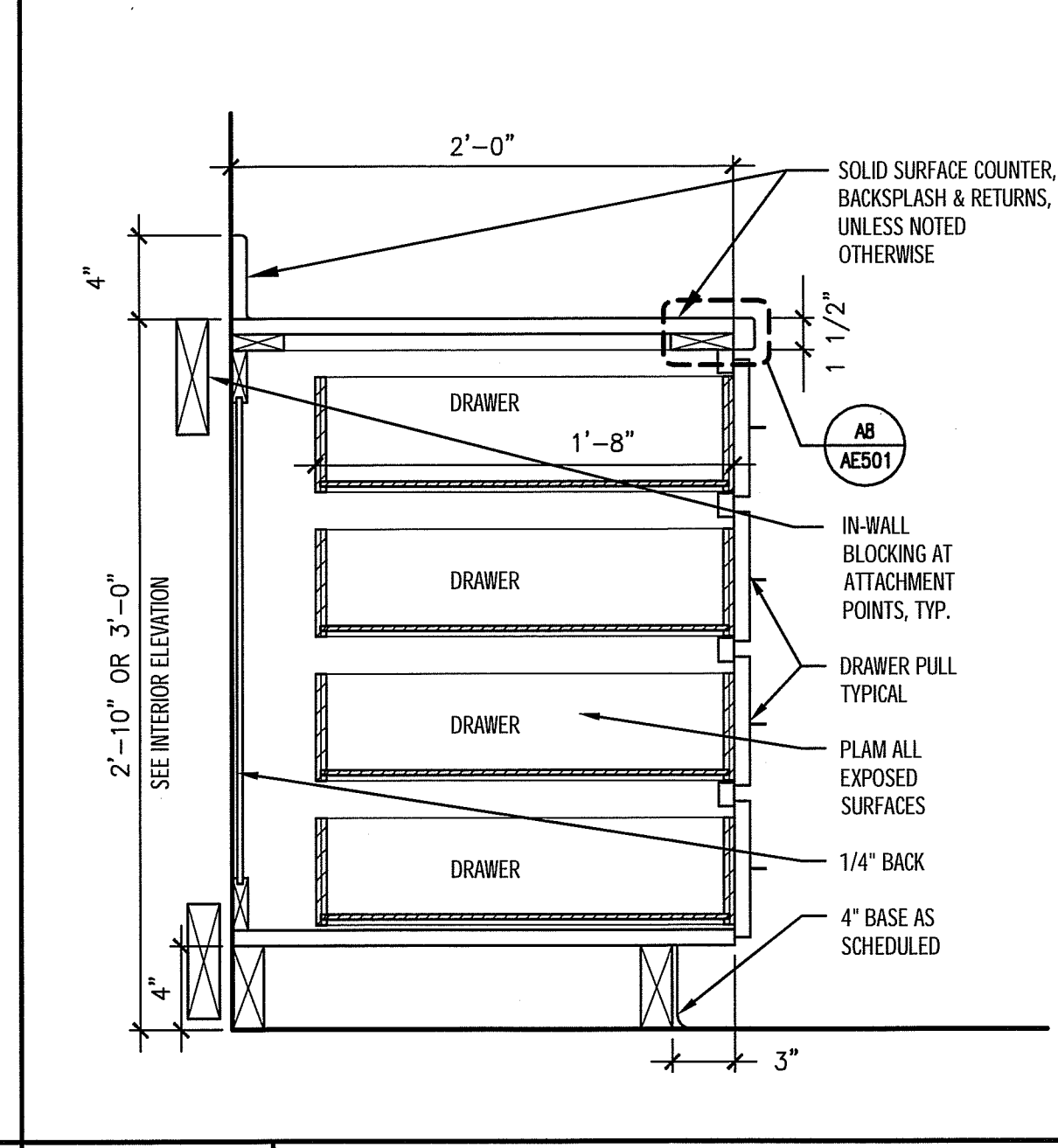
D1 CASEWORK DETAIL
1-1/2"=1'-0" *



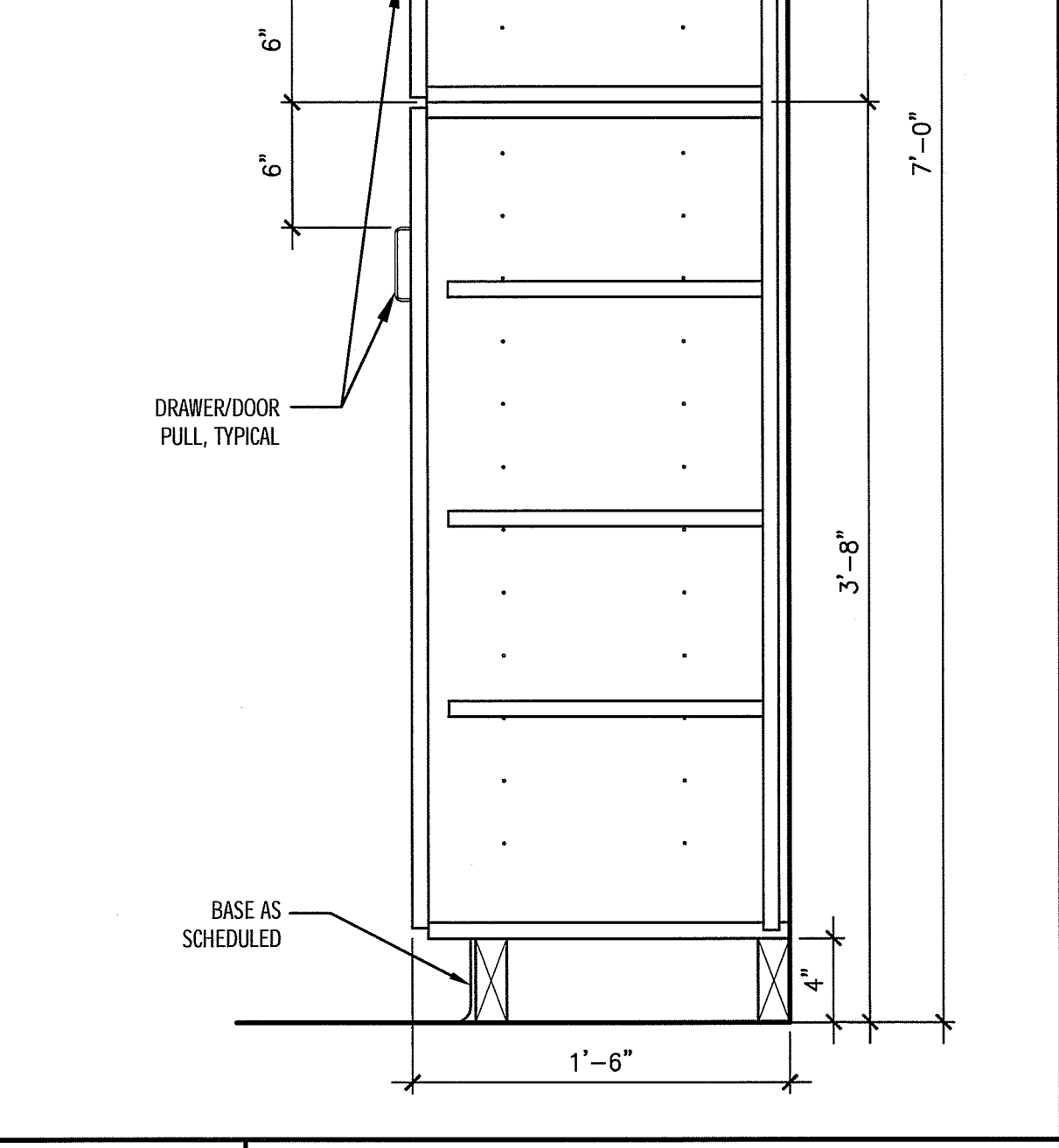
D4 CASEWORK DETAIL
1-1/2"=1'-0" *



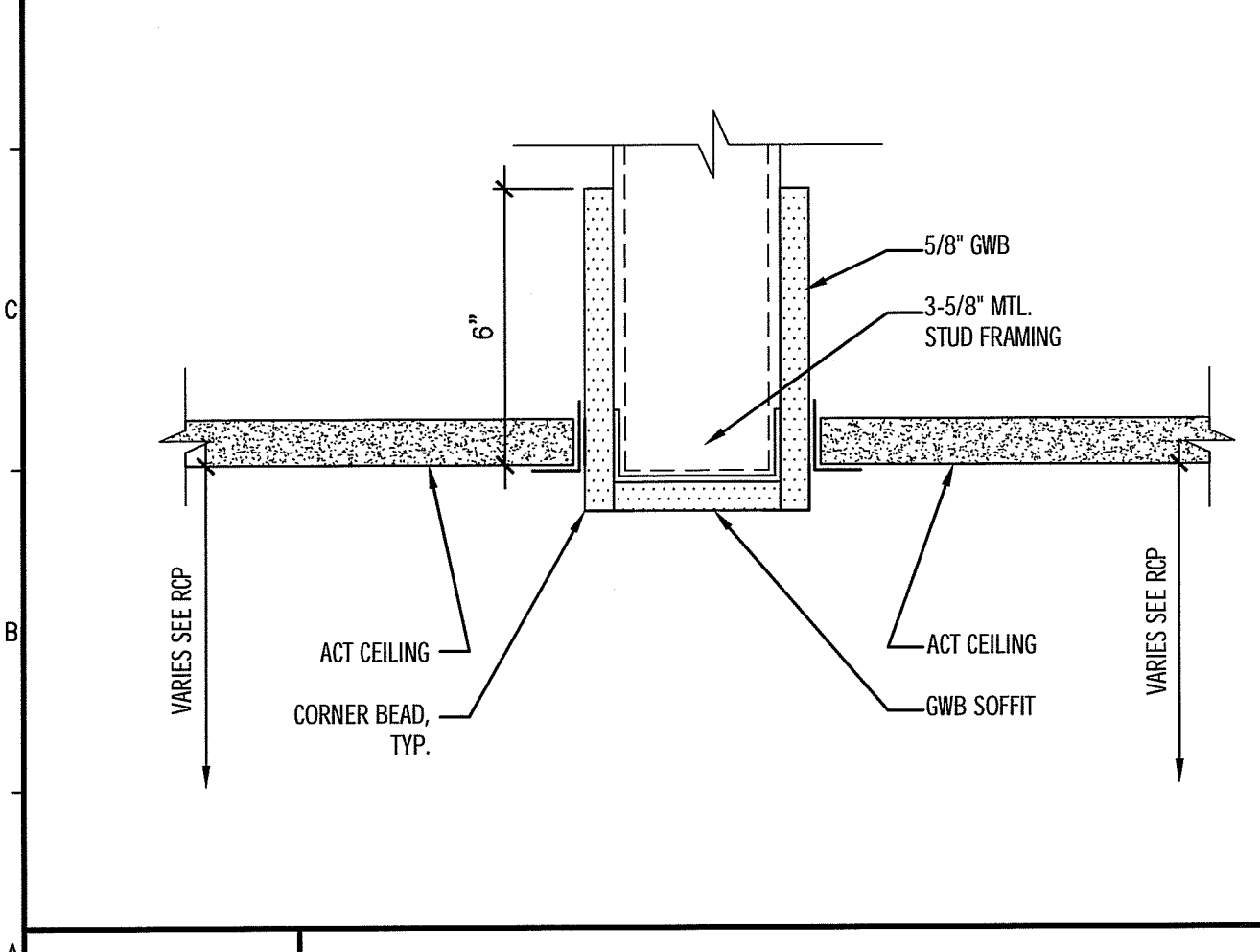
D7 CASEWORK DETAIL
1-1/2"=1'-0" *



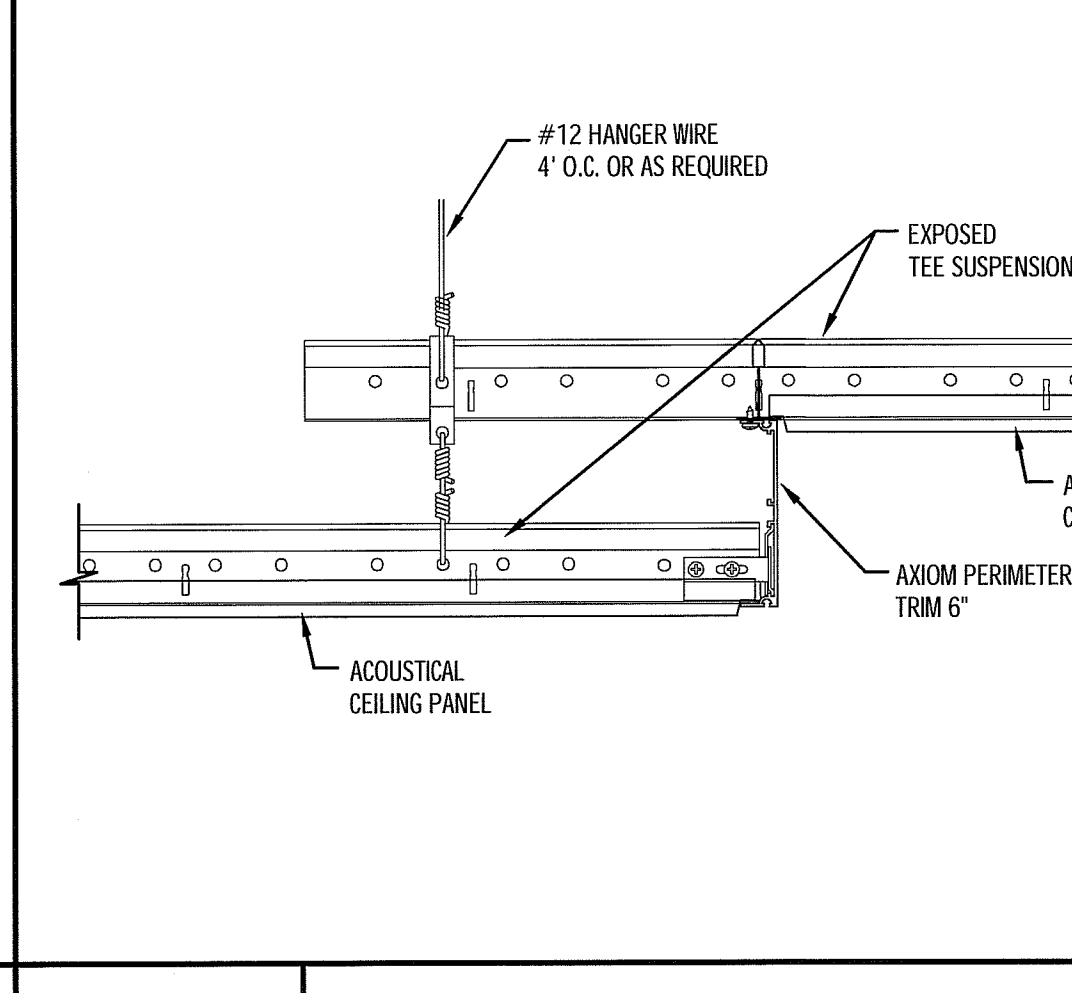
D10 CASEWORK DETAIL
1-1/2"=1'-0" *



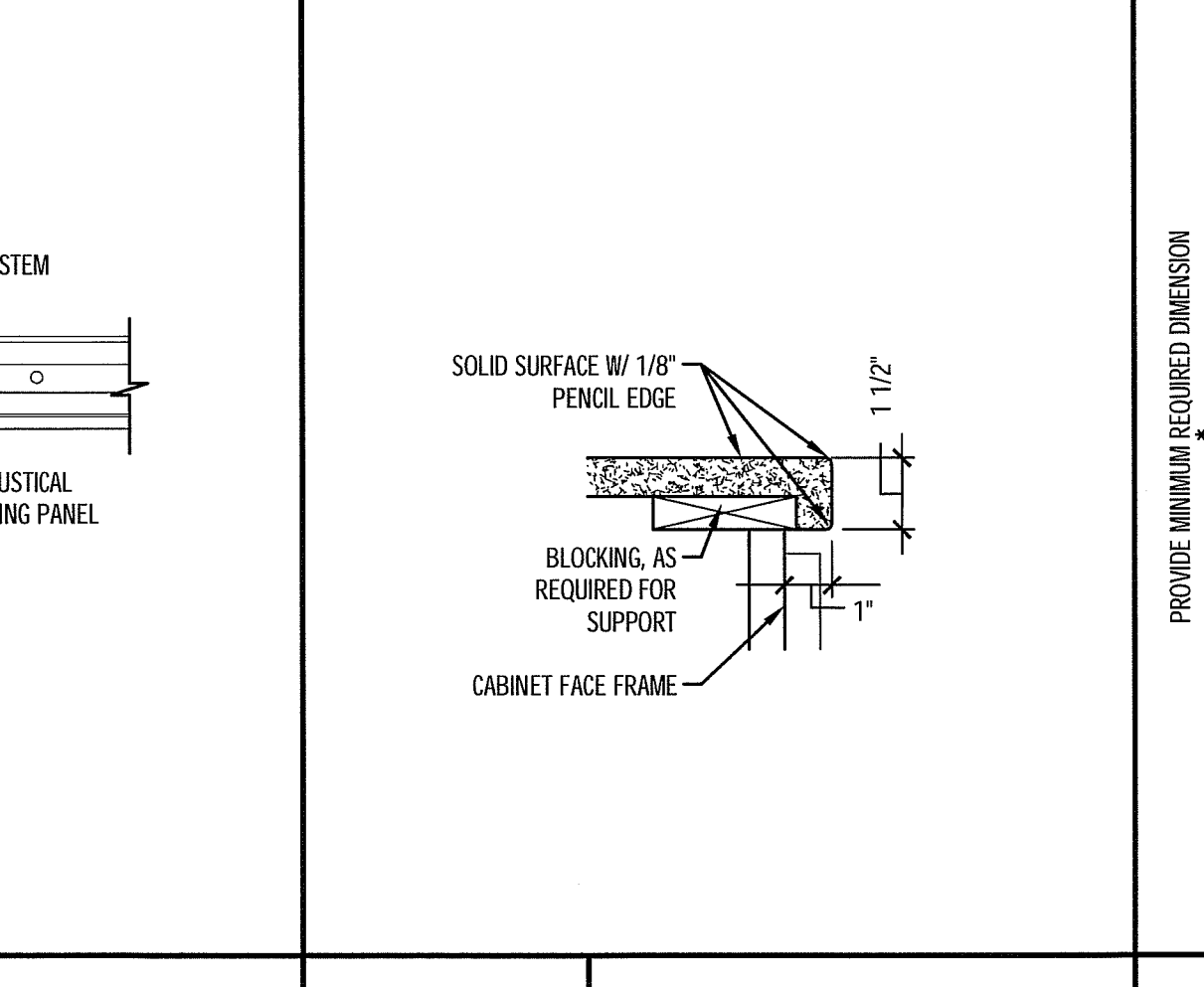
D13 CASEWORK DETAIL
1-1/2"=1'-0" *



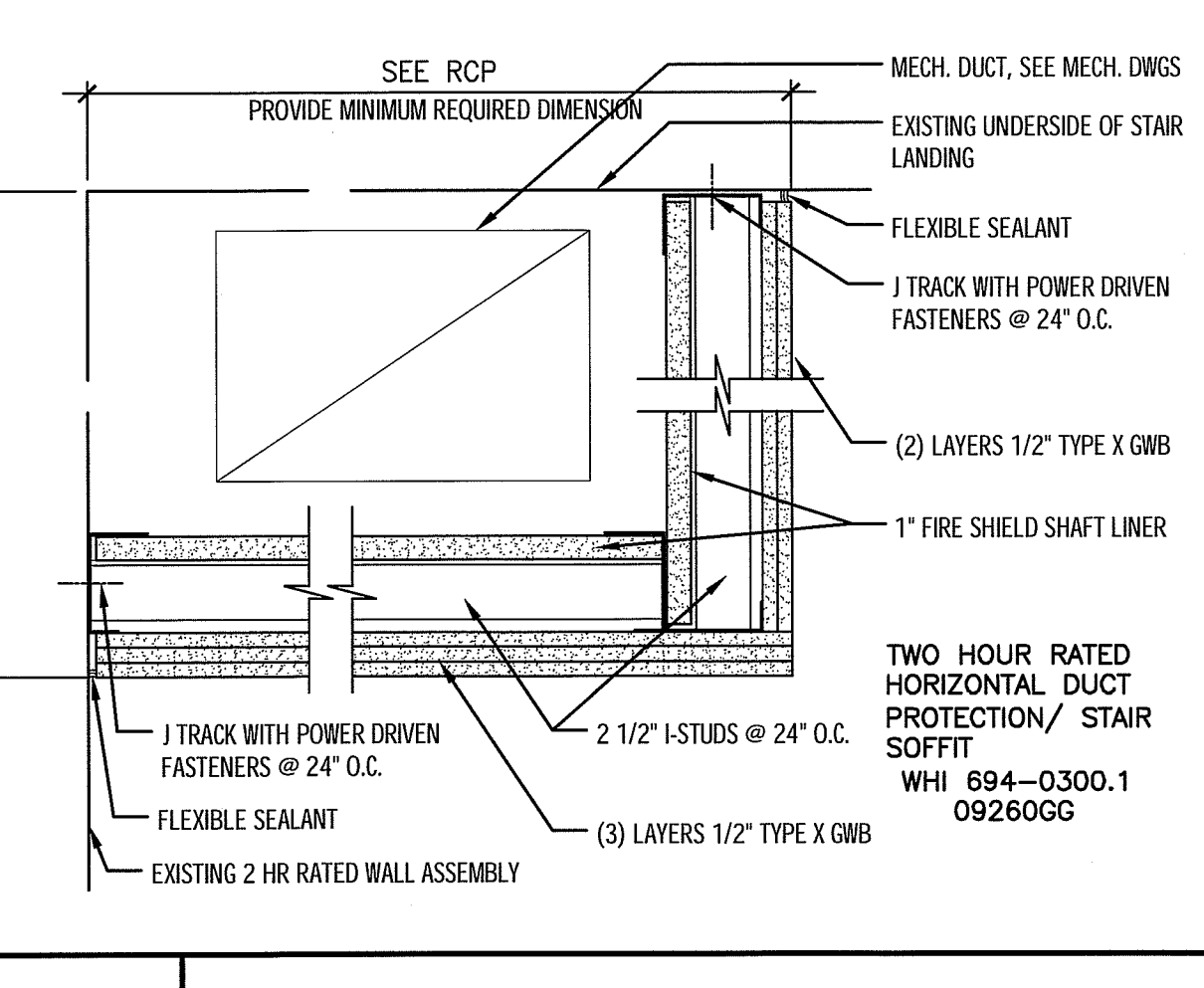
A1 SOFFIT DETAIL
3"=1'-0" *



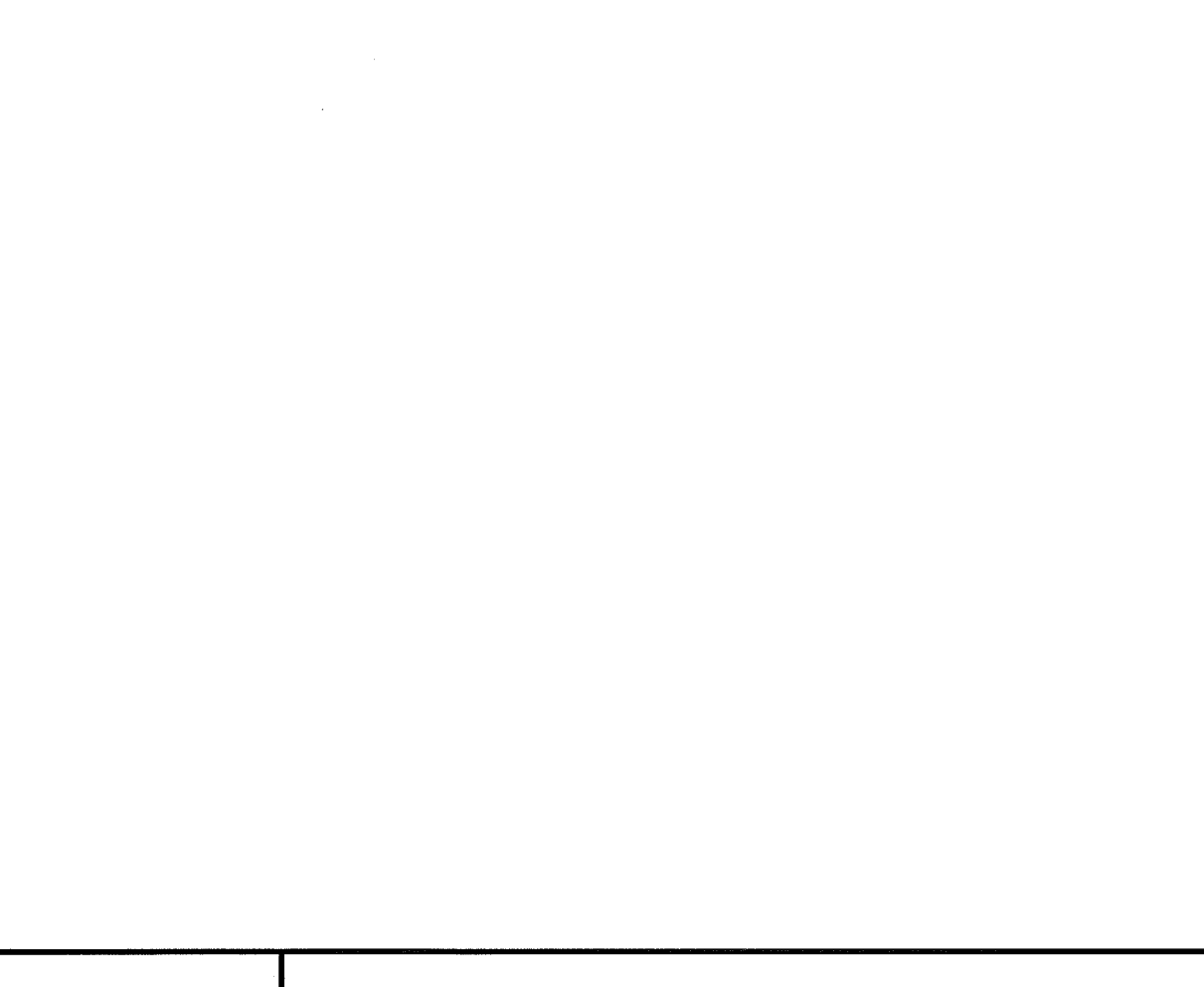
A4 SOFFIT DETAIL
3"=1'-0" *



A8 COUNTER EDGE
3"=1'-0" *



A10 RATED SOFFIT DETAIL
1-1/2"=1'-0" *



A13
3/8"=1'-0" *

144 Fore Street/P.O. Box 618
Portland, Maine 04104
Tel: (207) 772-3846
Fax: (207) 772-1070
www.smarthinc.com

ARCHITECTURE
ENGINEERING
PLANNING
INTERIOR DESIGN
COMMISSIONING

SMART

PROJECT NORTH

LICENCED ARCHITECT
DEREK J. VAILLEUX
No. 3174

3-14-14

MAINE MEDICAL CENTER
NUCLEAR MEDICINE RENOVATIONS
PORTLAND, MAINE

ISSUED FOR CONSTRUCTION
3-13-14

CURRENT ISSUE STATUS:

REV	DESCRIPTION	DATE
0	ISSUED FOR CONSTRUCTION	3-13-14

GRAPHIC SCALE:
0" 1"

SCALE: 1/4"=1'-0"

PROJECT MANAGER: DJV
JC/DRAWN BY: MDR
A/E OF RECORD: DJV
CAD FILE: AE501-13128
PROJECT NO: 13128
DATE: 3-13-14
SHEET TITLE:
CASEWORK DETAILS AND MISC. DETAILS

SHEET No.
AE501
© copyright 2013 SMART INC.