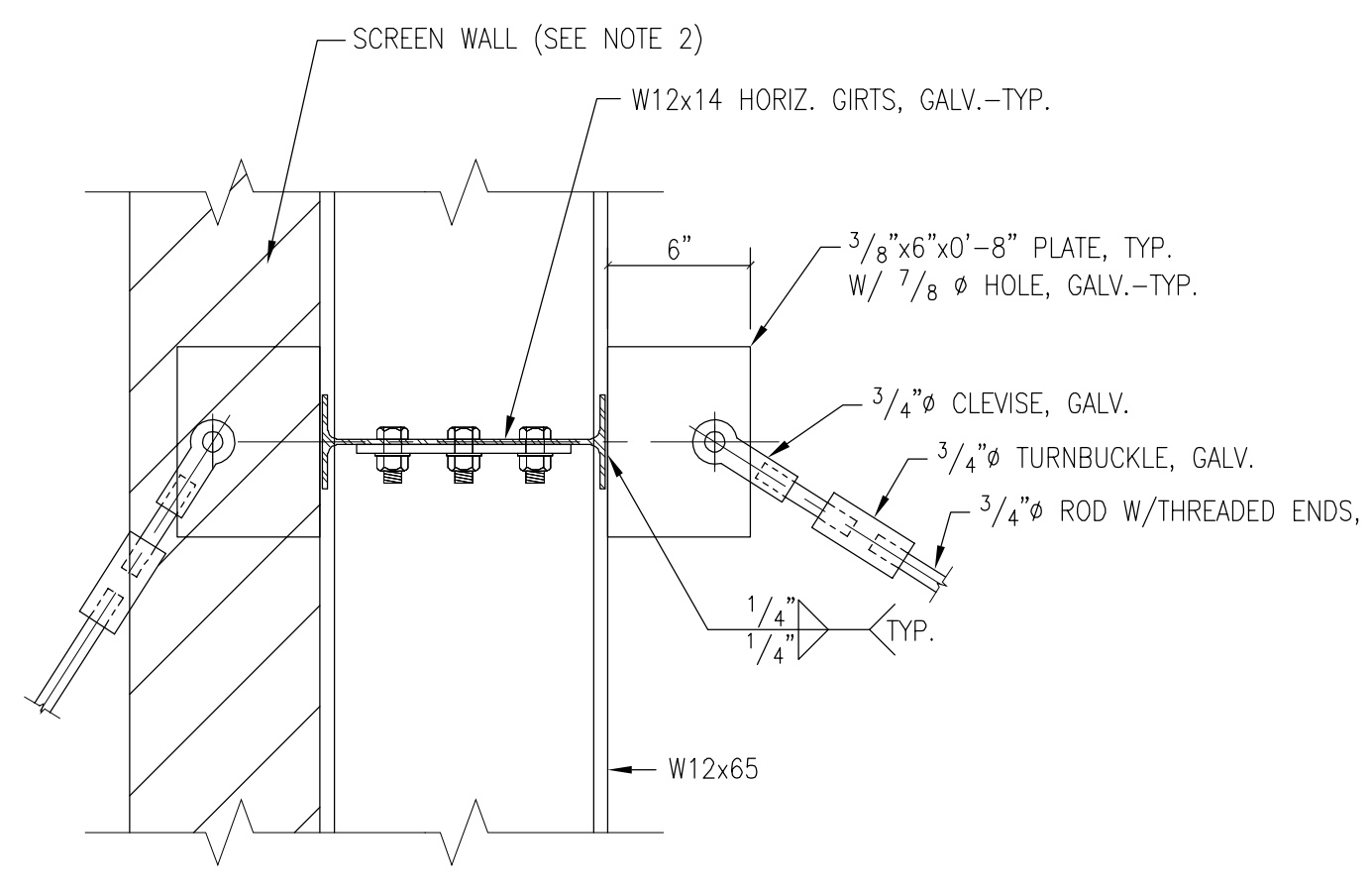
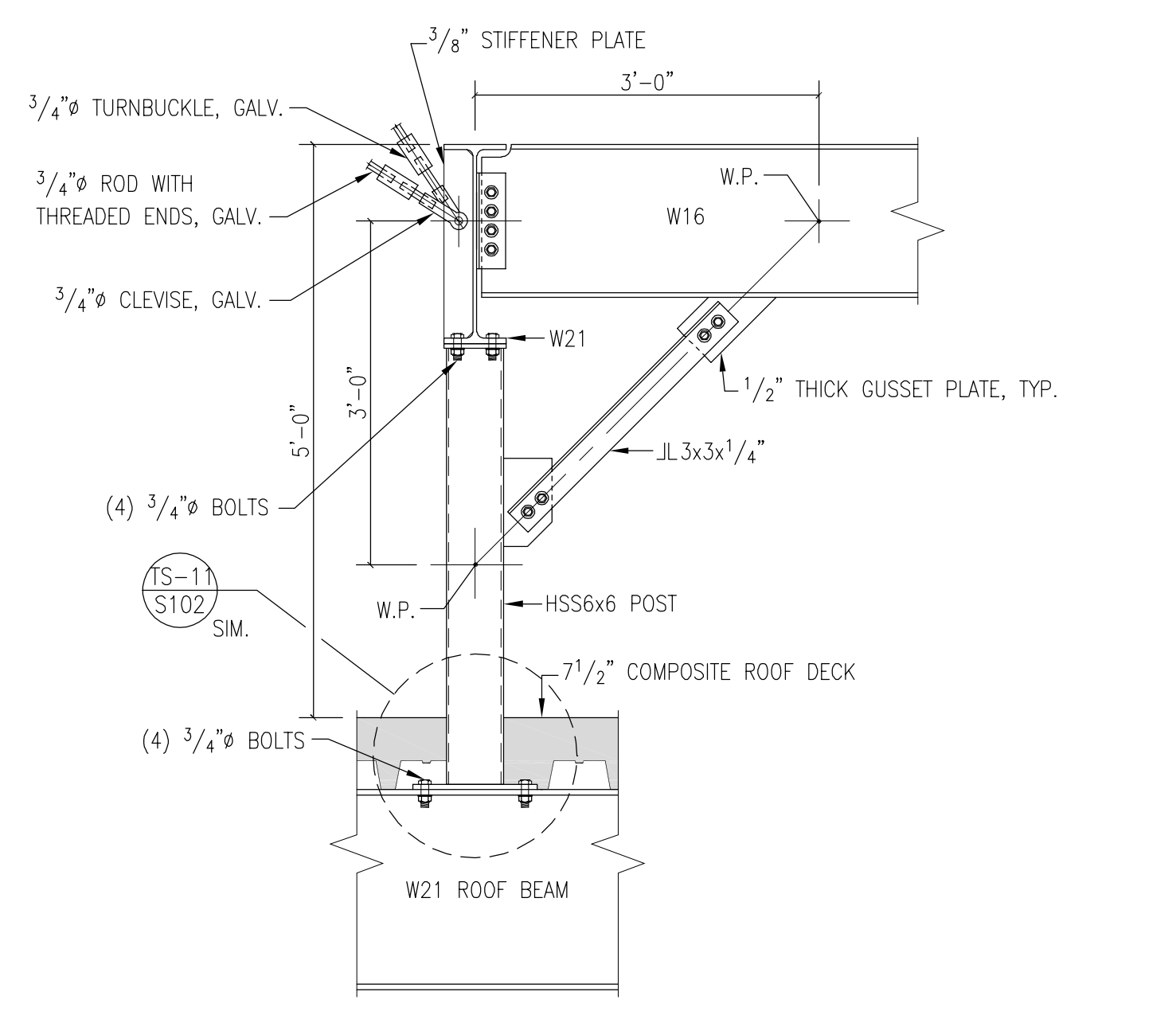


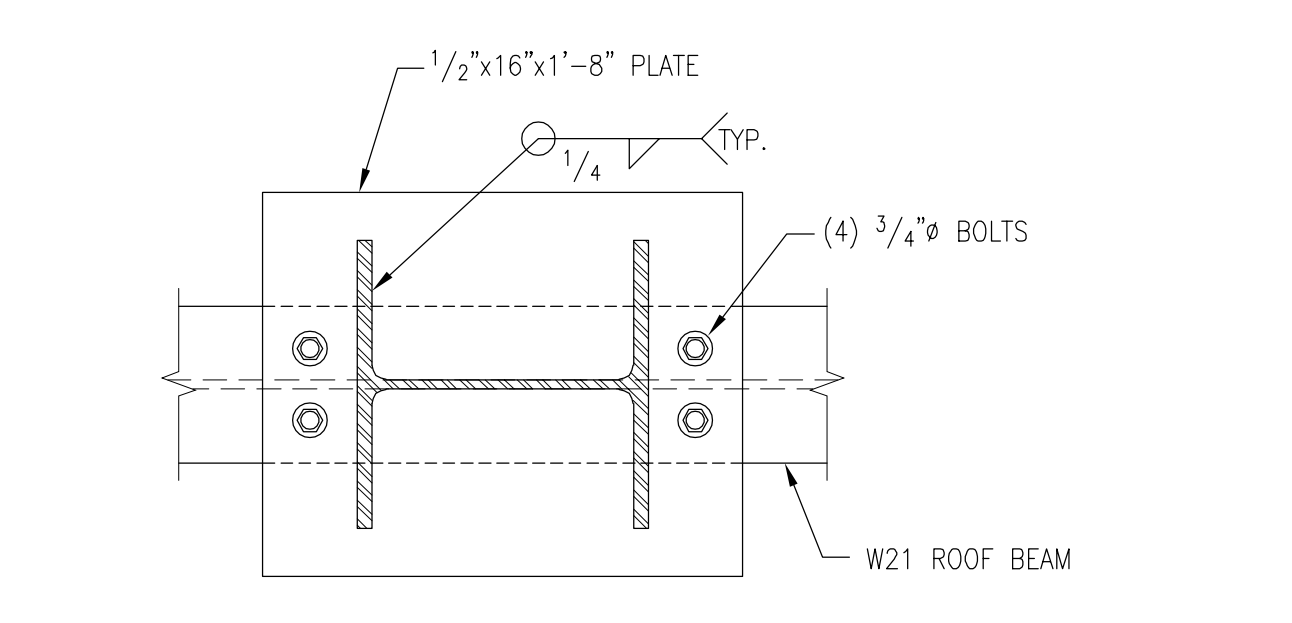
1 SECTION: SCREEN WALL SUPPORT AND CONNECTION DETAIL
1/2" = 1'-0"



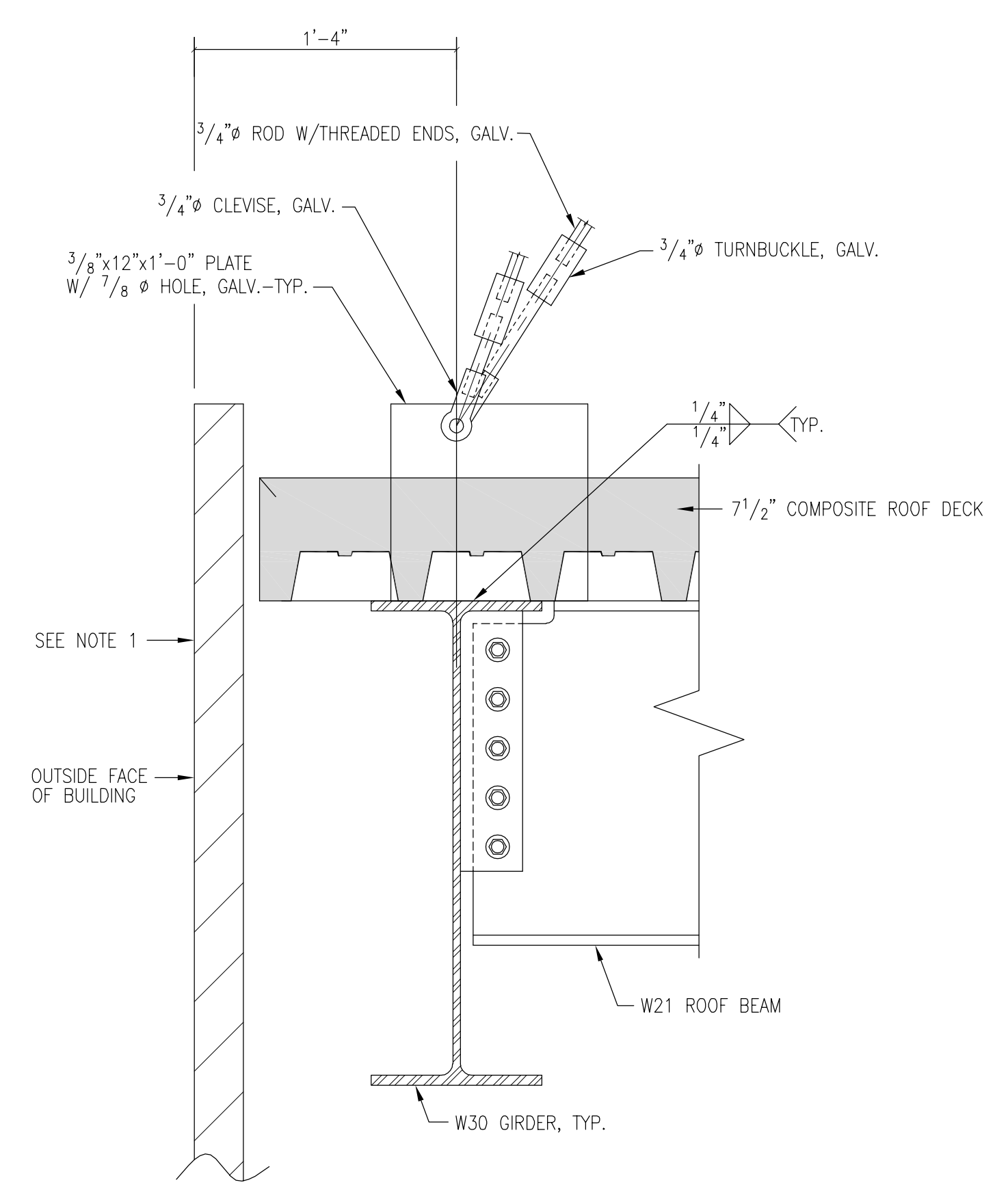
2 DETAIL: ROD CONNECTION
1 1/2" = 1'-0"



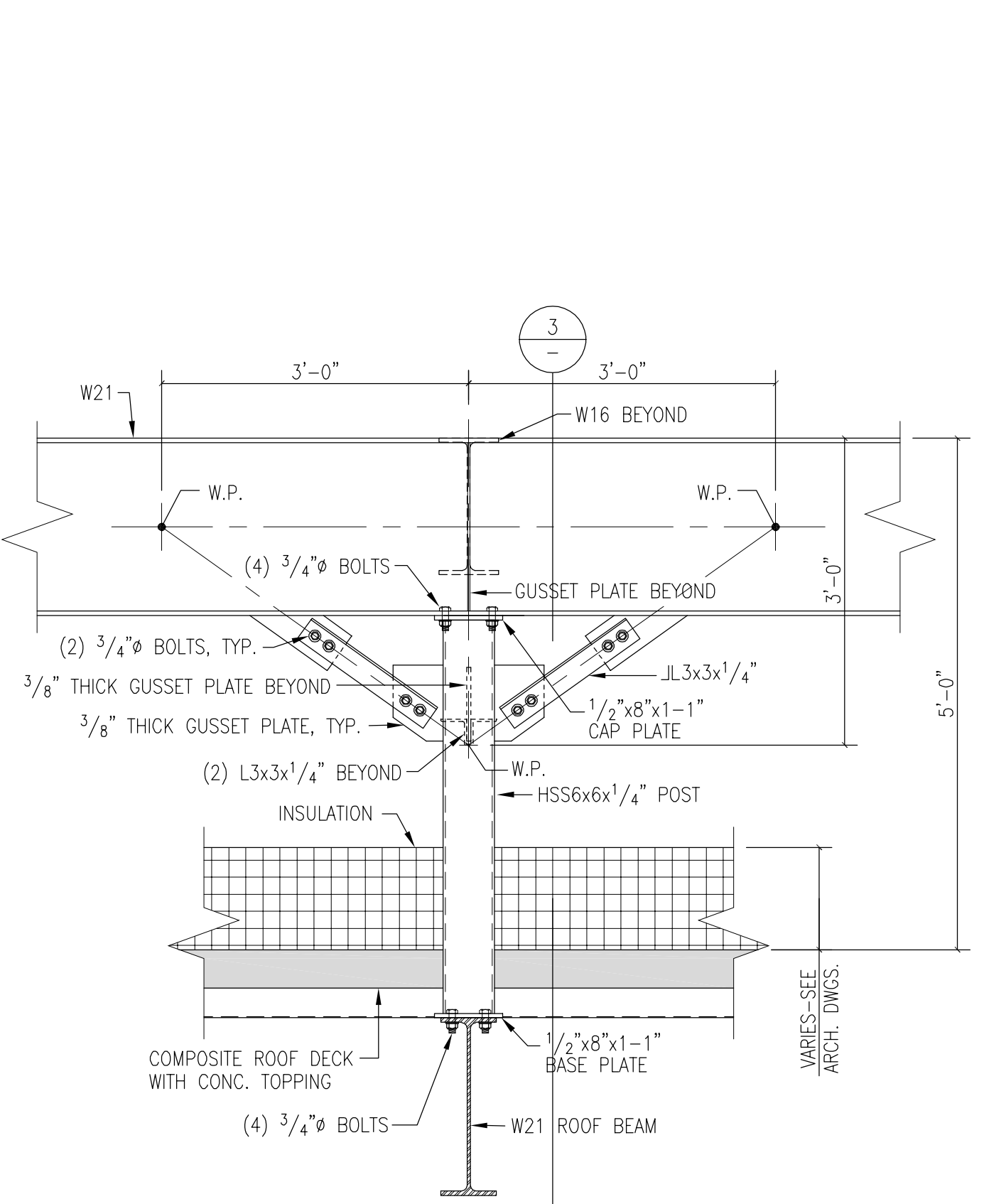
3 ELEVATION: COOLING TOWER DUNNAGE CROSS SECTION
3/4" = 1'-0"



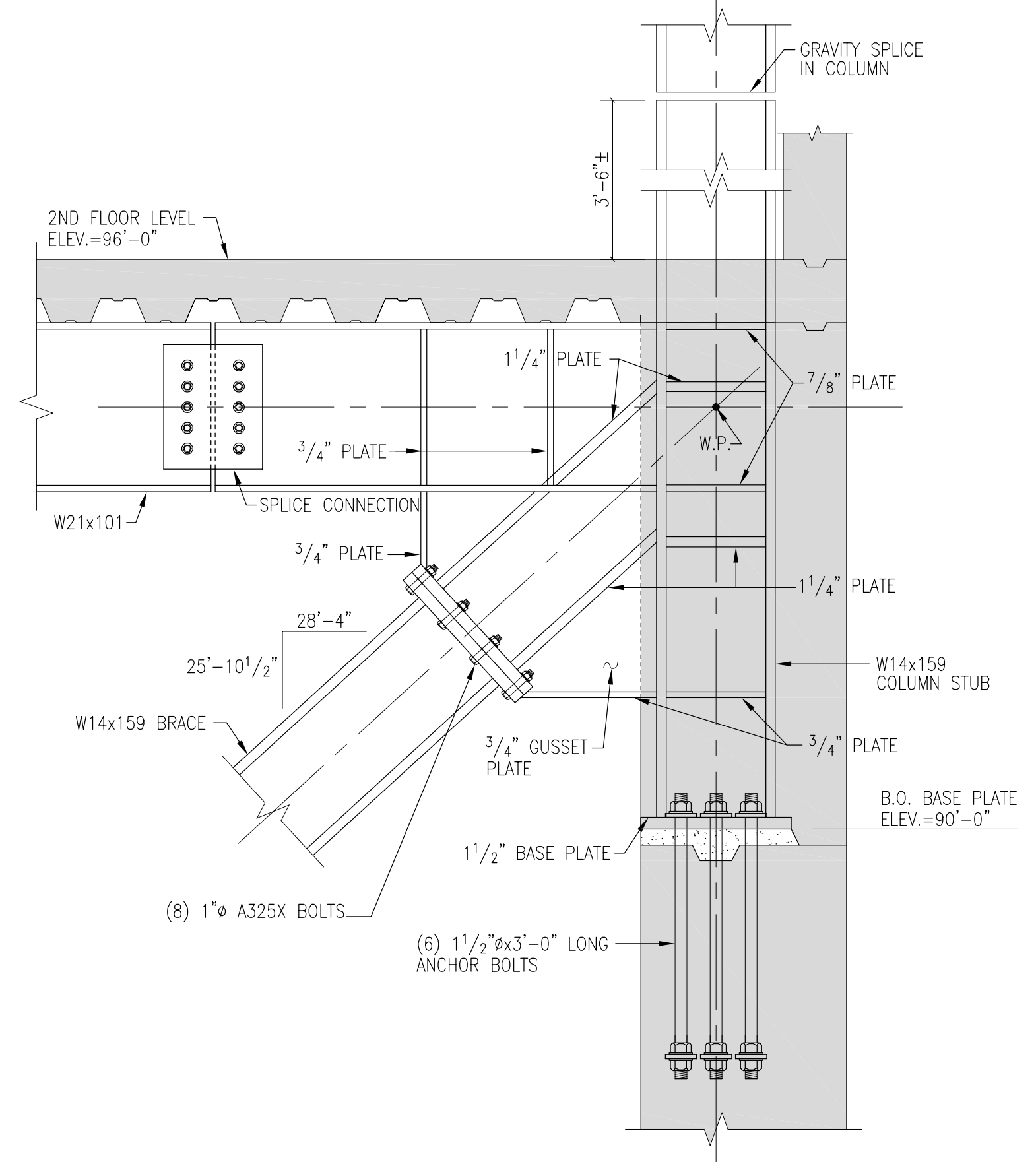
4 SECTION: SCREEN WALL FRAME CONNECTION
1 1/2" = 1'-0"



5 DETAIL: ROD CONNECTION
1 1/2" = 1'-0"



6 ELEVATION: COOLING TOWER DUNNAGE SUPPORT FRAME
3/4" = 1'-0"



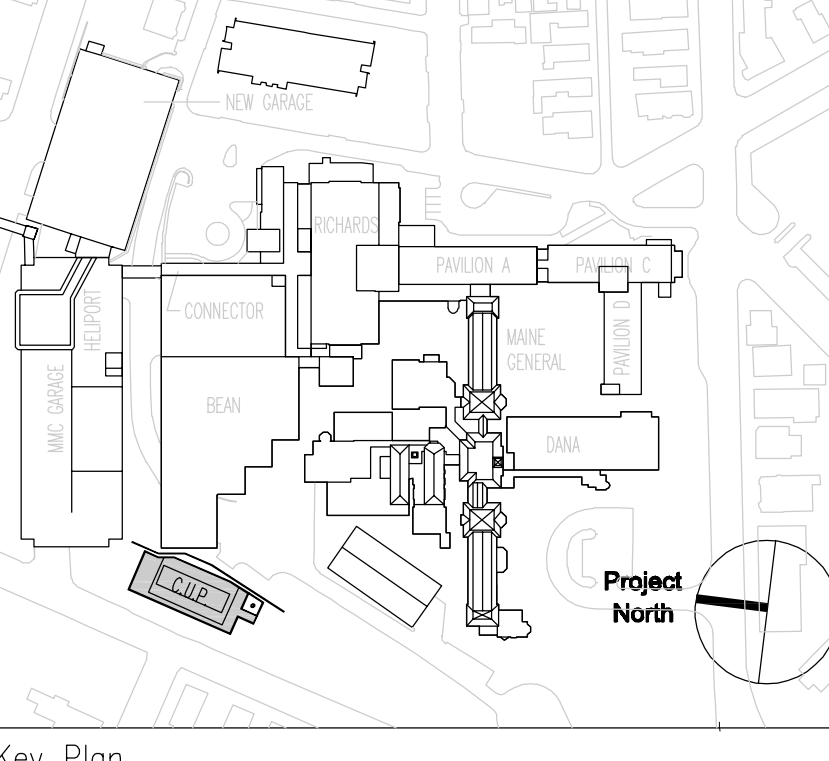
7 SECTION: DIAGONAL COMPRESSION BRACE CONNECTION
3/4" = 1'-0"

- General Notes:
- SEE ARCH. DRAWINGS FOR DETAILS OF METAL PANEL CLADDING ON OUTSIDE OF CUR. BLDG.
 - SEE ARCH. DRAWINGS FOR DETAILS OF LOUVERS AND METAL PANELS INCORPORATED INTO THE DESIGN OF THE SCREEN WALL.
 - SEE MECHANICAL DRAWINGS FOR INFORMATION PERTAINING TO COOLING TOWERS, ACCESS LADDERS AND METAL GRATE CATWALKS AND RAILINGS, ETC.
 - ALL STRUCTURAL STEEL DUNNAGE ABOVE ROOF SLAB SHALL BE HOT-DIP GALVANIZED, TYP.

SGH
Simpson Gumpertz & Heger Inc.
Consulting Engineers
Boston, MA 41 Bayon Street, Building 1, Suite 500, Waltham, MA 02453
San Francisco, CA The Landmark at One Market, Suite 600, San Francisco, CA 94105
Washington, DC 1855 Ploard Drive, Suite 225, Rockville, MD 20850
Telephone: (781) 907 9000, Facsimile: (781) 907 9009
Telephone: (415) 435 3700, Facsimile: (415) 435 3550
Telephone: (301) 417 0999, Facsimile: (301) 417 0965

MARK ISSUE DATE
FOR PERMIT ONLY - NOT FOR CONSTRUCTION

PERMIT 09/24/04 PERMIT SET - NOT FOR CONSTRUCTION
Issue Log

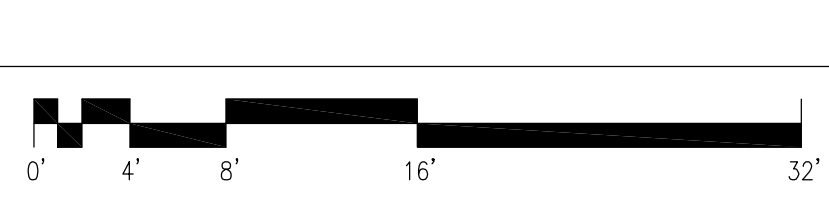


Key Plan

TRO
ARCHITECTURE
PLANNING
ENGINEERING
INTERIOR DESIGN
The Ritchie Organization
80 Bridge Street
Newton, MA 02459-1154
617-869-9400

Maine Medical Center
Central Utility Plant
Portland, Maine

Drawing Title
**CENTRAL UTILITY PLANT (CUP)
ELEVATIONS AND SECTIONS**



Commission No. 4677 Date Issued 24 SEPTEMBER 2004
Scale AS NOTED Sheet Number
Drawn By SWW/RWS/KEW
Approved By JHT/AJD
Filename S502
Copyright © 2004 The Ritchie Organization
S502